



US00D681101S

(12) **United States Design Patent**  
**Reid**

(10) **Patent No.:** **US D681,101 S**

(45) **Date of Patent:** **\*\* Apr. 30, 2013**

(54) **DIVING MASK STRAP HAVING A CENTER APERTURE**

(76) Inventor: **Jeff Reid**, Dunedin, FL (US)

(\*\*) Term: **14 Years**

(21) Appl. No.: **29/386,394**

(22) Filed: **Feb. 28, 2011**

(51) **LOC (9) Cl.** ..... **16-06**

(52) **U.S. Cl.**  
USPC ..... **D16/339**

(58) **Field of Classification Search** ..... D16/101,  
D16/300-342, 900; D29/109-110; D24/110.2;  
351/41, 44, 51-52, 62, 158, 92, 103-123,  
351/140, 153, 45-46; 2/426-432, 447-449,  
2/441, 434-437, 13, 15; D21/483, 659-661;  
D14/372

See application file for complete search history.

(56) **References Cited**

**U.S. PATENT DOCUMENTS**

4,910,806	A *	3/1990	Baker et al.	2/452
D326,933	S *	6/1992	Feder	D16/339
5,329,643	A *	7/1994	Sato	2/428
D352,950	S *	11/1994	Rasocha	D16/303

D361,081	S *	8/1995	Pardinas	D16/339
D377,039	S *	12/1996	Minamidani	D16/311
D388,452	S *	12/1997	Dreyfus	D16/339
6,115,849	A *	9/2000	Meyerrose	2/452
6,428,167	B1 *	8/2002	Leonardi	351/157
D466,543	S *	12/2002	Beames	D16/311
D484,170	S *	12/2003	Zorkendorfer	D16/312
D608,815	S *	1/2010	Markovitch	D16/301

\* cited by examiner

*Primary Examiner* — Raphael Barkai

(74) *Attorney, Agent, or Firm* — Gulf Coast Intellectual Property Group

(57) **CLAIM**

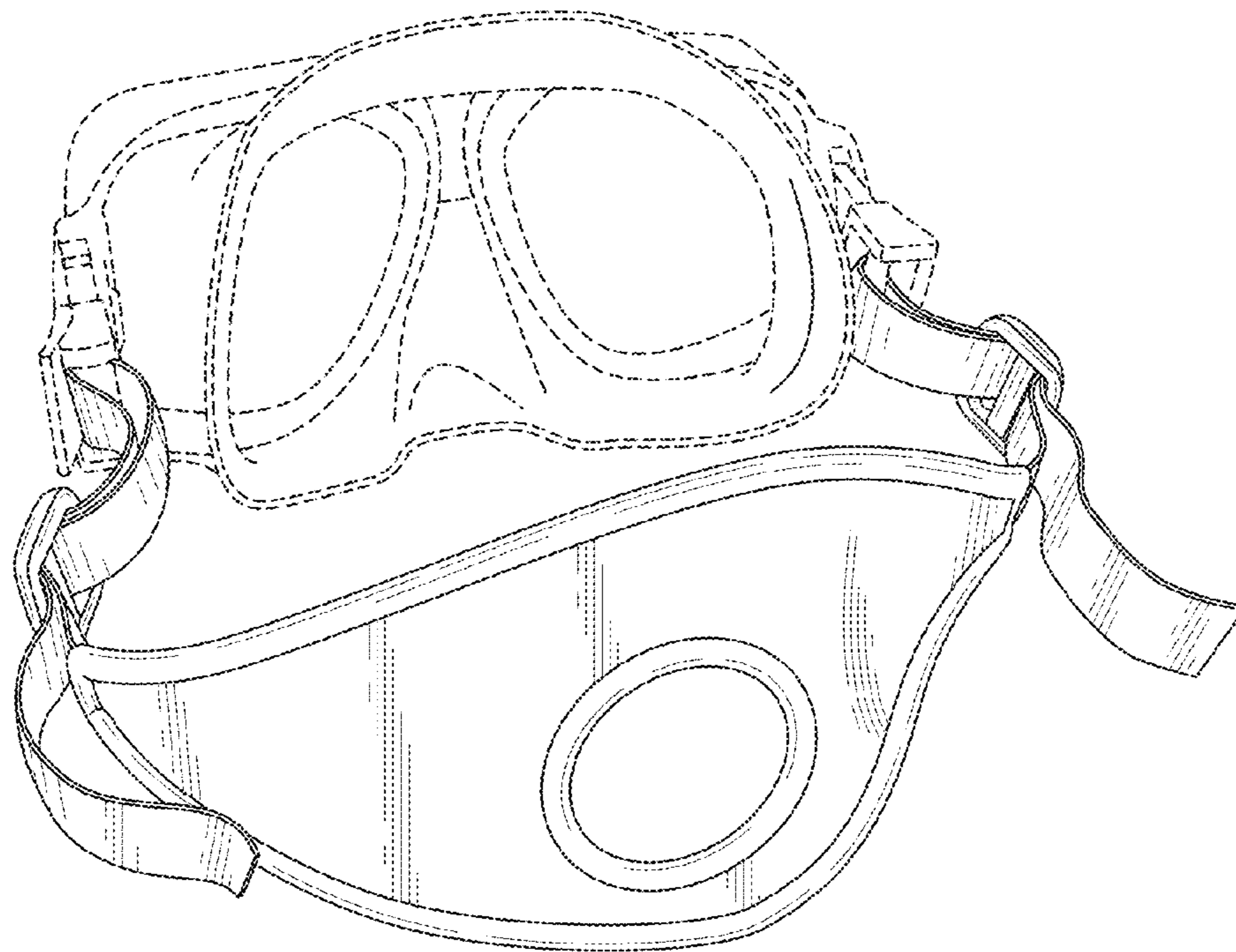
The ornamental design for a diving mask strap having a center aperture, as shown and described.

**DESCRIPTION**

FIG. 1 is a perspective view thereof; and FIG. 2 is a side planar view thereof; and FIG. 3 is a front side view thereof; and, FIG. 4 is a rear side view thereof.

The broken lines showing of parts of the drawings is included for the purpose of illustrating use and environment and forms no part of the claimed design.

**1 Claim, 2 Drawing Sheets**



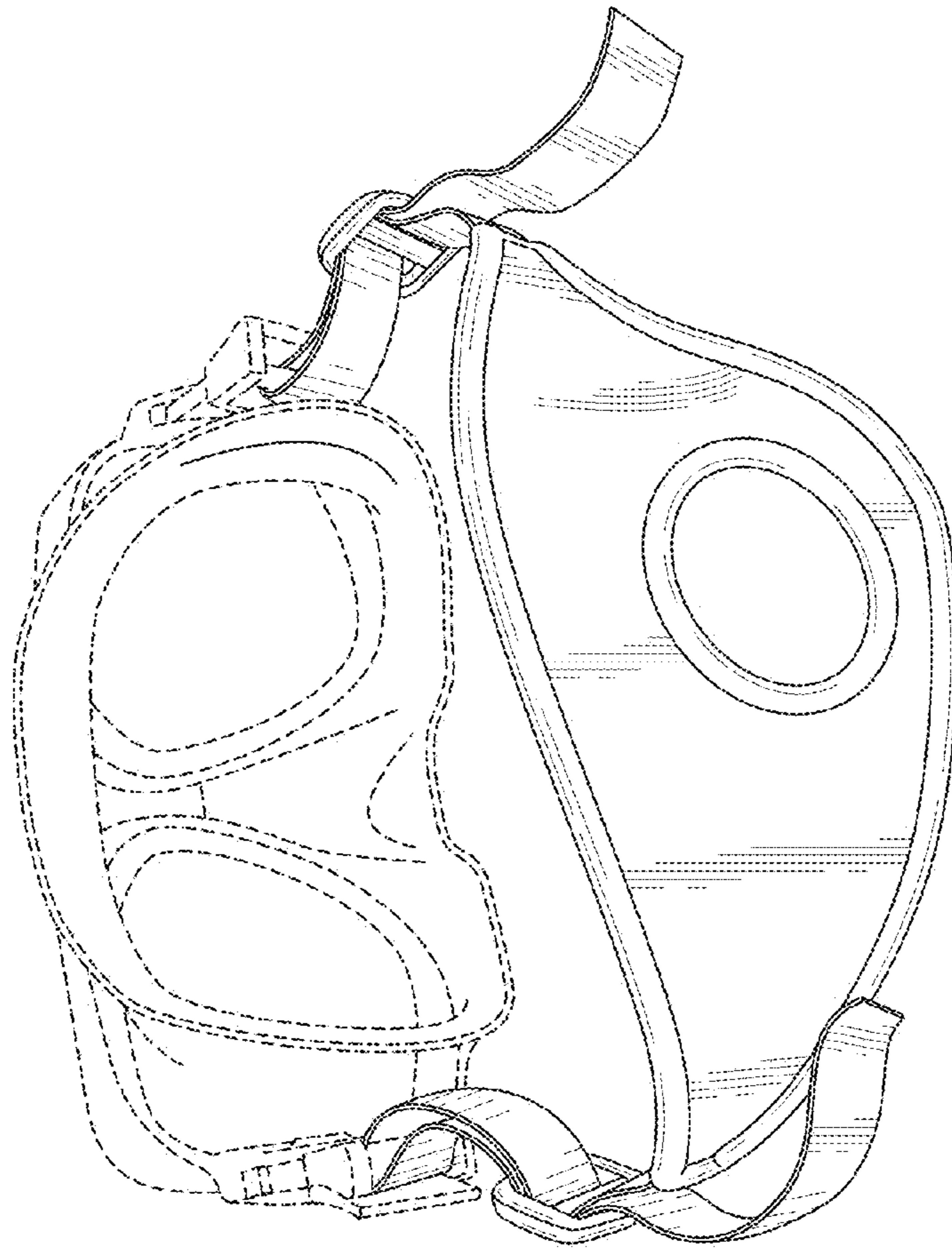


FIG. 1

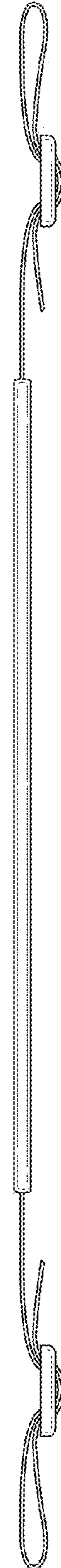


FIG. 2

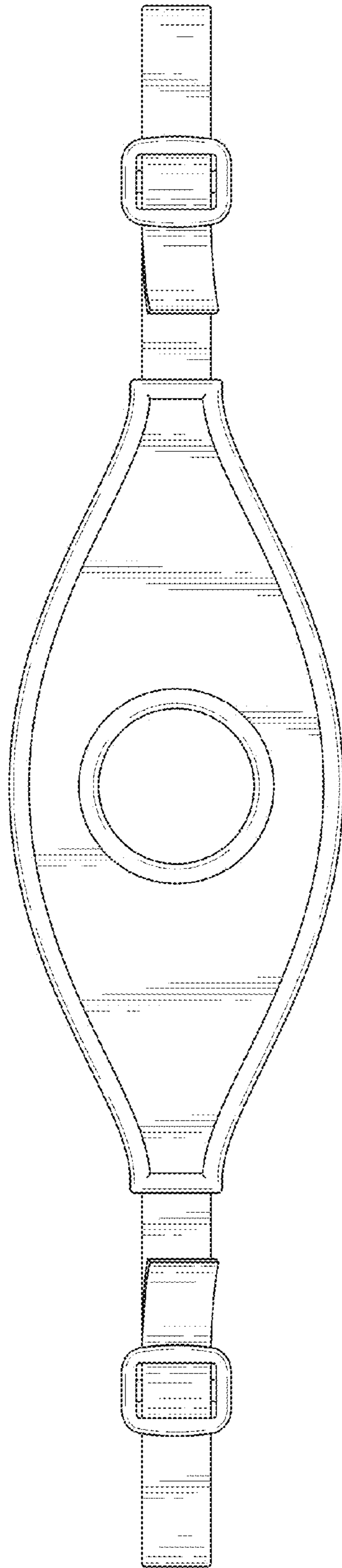


FIG. 3

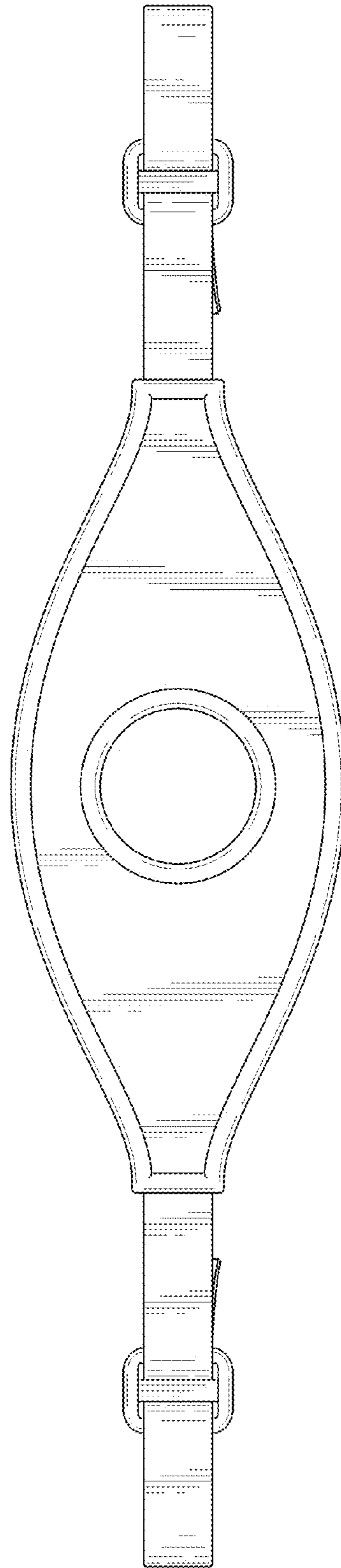


FIG. 4