



US00D681091S

(12) **United States Design Patent**
Morita et al.

(10) **Patent No.:** **US D681,091 S**
(45) **Date of Patent:** **** Apr. 30, 2013**

(54) **PROJECTOR**

(75) Inventors: **Akio Morita**, Tokyo (JP); **Mitsuhiro Shimizu**, Tokyo (JP); **Katsura Yamamoto**, Tokyo (JP)

(73) Assignee: **NEC Display Solutions, Ltd.**, Tokyo (JP)

(**) Term: **14 Years**

(21) Appl. No.: **29/417,702**

(22) Filed: **Apr. 6, 2012**

(30) **Foreign Application Priority Data**

Oct. 7, 2011 (JP) 2011-23164

(51) **LOC (9) Cl.** **16-02**

(52) **U.S. Cl.**
USPC **D16/230; D16/225**

(58) **Field of Classification Search** D16/221,
D16/225, 230-231, 234; D21/514; 353/98,
353/115, 119, 122

See application file for complete search history.

(56) **References Cited**

U.S. PATENT DOCUMENTS

D574,874 S * 8/2008 Suzuki et al. D16/225
D602,062 S * 10/2009 Tataro D16/230

D623,678 S * 9/2010 Nakayama et al. D16/225
D644,680 S * 9/2011 Suzuki D16/230
D647,941 S * 11/2011 Yuyama D16/230
D656,174 S * 3/2012 Ogawa et al. D16/230
D663,760 S * 7/2012 Miyauchi et al. D16/230
2010/0321644 A1* 12/2010 Otsuki et al. 353/98
2010/0321646 A1* 12/2010 Nakano et al. 353/119
2011/0128510 A1* 6/2011 Matsumoto et al. 353/98
2011/0279787 A1* 11/2011 Yoshimura et al. 353/98
2012/0307214 A1* 12/2012 Koyama et al. 353/98

* cited by examiner

Primary Examiner — Wan Laymon

(74) *Attorney, Agent, or Firm* — Sughrue Mion, PLLC

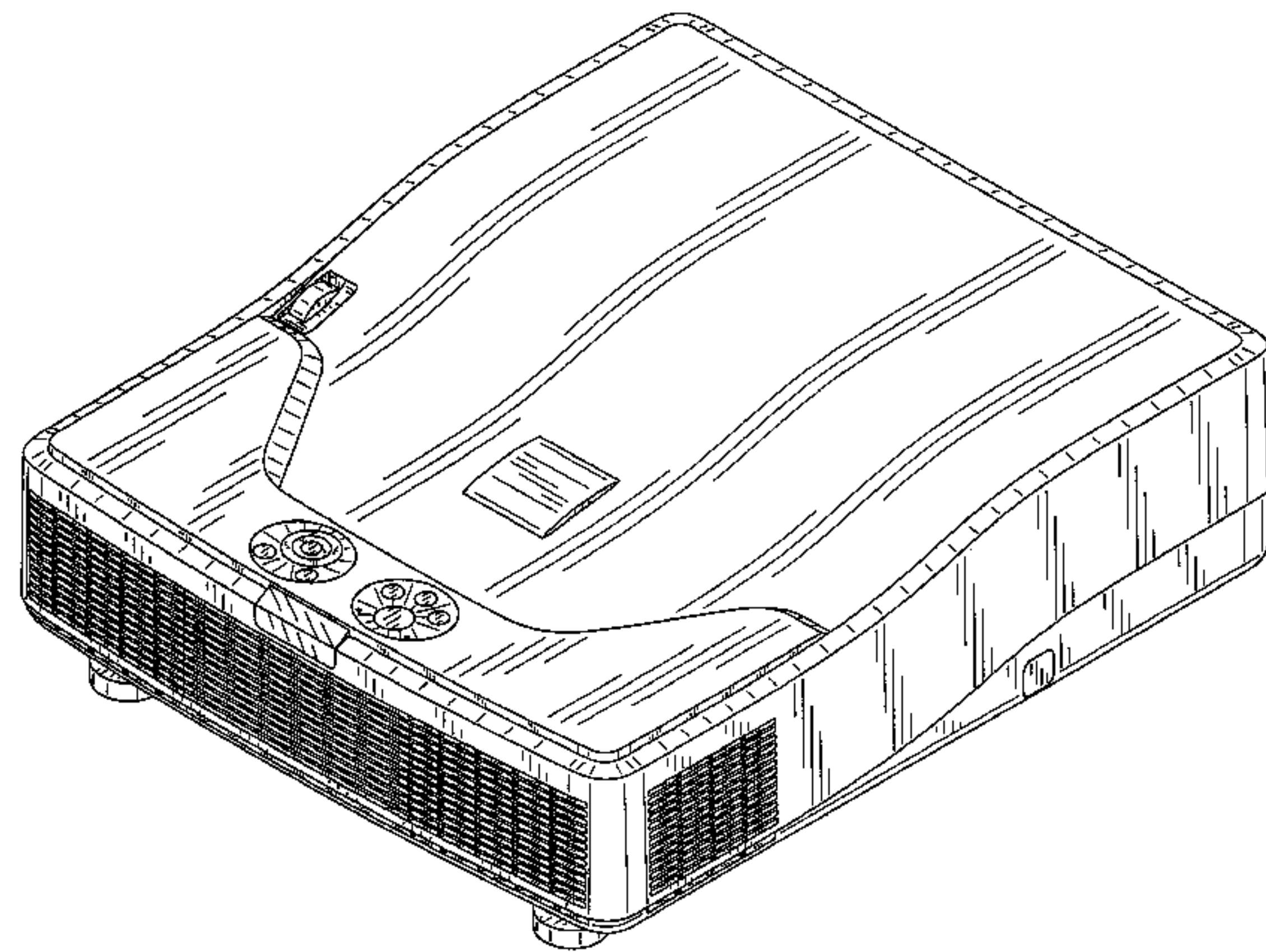
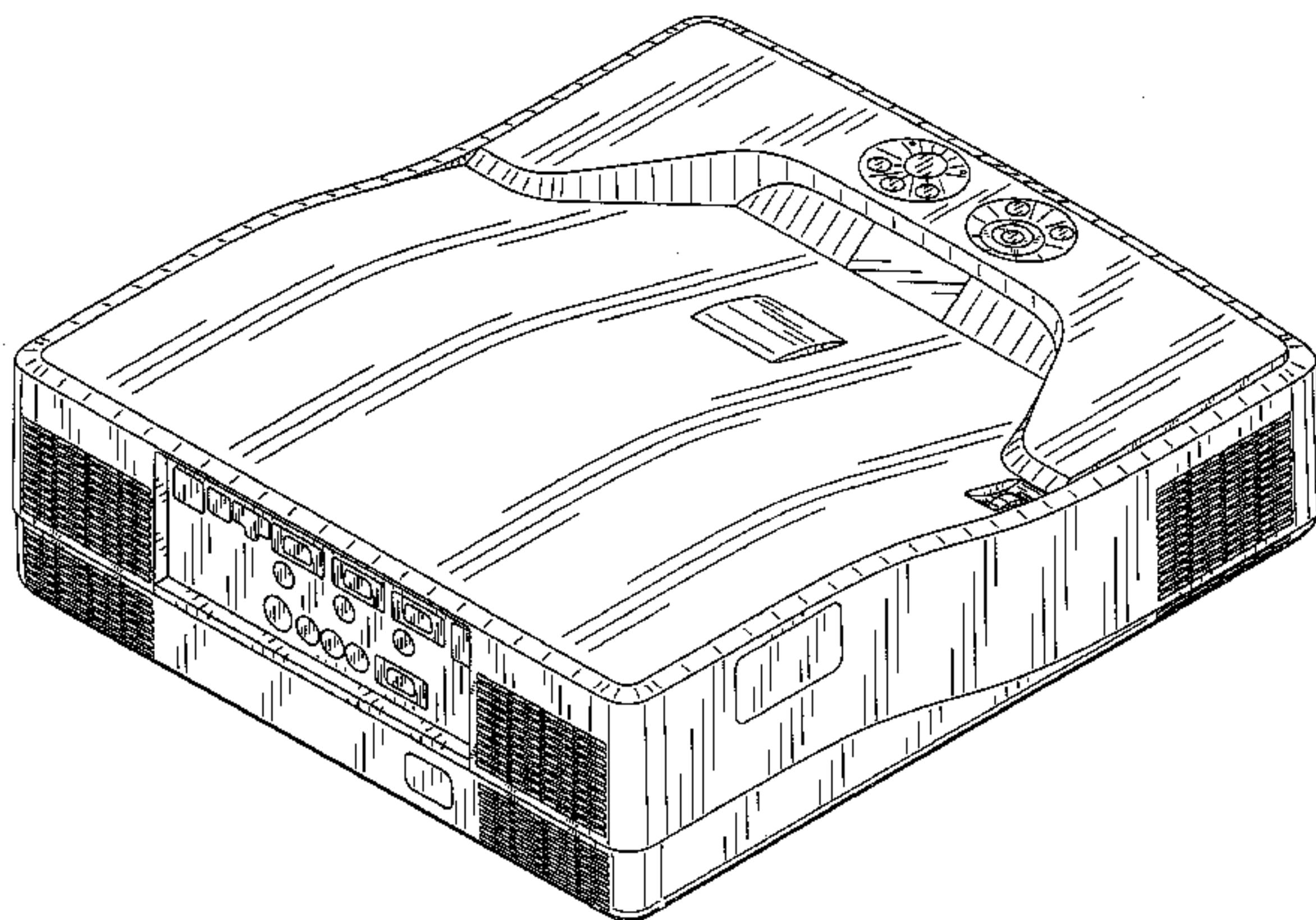
(57) **CLAIM**

The ornamental design for a projector, as shown and described.

DESCRIPTION

FIG. 1 is a front, right side, bottom perspective view of a projector showing our new design; FIG. 2 is a front elevational view thereof; FIG. 3 is a rear elevational view thereof; FIG. 4 is a left side view thereof; FIG. 5 is a right side view thereof; FIG. 6 is a top plan view thereof; FIG. 7 is a bottom plan view thereof; and, FIG. 8 is a front, left side, top perspective view thereof.

1 Claim, 7 Drawing Sheets



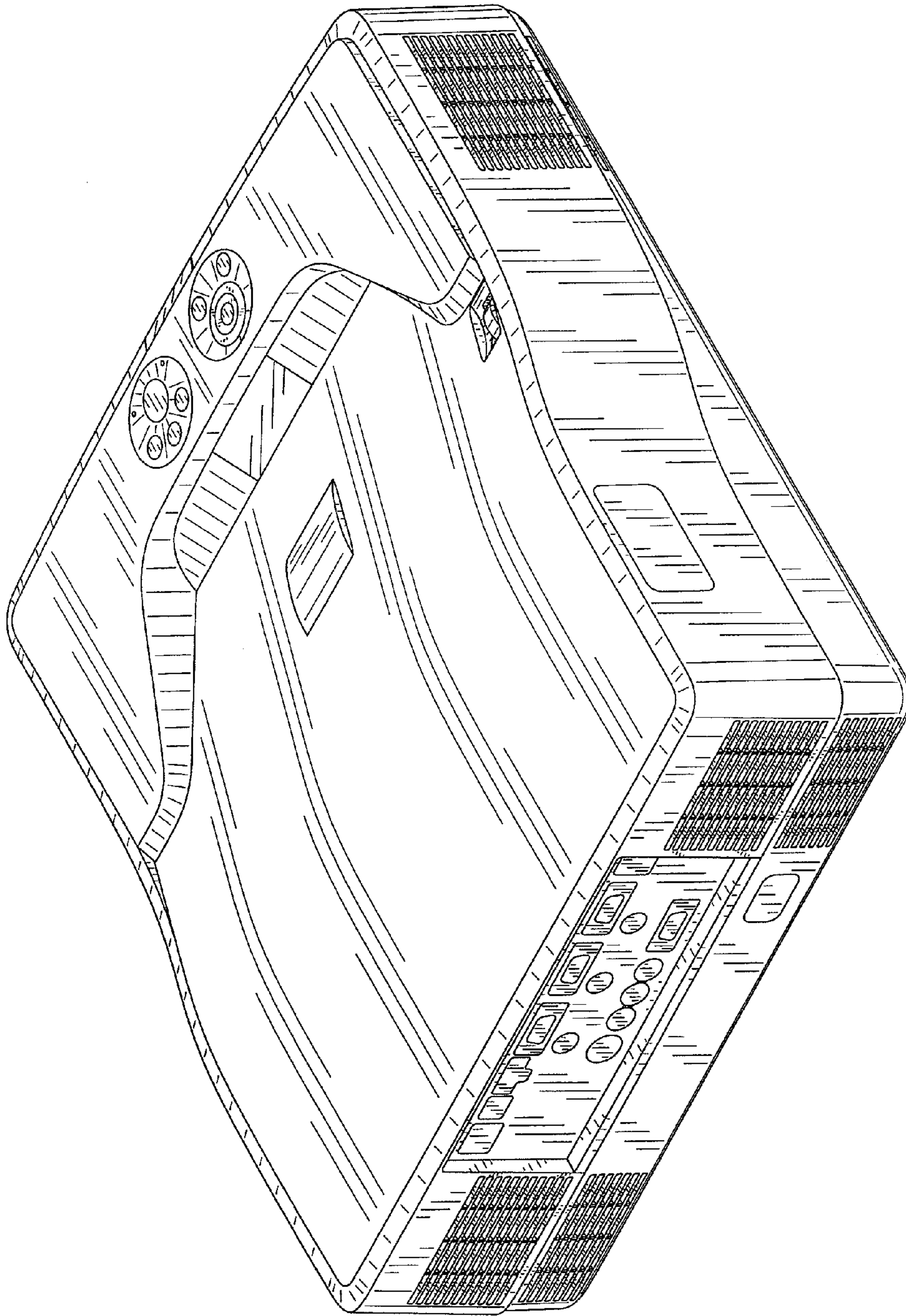


FIG. 1

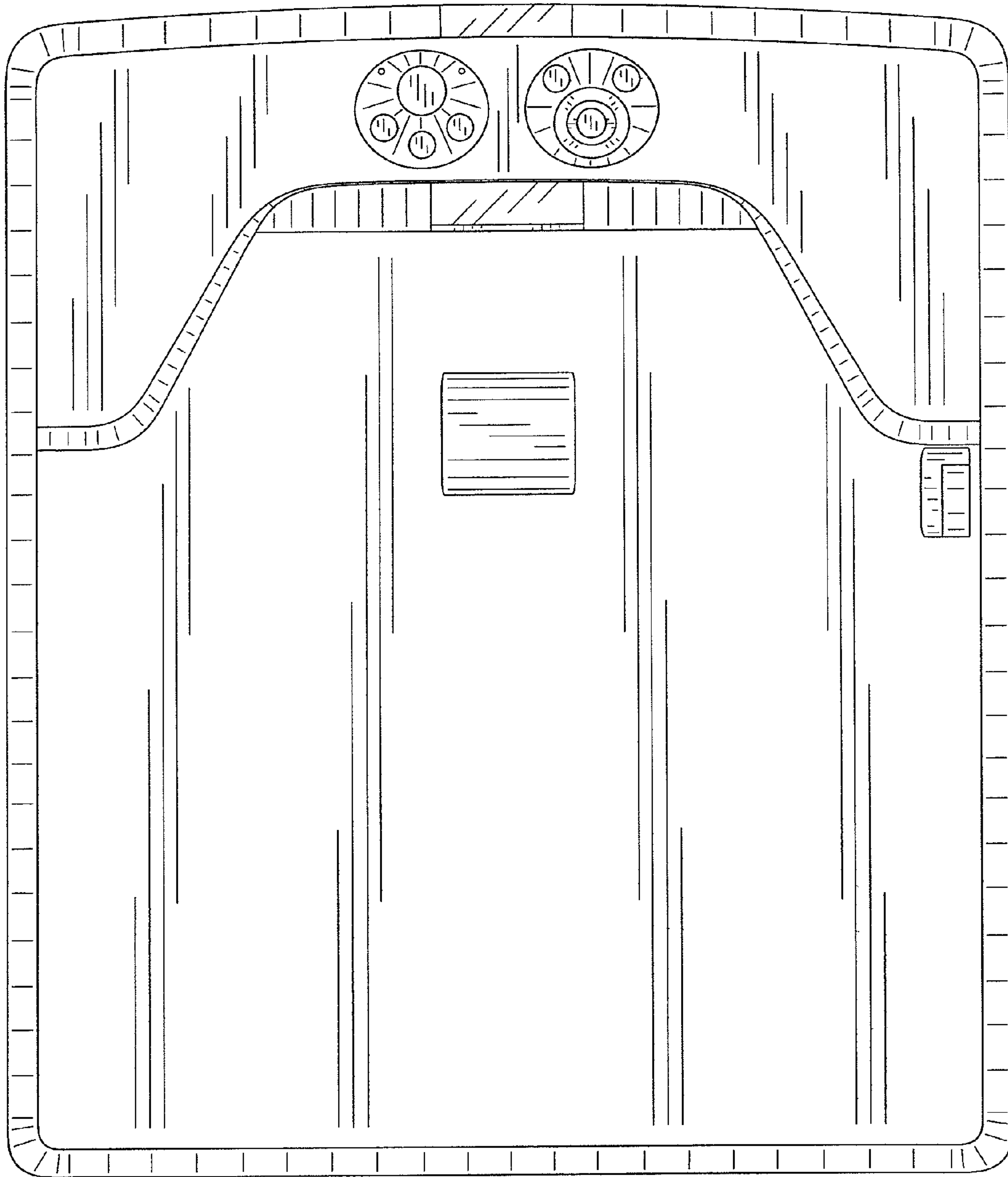


FIG. 2

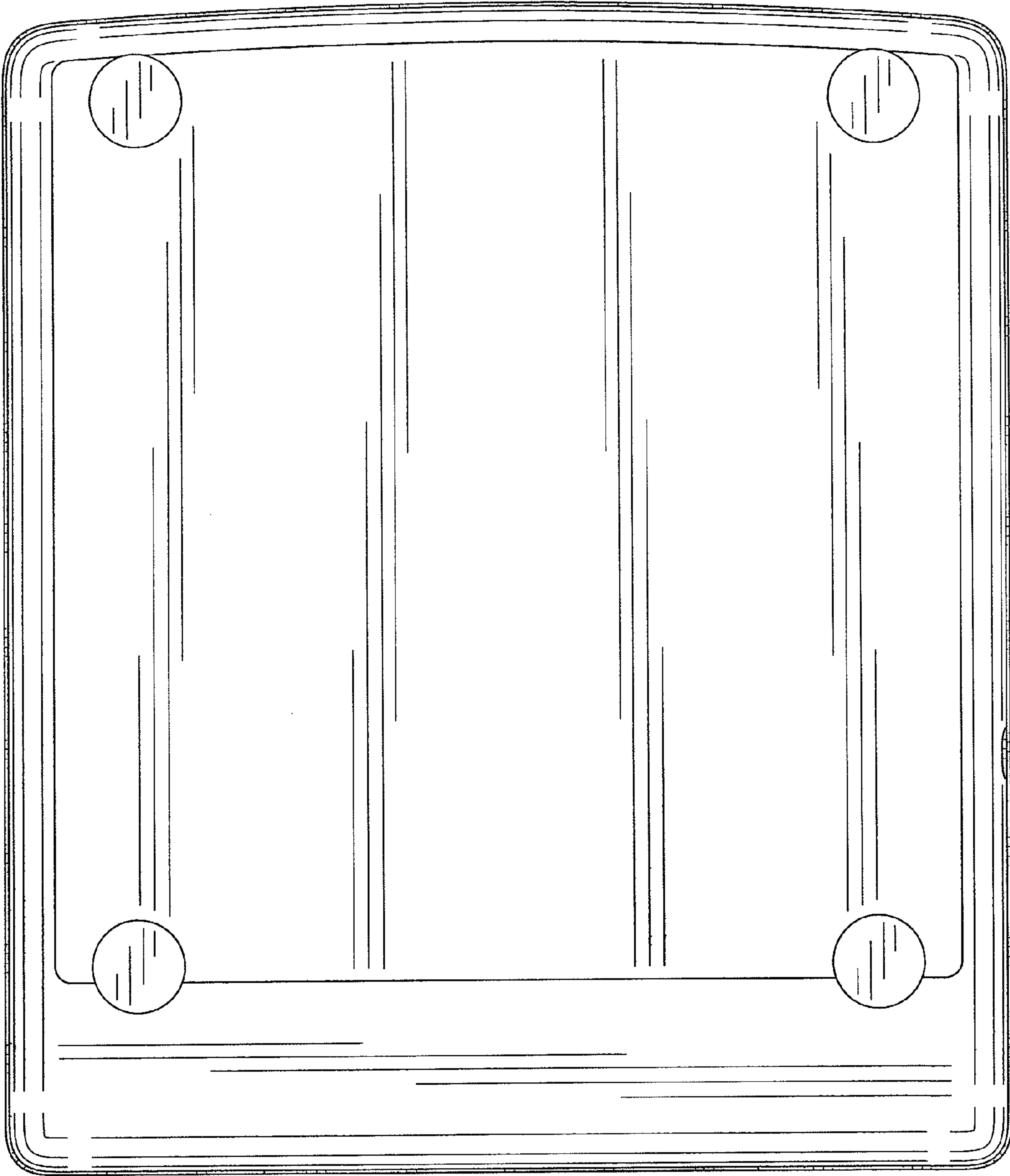


FIG. 3

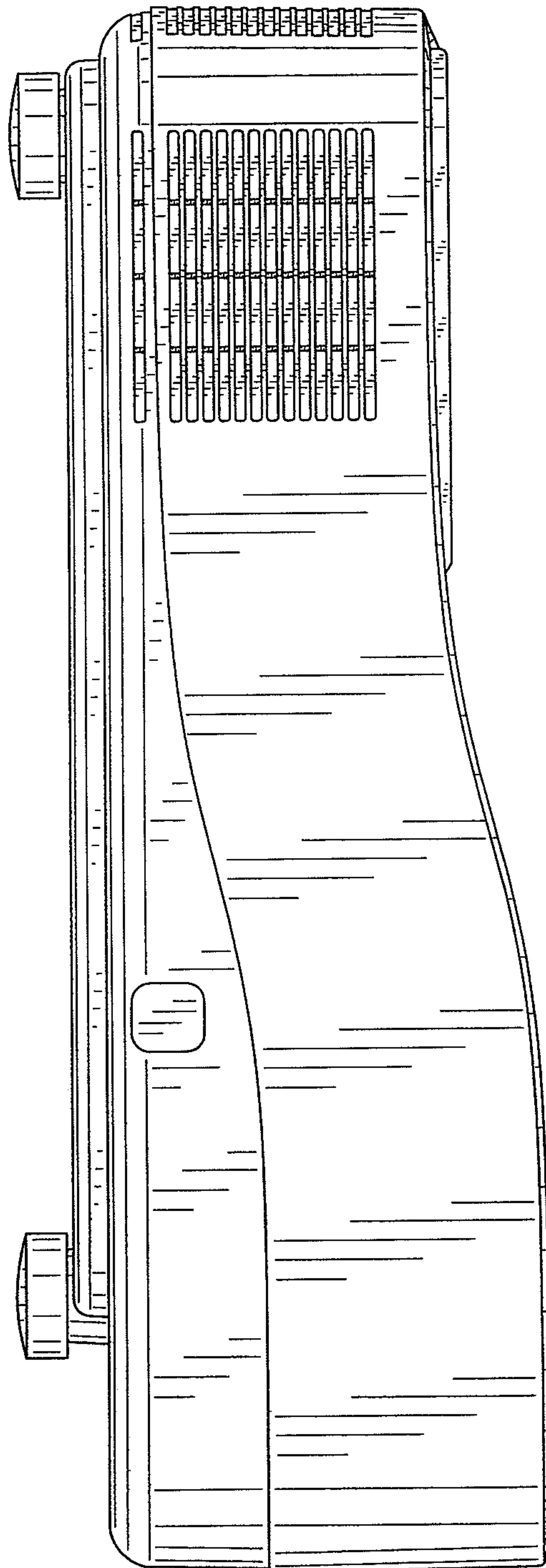


FIG. 4

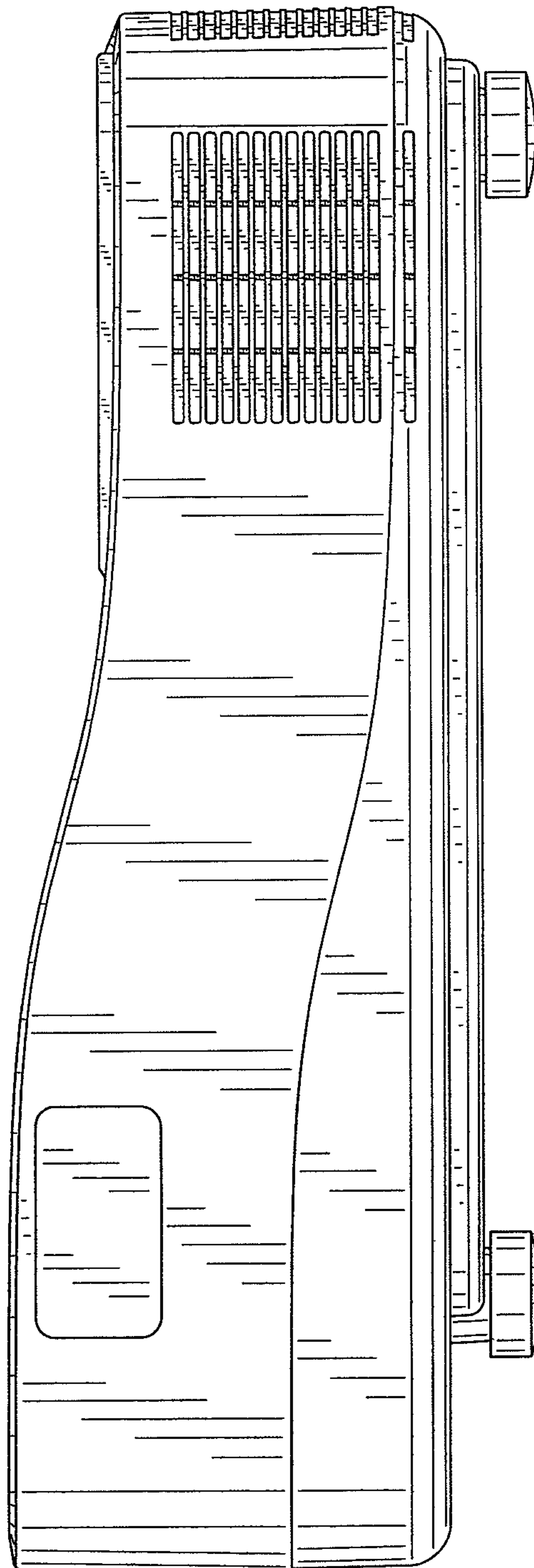


FIG. 5

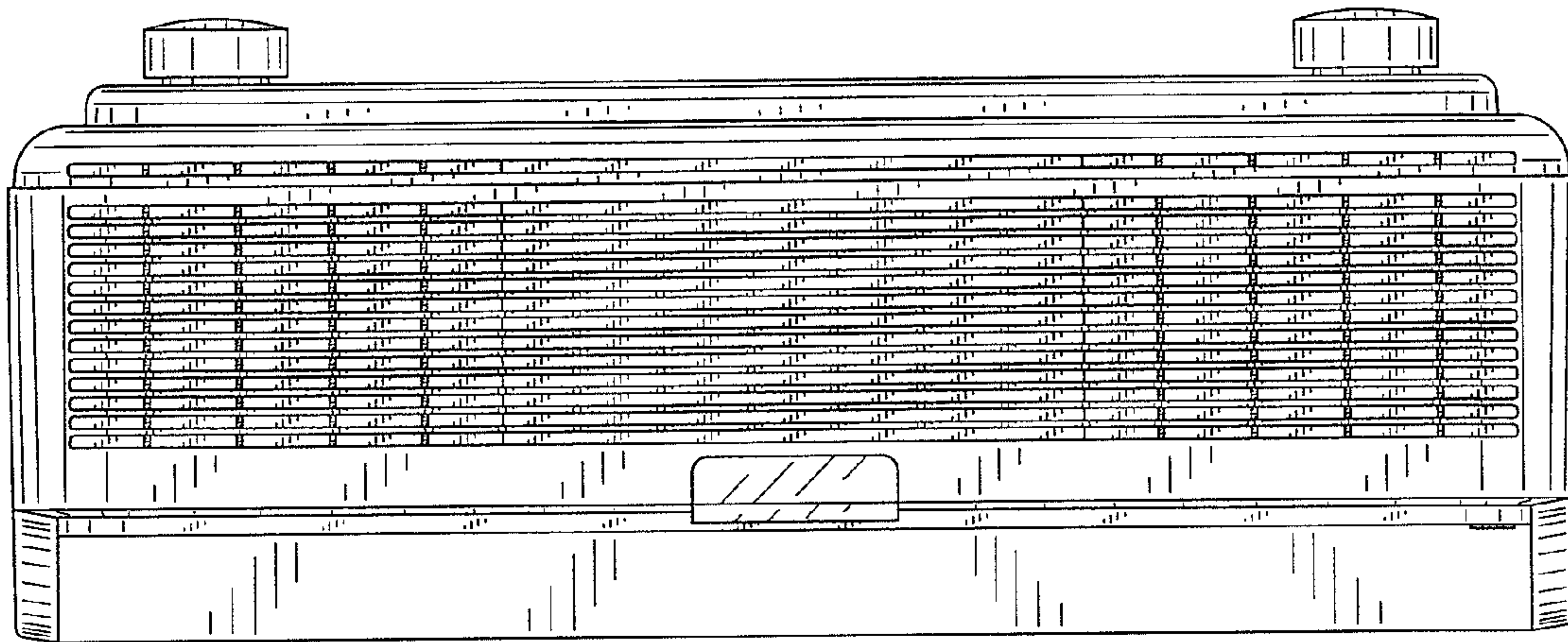


FIG. 6

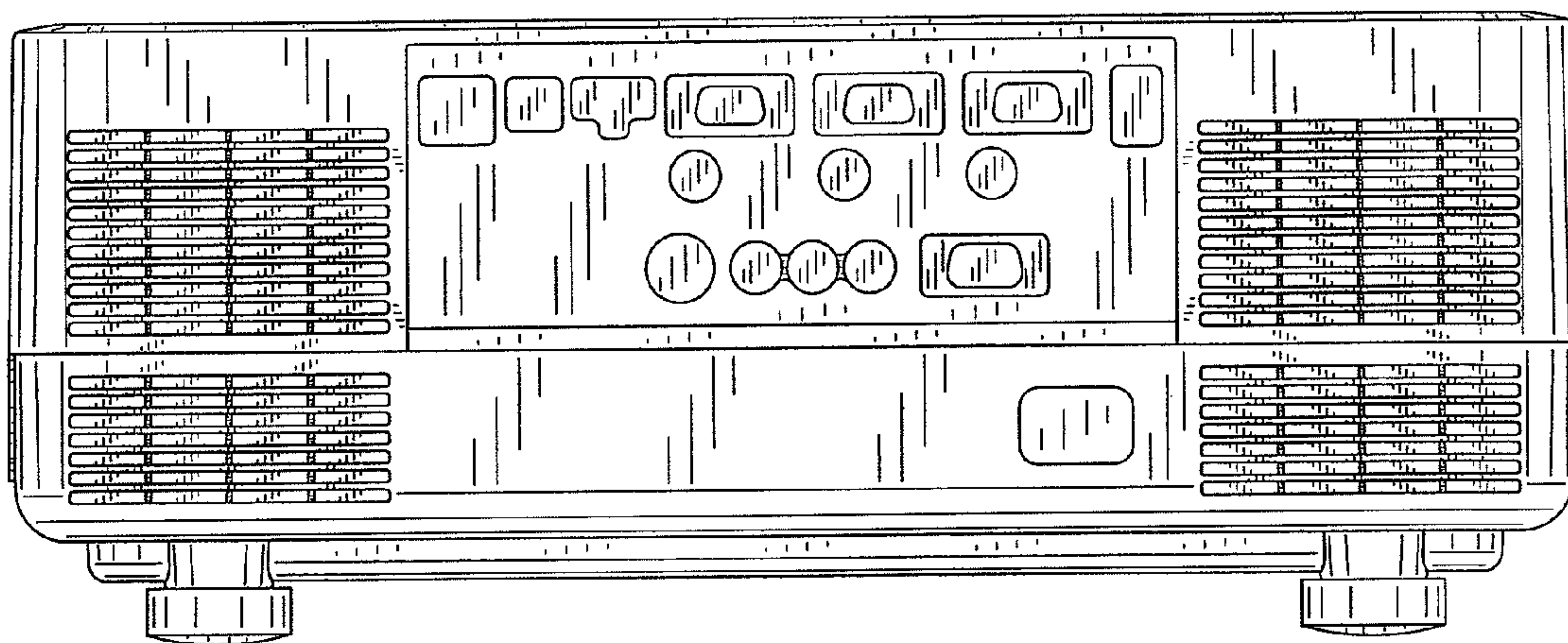


FIG. 7

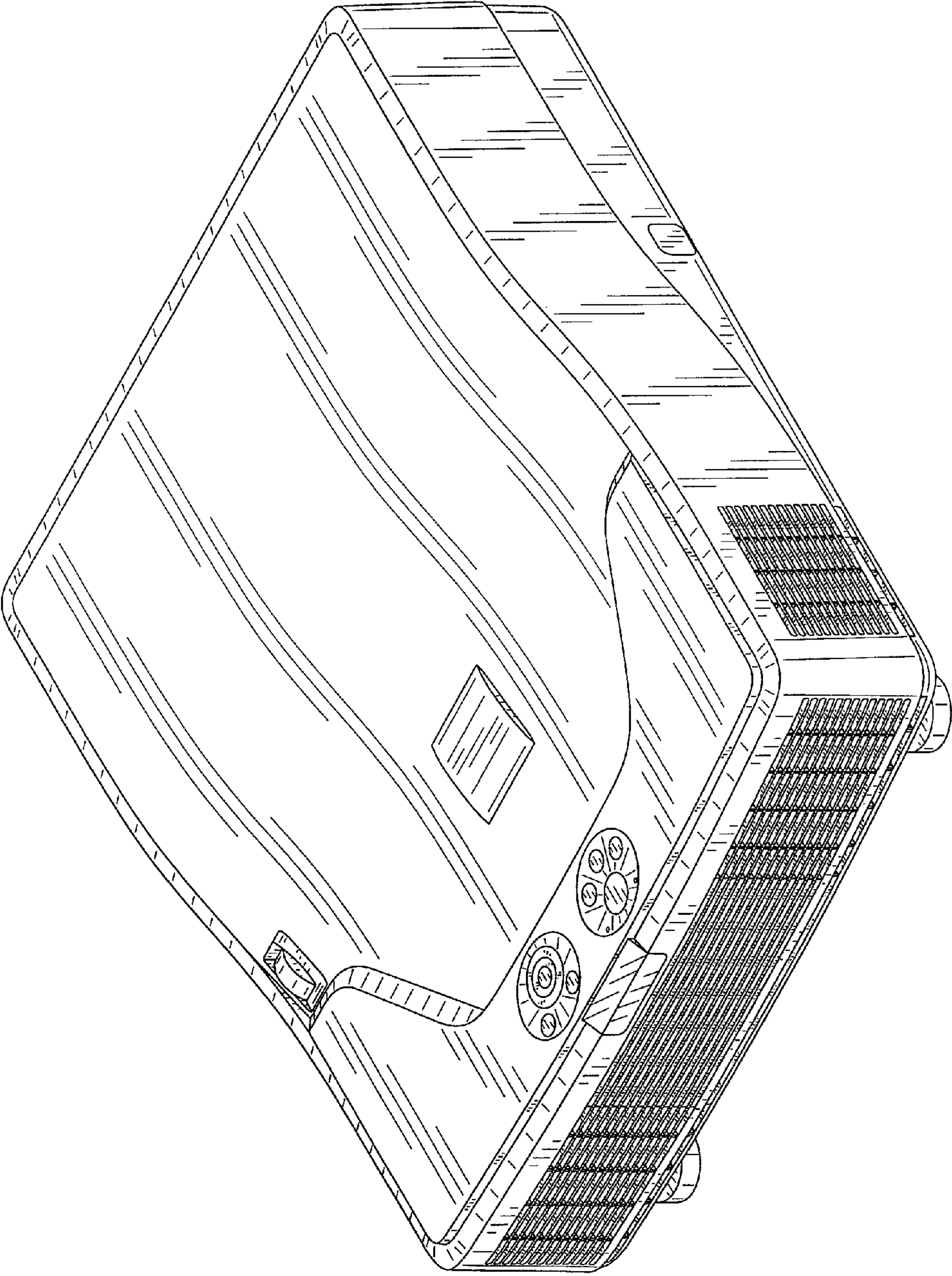


FIG. 8