



US00D681090S

(12) **United States Design Patent**
Tainaka

(10) **Patent No.:** **US D681,090 S**
(45) **Date of Patent:** **** Apr. 30, 2013**

(54) **DIGITAL CAMERA BODY OF LENS
REPLACING TYPE**

(75) Inventor: **Daisuke Tainaka**, Hachioji (JP)

(73) Assignee: **Olympus Imaging Corp.**, Tokyo (JP)

(**) Term: **14 Years**

(21) Appl. No.: **29/416,835**

(22) Filed: **Mar. 27, 2012**

(30) **Foreign Application Priority Data**

Jan. 24, 2012 (JP) 2012-001247

Jan. 24, 2012 (JP) 2012-001248

(51) **LOC (9) Cl.** **16-01**

(52) **U.S. Cl.**
USPC **D16/200; D16/217**

(58) **Field of Classification Search** D16/200,
D16/202, 204, 217, 218; 348/373; 396/354-359,
396/529, 535, 540, 541

See application file for complete search history.

(56) **References Cited**

U.S. PATENT DOCUMENTS

D253,475	S *	11/1979	Kramer et al.	D16/217
D266,332	S *	9/1982	Schultes et al.	D16/217
D491,593	S *	6/2004	Haga	D16/202
7,182,529	B2 *	2/2007	Kurosawa	396/358
D558,812	S *	1/2008	Takahashi	D16/217
D561,806	S *	2/2008	Funakoshi et al.	D16/217
7,690,852	B2 *	4/2010	Kato et al.	396/529

* cited by examiner

Primary Examiner — Adir Aronovich

(74) *Attorney, Agent, or Firm* — Holtz, Holtz, Goodam & Chick, P.C.

(57) **CLAIM**

The ornamental design for a digital camera body of lens replacing type, as shown.

DESCRIPTION

FIG. 1 is a front, top and right side perspective view of a digital camera body of lens replacing type showing my new design;

FIG. 2 is a front elevational view thereof;

FIG. 3 is a rear elevational view thereof;

FIG. 4 is a top plan view thereof;

FIG. 5 is a bottom plan view thereof;

FIG. 6 is a right side elevational view thereof; and,

FIG. 7 is a left side elevational view thereof.

1 Claim, 6 Drawing Sheets

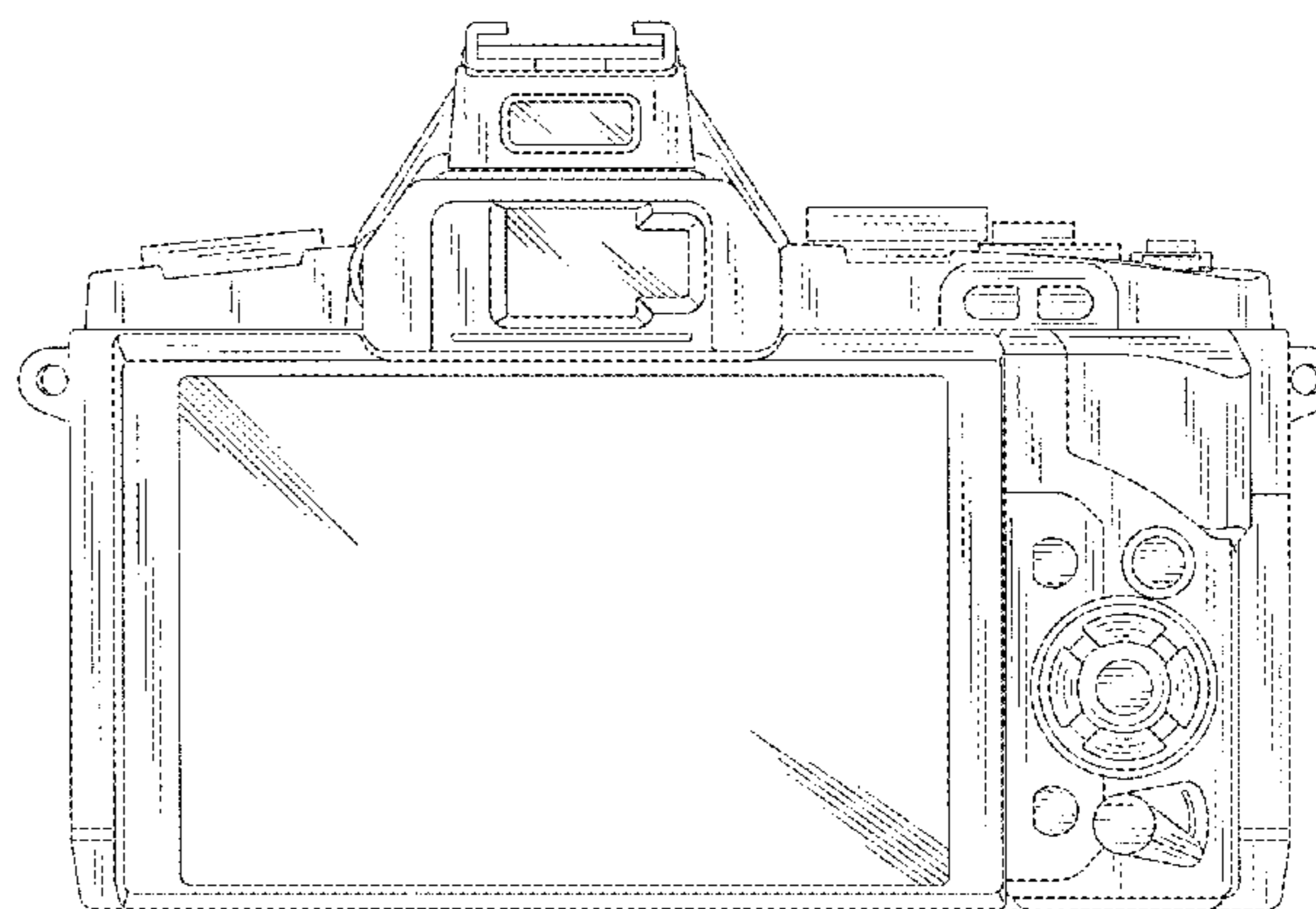
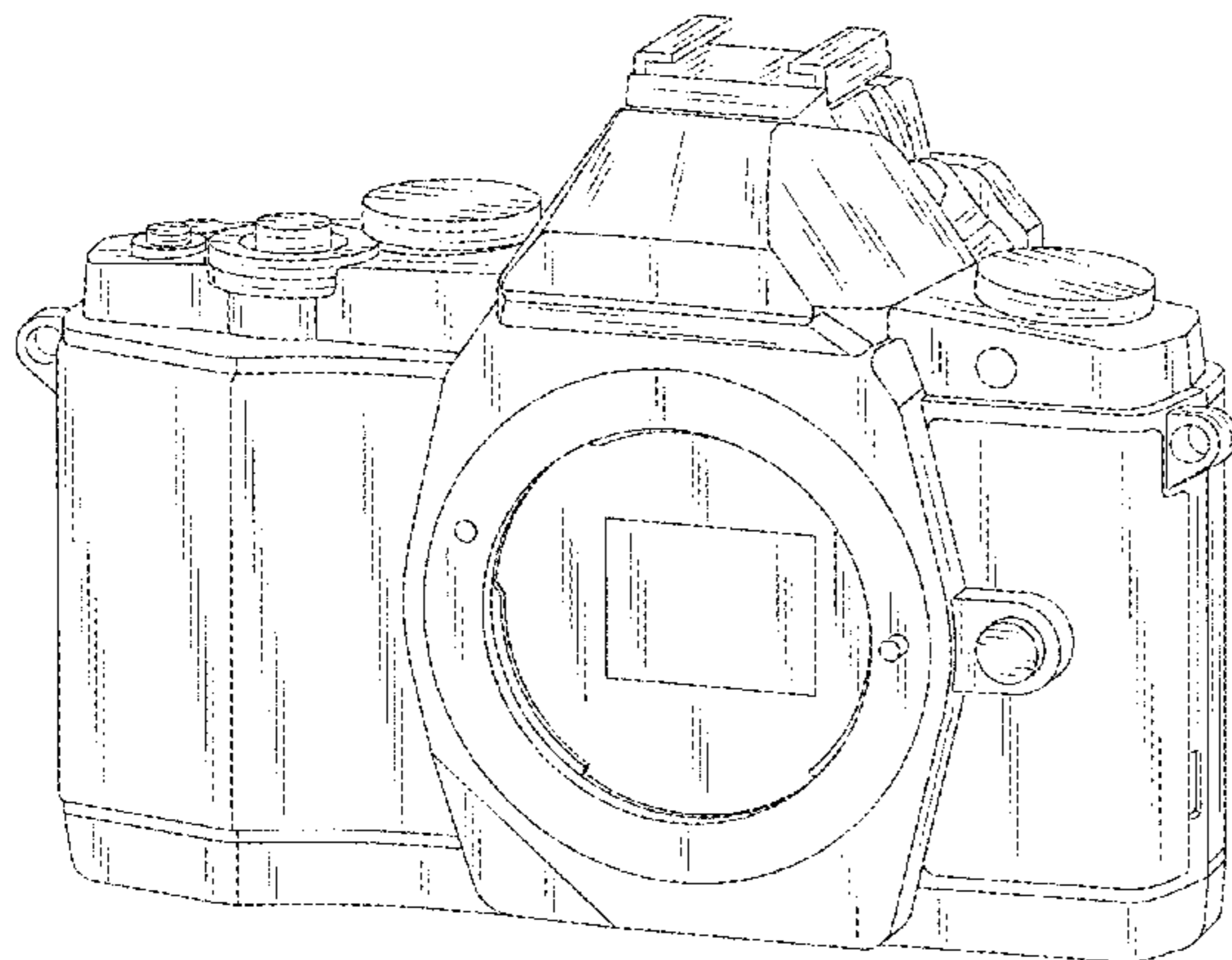


FIG.1

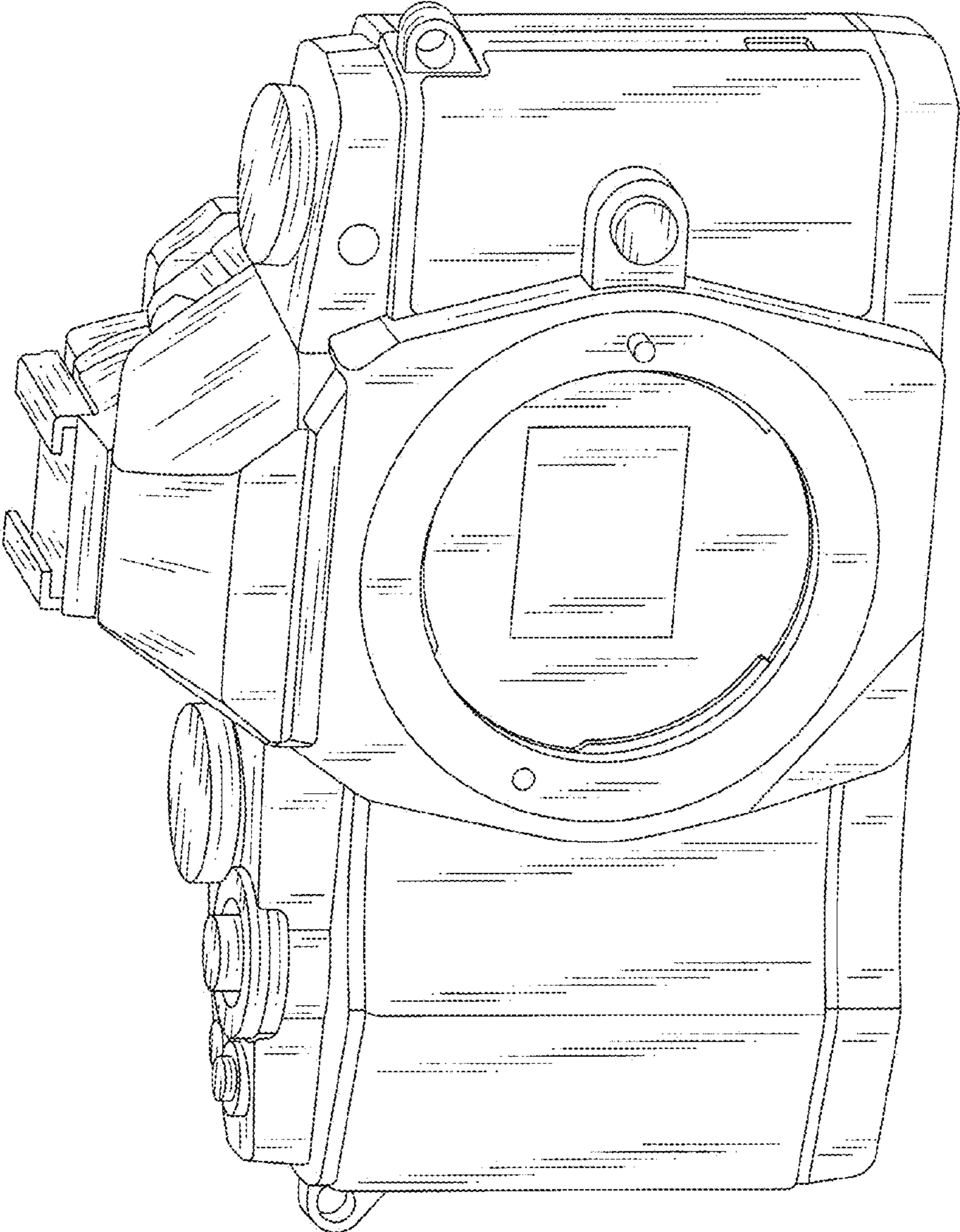


FIG.2

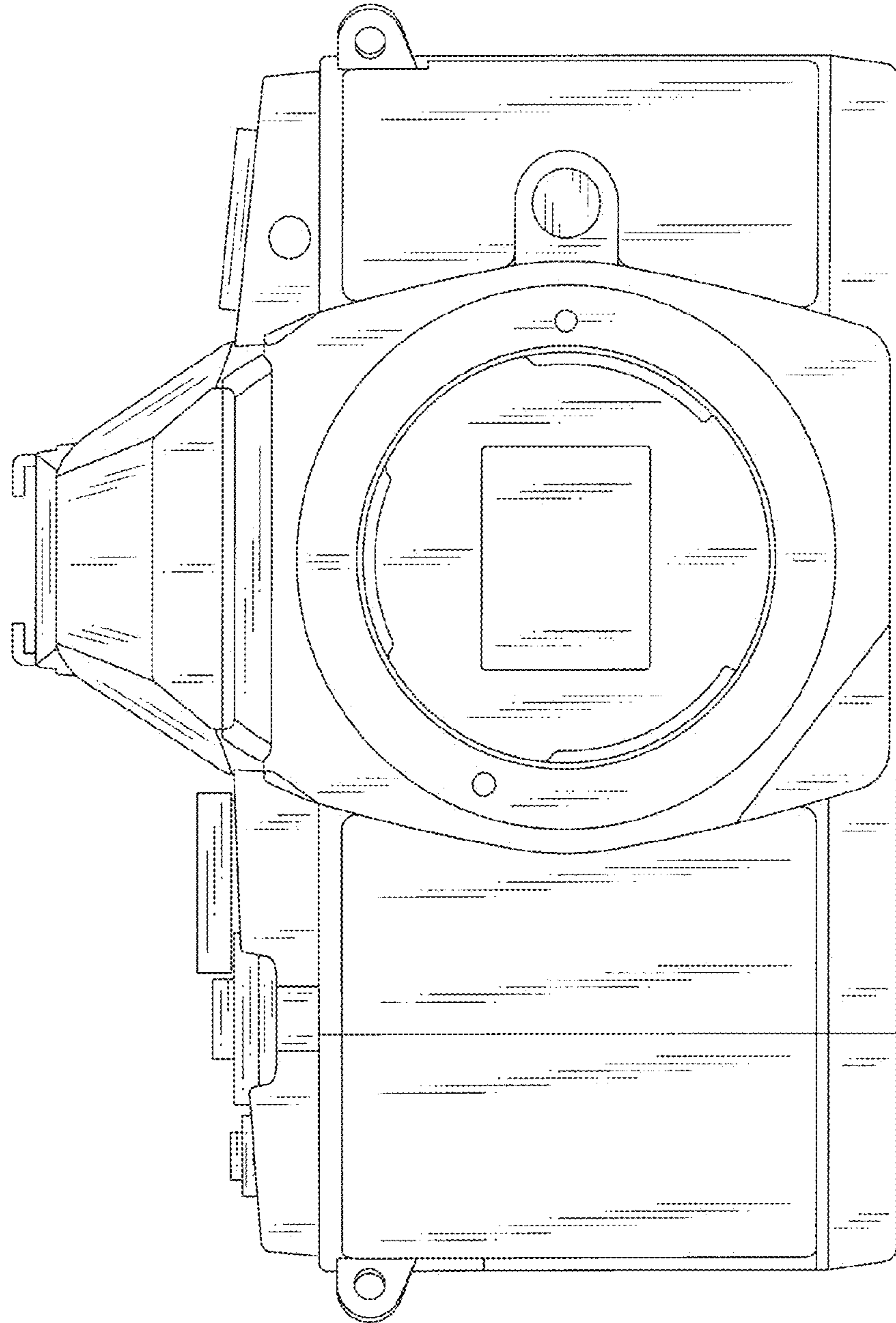


FIG. 3

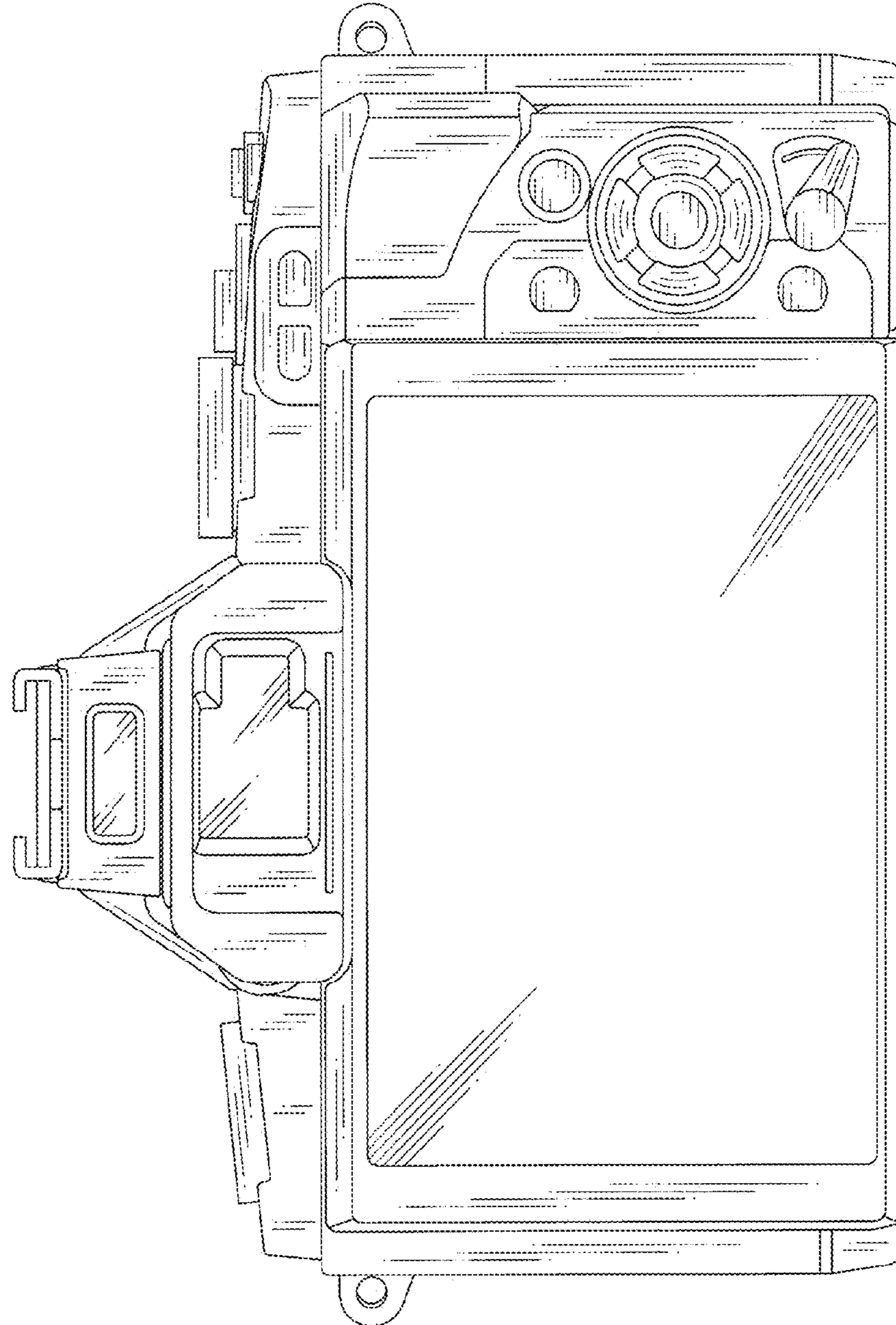


FIG.4

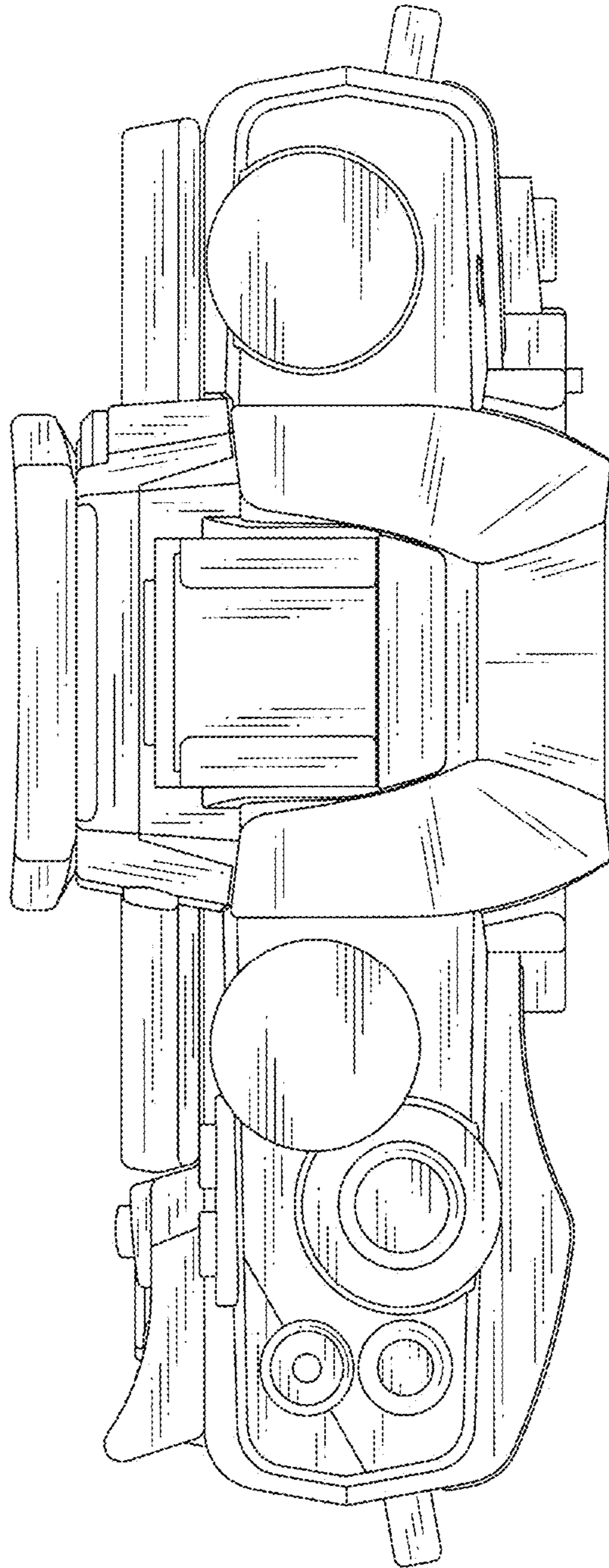


FIG. 5

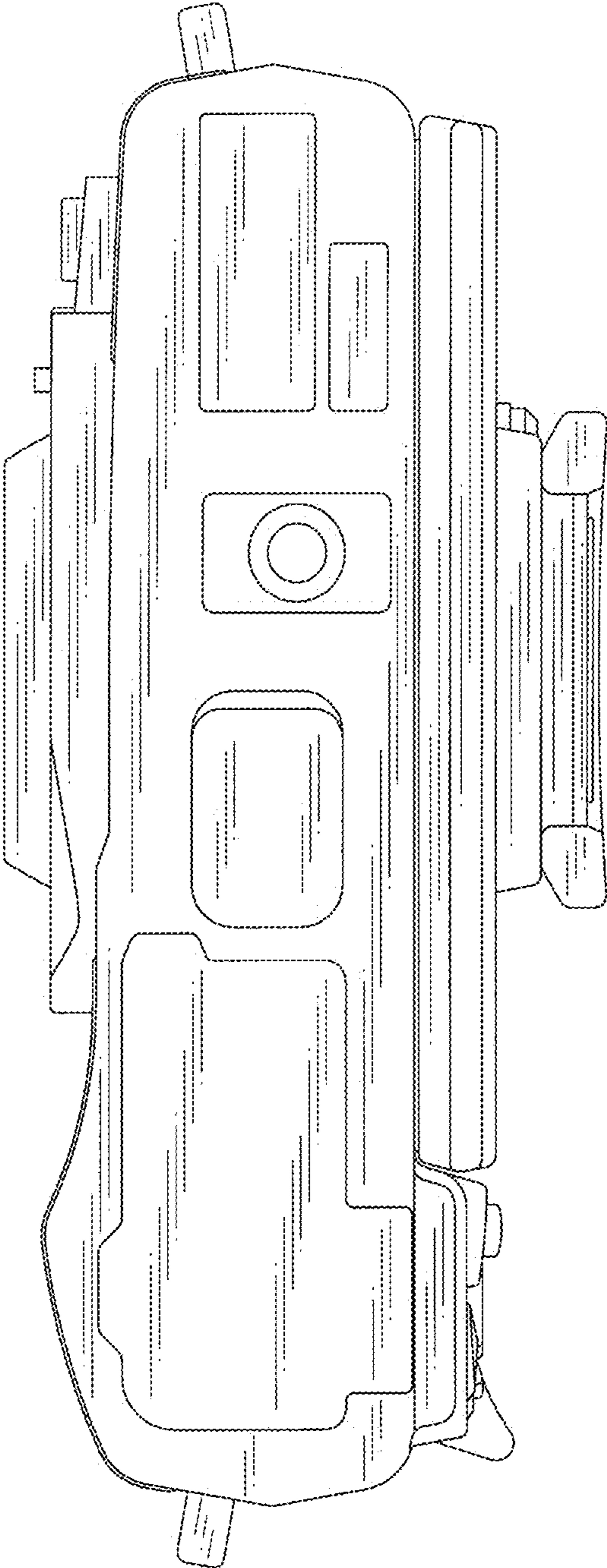


FIG.7

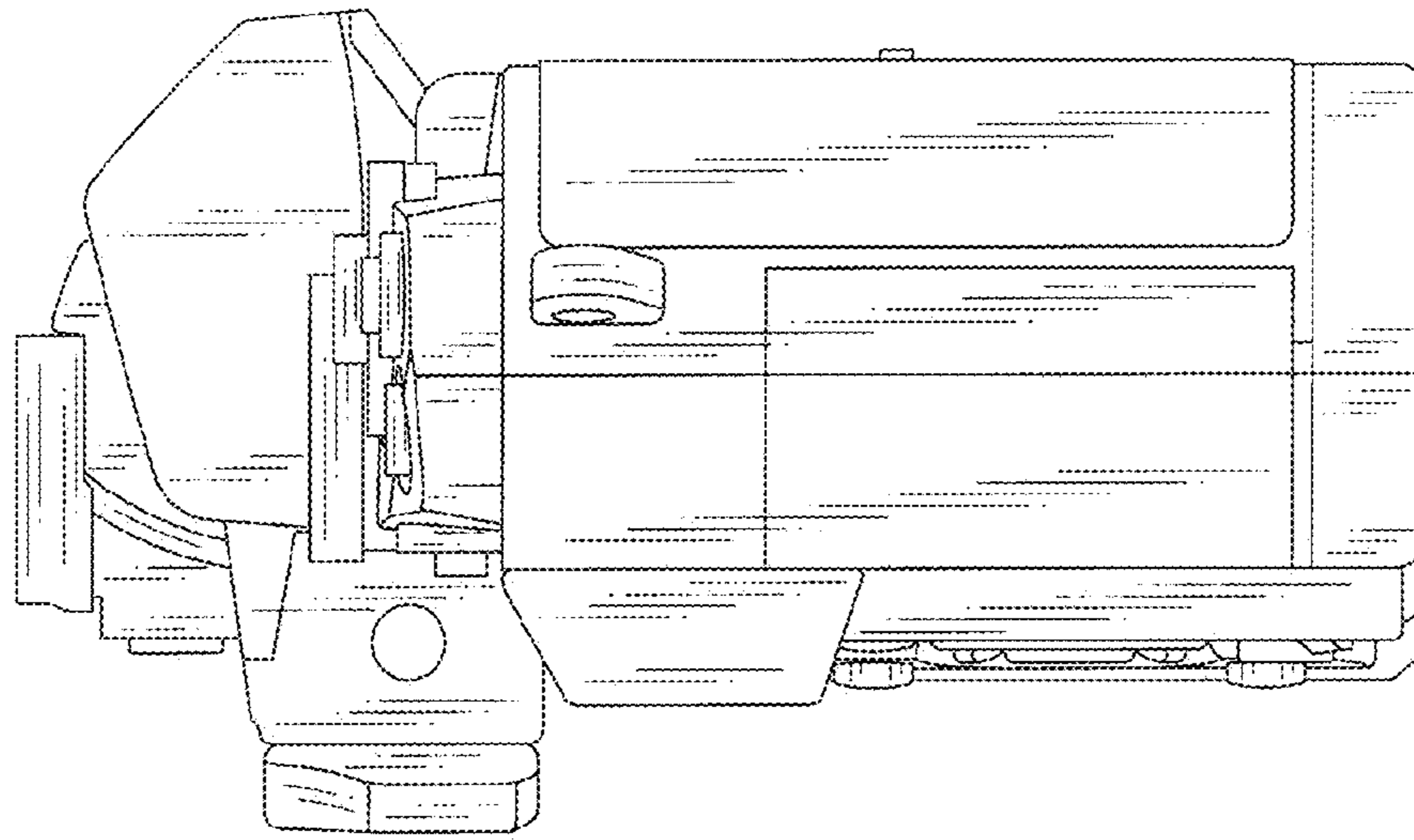


FIG.6

