



US00D681089S

(12) **United States Design Patent**
Au et al.

(10) **Patent No.:** **US D681,089 S**
(45) **Date of Patent:** **** Apr. 30, 2013**

(54) **DIGITAL MICROSCOPE**
(75) Inventors: **Nelson Au**, Foster City, CA (US); **Paul Boeschoten**, Redmond, WA (US); **George Hanson**, Eugene, OR (US); **Steven Lytle**, Kirkland, WA (US); **Michael O’Grady**, Eugene, OR (US); **Erik Persmark**, Eugene, OR (US); **Terence Tam**, Redmond, WA (US); **Laurence Trigg**, Santa Clara, CA (US); **Adam Zahner**, Eugene, OR (US)

(73) Assignee: **Life Technologies Corporation**, Carlsbad, CA (US)

(**) Term: **14 Years**

(21) Appl. No.: **29/432,173**

(22) Filed: **Sep. 13, 2012**

Related U.S. Application Data

(62) Division of application No. 29/401,628, filed on Sep. 13, 2011, now Pat. No. Des. 668,699.

(51) **LOC (9) Cl.** **16-06**

(52) **U.S. Cl.**
USPC **D16/131**

(58) **Field of Classification Search** D16/131,
D16/130, 221; D14/375, 239; 356/237.2;
353/27 R, 39; 359/368, 369, 372, 363, 385,
359/388, 391, 392

See application file for complete search history.

(56) **References Cited**

U.S. PATENT DOCUMENTS

2,135,870 A 11/1938 Fassin et al.
2,170,967 A * 8/1939 Eppenstein et al. 353/39

D195,998 S	8/1963	Aubock et al.	
3,186,296 A	6/1965	Erban et al.	
3,205,770 A	9/1965	Koch et al.	
3,572,884 A	3/1971	Chirayath	
D228,807 S	10/1973	Cinque	
4,284,327 A	8/1981	Kraft et al.	
4,423,933 A	1/1984	Behr et al.	
4,444,475 A	4/1984	Yamada	
4,537,483 A *	8/1985	Turner	353/39
4,621,913 A *	11/1986	Yamada et al.	353/39
D291,702 S	9/1987	Kahute	
D309,621 S	7/1990	Chaikin	
D356,552 S	3/1995	Maeno et al.	
D359,059 S	6/1995	Omi	
5,684,627 A	11/1997	Ganser et al.	
D387,080 S	12/1997	Miyazawa	
5,694,242 A	12/1997	Omi	
D392,303 S	3/1998	Hern	
D400,548 S	11/1998	Komatsusaki	

(Continued)

Primary Examiner — Paula Greene

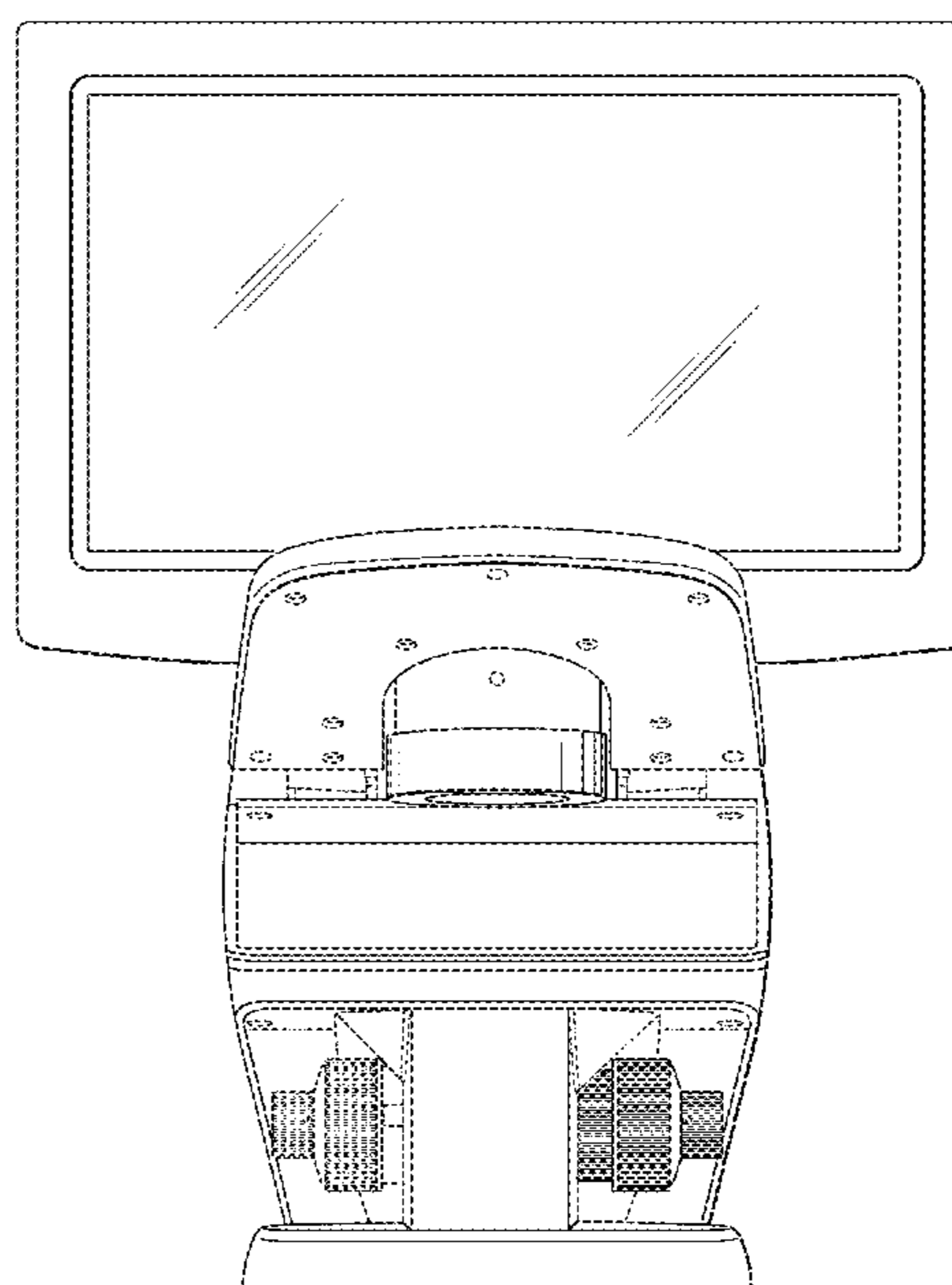
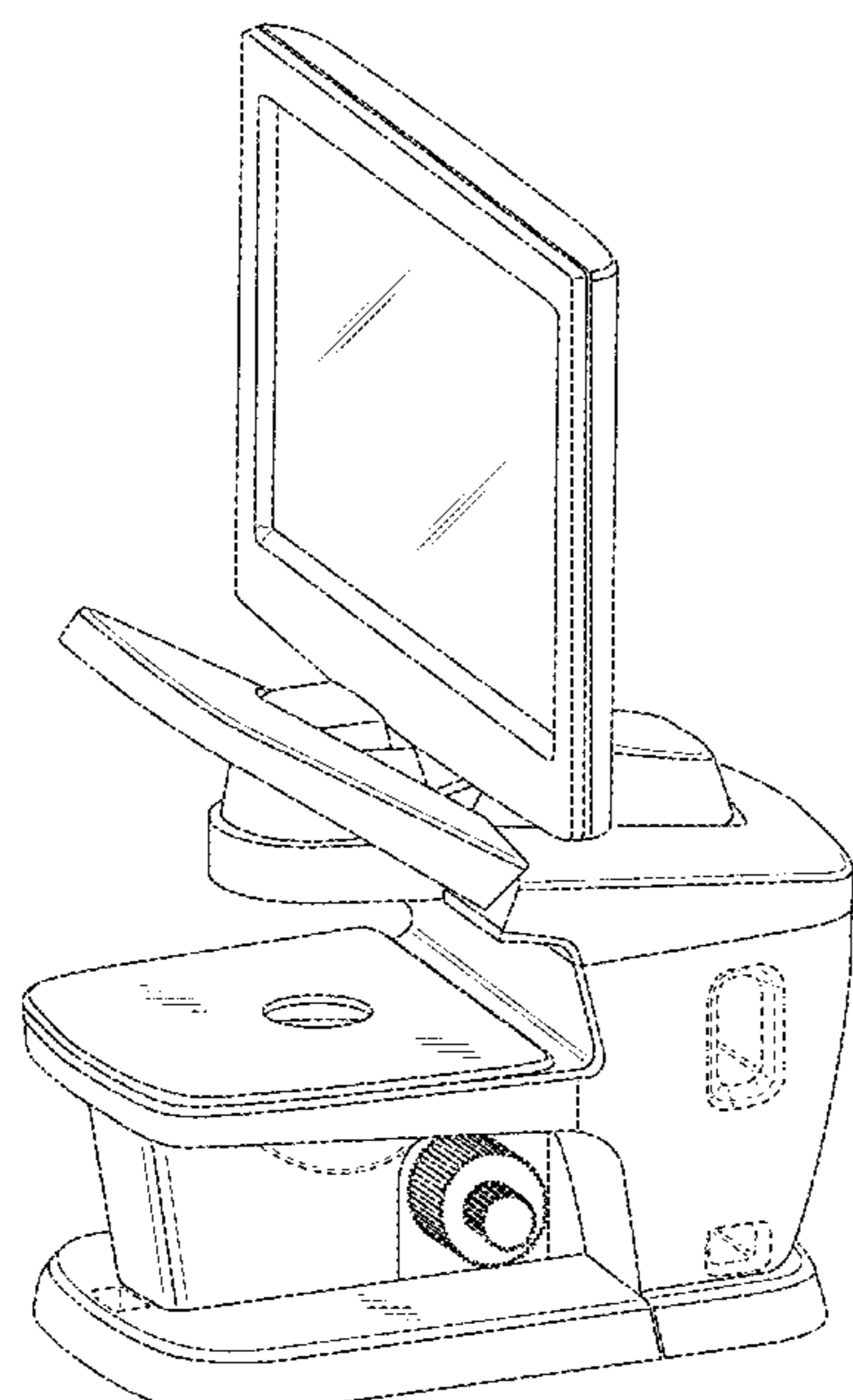
(57) **CLAIM**

The ornamental design for a digital microscope, as shown and described.

DESCRIPTION

FIG. 1 is a front perspective view of a digital microscope showing our new design;
FIG. 2 is a front view of the digital microscope of FIG. 1.
FIG. 3 is a back view of the digital microscope of FIG. 1.
FIG. 4 is a left side view of the digital microscope of FIG. 1.
FIG. 5 is a right side view of the digital microscope of FIG. 1.
FIG. 6 is a top view of the digital microscope of FIG. 1; and,
FIG. 7 is a bottom view of the digital microscope of FIG. 1.
The bottom views and the portions depicted in broken lines are not part of the claimed design.

1 Claim, 7 Drawing Sheets



US D681,089 S

Page 2

U.S. PATENT DOCUMENTS

5,969,852	A	*	10/1999	Kung	359/369	6,791,600	B1	9/2004	Chan
6,147,797	A		11/2000	Lee			7,321,462	B2	1/2008	Yamamoto
D476,020	S		6/2003	Chih			D657,407	S	4/2012	Okamoto et al.
6,738,558	B2		5/2004	Ruehl et al.			D668,699	S	10/2012	Au et al.
6,741,391	B1		5/2004	Ishihara et al.						

* cited by examiner

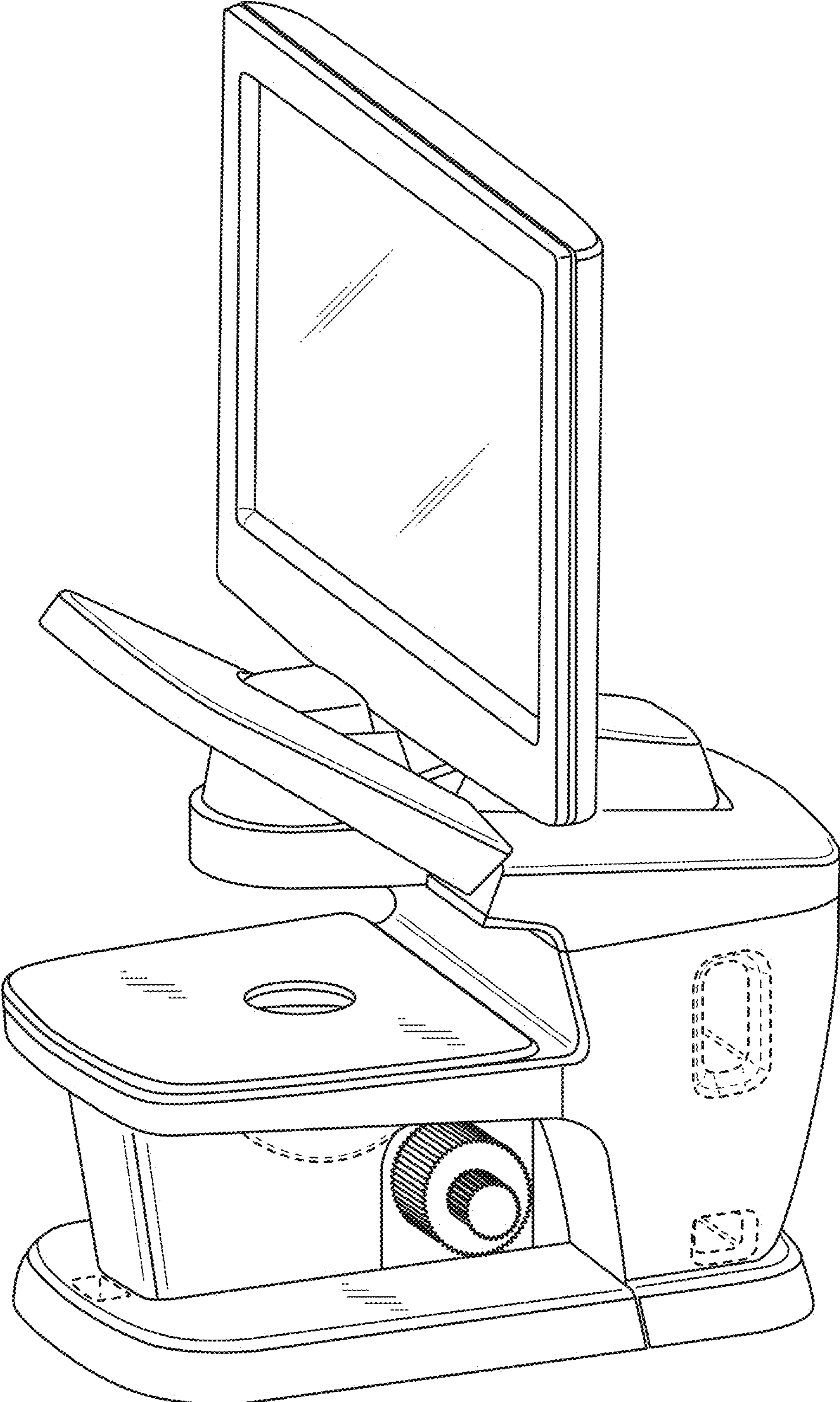


FIG. 1

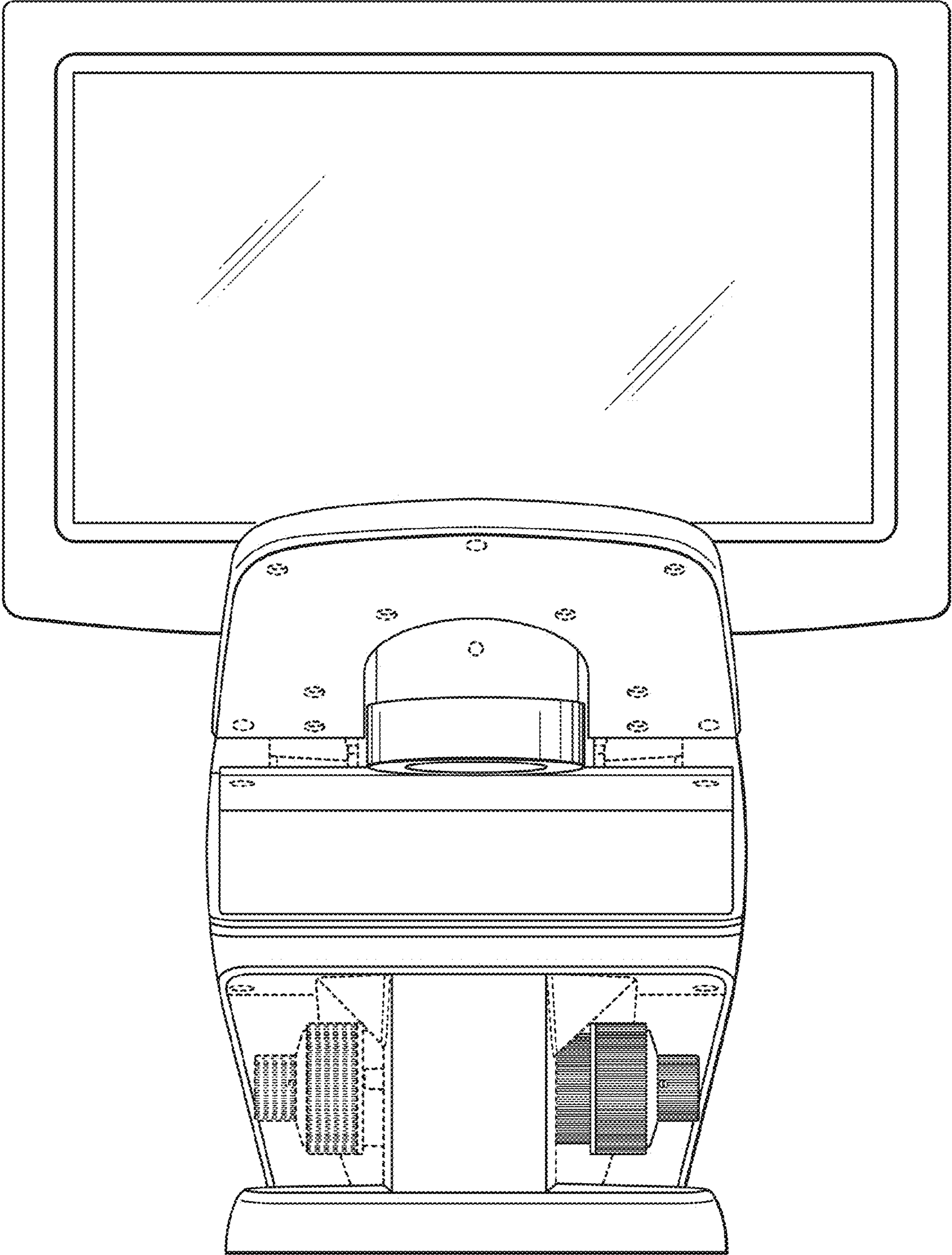


FIG. 2

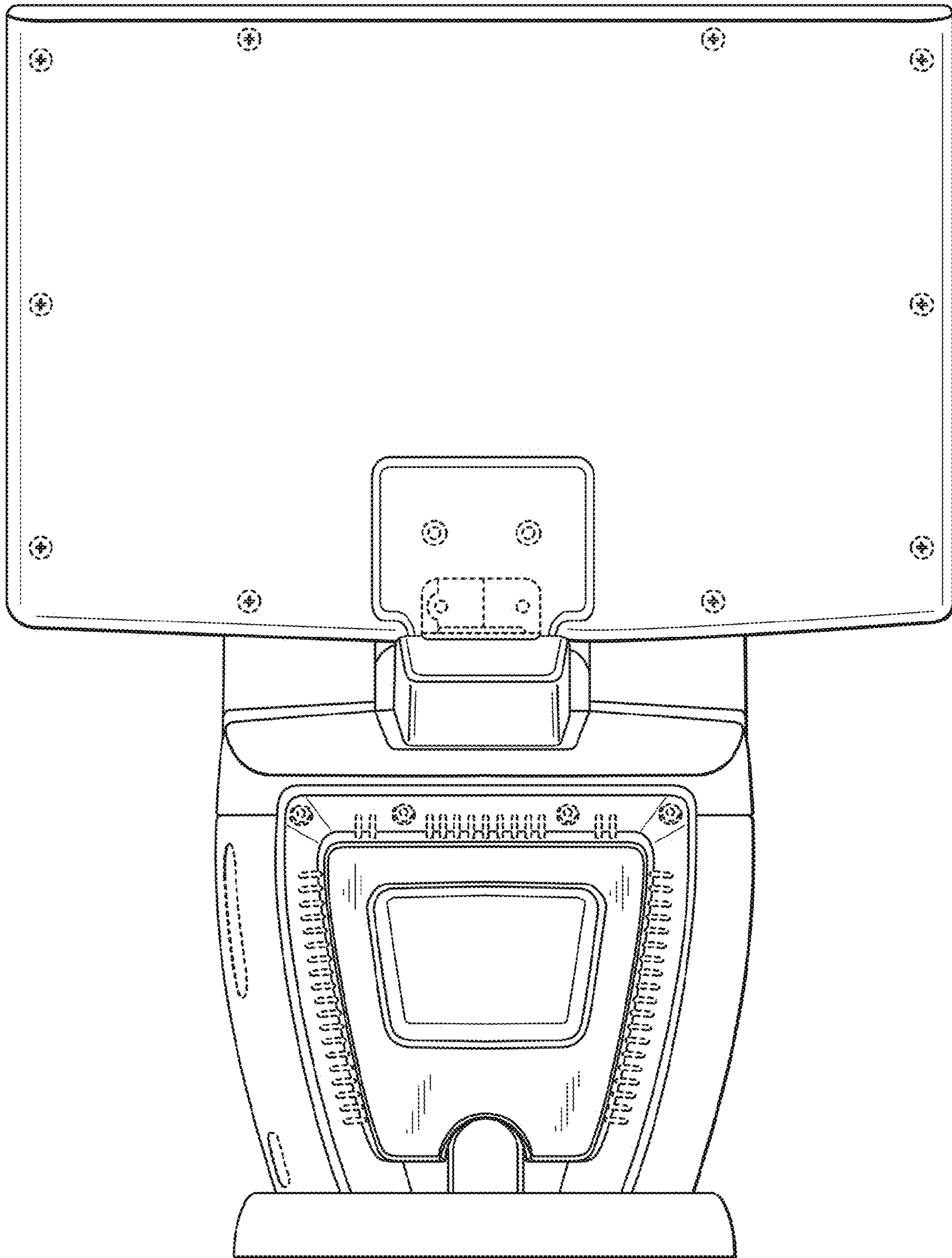


FIG. 3

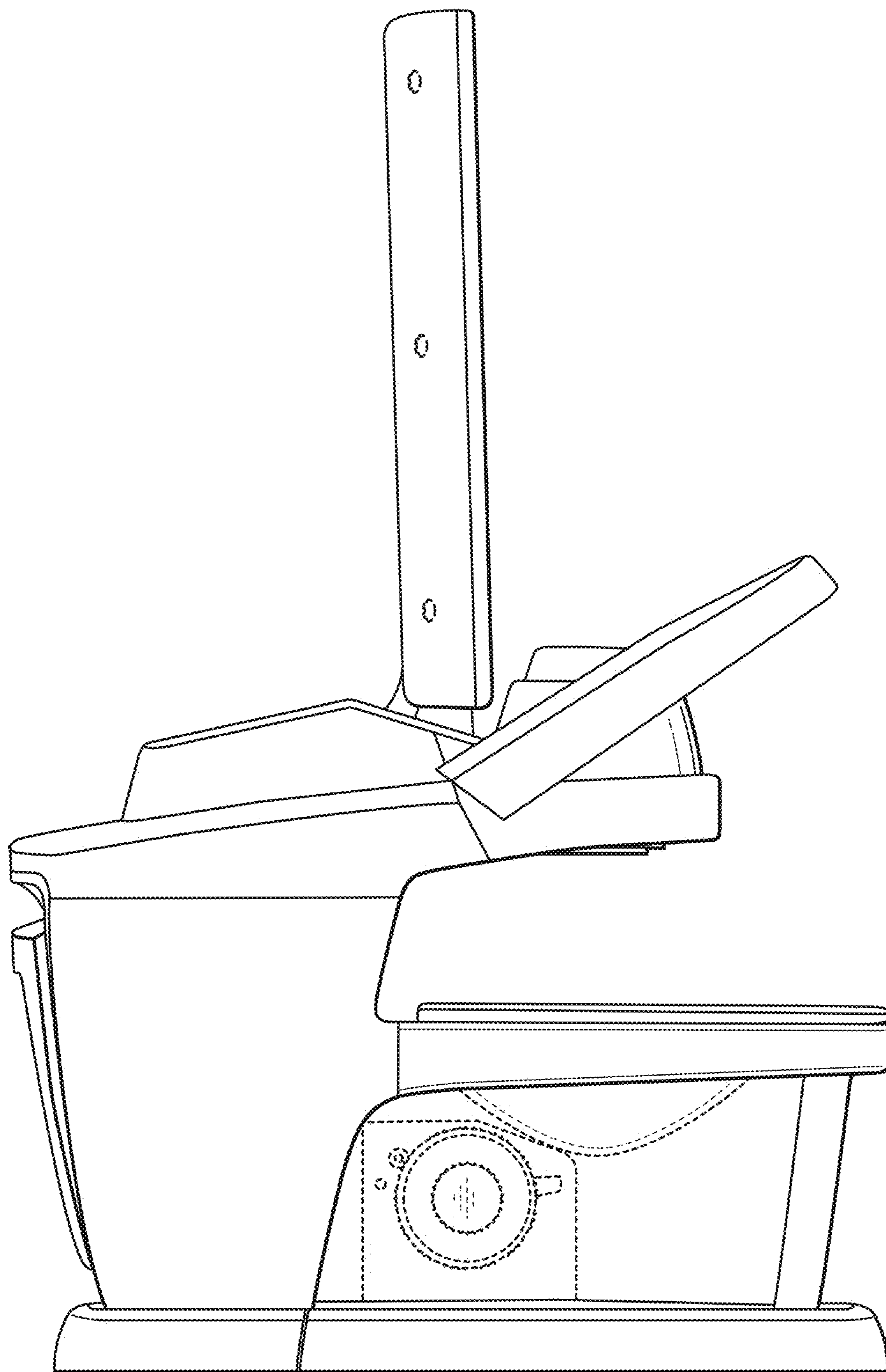


FIG. 4

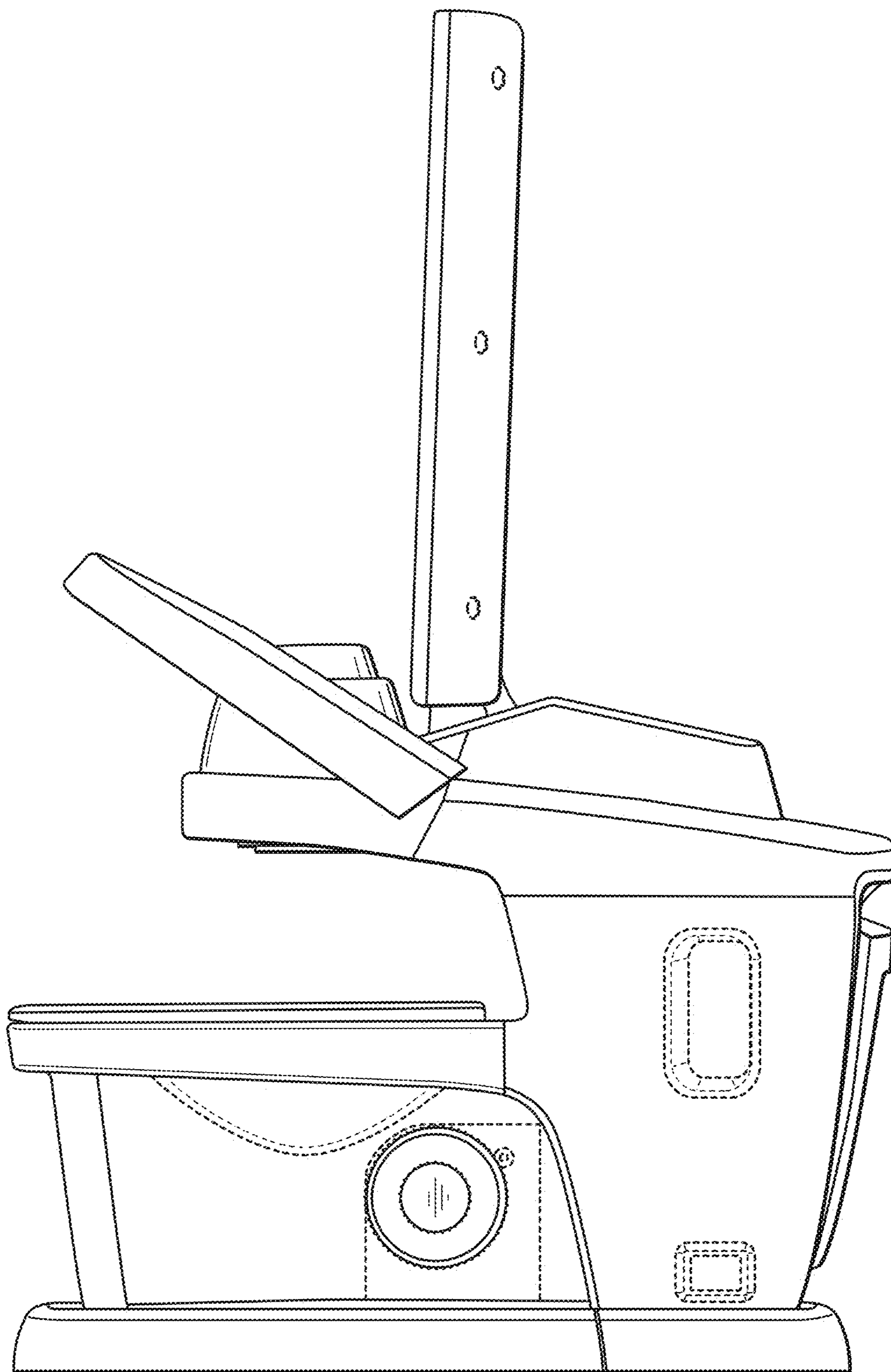


FIG. 5

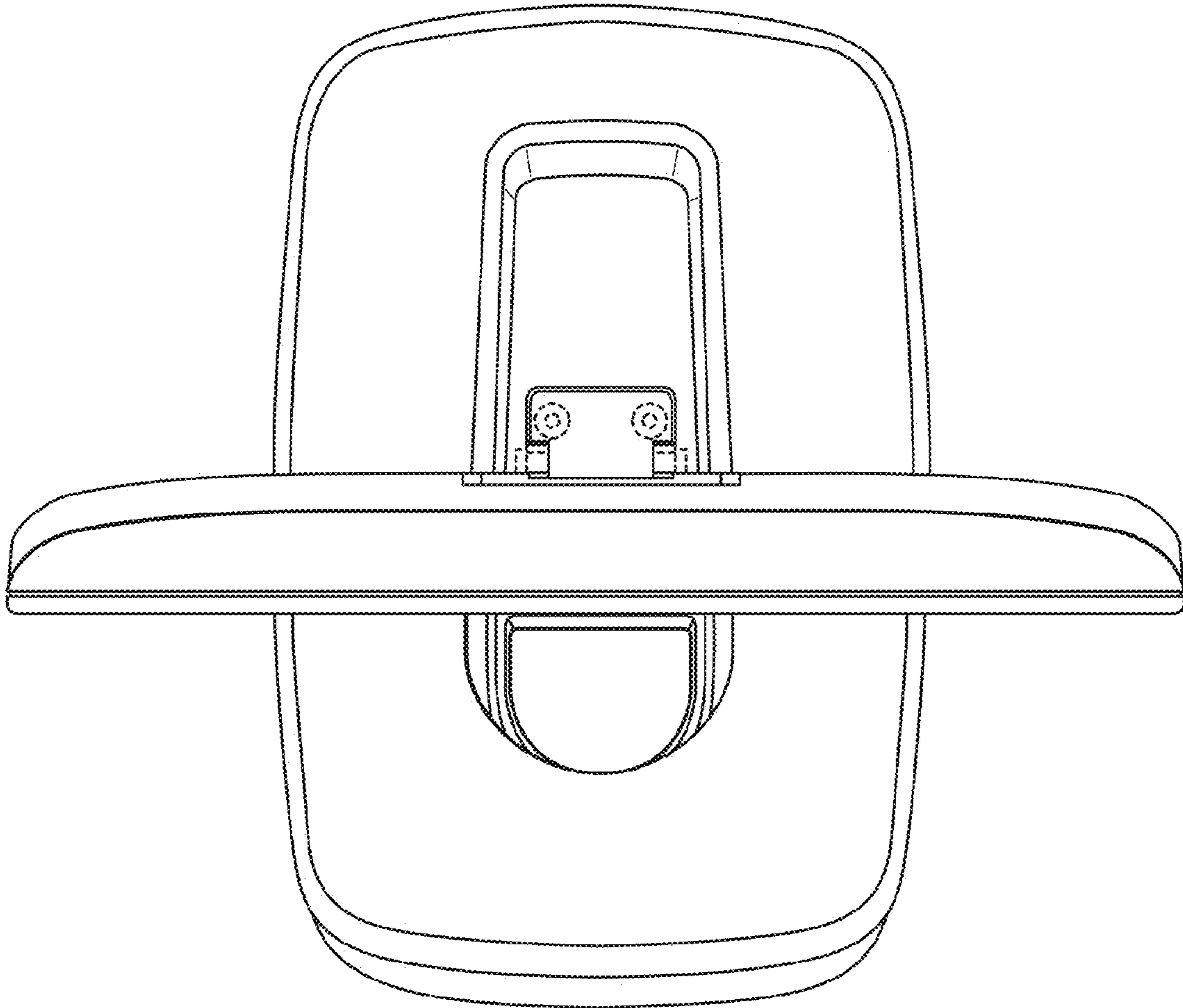


FIG. 6

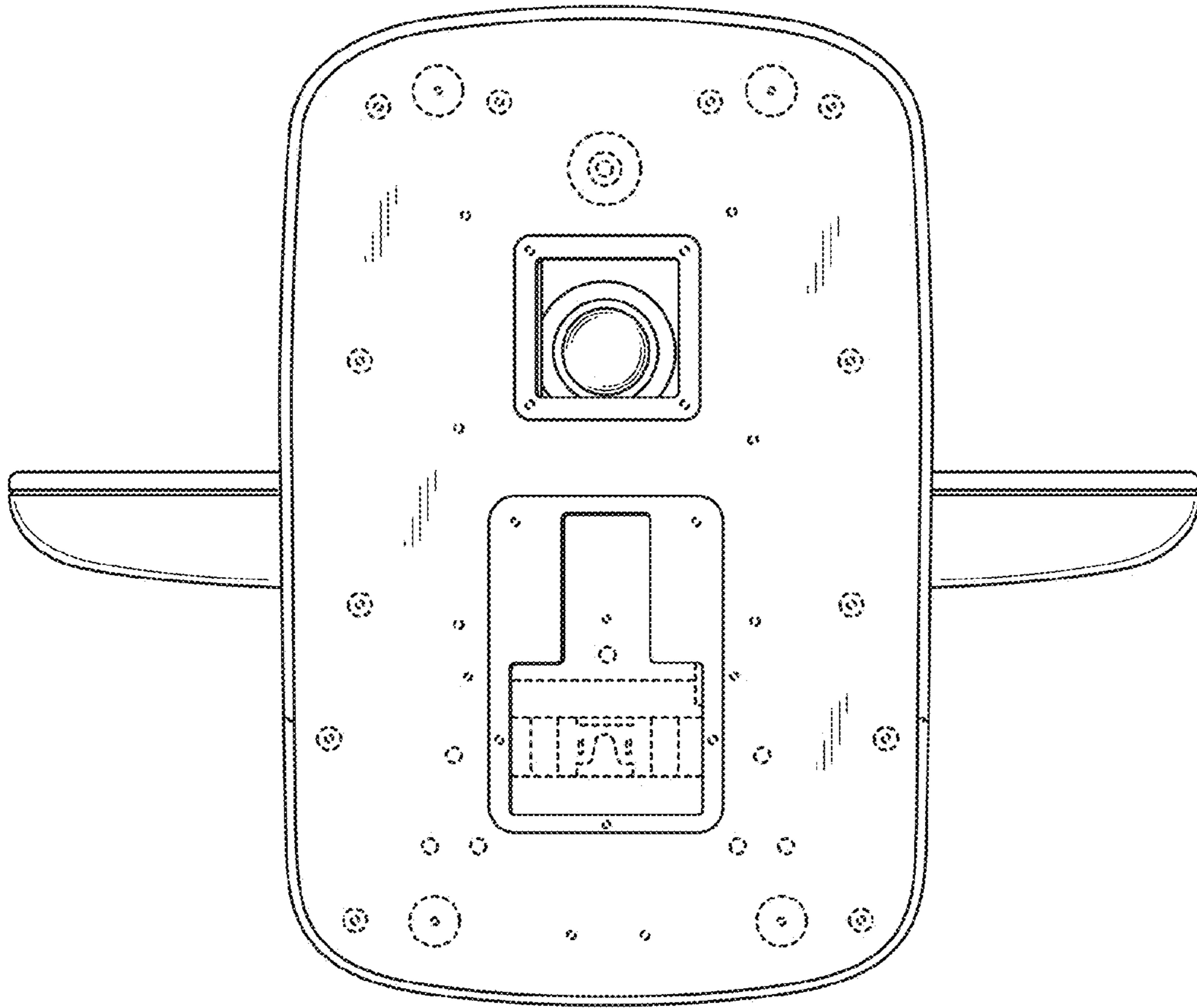


FIG. 7