



US00D681088S

(12) **United States Design Patent**  
**Funakoshi et al.**

(10) **Patent No.:** **US D681,088 S**  
(45) **Date of Patent:** **\*\* Apr. 30, 2013**

(54) **MICROSCOPE**

(75) Inventors: **Yasuo Funakoshi**, Hachioji (JP); **Kenji Tajima**, Hachioji (JP); **Reisuke Osada**, Hachioji (JP)

(73) Assignee: **Olympus Corporation**, Tokyo (JP)

(\*\*) Term: **14 Years**

(21) Appl. No.: **29/416,680**

(22) Filed: **Mar. 26, 2012**

(30) **Foreign Application Priority Data**

Sep. 27, 2011 (JP) ..... 2011-022071

(51) **LOC (9) Cl.** ..... **16-06**

(52) **U.S. Cl.**  
USPC ..... **D16/131**

(58) **Field of Classification Search** ..... D16/130,  
D16/131, 136; D24/232; 359/382, 383,  
359/385, 390, 391, 393, 392, 800, 801, 368,  
359/369, 370, 371, 372, 373, 374  
See application file for complete search history.

(56) **References Cited**

**U.S. PATENT DOCUMENTS**

D241,741 S *	10/1976	Armbruster	.....	D16/131
4,361,377 A *	11/1982	Pullen	.....	359/385
D301,587 S *	6/1989	Brock	.....	D16/131
5,062,697 A *	11/1991	Mitchell	.....	359/379
D349,295 S *	8/1994	Weidemann	.....	D16/131
D359,059 S *	6/1995	Omi	.....	D16/131

D539,317 S *	3/2007	Tonhofer	.....	D16/132
D592,689 S *	5/2009	Dunn	.....	D16/131
D612,948 S *	3/2010	Fleury et al.	.....	D24/216
D655,325 S *	3/2012	Nojima et al.	.....	D16/131
D655,326 S *	3/2012	Nojima et al.	.....	D16/131
D657,407 S *	4/2012	Okamoto et al.	.....	D16/131
D660,894 S *	5/2012	Nojima et al.	.....	D16/131
D663,338 S *	7/2012	Okamoto et al.	.....	D16/131
D664,174 S *	7/2012	Tanaka	.....	D16/131

\* cited by examiner

*Primary Examiner* — Paula Greene

(74) *Attorney, Agent, or Firm* — Holtz, Holtz, Goodman & Chick, P.C.

(57) **CLAIM**

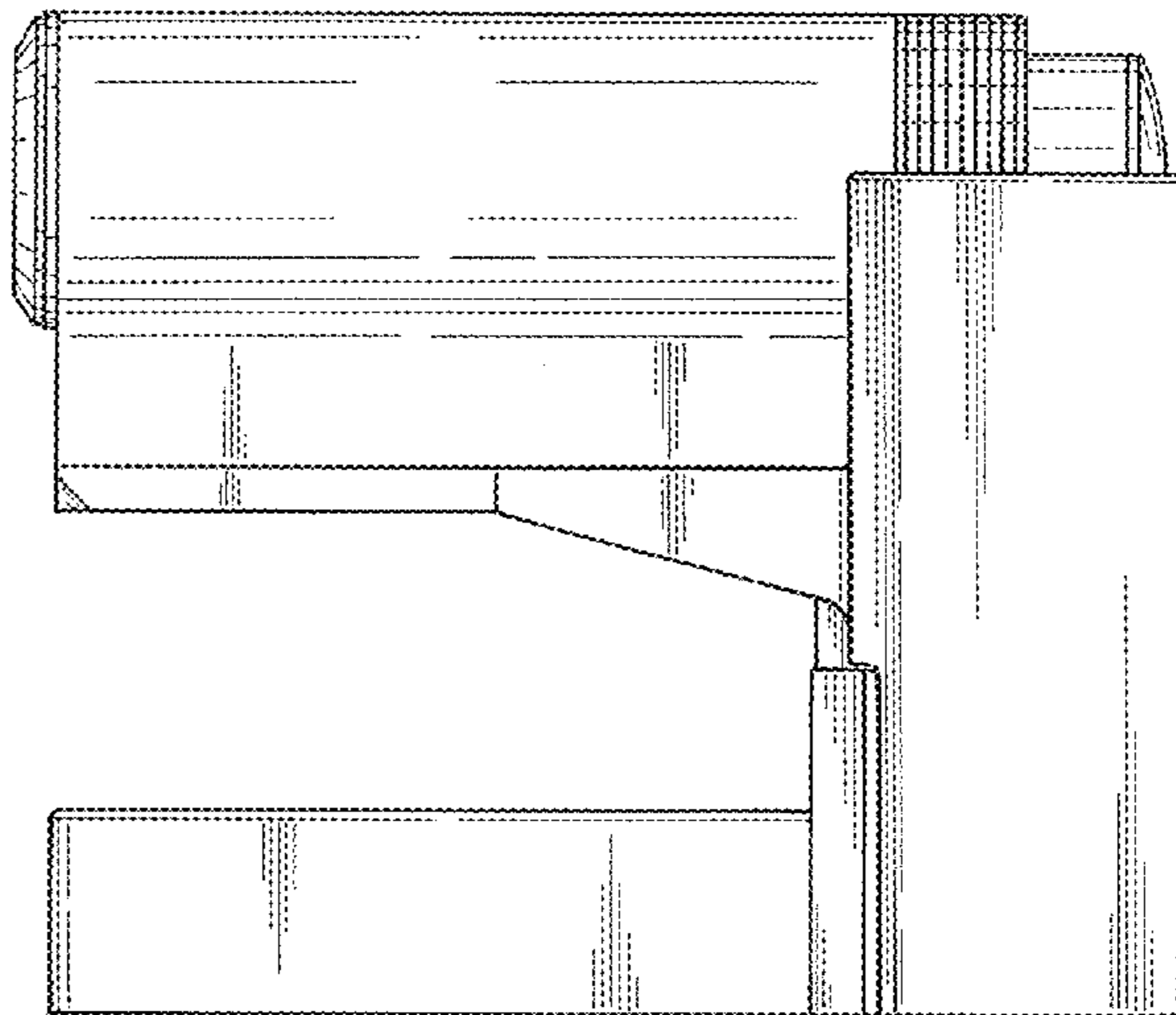
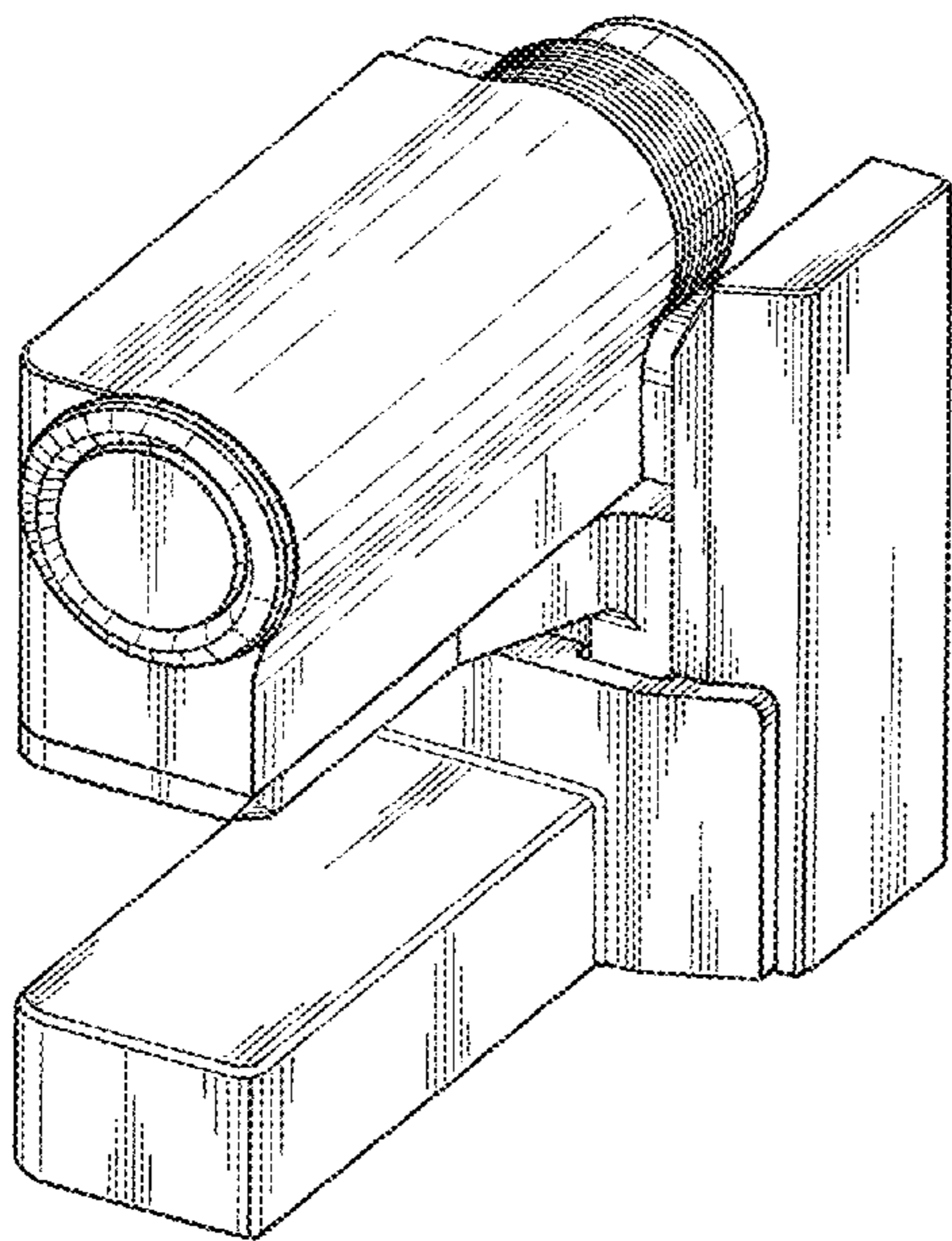
The ornamental design for a microscope, as shown and described.

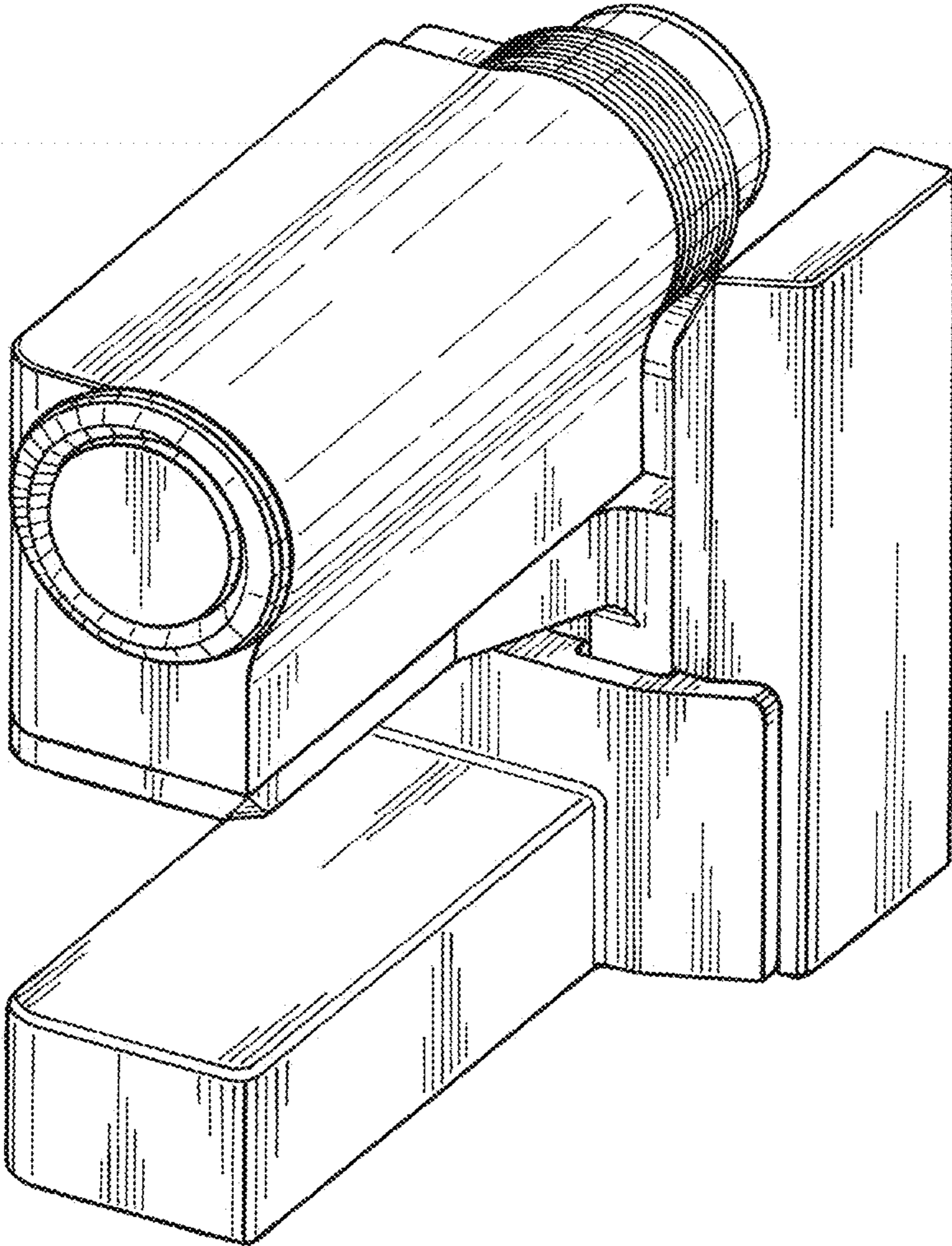
**DESCRIPTION**

FIG. 1 is a front, top and left side perspective view of a microscope showing our new design; FIG. 2 is a rear, top and right side perspective view thereof; FIG. 3 is a front elevational view thereof; FIG. 4 is a rear elevational view thereof; FIG. 5 is a right side view thereof; FIG. 6 is a left side view thereof; FIG. 7 is a top plan view thereof; FIG. 8 is a bottom plan view thereof; and, FIG. 9 is a front perspective view thereof, showing a state in use.

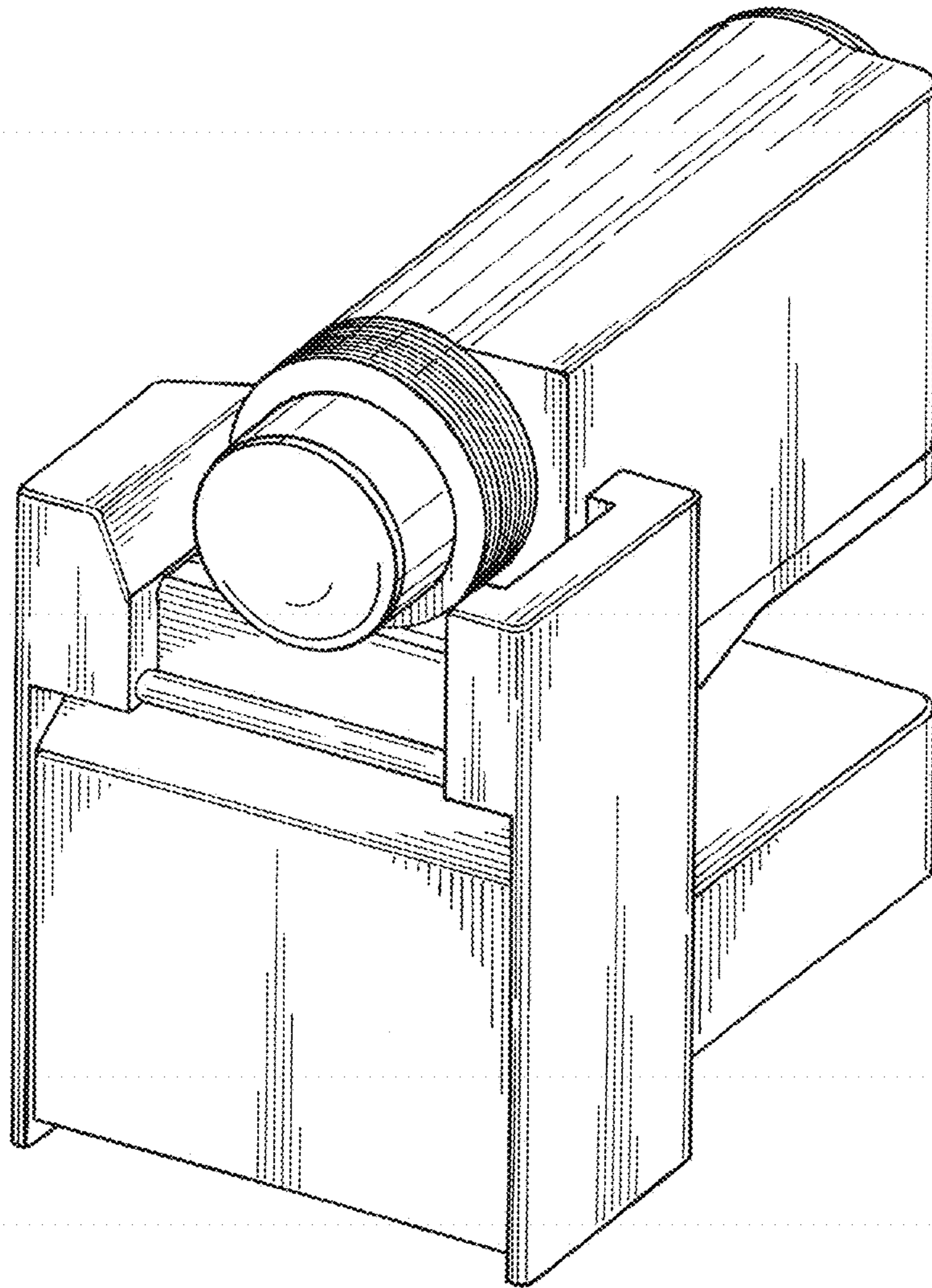
The portions of the drawings shown in broken lines are for illustrative purposes only and form no part of the claimed design.

**1 Claim, 9 Drawing Sheets**

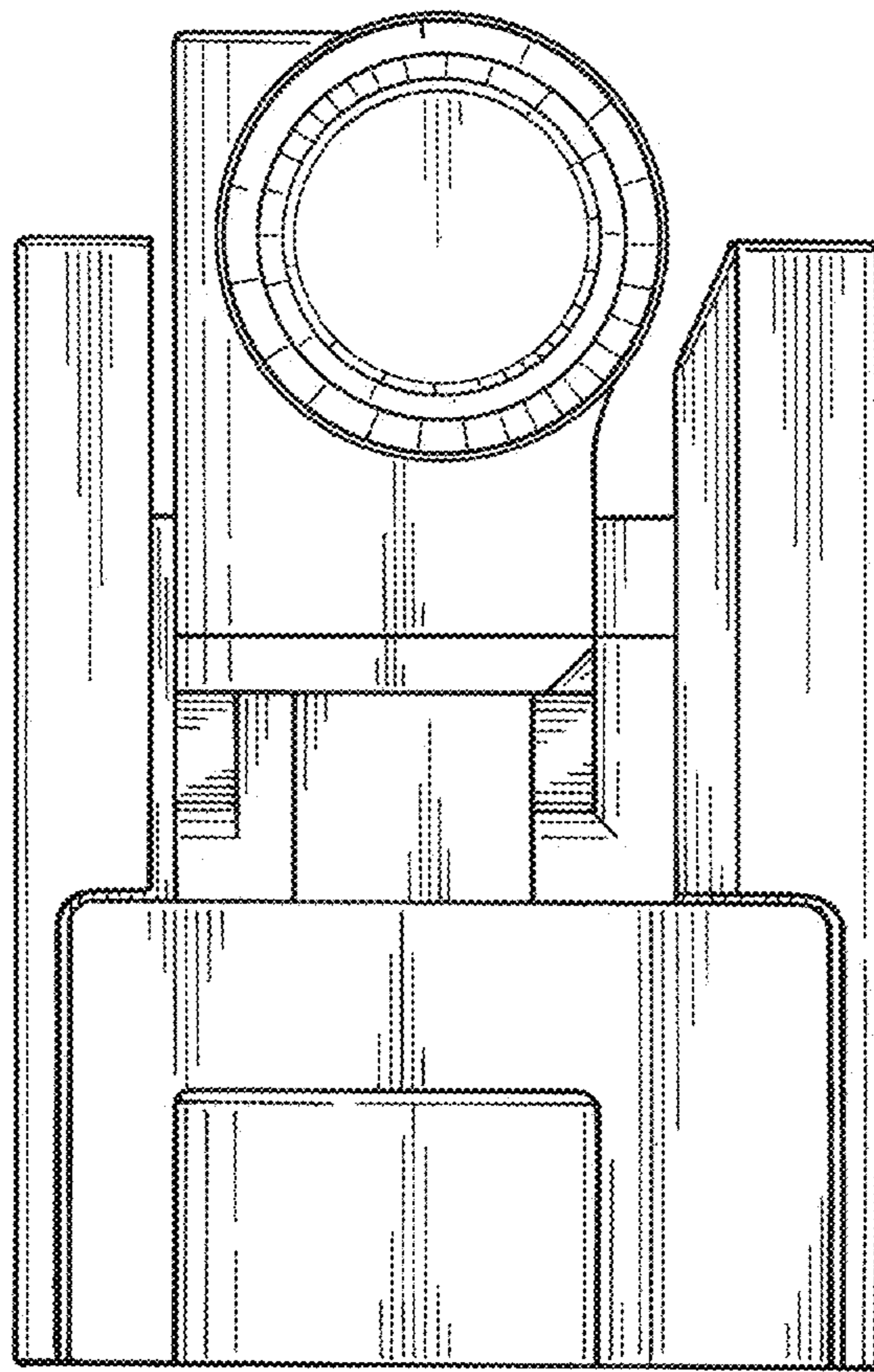




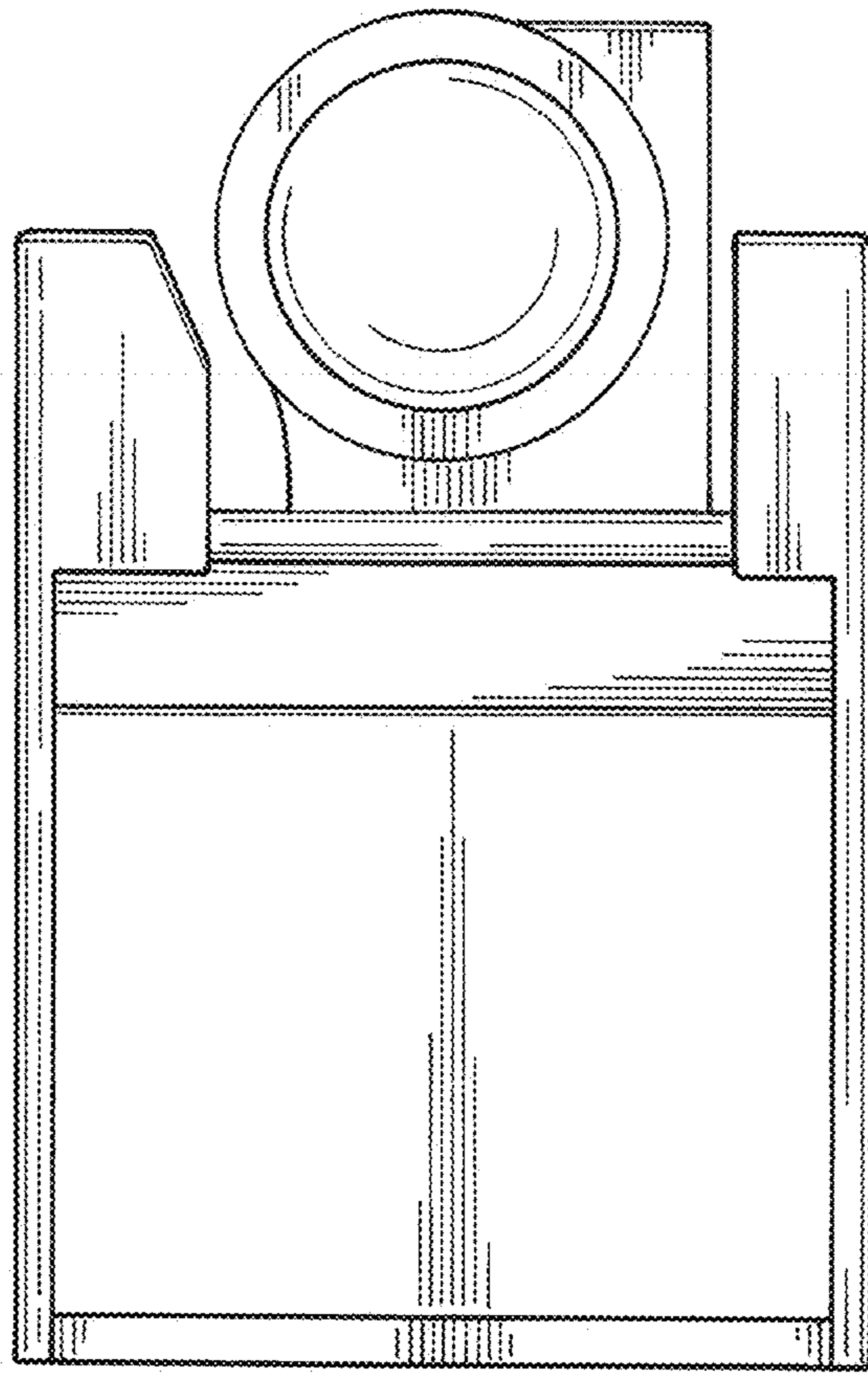
*Fig. 1*



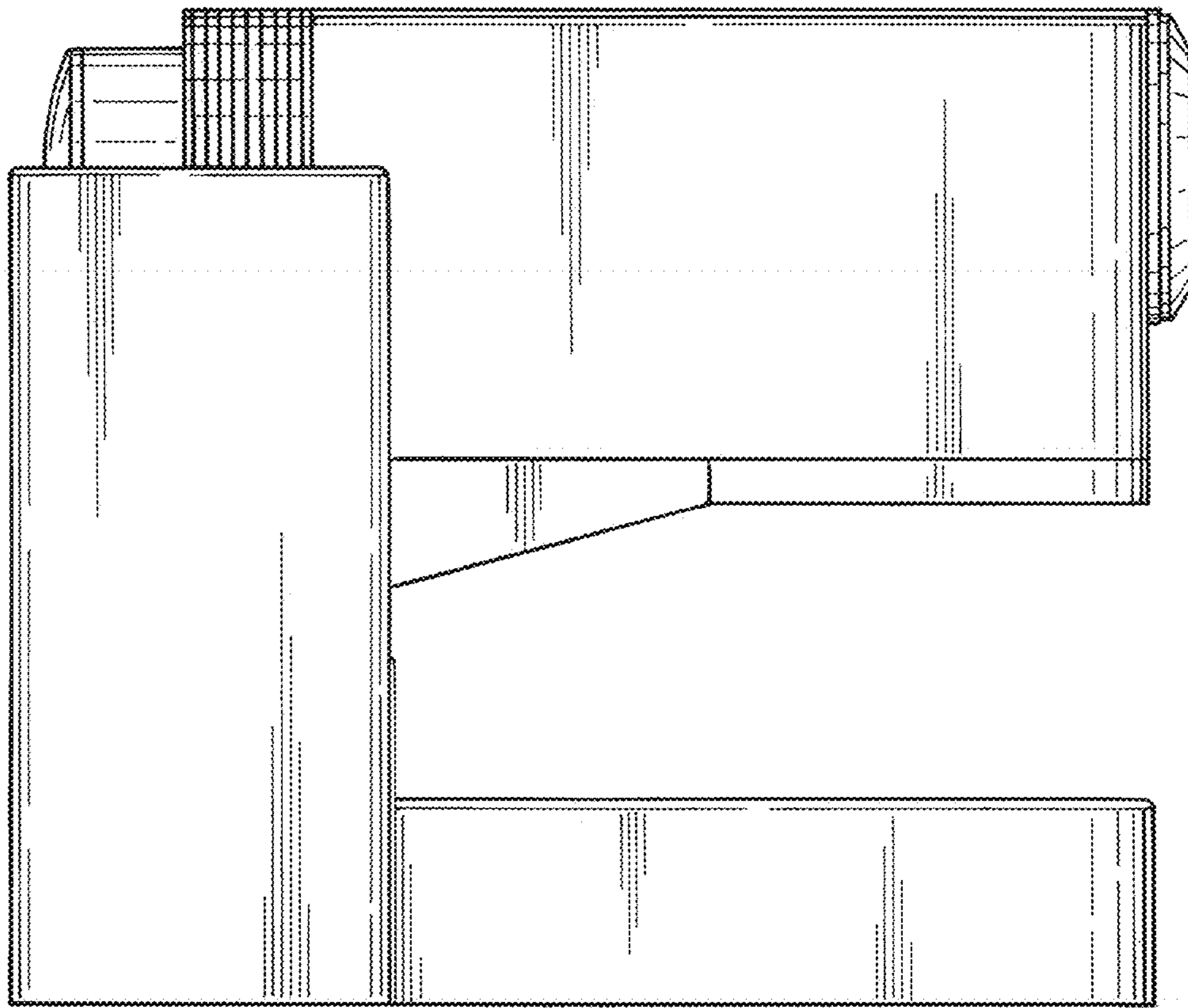
*Fig. 2*



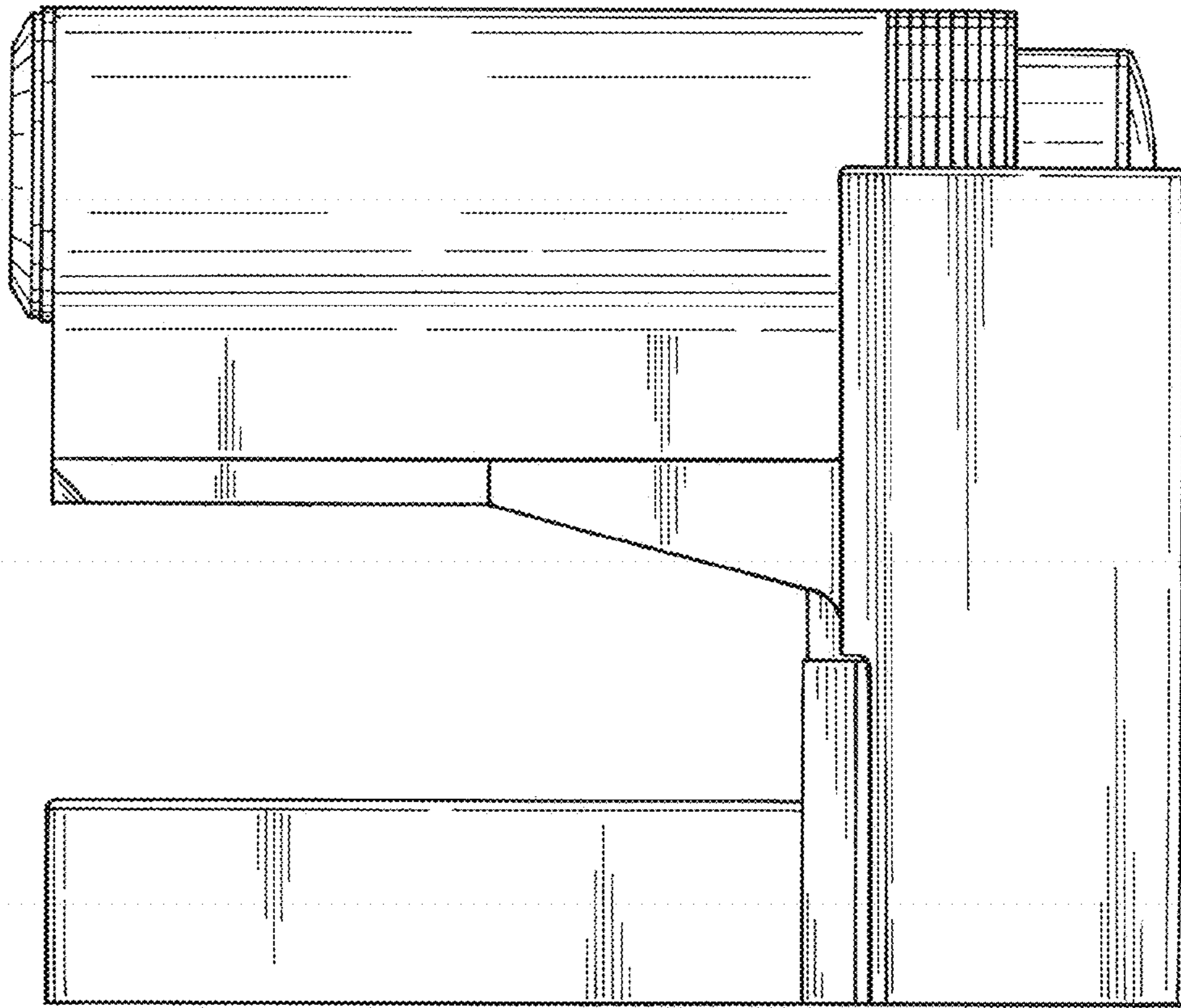
*Fig. 3*



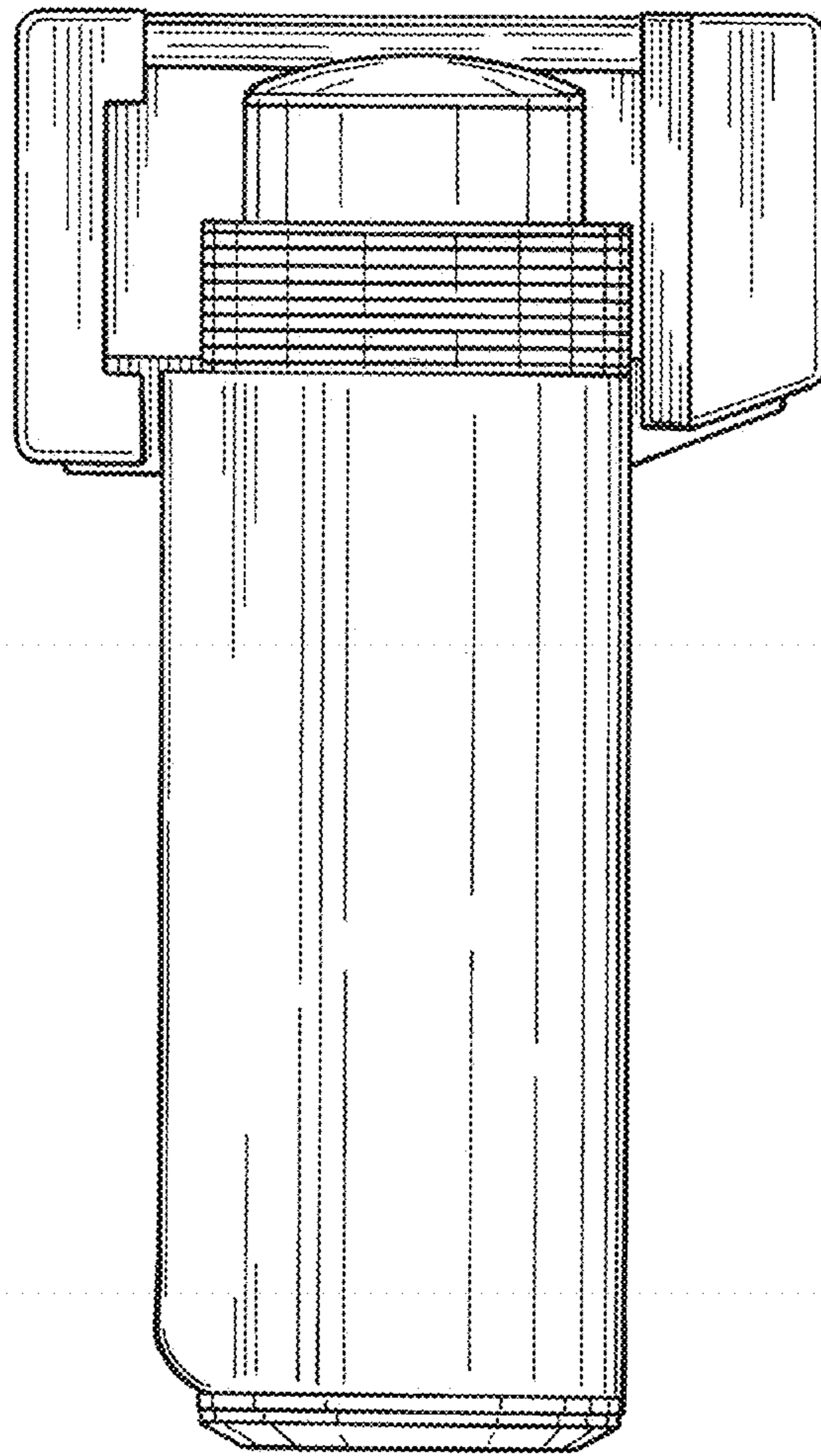
*Fig. 4*



*Fig. 5*

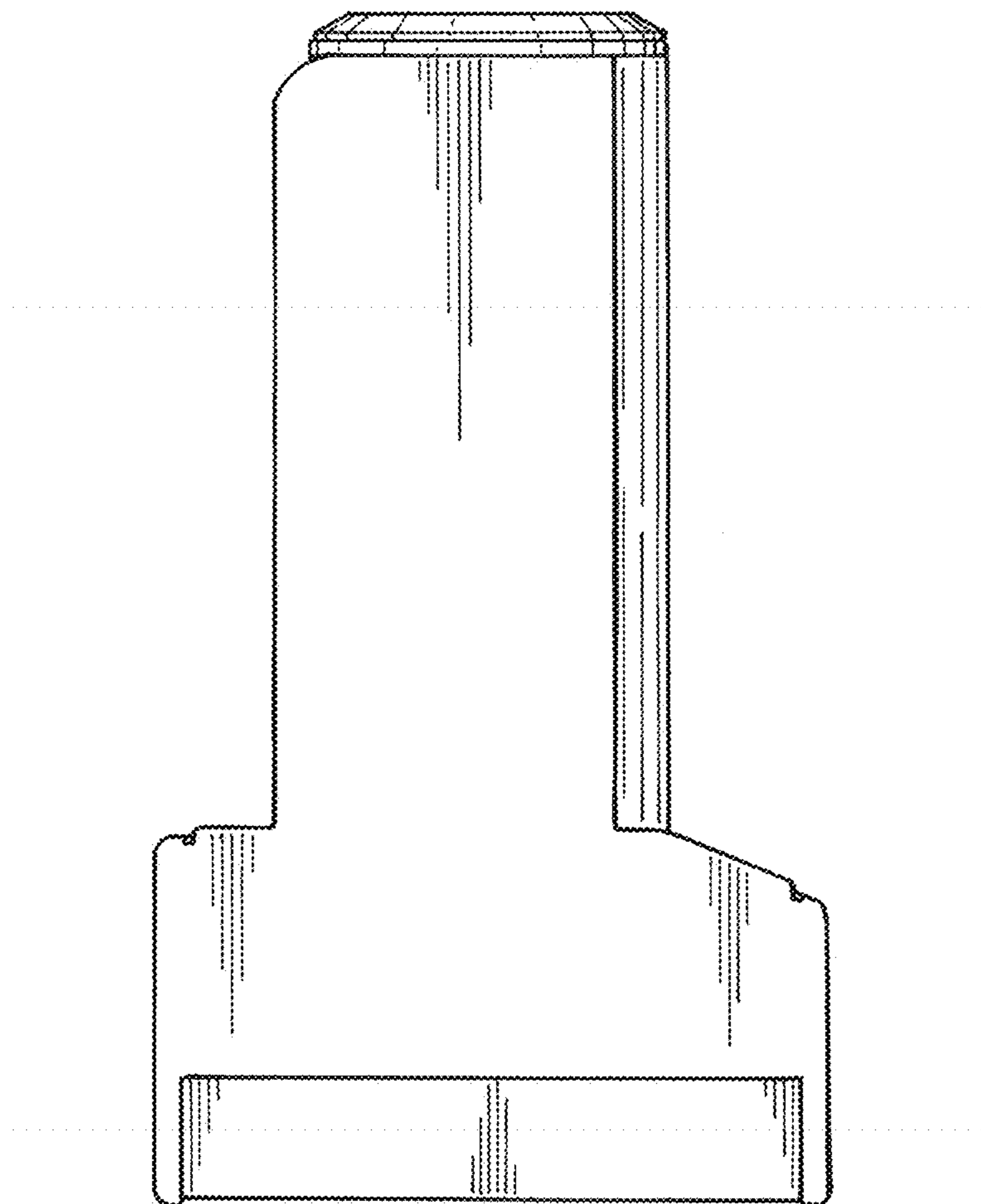


*Fig. 6*

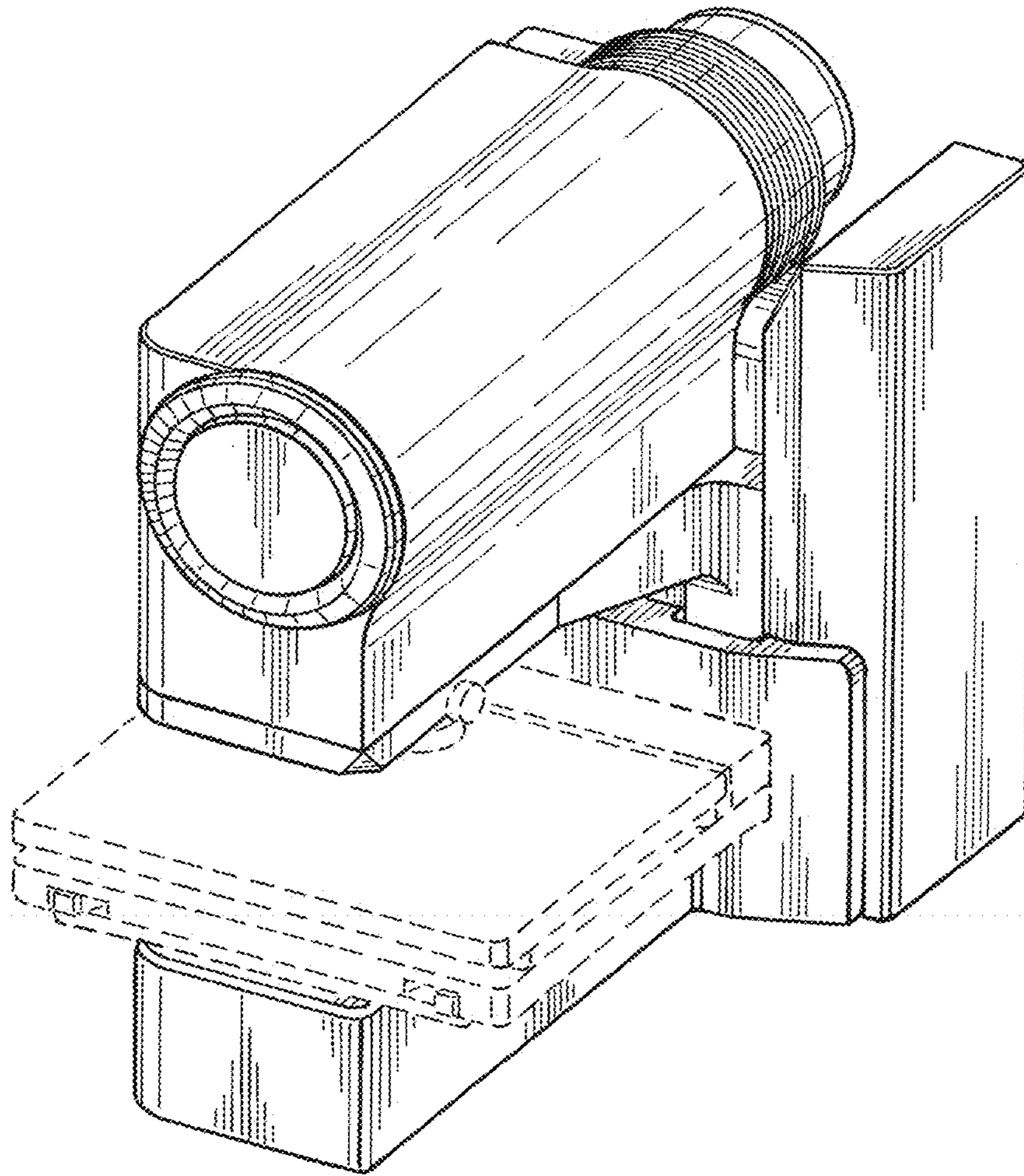


*Fig. 7*





*Fig. 8*



*Fig. 9*