



US00D681087S

(12) **United States Design Patent**
Kung

(10) **Patent No.:** **US D681,087 S**

(45) **Date of Patent:** **** Apr. 30, 2013**

(54) **MICROSCOPE**

(75) Inventor: **Su-Min Kung**, New Taipei (TW)

(73) Assignee: **Hunter Optical Co., Ltd.**, Xizhi Dist.,
New Taipei (TW)

(**) Term: **14 Years**

(21) Appl. No.: **29/408,346**

(22) Filed: **Dec. 12, 2011**

(51) **LOC (9) Cl.** **16-06**

(52) **U.S. Cl.**
USPC **D16/131**

(58) **Field of Classification Search** D16/130,
D16/131; D21/483; 359/368, 382, 383,
359/379, 802, 811, 390

See application file for complete search history.

(56) **References Cited**

U.S. PATENT DOCUMENTS

1,448,592	A *	3/1923	Heine	359/379
2,195,657	A *	4/1940	Ott	359/381
2,214,367	A *	9/1940	Gallasch	359/382
D148,123	S *	12/1947	Armbruster et al.	D16/131
2,662,444	A *	12/1953	Gradisar	359/383
3,260,157	A *	7/1966	Boughton	359/379
3,360,641	A *	12/1967	Korte	359/385
D215,889	S *	11/1969	Suzuki	D16/131
D294,037	S *	2/1988	Yamada	D16/131
5,198,927	A *	3/1993	Rathbone et al.	359/385
D395,664	S *	6/1998	Nojima et al.	D16/131
D417,880	S *	12/1999	Wani et al.	D16/131
D436,972	S *	1/2001	Tai et al.	D16/131

D439,258	S *	3/2001	Kawahata	D16/131
D457,901	S *	5/2002	Lo	D16/131
D459,744	S *	7/2002	Apotheloz	D16/131
D525,636	S *	7/2006	Apotheloz	D16/131
D546,356	S *	7/2007	Apotheloz	D16/131
7,262,906	B2 *	8/2007	Gilbert et al.	359/368
D607,030	S *	12/2009	Hoelbl	D16/131
D607,031	S *	12/2009	Hoelbl	D16/131
D633,539	S *	3/2011	Kung	D16/131

* cited by examiner

Primary Examiner — Paula Greene

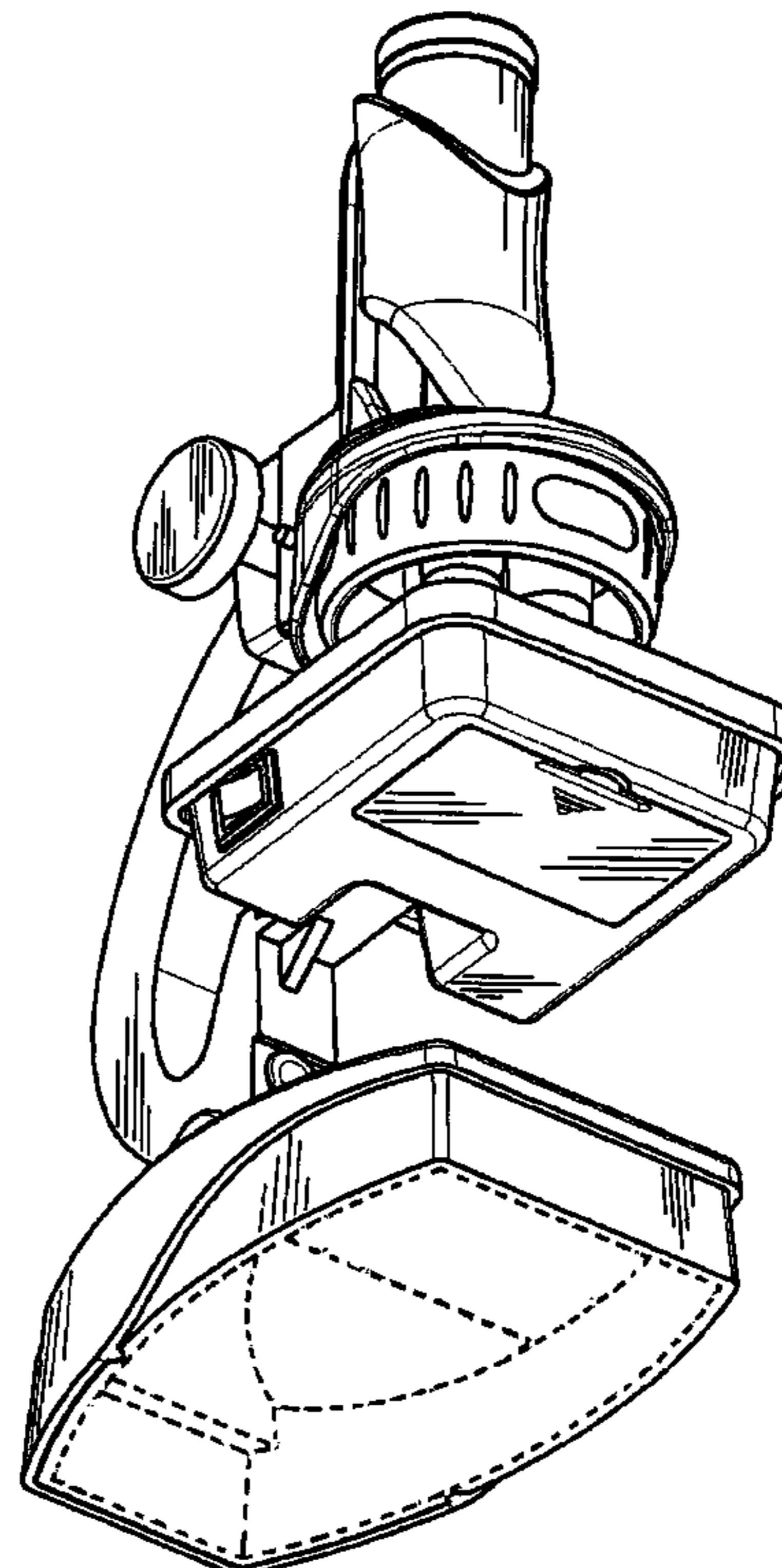
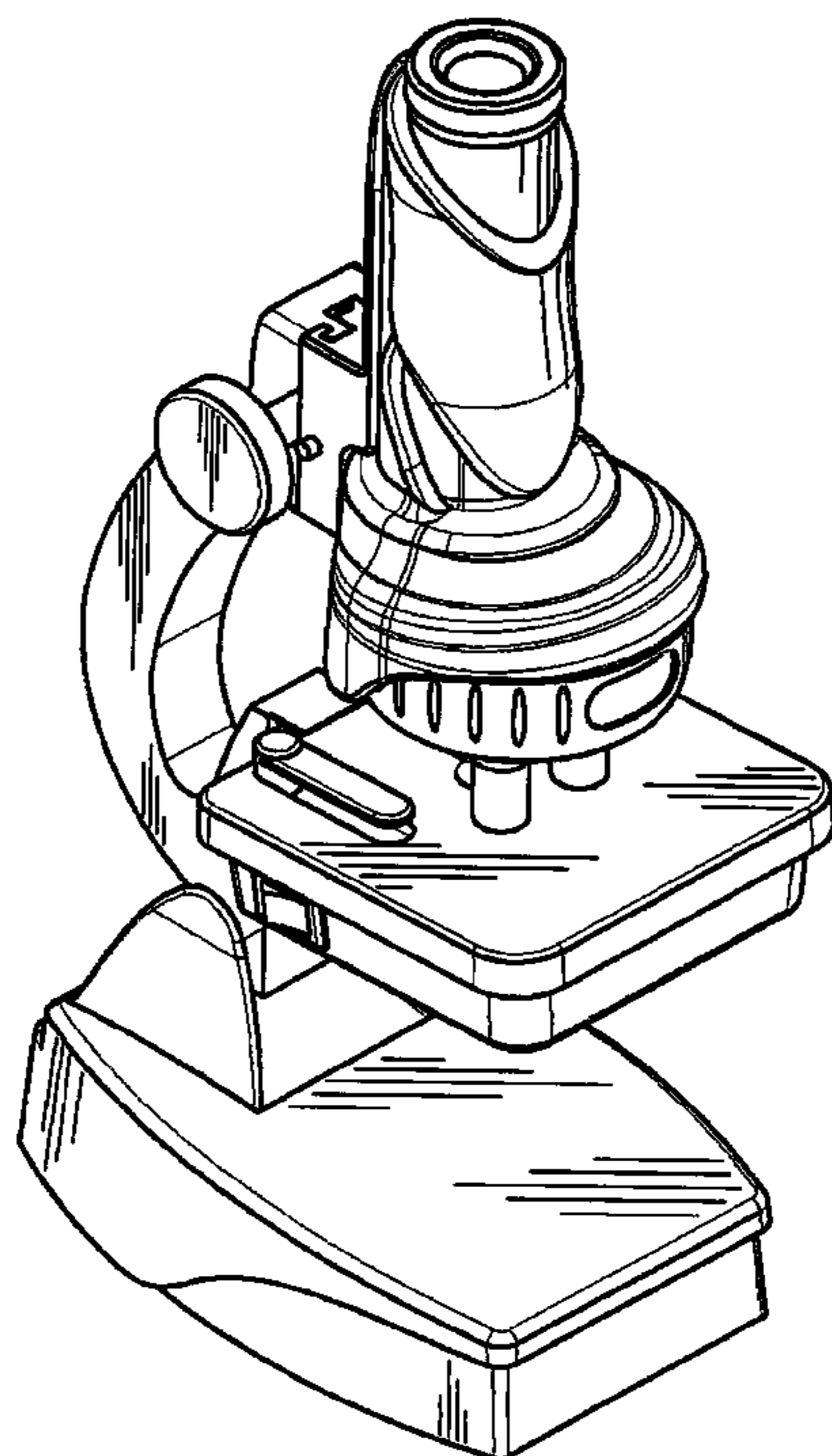
(57) **CLAIM**

The ornamental design for a microscope, as shown and described.

DESCRIPTION

FIG. 1 is a perspective view of a microscope, showing may new design;
 FIG. 2 is a front elevational view thereof;
 FIG. 3 is a rear elevational view thereof;
 FIG. 4 is left side view thereof;
 FIG. 5 is a right side view thereof;
 FIG. 6 is a top plan view thereof; and
 FIG. 7 is a bottom view thereof; where those illustrated by broken lines forms no part of the claimed design; and,
 FIG. 8 is another perspective view of the microscope viewing from a lower side thereof; where those illustrated by broken lines forms no part of the claimed design.

1 Claim, 8 Drawing Sheets



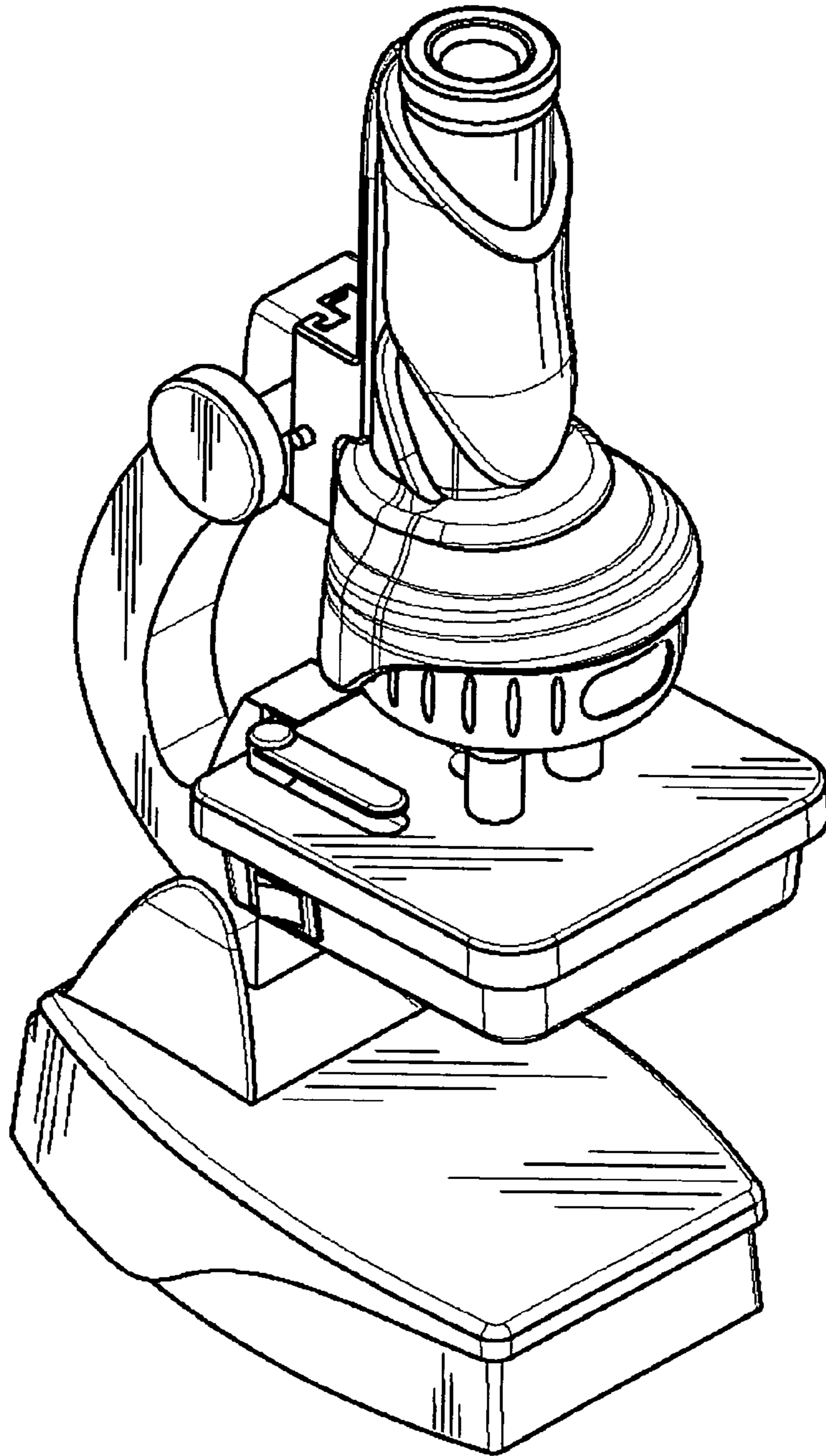


Fig. 1

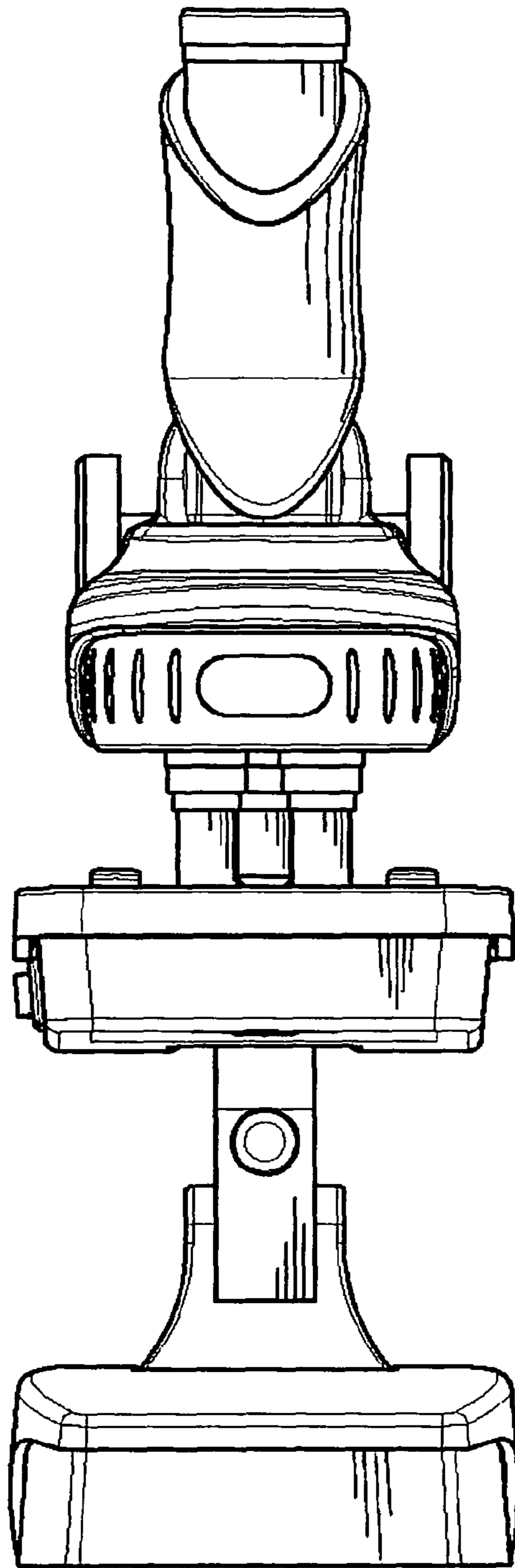


Fig. 2

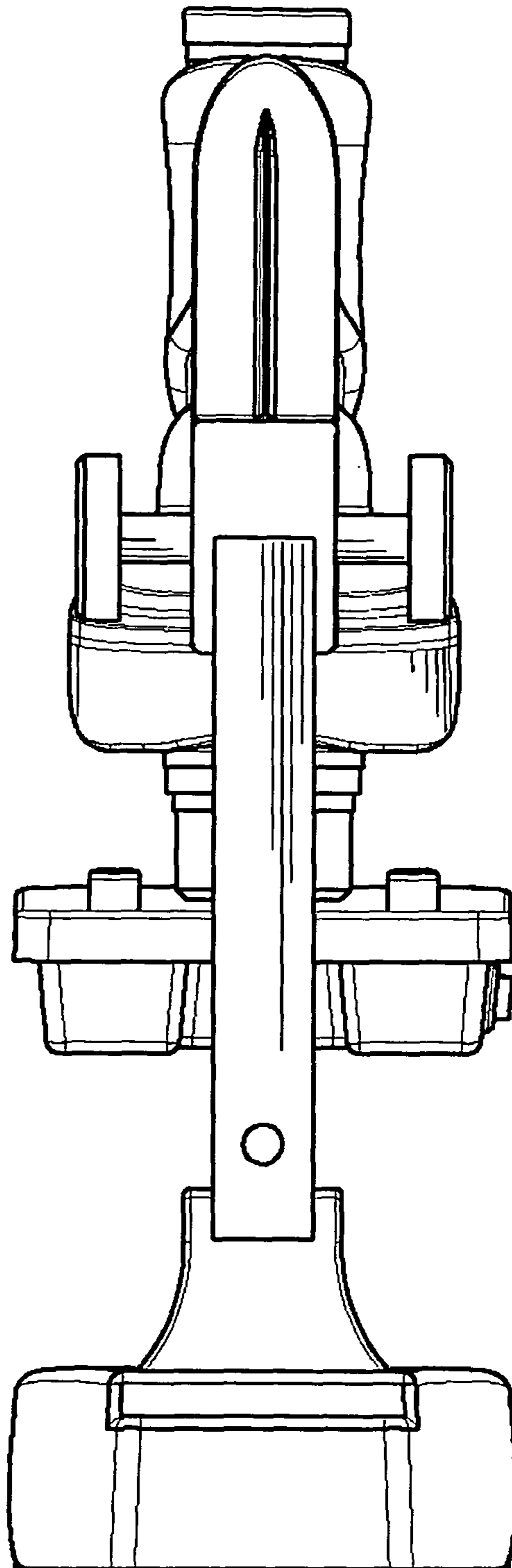


Fig. 3

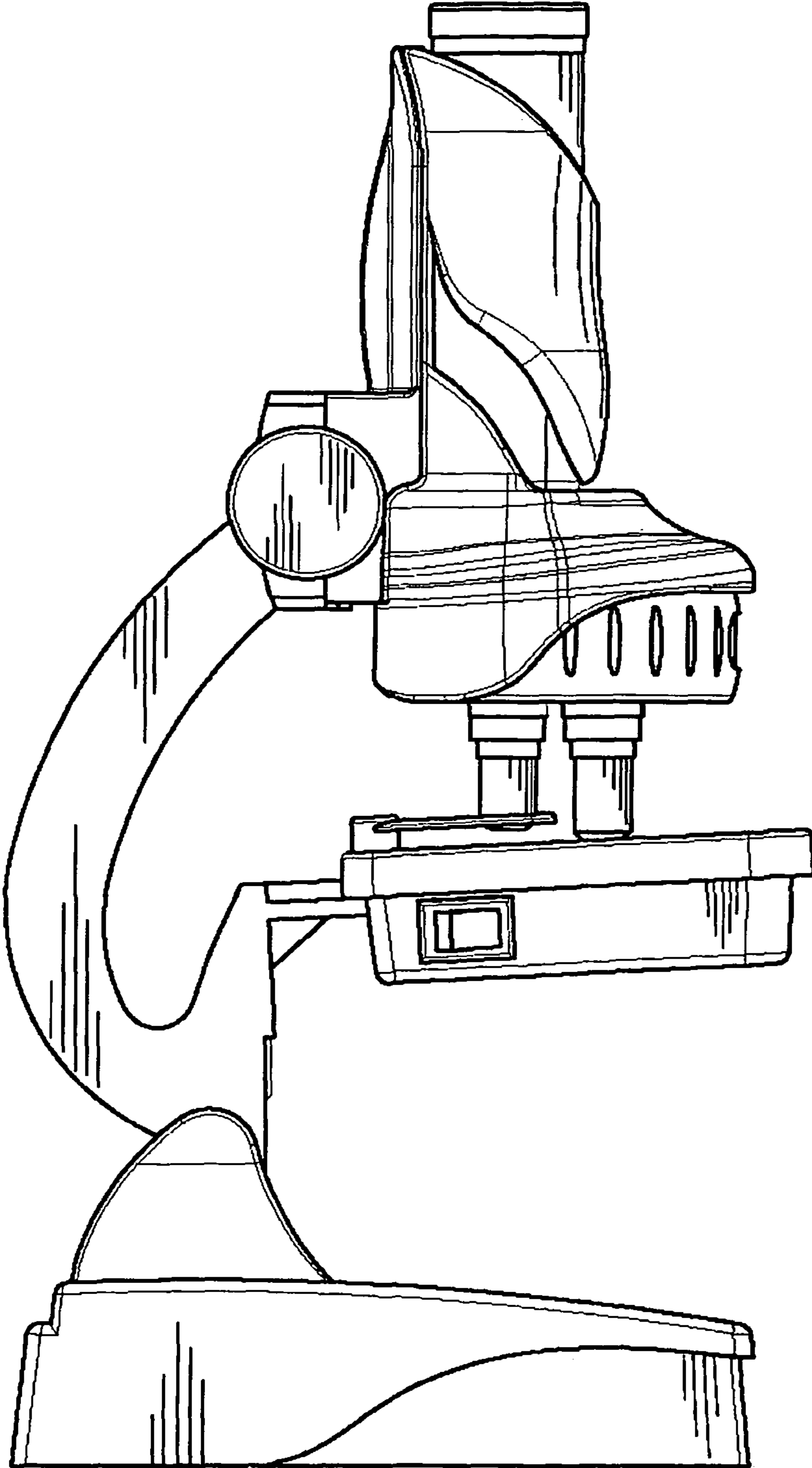


Fig. 4

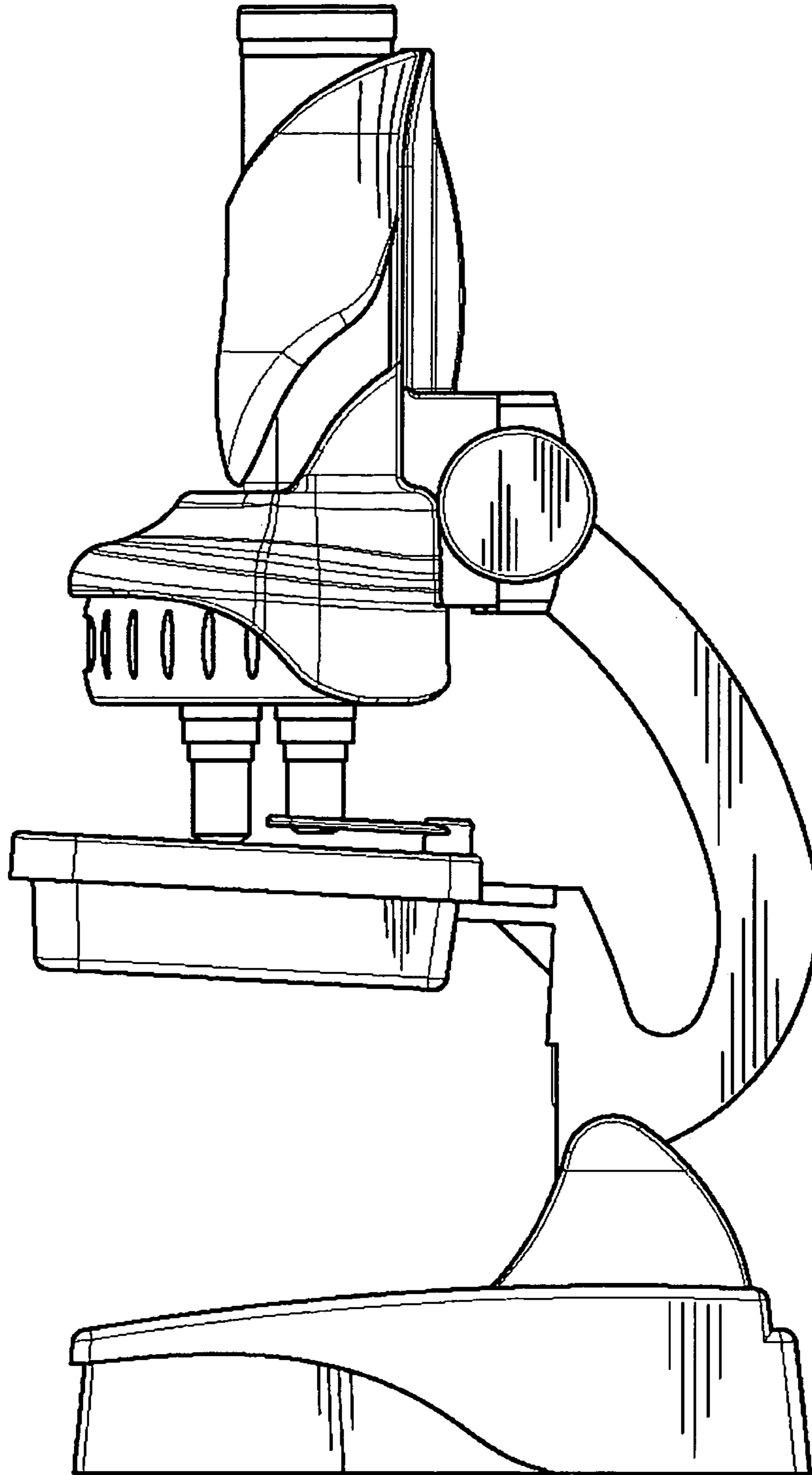


Fig. 5

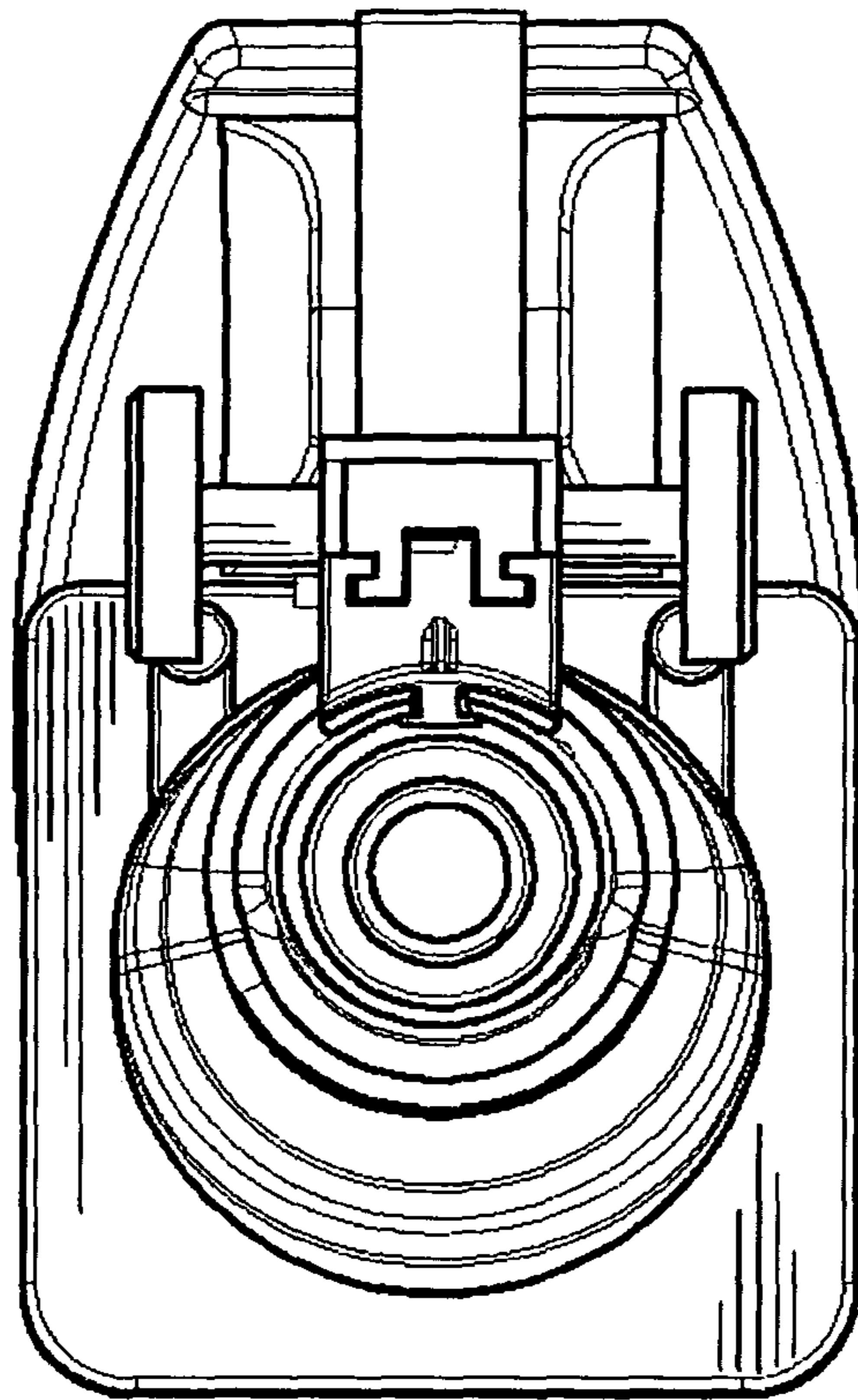


Fig. 6

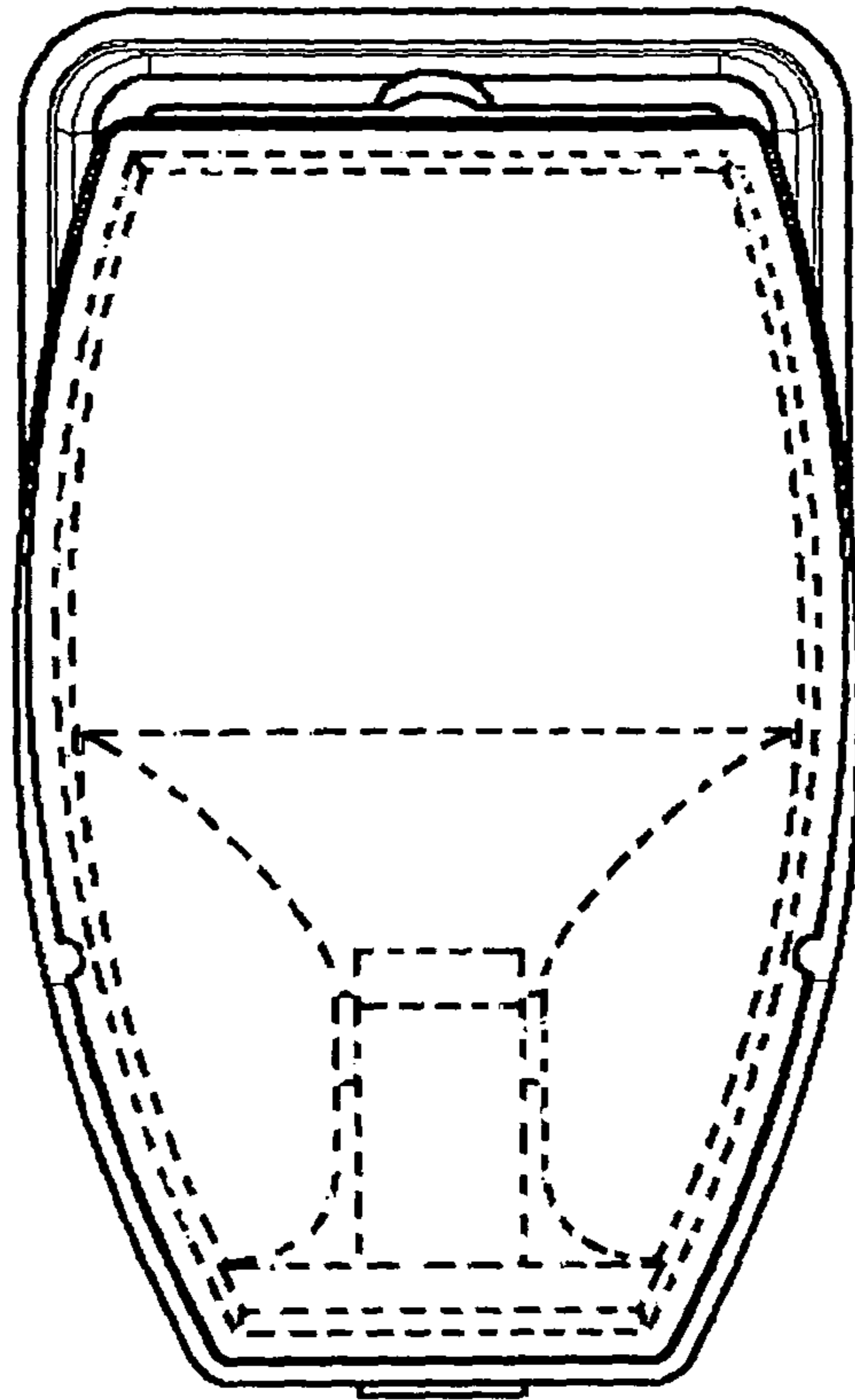


Fig. 7

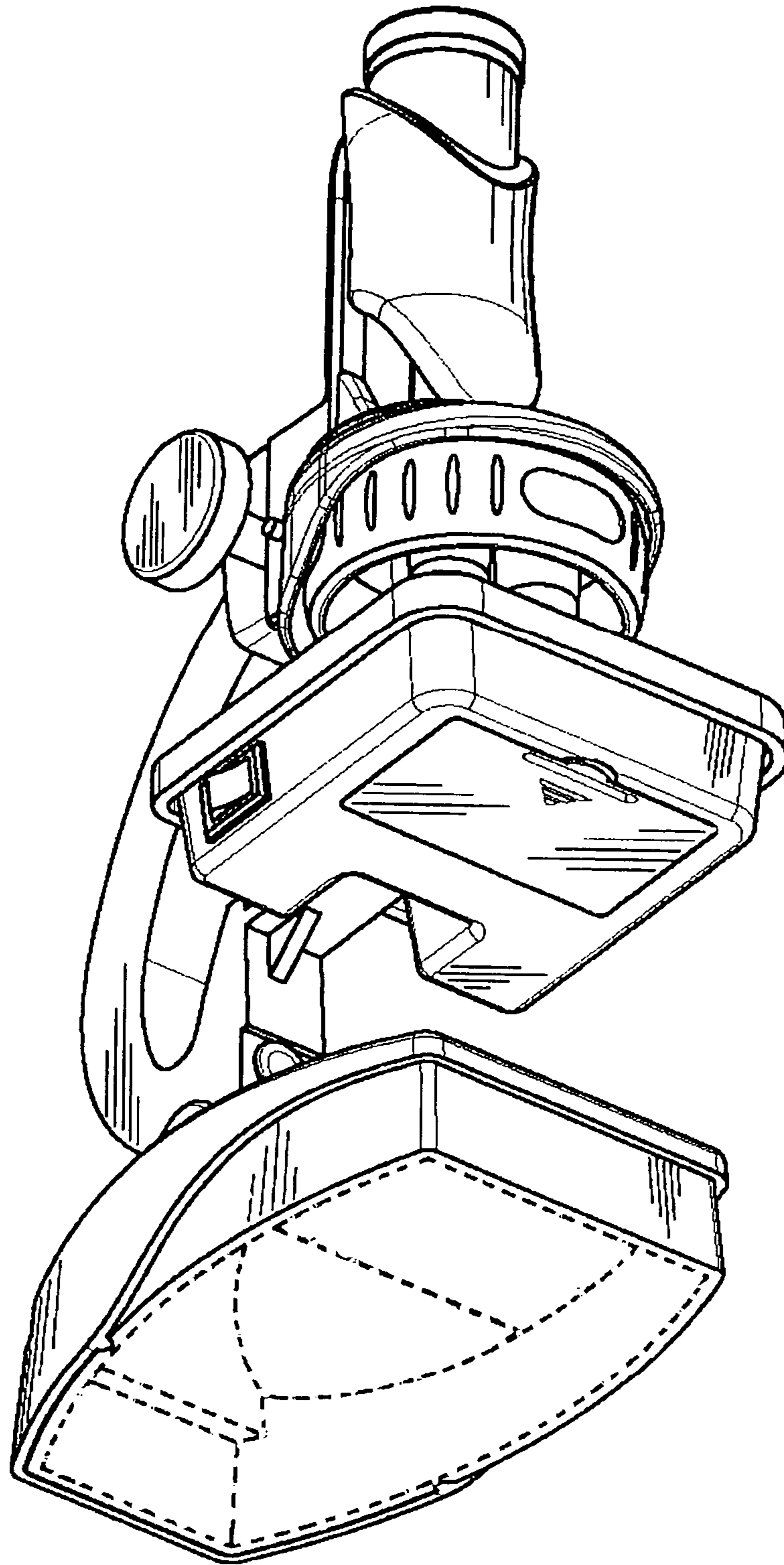


Fig. 8