



US00D681085S

(12) **United States Design Patent**
Mangold

(10) **Patent No.:** **US D681,085 S**
(45) **Date of Patent:** **** Apr. 30, 2013**

(54) **LINEAR DRIVE**

(71) Applicant: **Festo AG & Co. KG**, Esslingen (DE)

(72) Inventor: **Simone Mangold**, Esslingen (DE)

(73) Assignee: **Festo AG & Co. KG**, Esslingen (DE)

(**) Term: **14 Years**

(21) Appl. No.: **29/433,694**

(22) Filed: **Oct. 3, 2012**

(30) **Foreign Application Priority Data**

Apr. 5, 2012 (EM) 002020941-0001

(51) **LOC (9) Cl.** **15-09**

(52) **U.S. Cl.**
USPC **D15/143; D15/199**

(58) **Field of Classification Search** D13/118,
D13/158, 162, 184; D15/1-5, 7, 9, 143,
D15/148, 149, 199; 74/89.15, 90.15, 411.5,
74/490.09; 297/14, 325, 327; 310/10, 12,
310/15, 20, 80, 300

See application file for complete search history.

(56) **References Cited**

U.S. PATENT DOCUMENTS

D333,666 S * 3/1993 Kawashima et al. D15/142
5,273,381 A * 12/1993 Shirai 409/219
D361,388 S * 8/1995 Bischel D25/55
D361,580 S * 8/1995 Bauer D15/138

D375,508 S * 11/1996 Shiino et al. D15/143
D413,129 S 8/1999 Nagai et al.
D456,826 S * 5/2002 Nagai et al. D15/143
D543,221 S 5/2007 Nagai et al.
D587,733 S * 3/2009 Niedermeyer D15/143
D595,752 S * 7/2009 Lin et al. D15/143
D596,653 S 7/2009 Fukano et al.
D611,514 S * 3/2010 Fukano et al. D15/143
D624,098 S * 9/2010 Fukano et al. D15/143
D624,099 S * 9/2010 Fukano et al. D15/143
D624,572 S * 9/2010 Fukano et al. D15/143
D636,799 S * 4/2011 Fukano et al. D15/143
D656,169 S * 3/2012 Fukano et al. D15/143
D664,169 S * 7/2012 Shirai et al. D15/143
2008/0048514 A1 * 2/2008 Hoffmann et al. 310/78

* cited by examiner

Primary Examiner — Patricia Palasik

(74) *Attorney, Agent, or Firm* — Hoffmann & Baron, LLP

(57) **CLAIM**

The ornamental design for a linear drive, as shown and described.

DESCRIPTION

FIG. 1 is a top perspective view of a linear drive showing my new design;

FIG. 2 is a left side view thereof;

FIG. 3 is a right side view thereof;

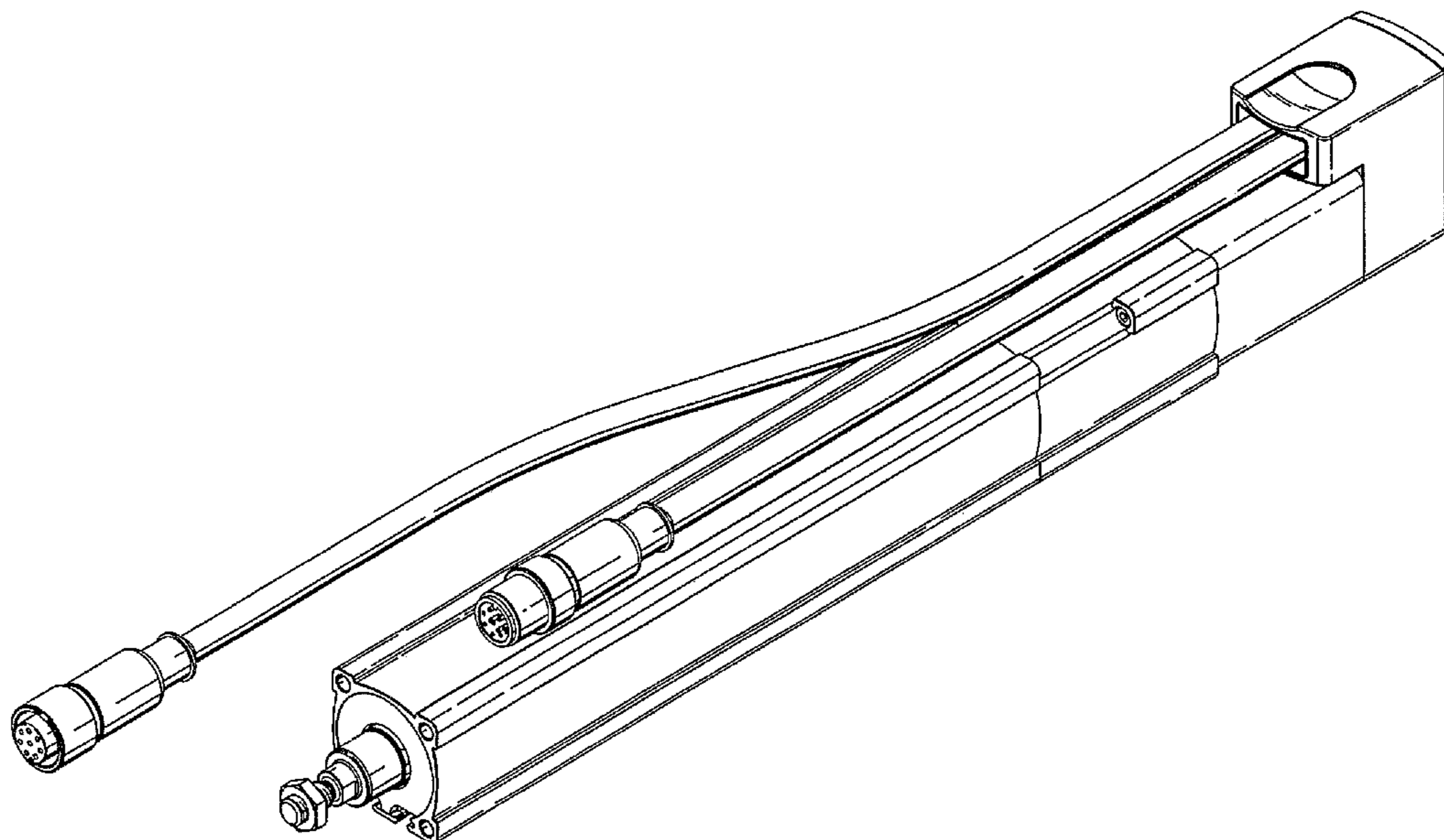
FIG. 4 is a front view thereof;

FIG. 5 is a rear view thereof;

FIG. 6 is a top plan view thereof; and,

FIG. 7 is a bottom plan view thereof.

1 Claim, 7 Drawing Sheets



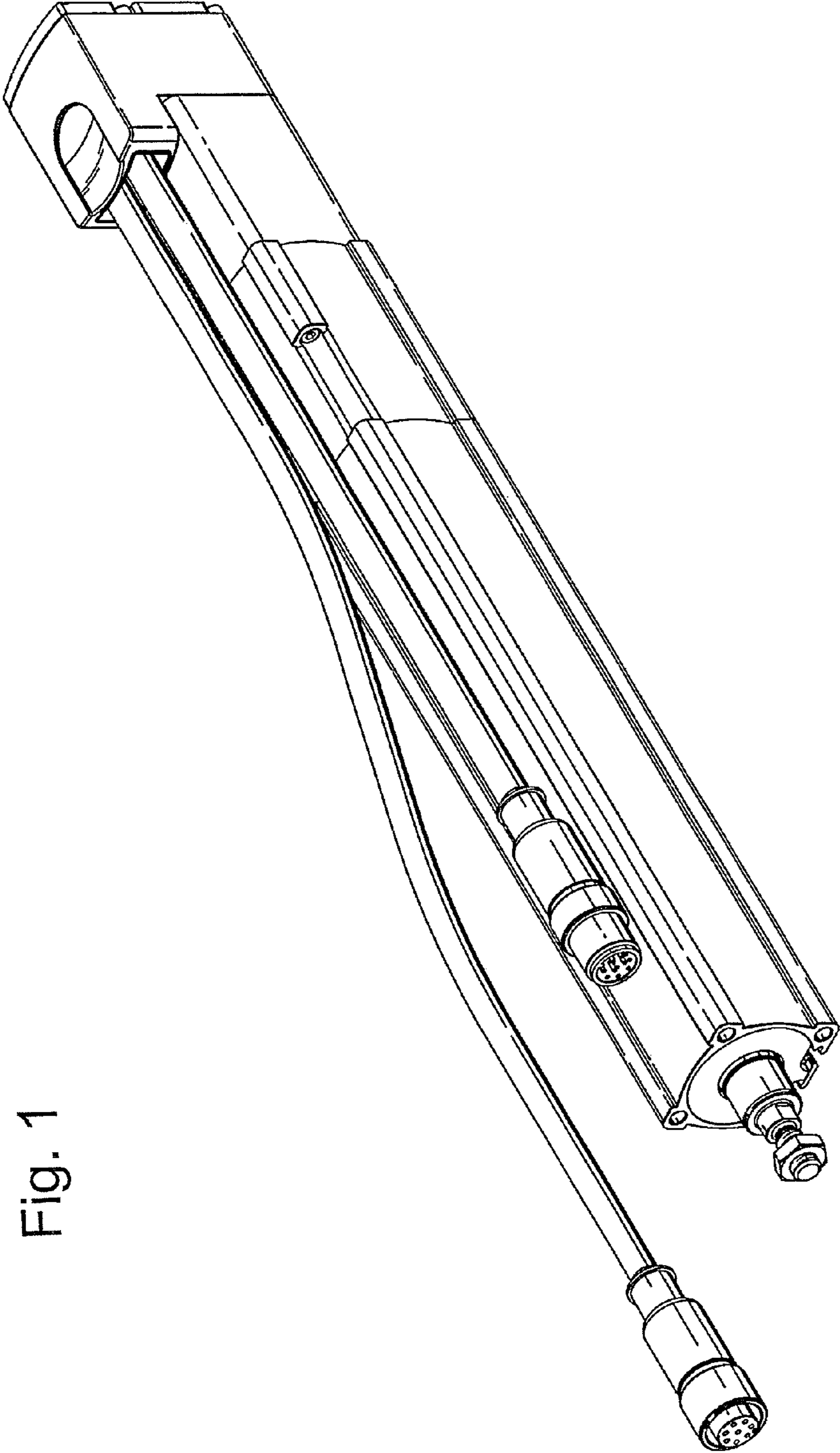


Fig. 1



Fig. 2

Fig. 3



Fig. 4

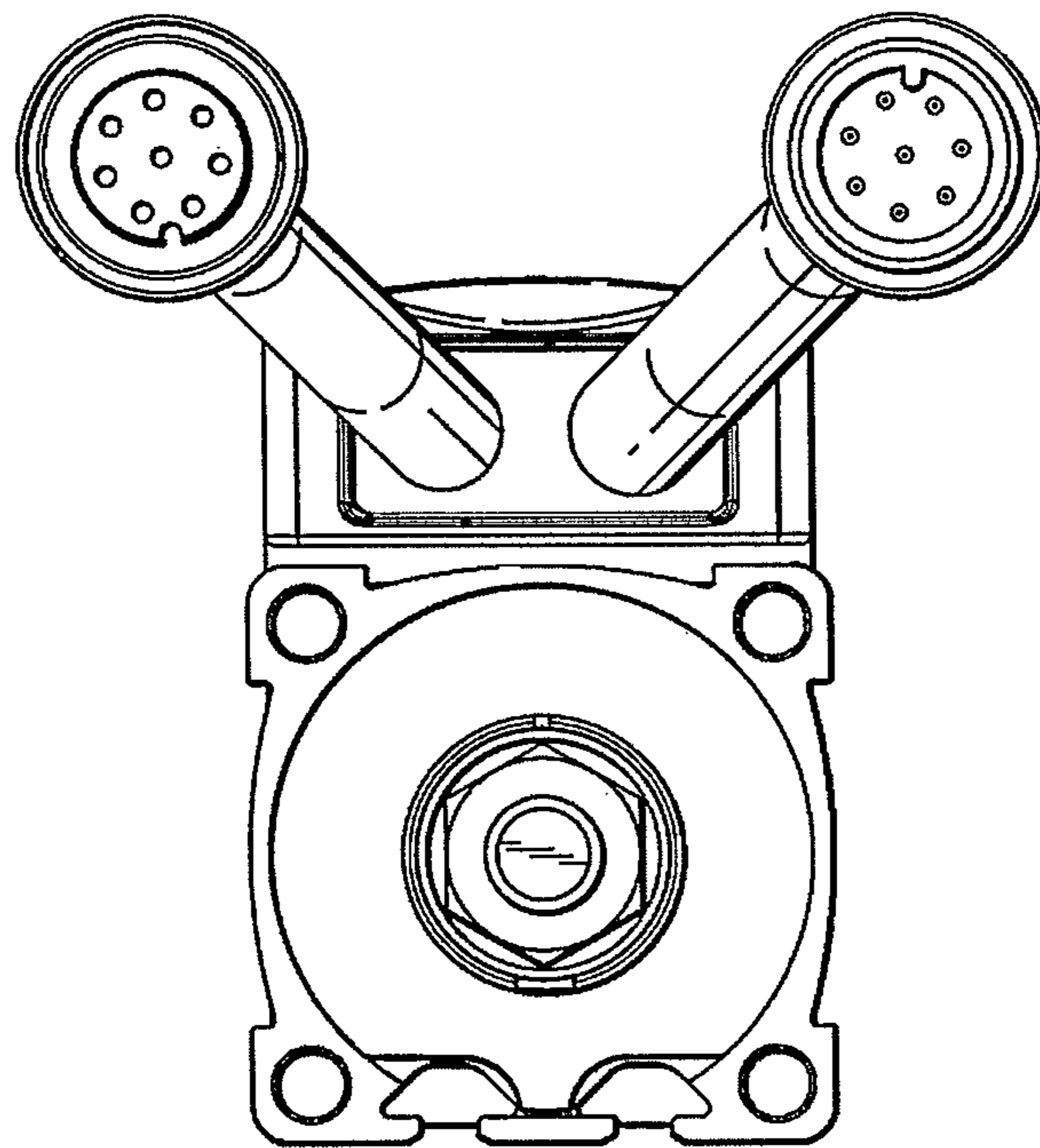
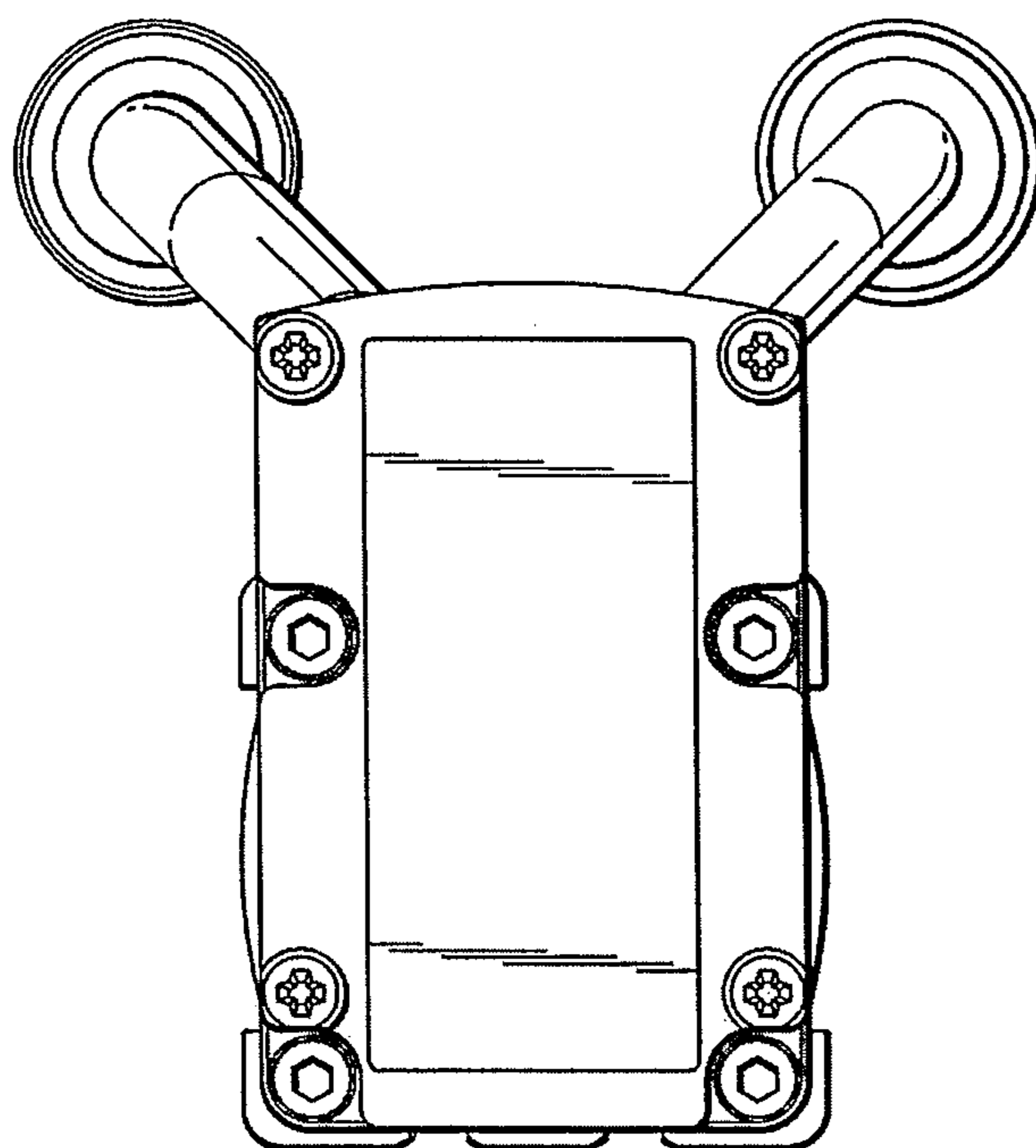


Fig. 5



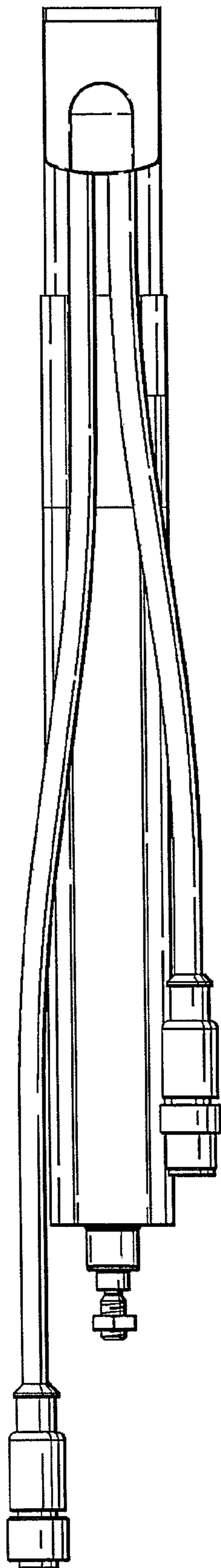


Fig. 6

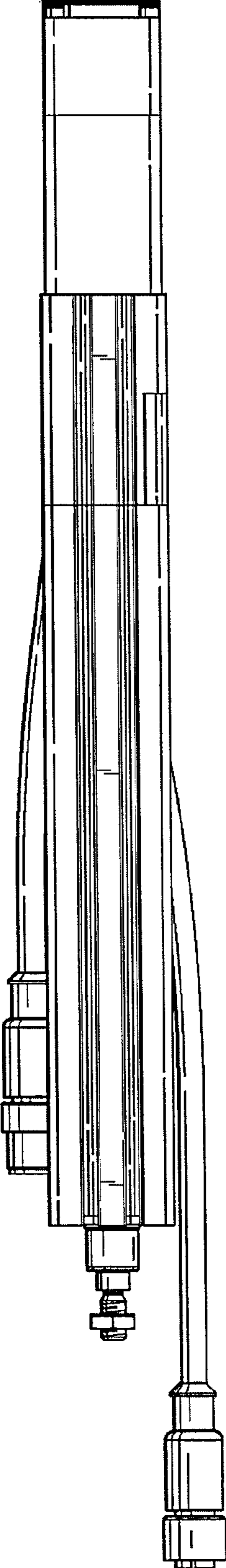


Fig. 7