

US00D681080S

(12) **United States Design Patent**
Wang

(10) **Patent No.:** **US D681,080 S**

(45) **Date of Patent:** **** Apr. 30, 2013**

(54) **HOLE DRILLING MACHINE WITH
MAGNETIC HOLDER**

(71) Applicant: **Ting Fong Electric & Machinery Co.,
Ltd., New Taipei (TW)**

(72) Inventor: **Hsien-Pei Wang, New Taipei (TW)**

(73) Assignee: **Ting Fong Electric & Machinery Co.,
Ltd., New Taipei (TW)**

(**) Term: **14 Years**

(21) Appl. No.: **29/440,038**

(22) Filed: **Dec. 18, 2012**

(51) **LOC (9) Cl.** **15-09**

(52) **U.S. Cl.**
USPC **D15/132**

(58) **Field of Classification Search** D8/107,
D8/300; D15/132; 29/26 A, 560; 144/1.1,
144/46, 253.2, 365; 408/20, 87, 91, 103,
408/110, 129, 135, 140, 220, 227
See application file for complete search history.

(56) **References Cited**

U.S. PATENT DOCUMENTS

4,261,673 A * 4/1981 Hougen 408/5
D348,074 S * 6/1994 Asano D15/132

5,415,503 A * 5/1995 Strange et al. 408/76
6,102,633 A * 8/2000 Uehlein-Proctor 408/129
D447,494 S * 9/2001 Miller D15/132
D459,372 S * 6/2002 Asano D15/132
D470,868 S * 2/2003 Welsh D15/132
D560,234 S * 1/2008 Shimada D15/132
D591,318 S * 4/2009 Shimada D15/132
2010/0028093 A1 * 2/2010 Otsuka 408/10

* cited by examiner

Primary Examiner — Patricia Palasik

(74) *Attorney, Agent, or Firm* — Muncy, Geissler, Olds &
Lowe, PLLC

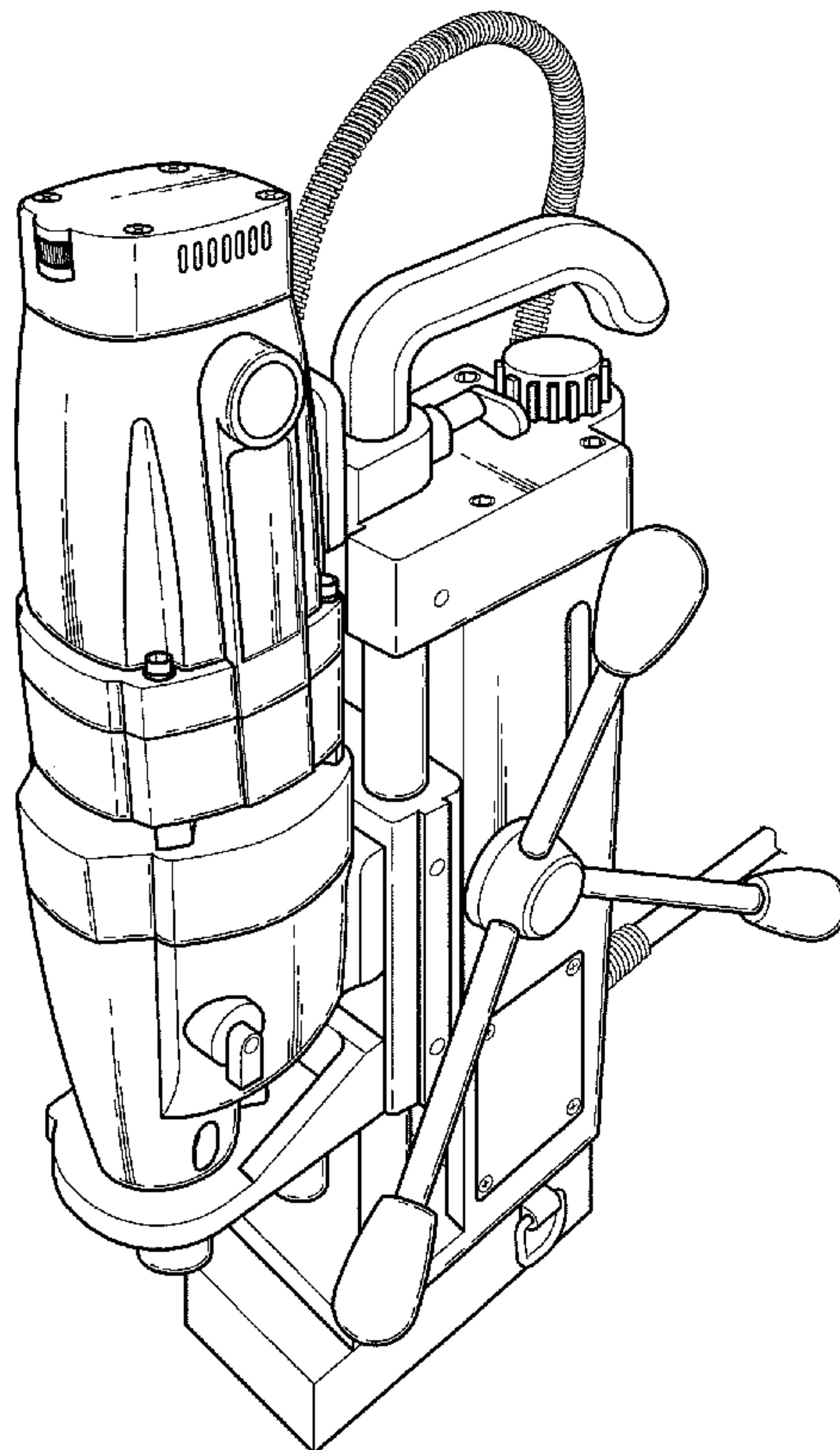
(57) **CLAIM**

The ornamental design for a hole drilling machine with mag-
netic holder, as shown and described.

DESCRIPTION

FIG. 1 is a perspective view of “hole drilling machine with
magnetic holder” showing my new design thereof;
FIG. 2 shows that a right side view thereof;
FIG. 3 is a top view thereof;
FIG. 4 is a front side elevation view thereof;
FIG. 5 is a left side elevation view thereof; and,
FIG. 6 is a rear perspective view thereof.

1 Claim, 6 Drawing Sheets



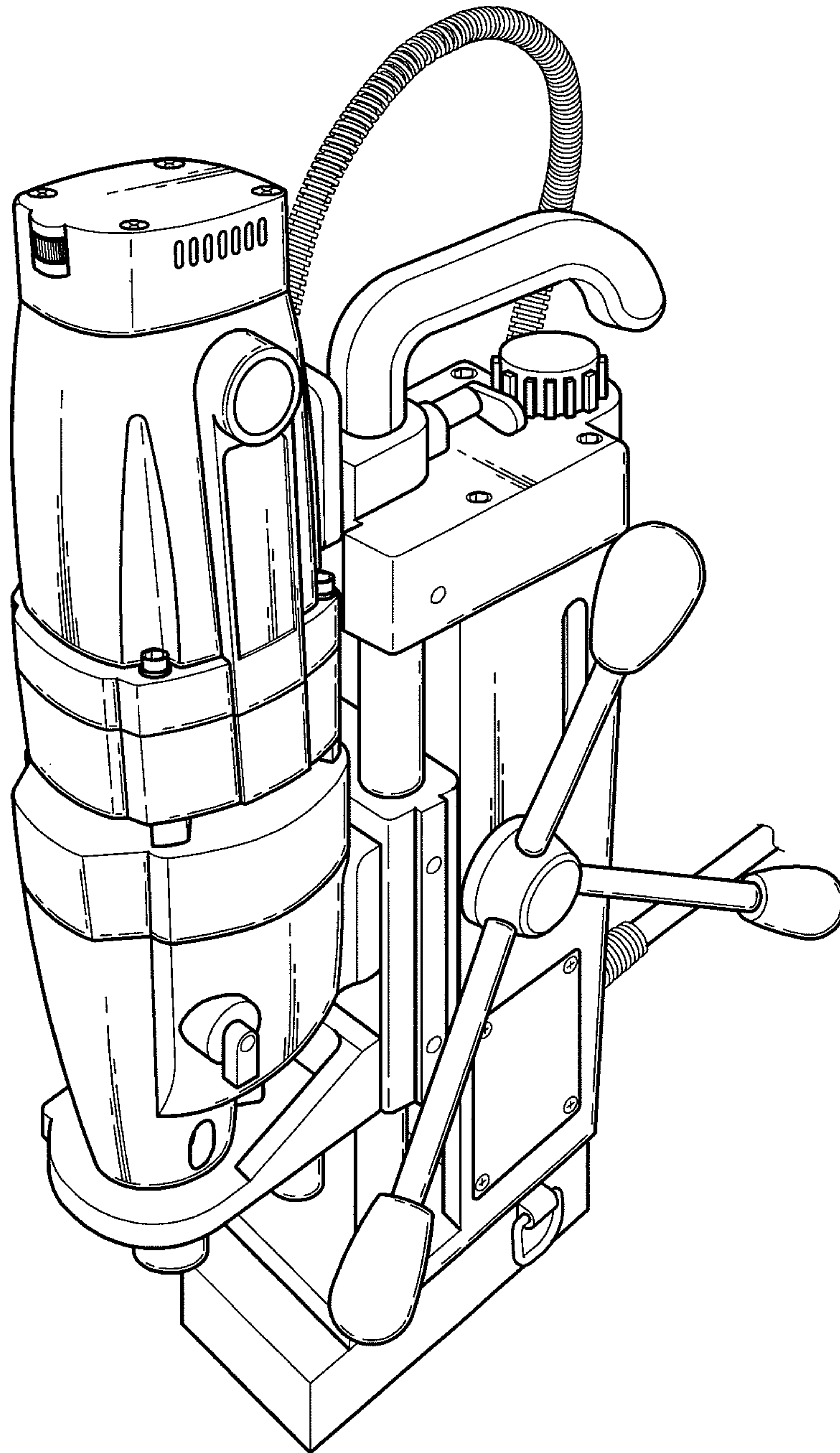


Fig. 1

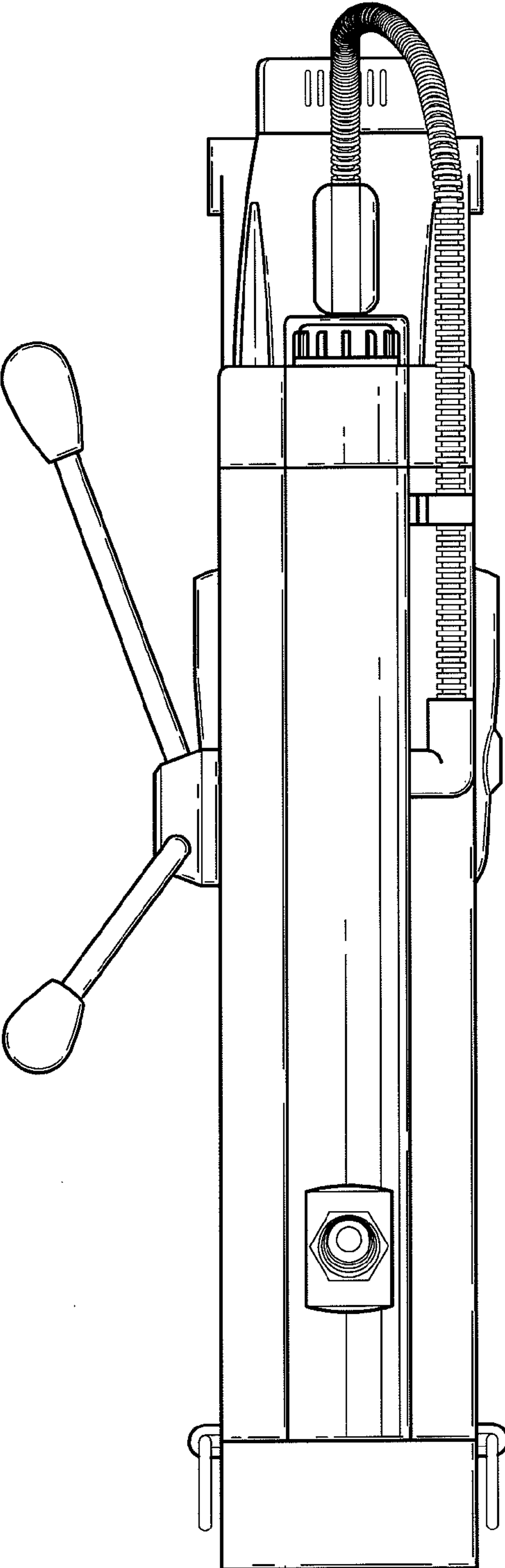


Fig. 2

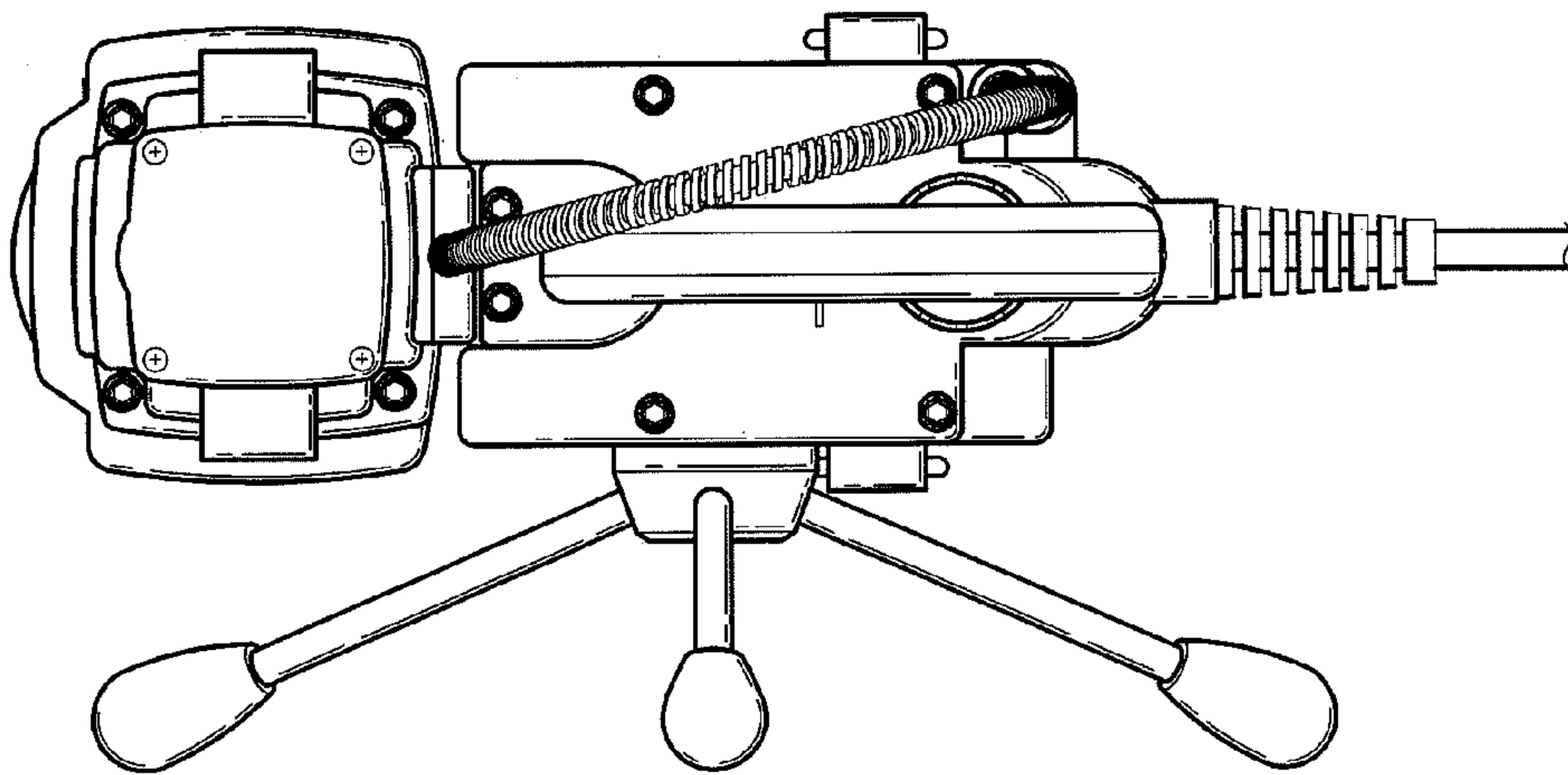


Fig. 3

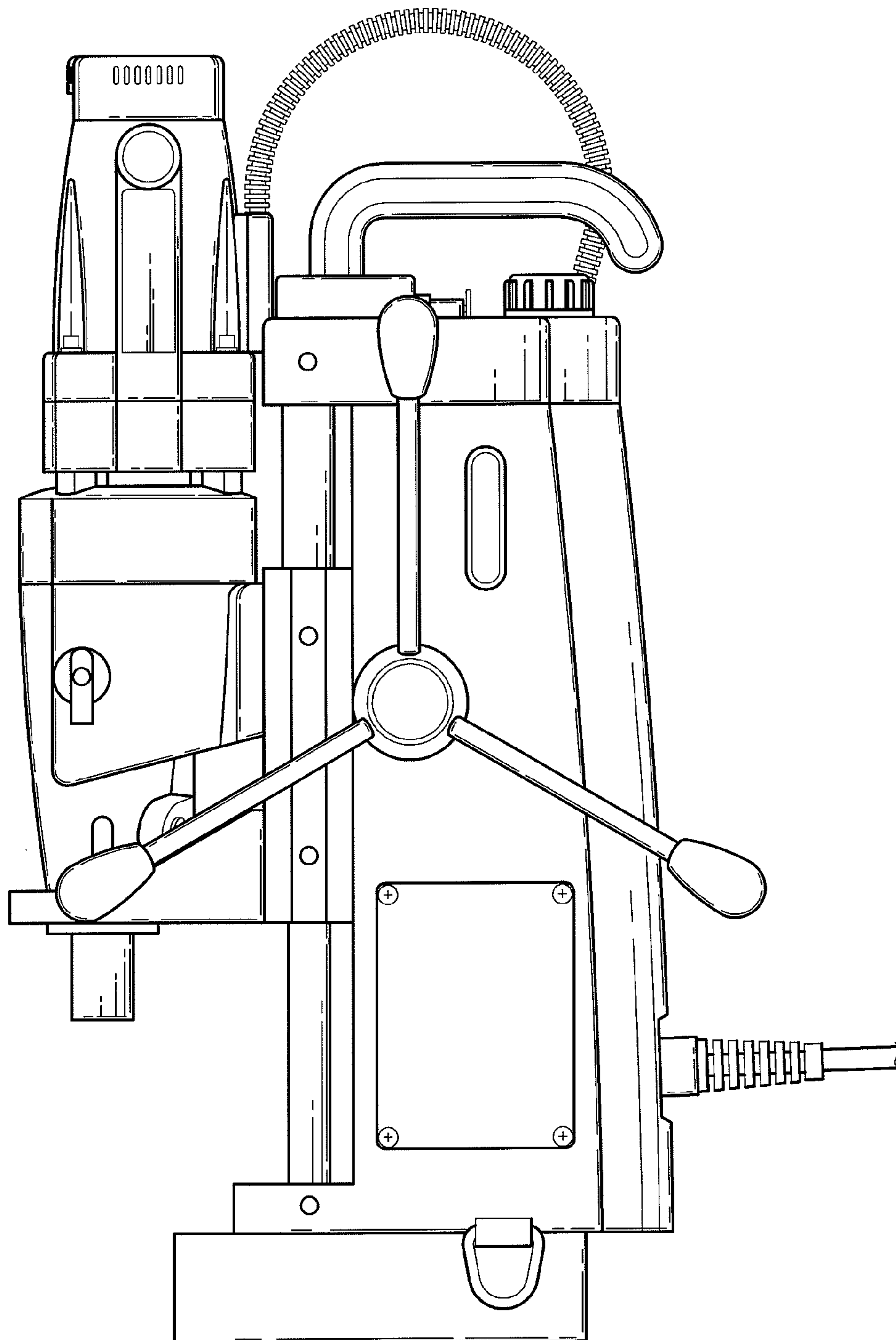


Fig. 4

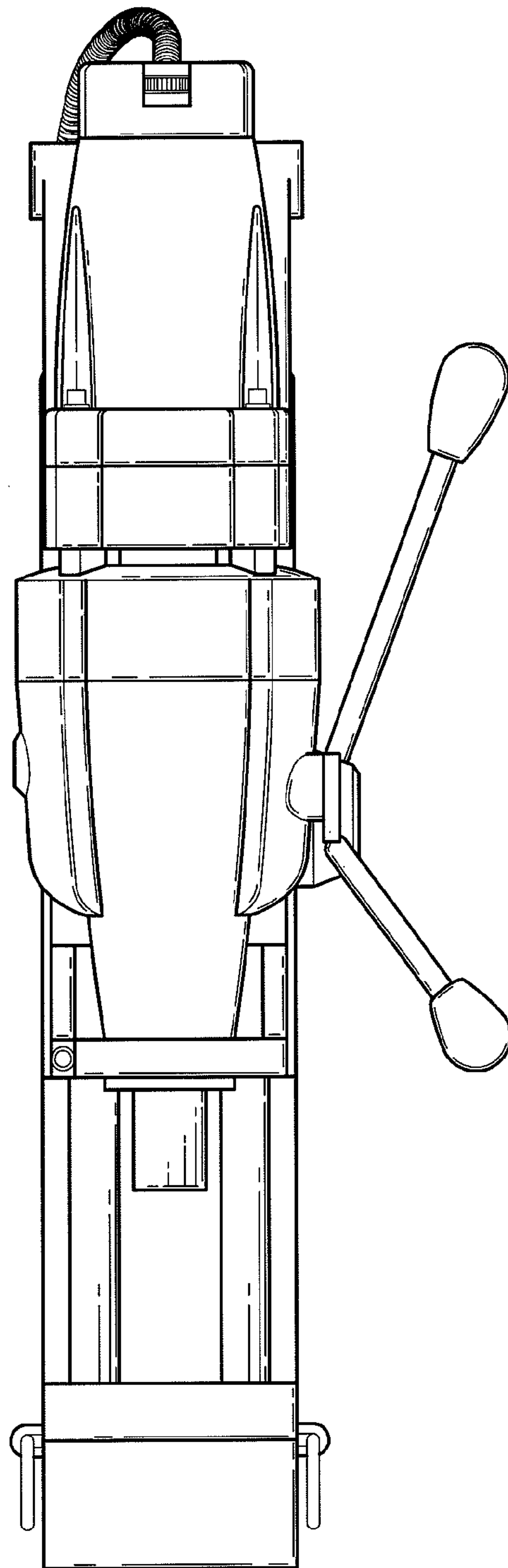


Fig. 5

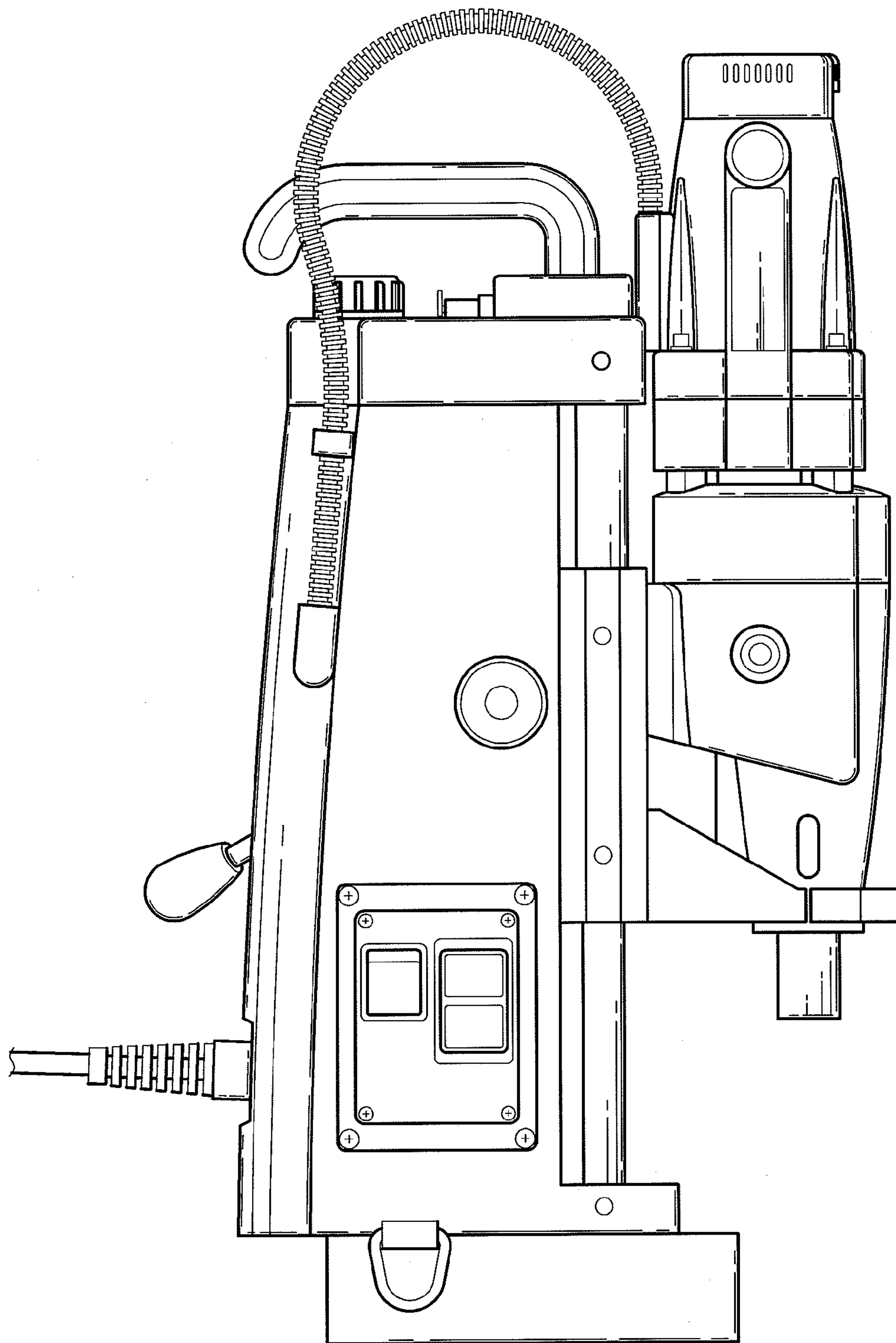


Fig. 6