



US00D681079S

(12) **United States Design Patent**
Gokhale et al.

(10) **Patent No.:** **US D681,079 S**
(45) **Date of Patent:** **** Apr. 30, 2013**

- (54) **PULSE PROCESSING MACHINE**
- (75) Inventors: **Prashant Gokhale**, Bangalore (IN);
Duvvuri Srinivas, Bangalore (IN)
- (73) Assignee: **Buhler (Indiana) Pvt. Ltd.**, Bangalore (IN)
- (**) Term: **14 Years**
- (21) Appl. No.: **29/381,926**
- (22) Filed: **Dec. 27, 2010**

Primary Examiner — Patricia Palasik
(74) *Attorney, Agent, or Firm* — Marshall, Gerstein & Borun LLP

(30) **Foreign Application Priority Data**

- Jul. 19, 2010 (IN) 230333
- (51) **LOC (9) Cl.** **15-09**
- (52) **U.S. Cl.**
USPC **D15/131**
- (58) **Field of Classification Search** D15/124,
D15/125, 126, 131, 147, 199; 99/488, 519,
99/524, 606, 609, 611; 241/46.02, 56, 74,
241/92, 154, 189.1, 194, 195, 291
See application file for complete search history.

(57) **CLAIM**
The ornamental design for a pulse processing machine, as shown and described.

DESCRIPTION

FIG. 1 is a top, front, and left-side isometric view of a pulse processing machine showing the design.
 FIG. 2 is a top, rear, and left-side isometric view of the pulse processing machine.
 FIG. 3 is a top, front, and right-side isometric view of the pulse processing machine.
 FIG. 4 is a top, rear, and right-side isometric view of the pulse processing machine.
 FIG. 5 is a front view of the pulse processing machine.
 FIG. 6 is a rear view of the pulse processing machine.
 FIG. 7 is a left-side view of the pulse processing machine.
 FIG. 8 is a right-side view of the pulse processing machine.
 FIG. 9 is a top view of the pulse processing machine; and,
 FIG. 10 is a bottom view of the pulse processing machine.
 The broken line showing in the figures is for the purpose of illustrating unclaimed portions of the pulse processing machine.

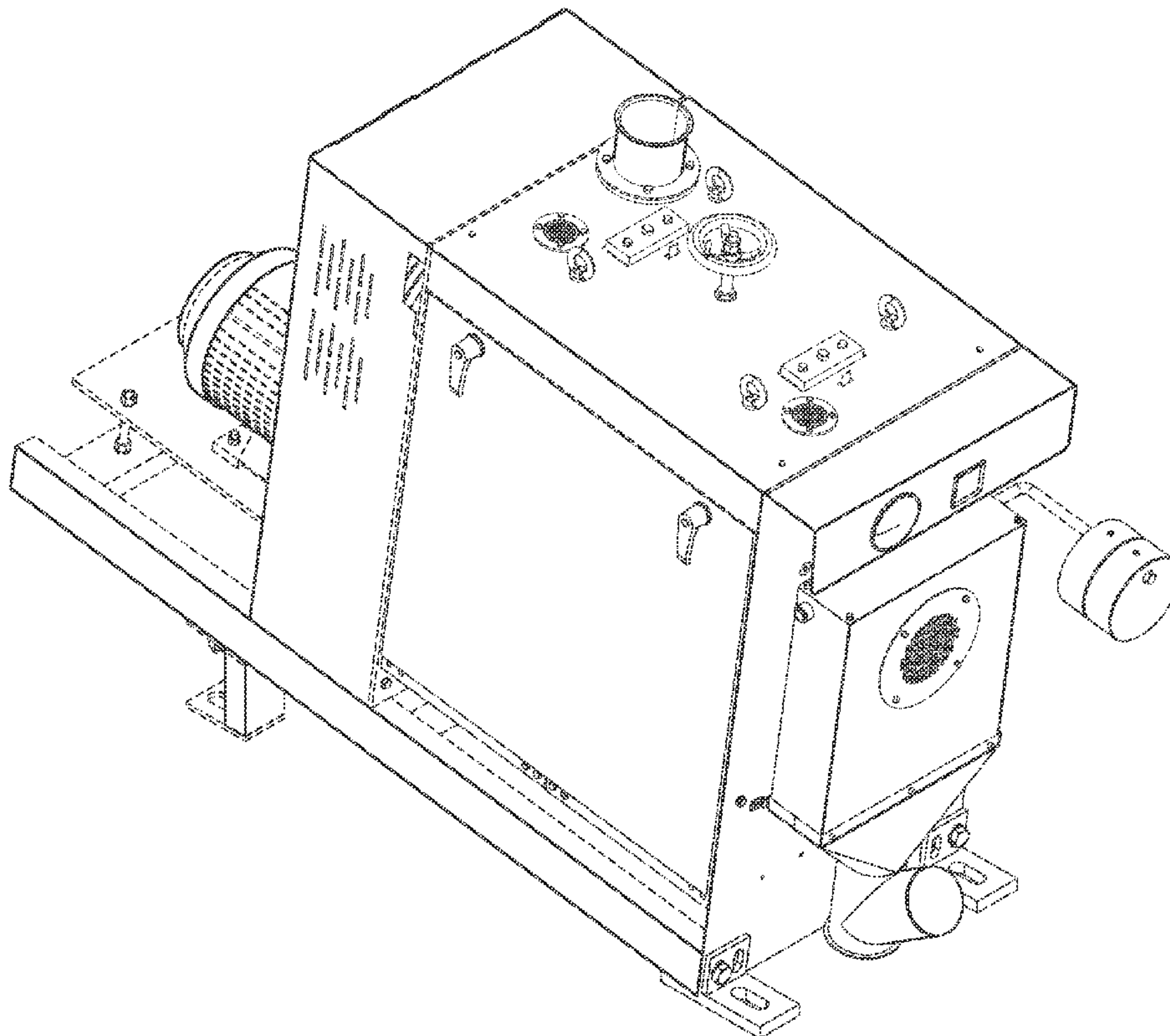
(56) **References Cited**

U.S. PATENT DOCUMENTS

- D515,602 S * 2/2006 Hakoh et al. D15/199
- D651,622 S * 1/2012 Tobler D15/131
- 2004/0027023 A1 * 2/2004 Kuenzel et al. 310/179

* cited by examiner

1 Claim, 8 Drawing Sheets



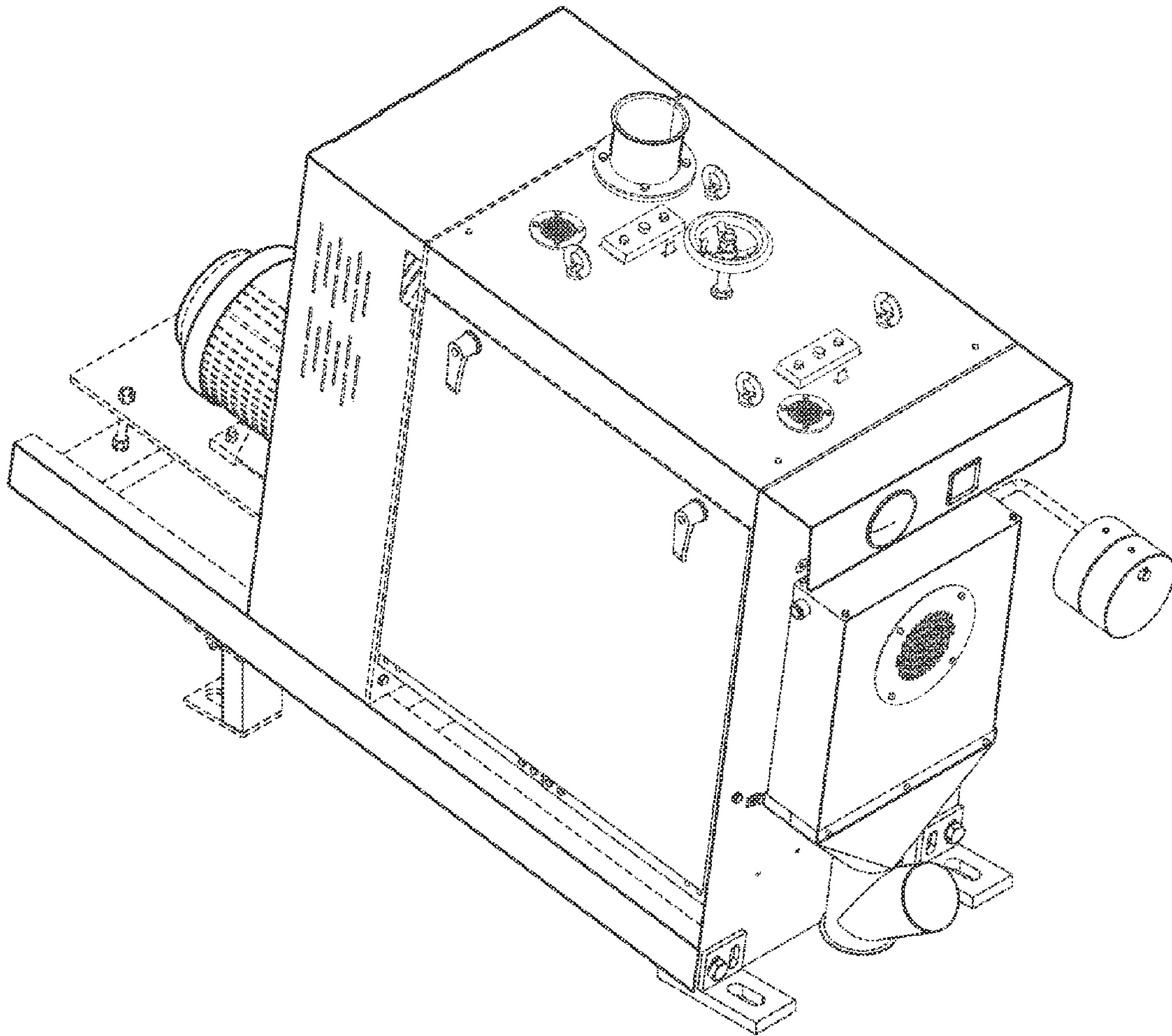


FIG. 1

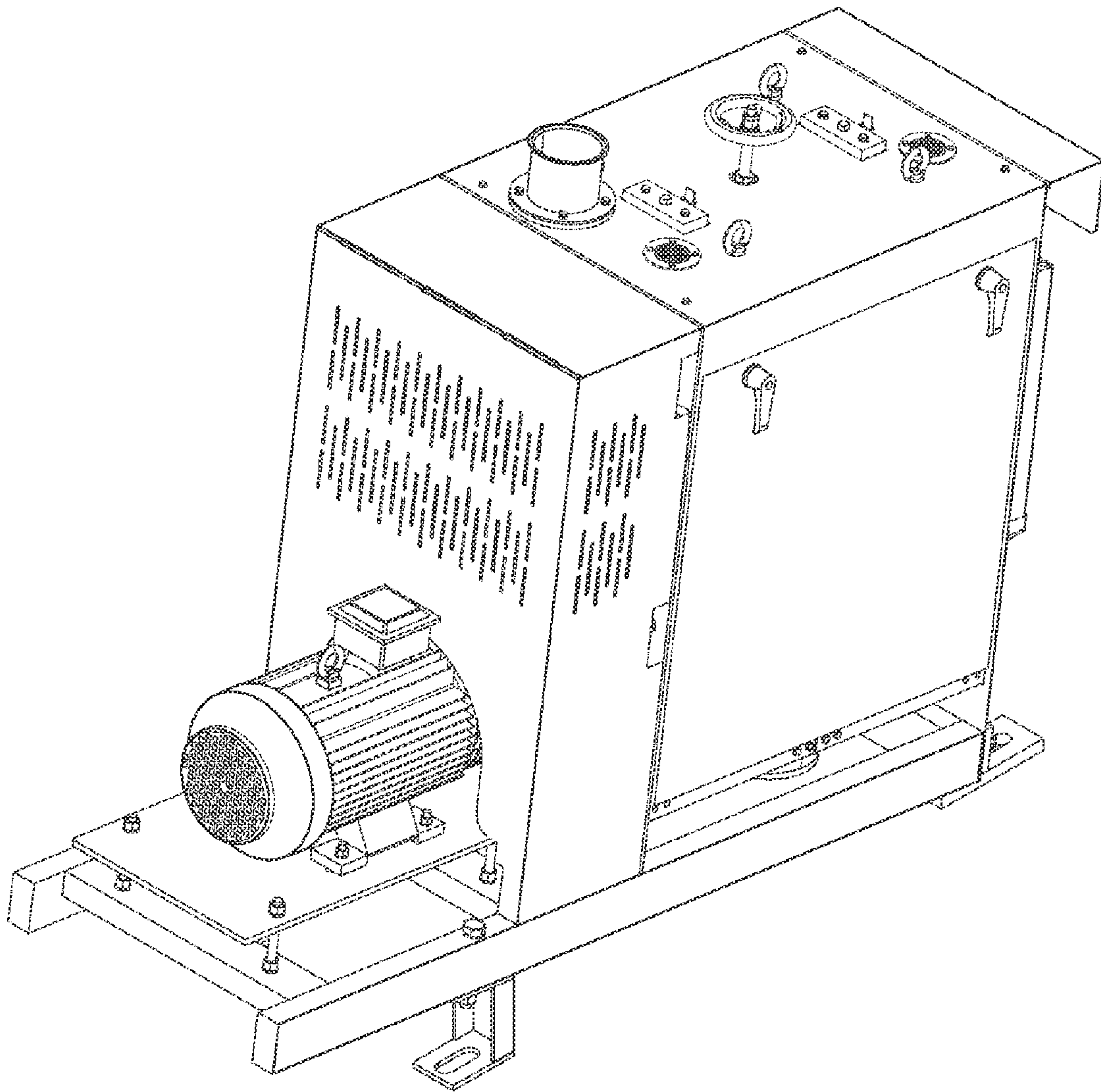


FIG. 2

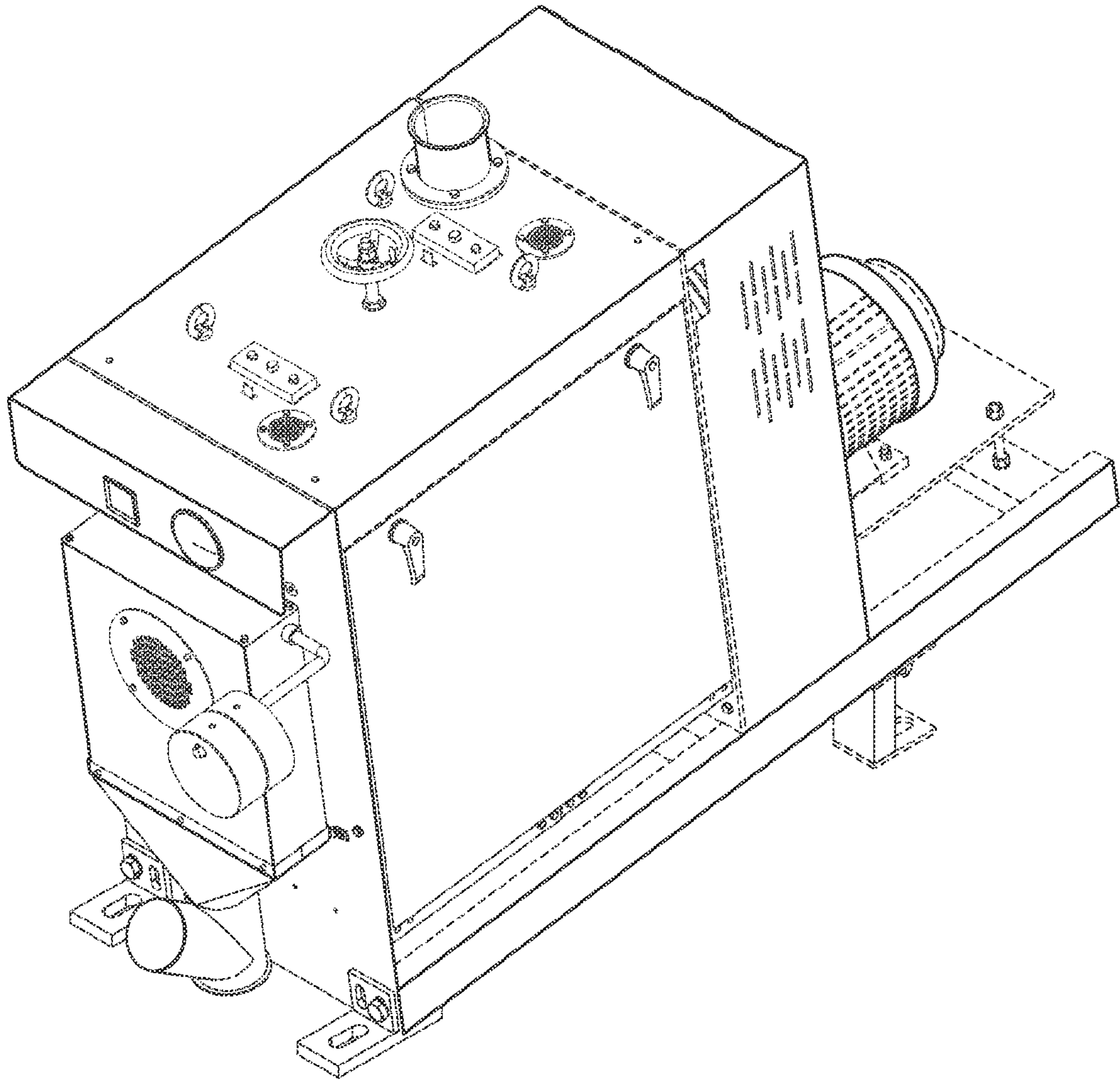


FIG. 3

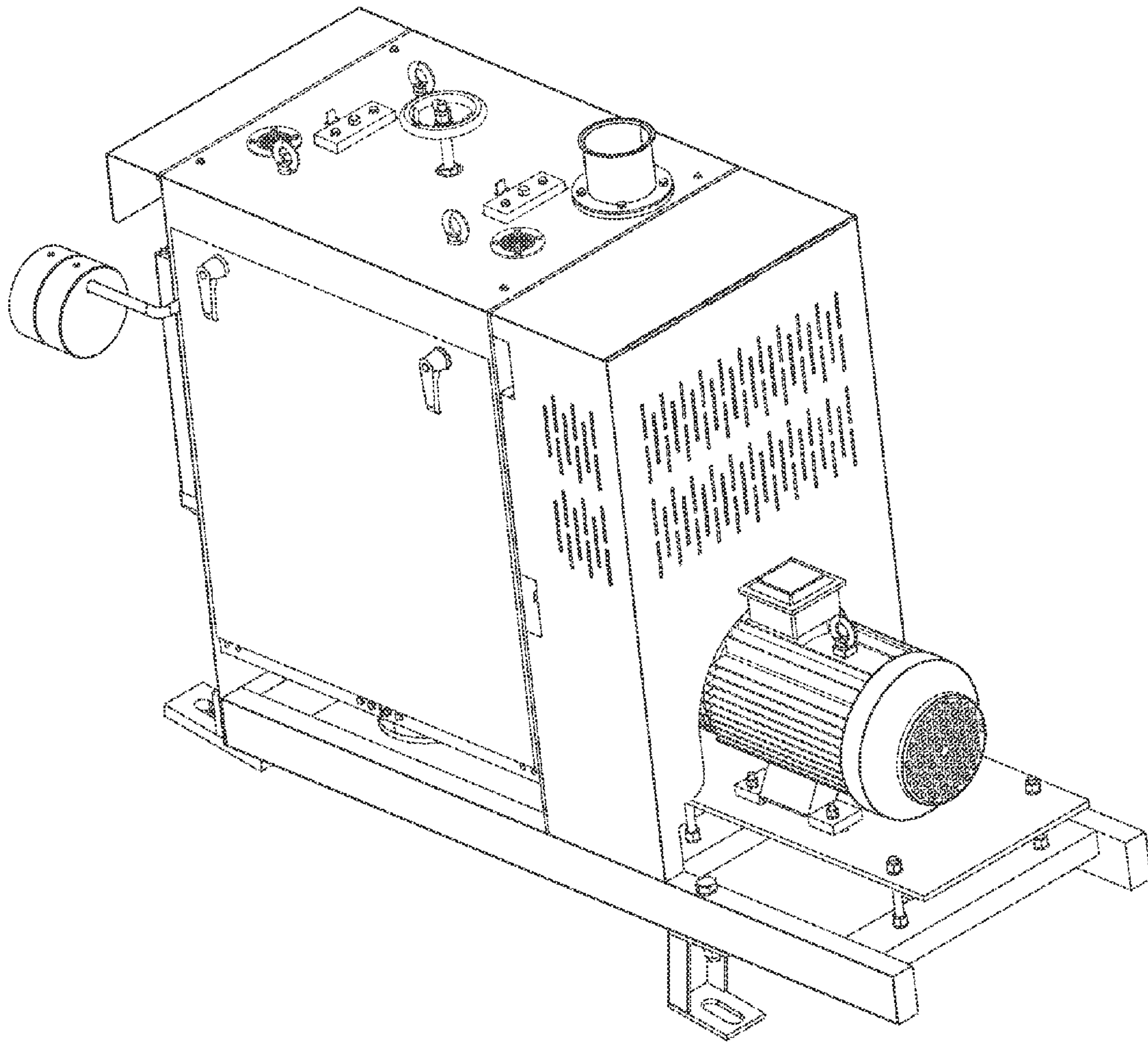


FIG. 4

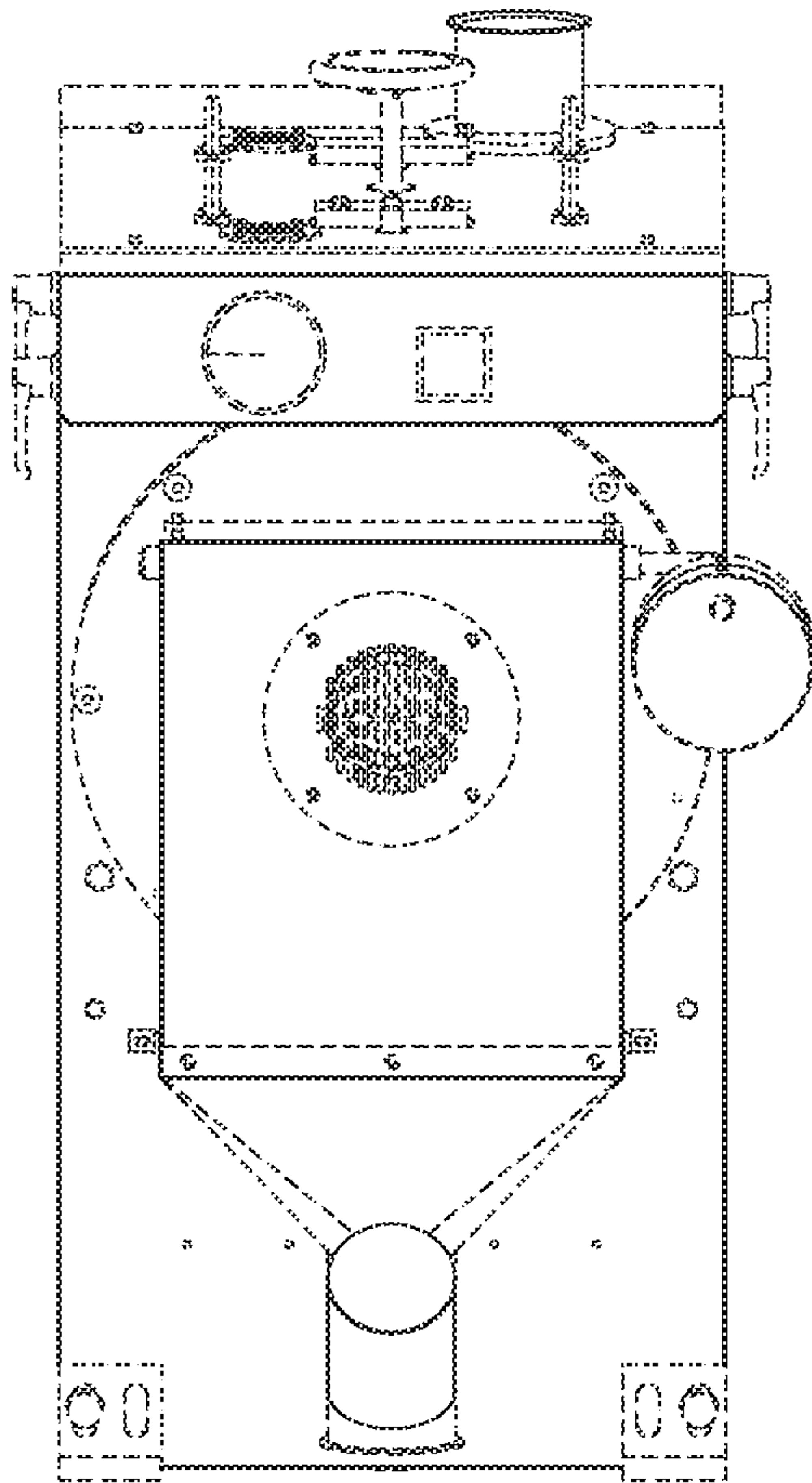


FIG. 5

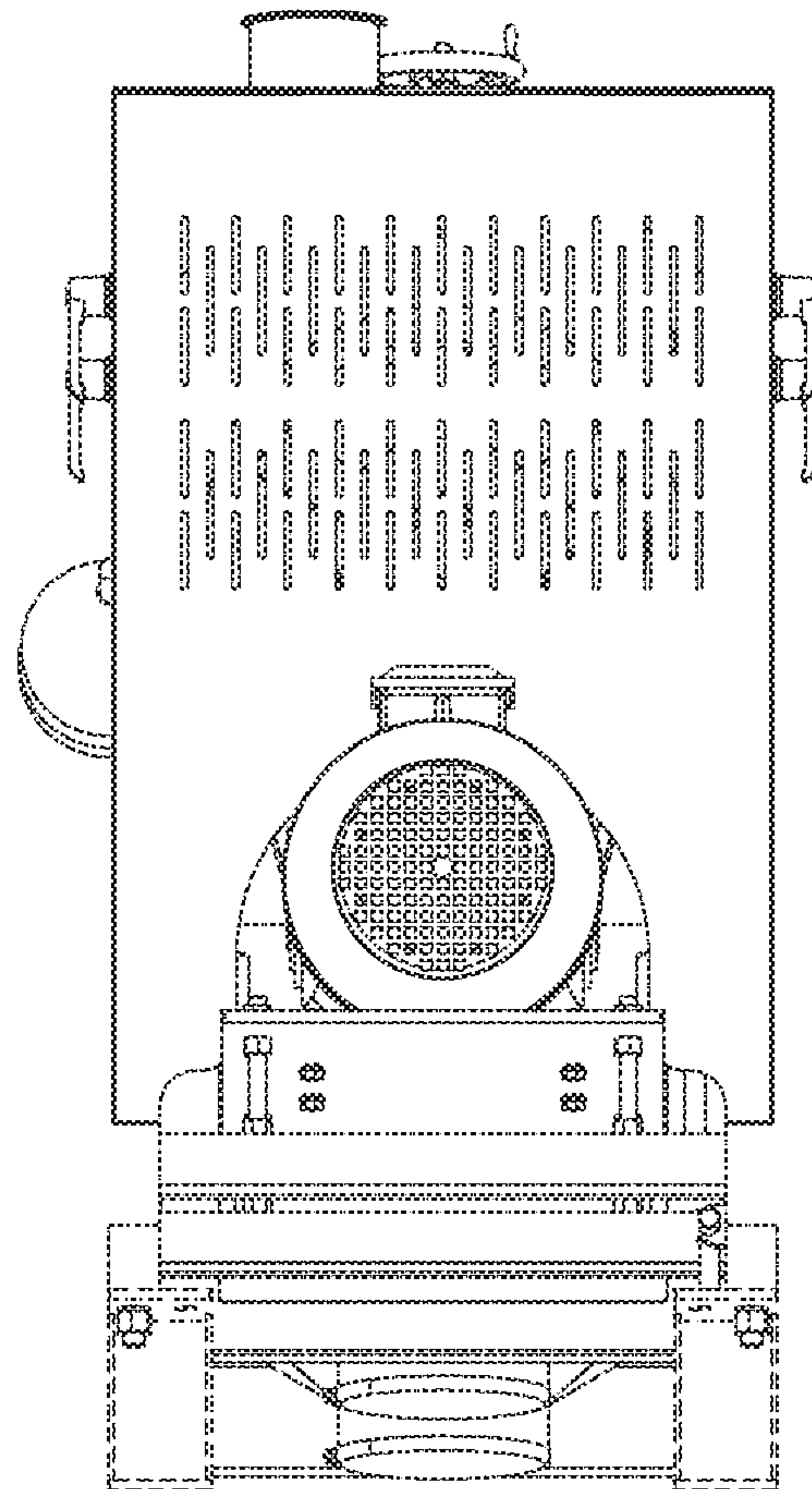


FIG. 6

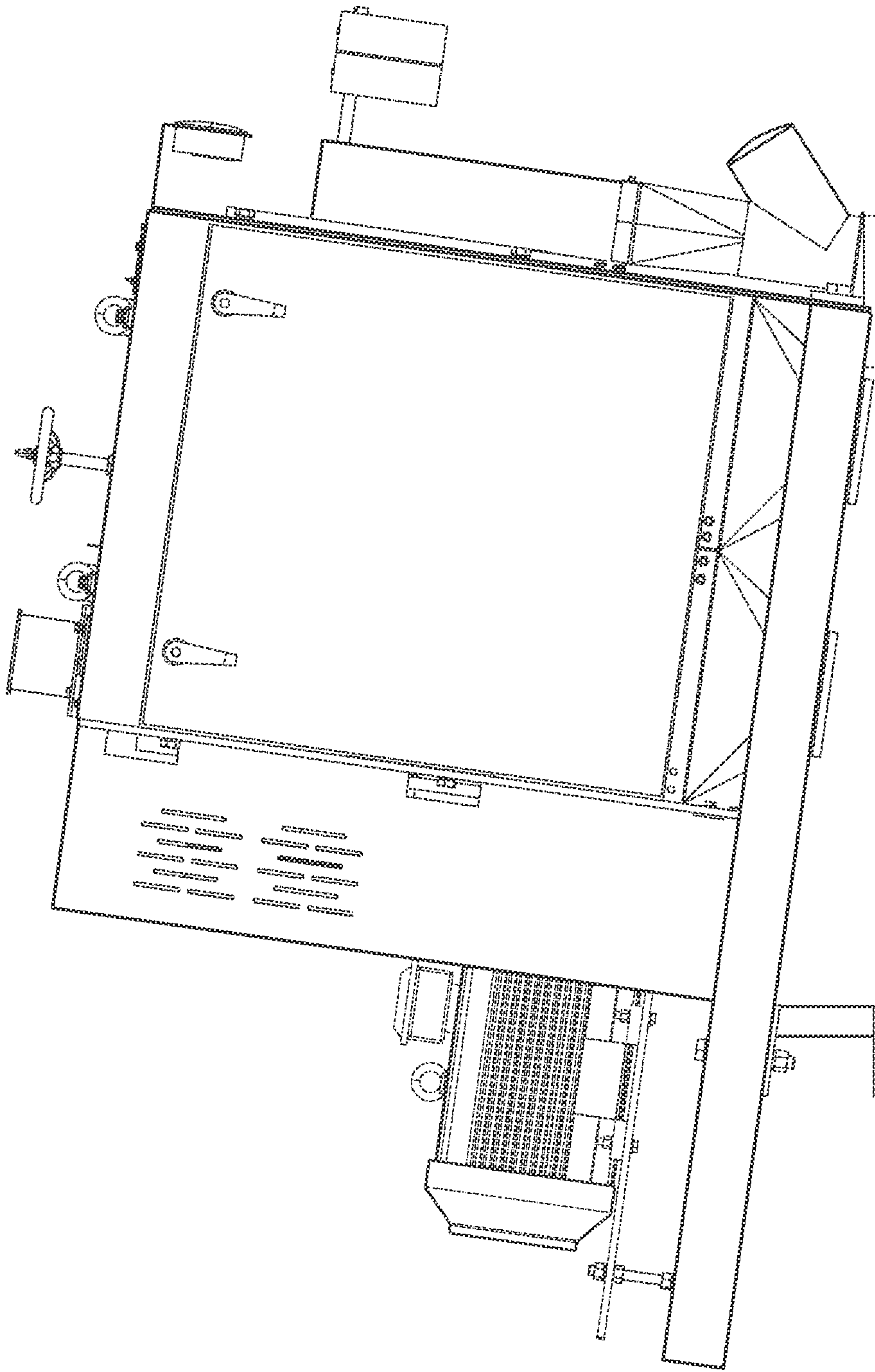


FIG. 7

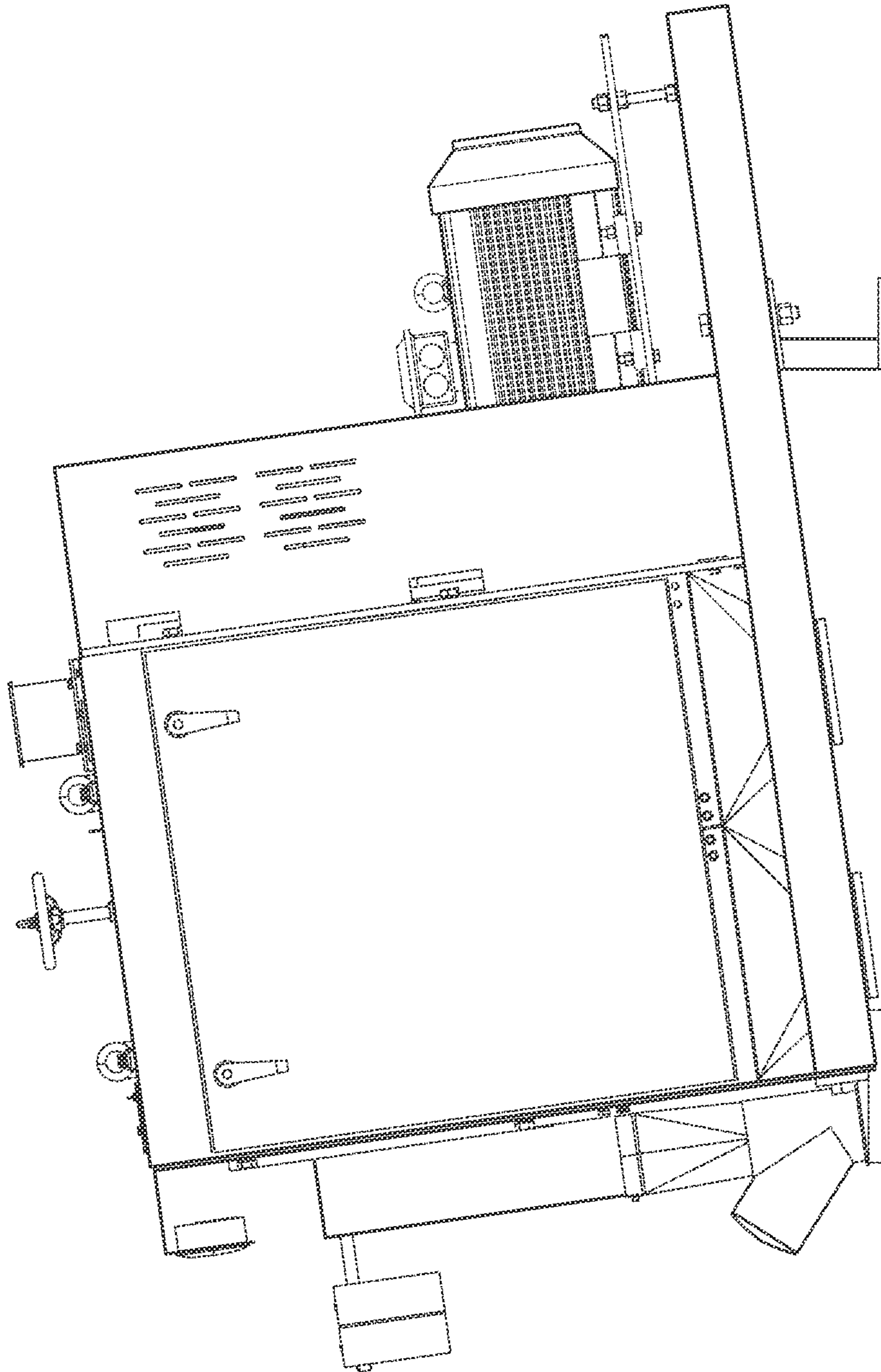


FIG. 8

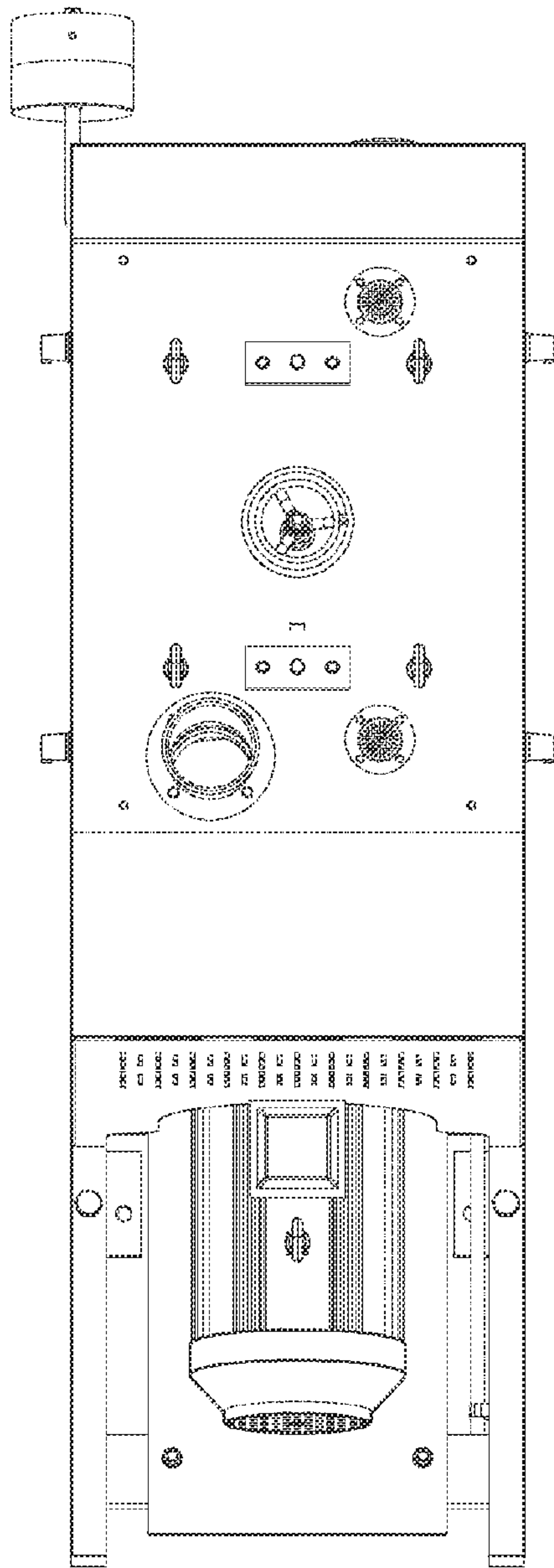


FIG. 9

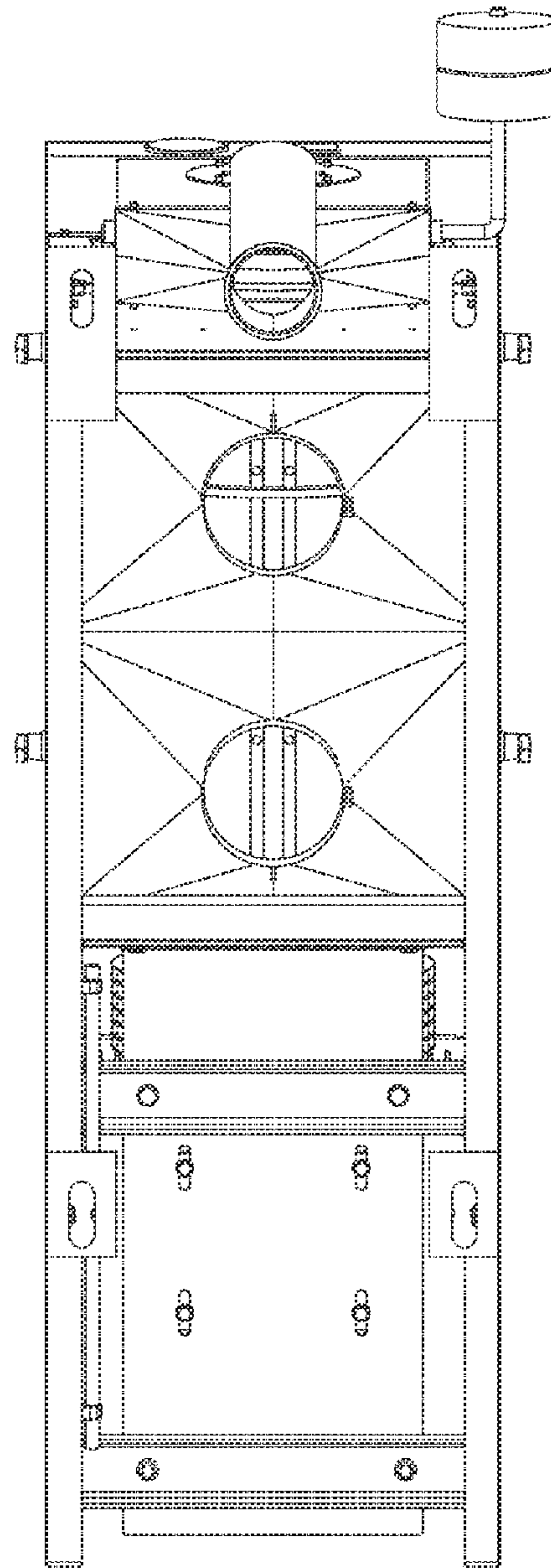


FIG. 10