



US00D681076S

(12) **United States Design Patent**
Sata et al.

(10) **Patent No.:** **US D681,076 S**
(45) **Date of Patent:** **** Apr. 30, 2013**

(54) **REFRIGERATING MACHINE**
(75) Inventors: **Hiroshi Sata**, Chiyoda-ku (JP); **Kenichi Hata**, Chiyoda-ku (JP)
(73) Assignee: **Mitsubishi Electric Corporation**, Tokyo (JP)
(**) Term: **14 Years**
(21) Appl. No.: **29/419,987**
(22) Filed: **May 3, 2012**
(51) **LOC (9) Cl.** **15-07**
(52) **U.S. Cl.**
USPC **D15/91**
(58) **Field of Classification Search** D15/79-89,
D15/91; 62/3.1, 3.63, 3.64, 389, 391, 440,
62/448, 261, 229, 407, 519-520, 523, 472,
62/476; 312/401-408, 116, 138.1
See application file for complete search history.

6,094,934 A * 8/2000 Rand et al. 62/440
D504,138 S * 4/2005 Fee et al. D15/79
D534,556 S * 1/2007 Lee et al. D15/85

OTHER PUBLICATIONS

General Catalogue of Condensing Unit, Sep. 2011 (version p. 183), Mitsubishi Electric Corporation.
Hitachi Low Temperature Industrial Product 2008/2009, Technical Handbook, (p. 162), Hitachi Appliances, Inc.
Sanyo Electric Refrigerating Machine Handbook 2010/2011 (p. 5-22), Sanyo Electric Co., Ltd.

* cited by examiner

Primary Examiner — Mitchell Siegel
(74) *Attorney, Agent, or Firm* — Sughrue Mion, PLLC

(57) **CLAIM**
The ornamental design for a refrigerating machine, as shown and described.

(56) **References Cited**

U.S. PATENT DOCUMENTS

D121,771 S *	8/1940	Matot	D15/85
D142,446 S *	9/1945	Smith	D15/86
3,712,078 A *	1/1973	Maynard et al.	62/448
4,416,122 A *	11/1983	Johnson	62/448
4,457,140 A *	7/1984	Rastelli	62/261
5,086,627 A *	2/1992	Borgen	62/229
5,284,023 A *	2/1994	Silva et al.	62/77
5,417,081 A *	5/1995	Rudick et al.	62/440
5,678,421 A *	10/1997	Maynard et al.	62/407
6,070,424 A *	6/2000	Bauman et al.	62/279

DESCRIPTION

FIG. 1 is a front, top and right side perspective view of a refrigerating machine, showing my new design;
FIG. 2 is a front elevational view thereof;
FIG. 3 is a rear elevational view thereof;
FIG. 4 is a left side elevational view thereof;
FIG. 5 is a right side elevational view thereof;
FIG. 6 is a top plan view thereof; and,
FIG. 7 is a bottom plan view thereof.

1 Claim, 6 Drawing Sheets

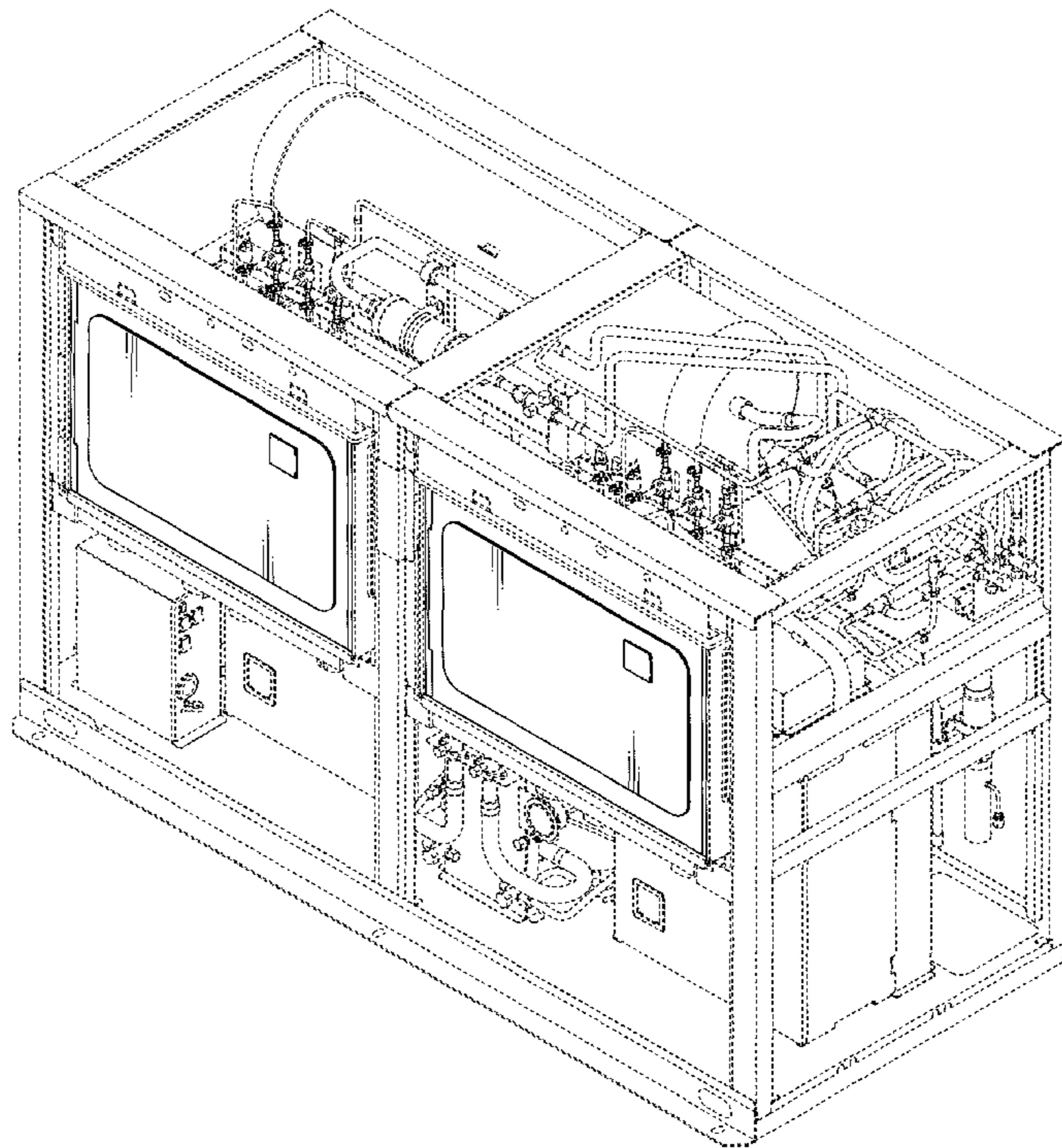


Fig.1

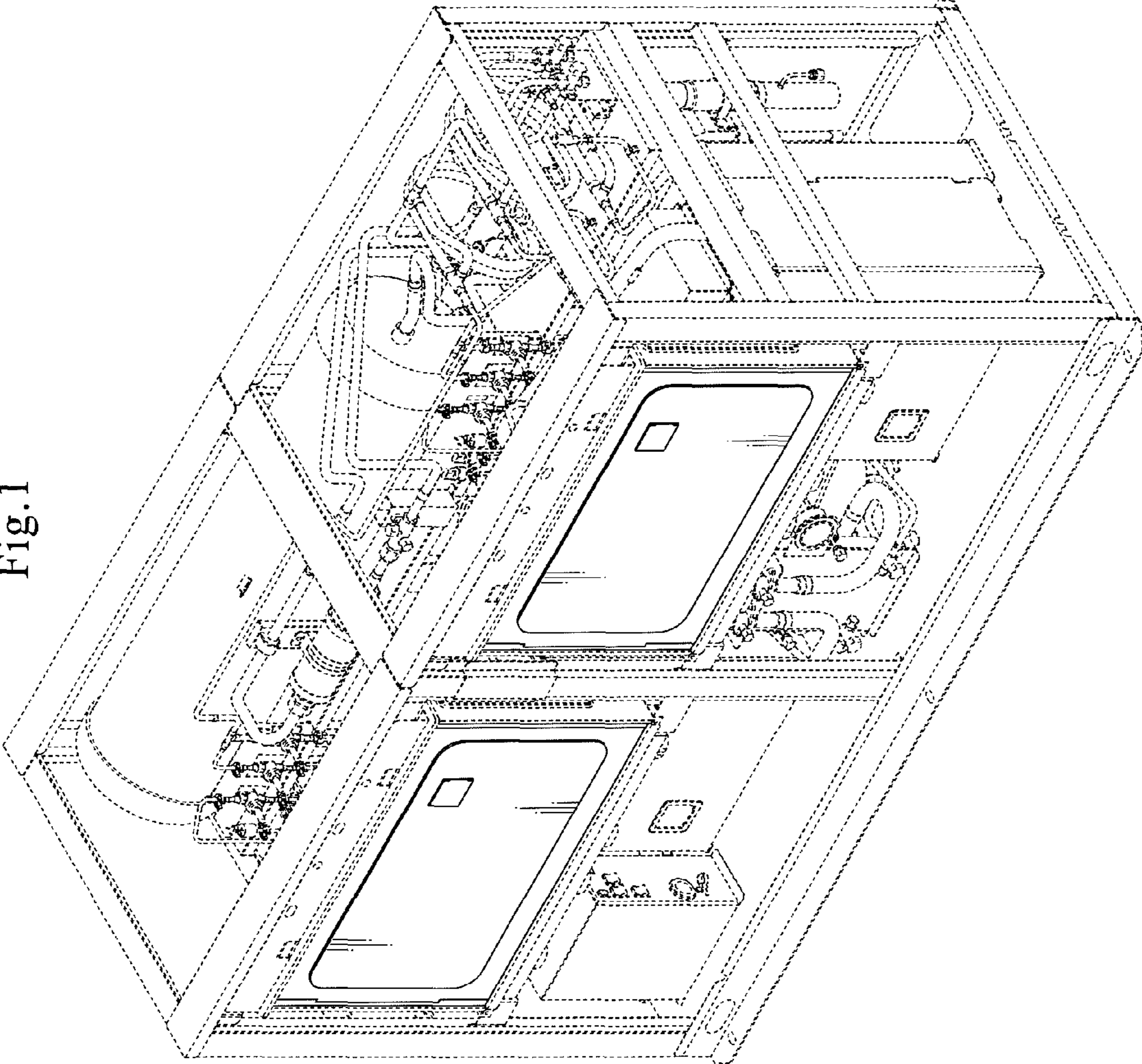


Fig.2

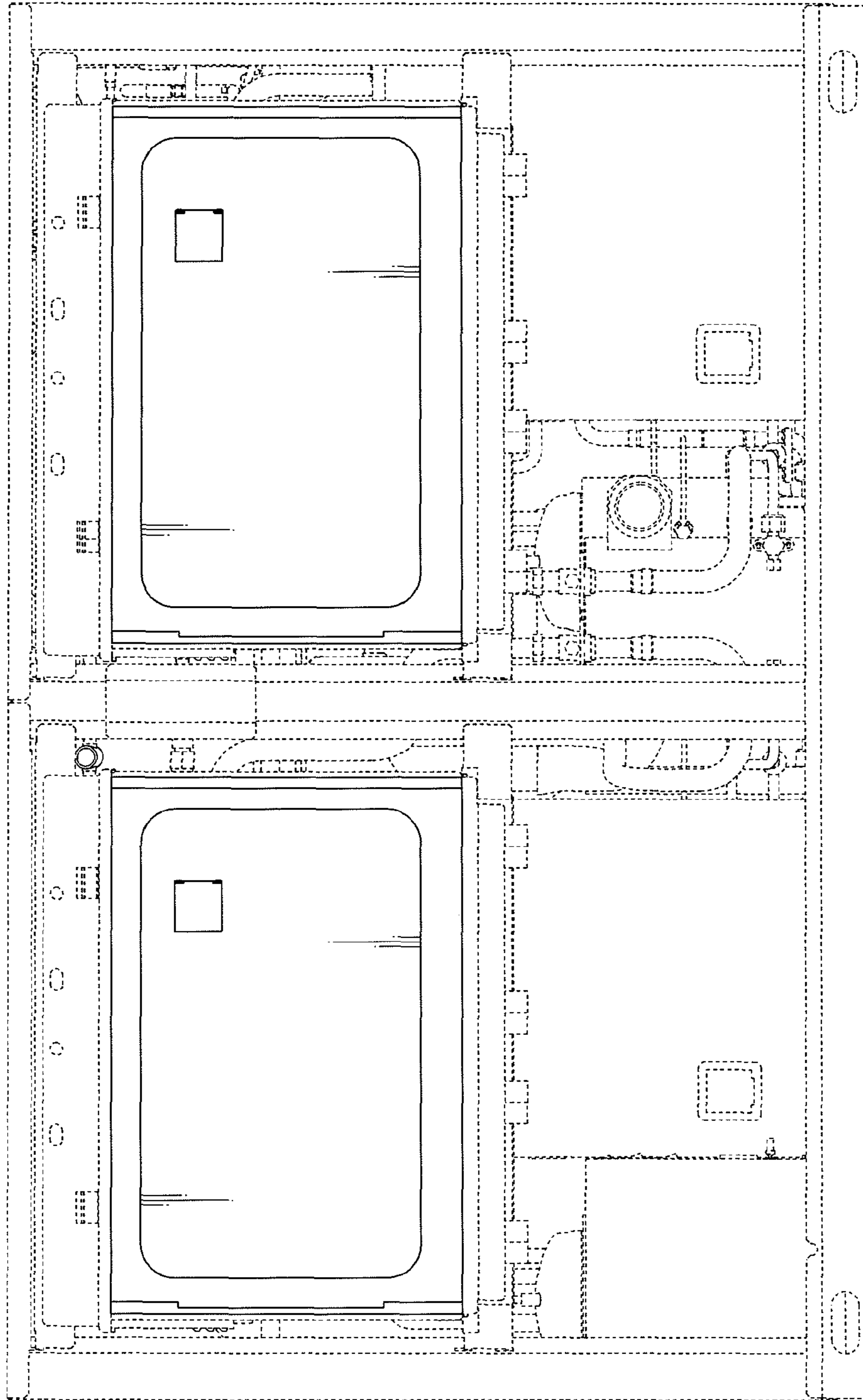


Fig.3

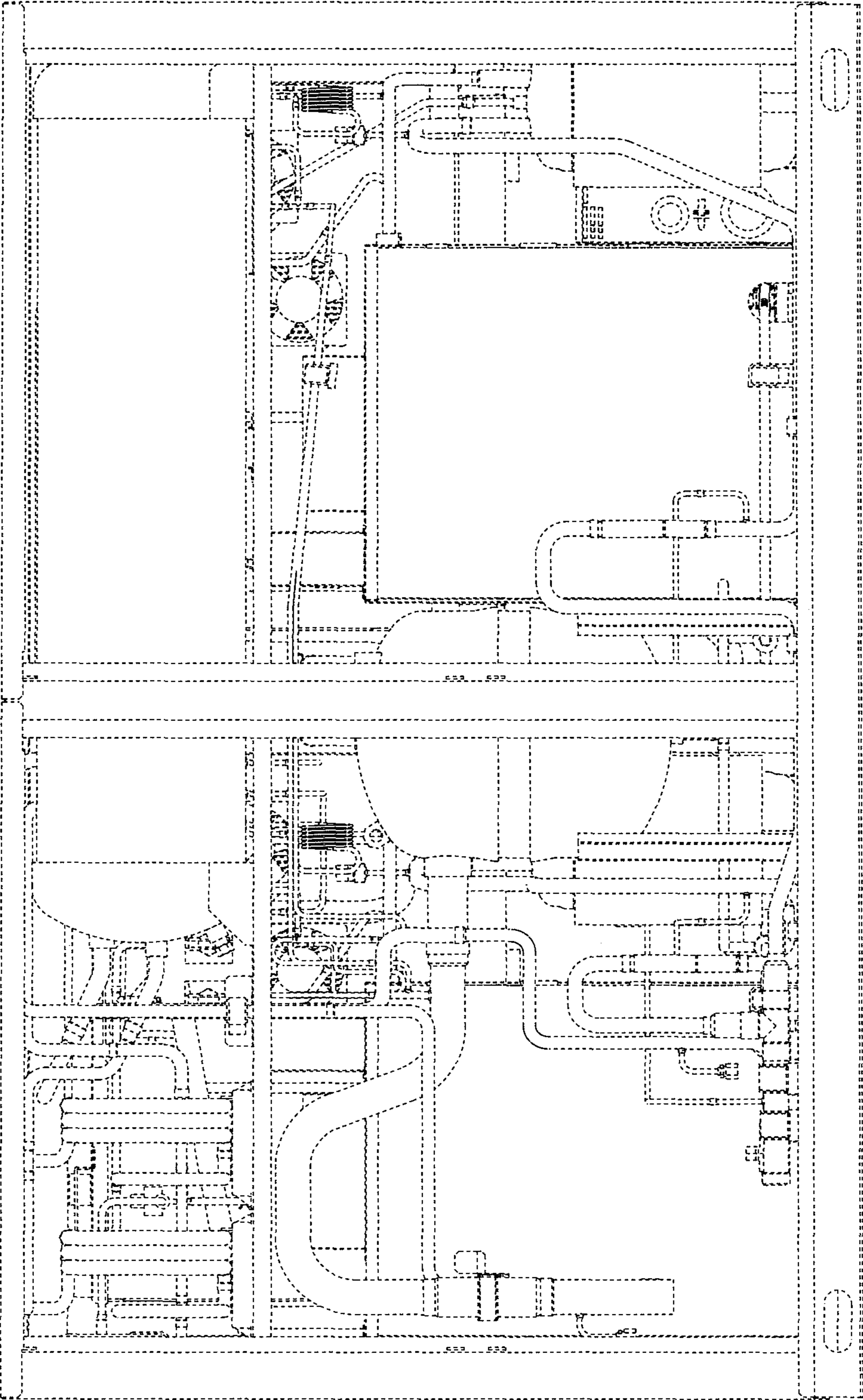


Fig.5

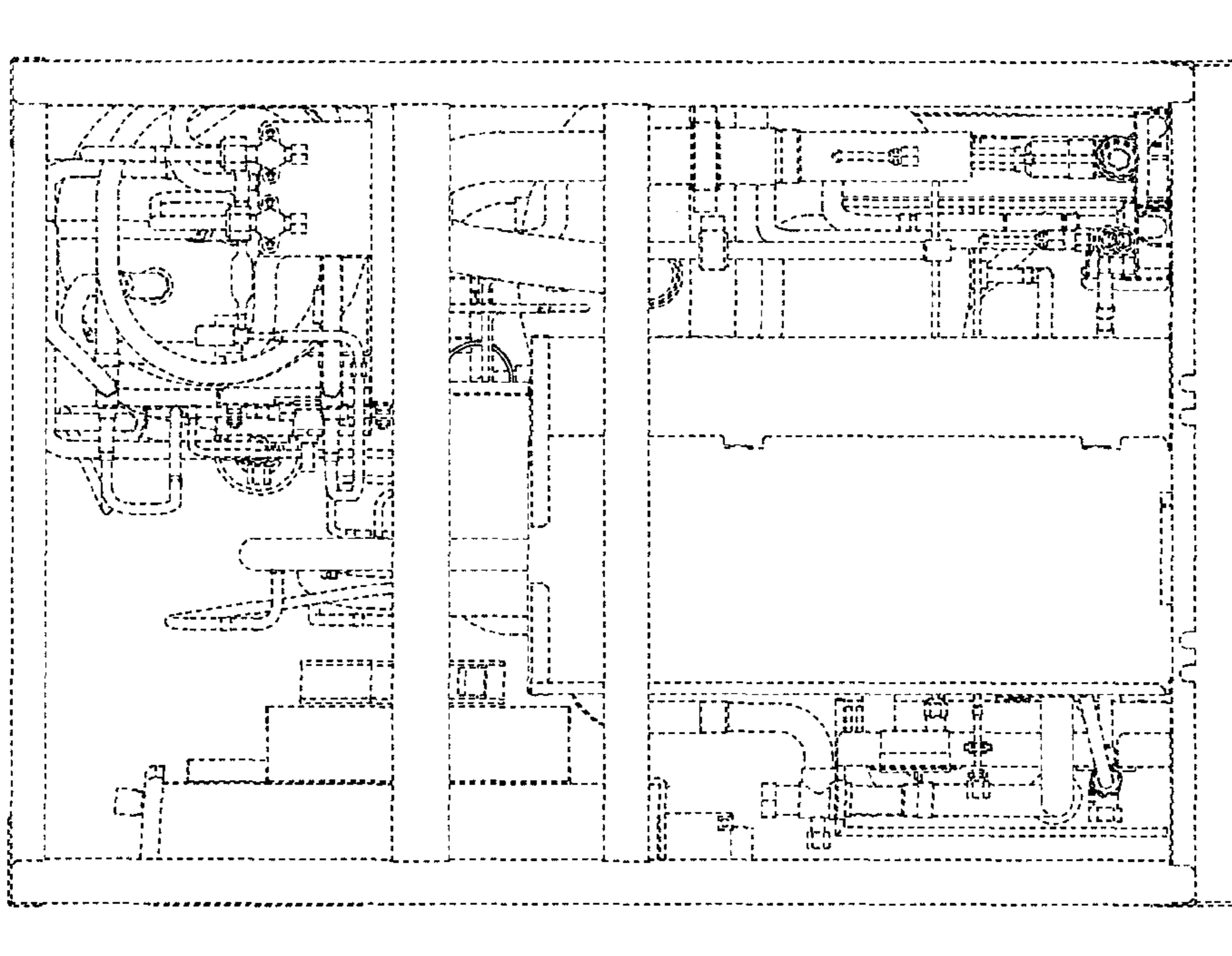


Fig.4

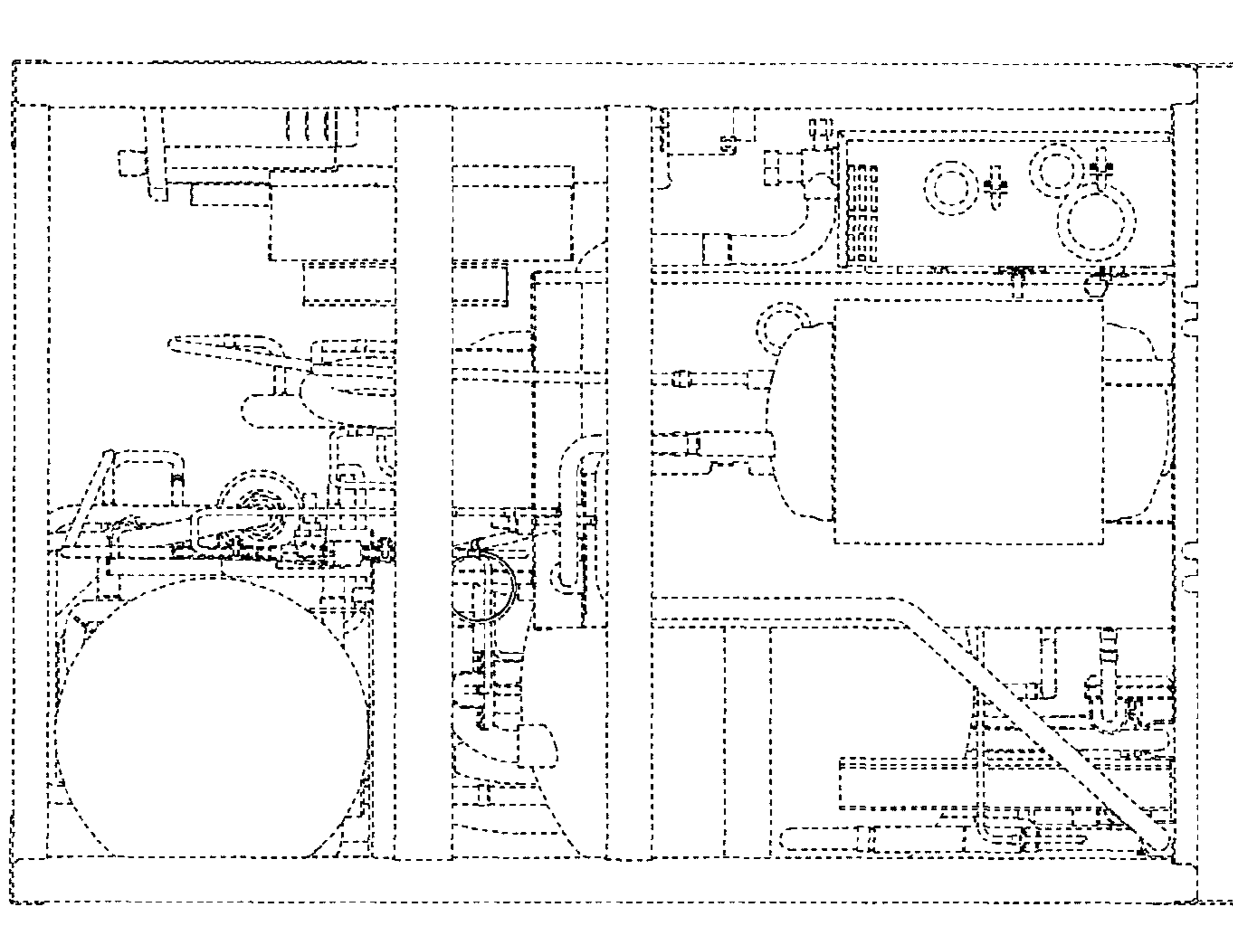


Fig.6

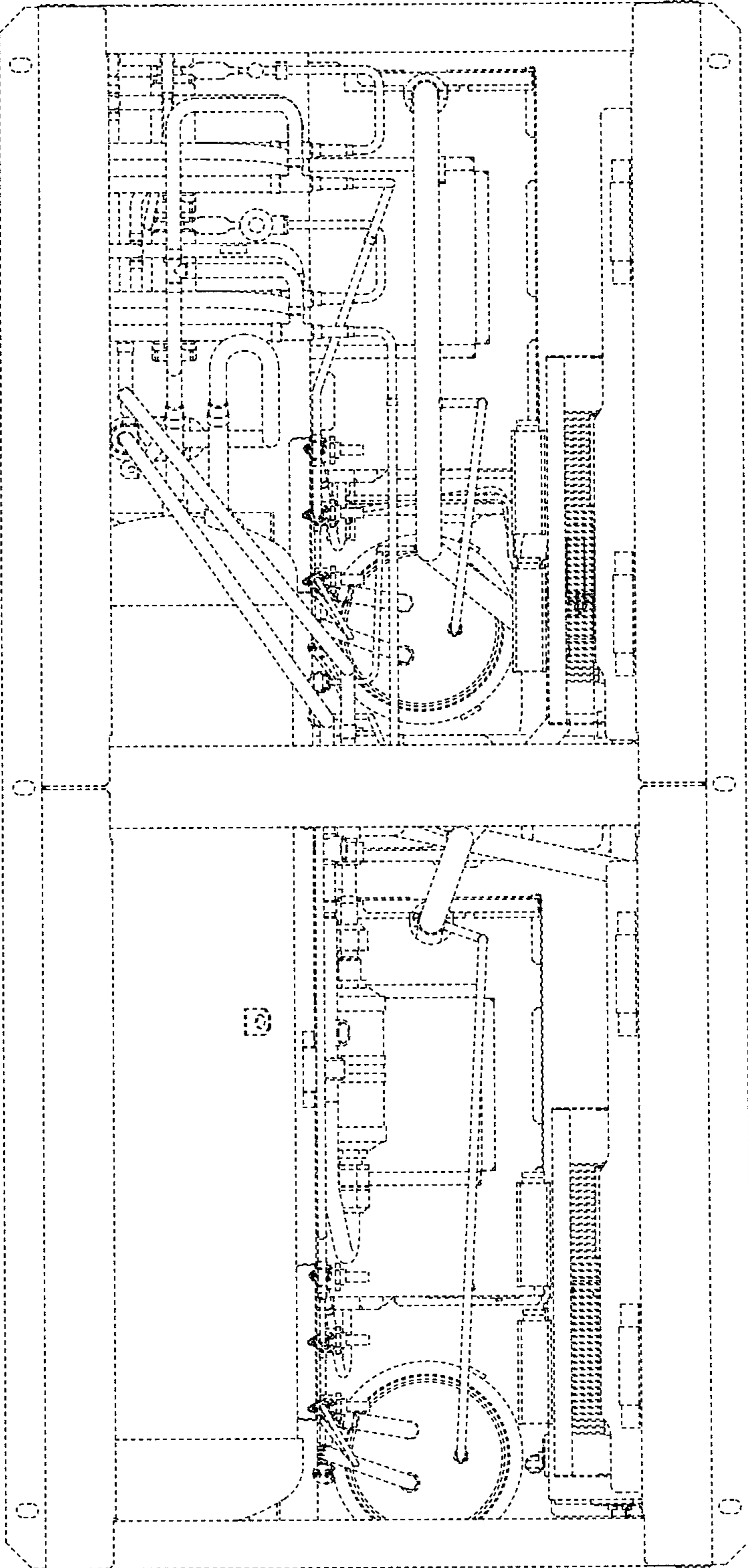


Fig.7

