



US00D681073S

(12) **United States Design Patent**
Kilduff

(10) **Patent No.:** **US D681,073 S**

(45) **Date of Patent:** **** Apr. 30, 2013**

(54) **FROZEN CONFECTION CONTAINER**

(75) Inventor: **Edward Kilduff**, New York, NY (US)

(73) Assignee: **Freshlink Product Development, LLC**,
New York, NY (US)

(**) Term: **14 Years**

(21) Appl. No.: **29/387,378**

(22) Filed: **Mar. 11, 2011**

(51) **LOC (9) Cl.** **15-07**

(52) **U.S. Cl.**

USPC **D15/82**

(58) **Field of Classification Search** D15/79,
D15/82; 62/3.6, 3.63, 3.64, 293, 467; 312/400-408;
D7/371, 601, 602, 605-609

See application file for complete search history.

(56) **References Cited**

U.S. PATENT DOCUMENTS

D236,757 S *	9/1975	Lax	D15/82
D372,252 S *	7/1996	Leong	D15/82
D394,441 S *	5/1998	Leverrier	D15/82
D478,100 S *	8/2003	Wade	D15/82

D617,352 S *	6/2010	Pryor et al.	D15/82
D666,225 S *	8/2012	Lee	D15/82
2011/0203625 A1 *	8/2011	Stitely	135/66

* cited by examiner

Primary Examiner — Mitchell Siegel

(74) *Attorney, Agent, or Firm* — Klauber & Jackson LLC

(57) **CLAIM**

The ornamental design for a frozen confection container, as shown and described.

DESCRIPTION

FIG. 1 is a left front perspective view showing the top, front and left side of the frozen confection container of my new design in the closed position;

FIG. 2 is a left front perspective view like that of FIG. 1, showing the frozen confection container of my new design in the open position.

FIG. 3 is a front view thereof;

FIG. 4 is a rear view thereof;

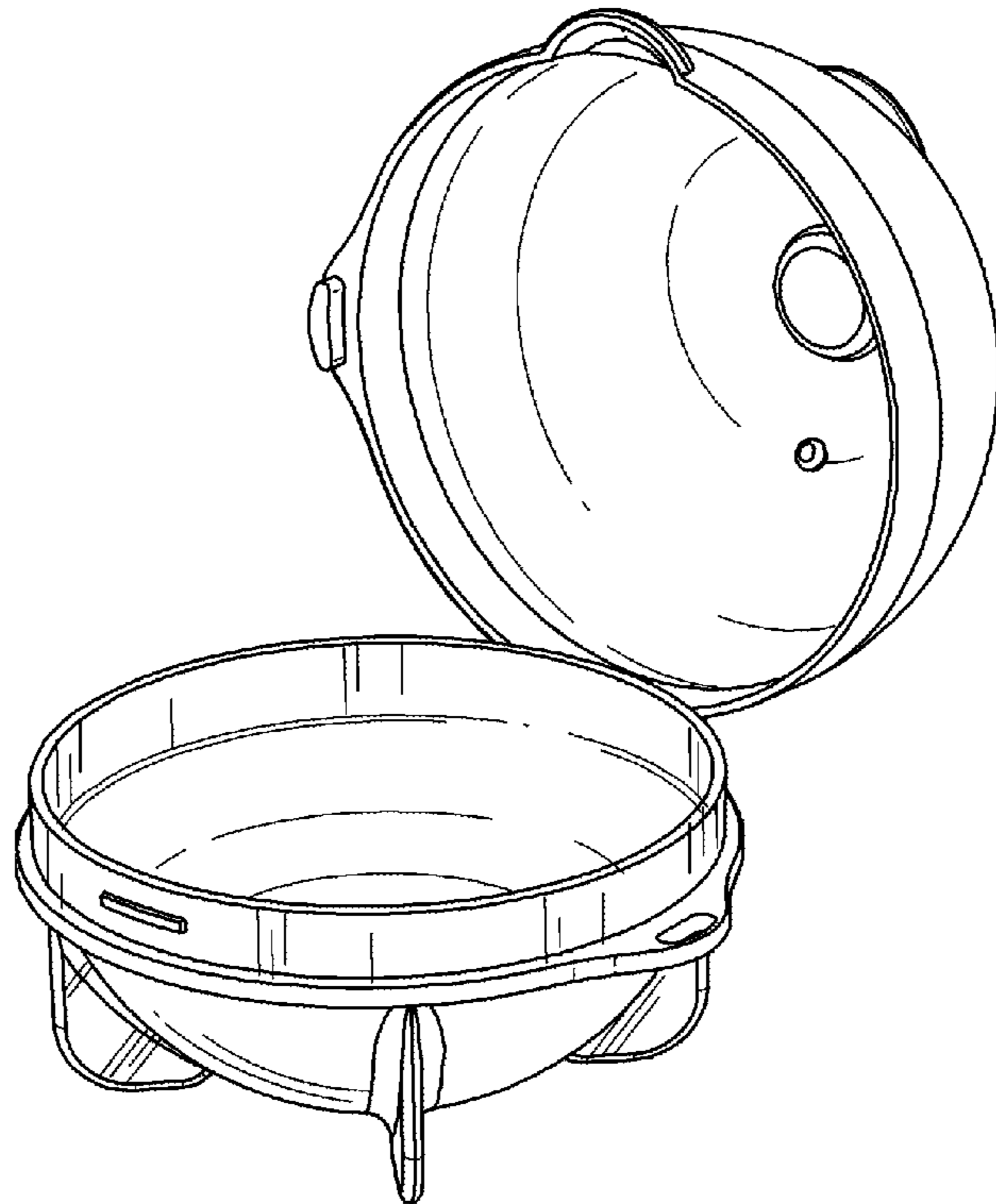
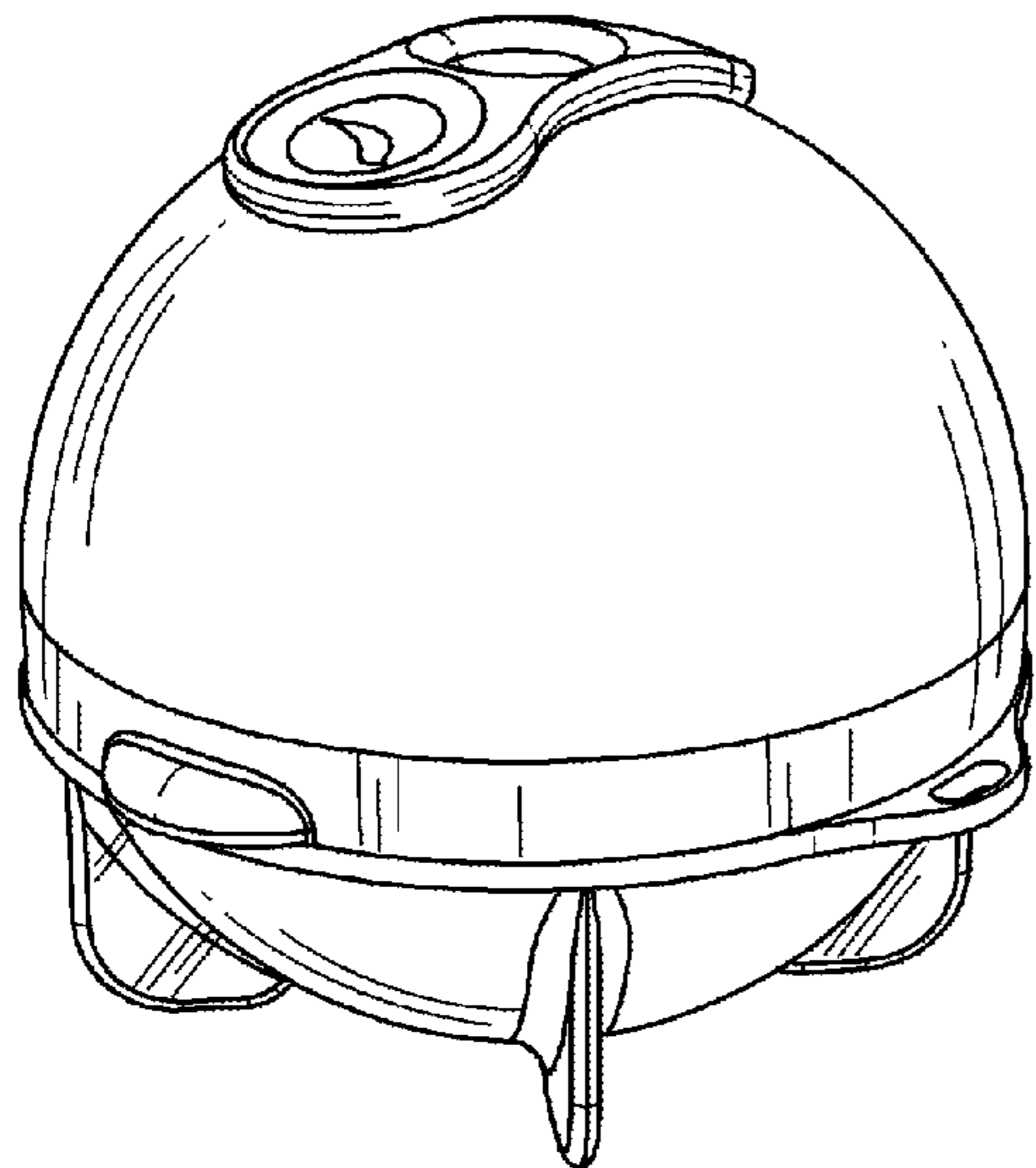
FIG. 5 is a top view thereof;

FIG. 6 is a bottom view thereof;

FIG. 7 is a left side view thereof; and,

FIG. 8 is a right side view thereof.

1 Claim, 4 Drawing Sheets



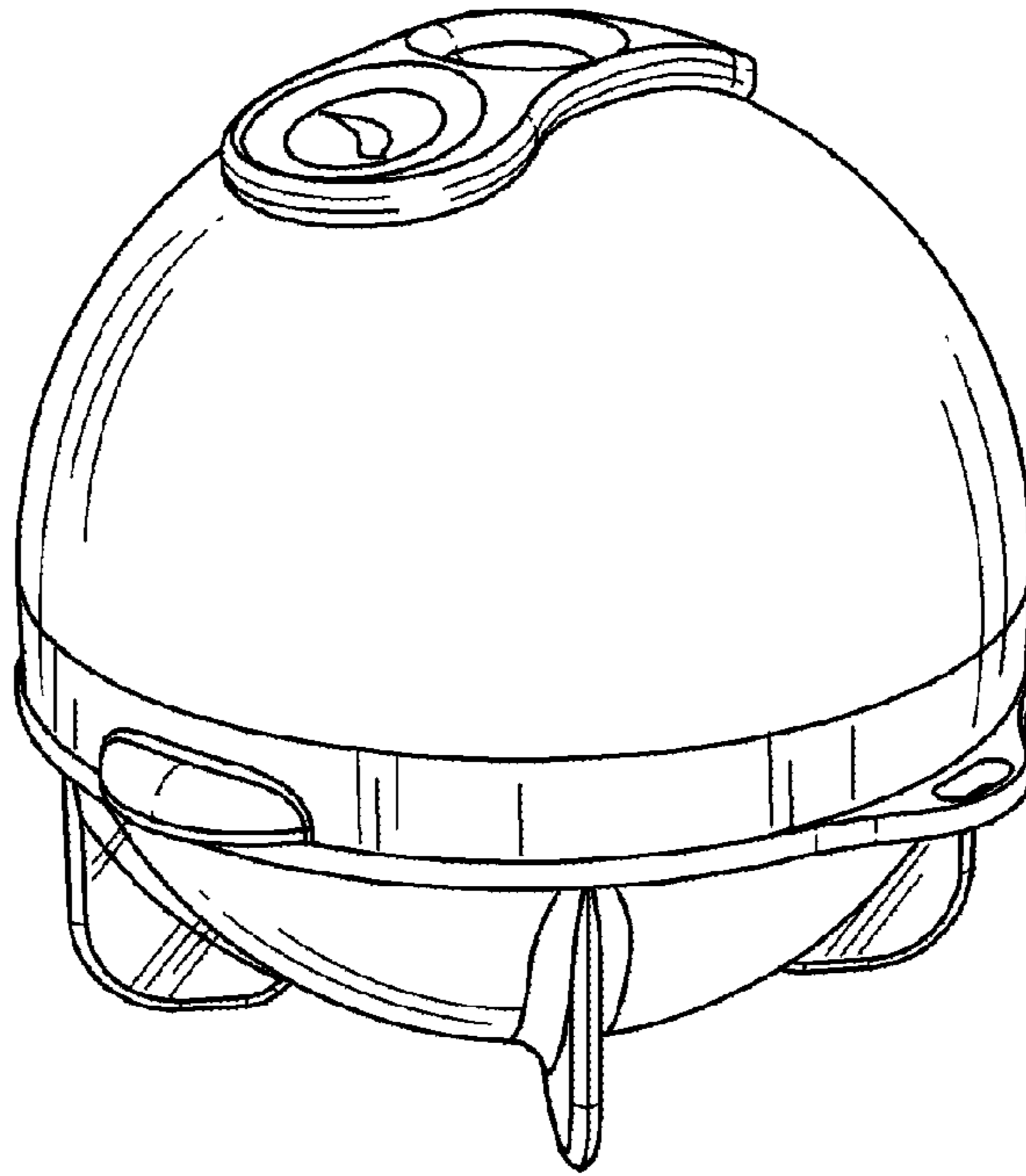


FIG 1

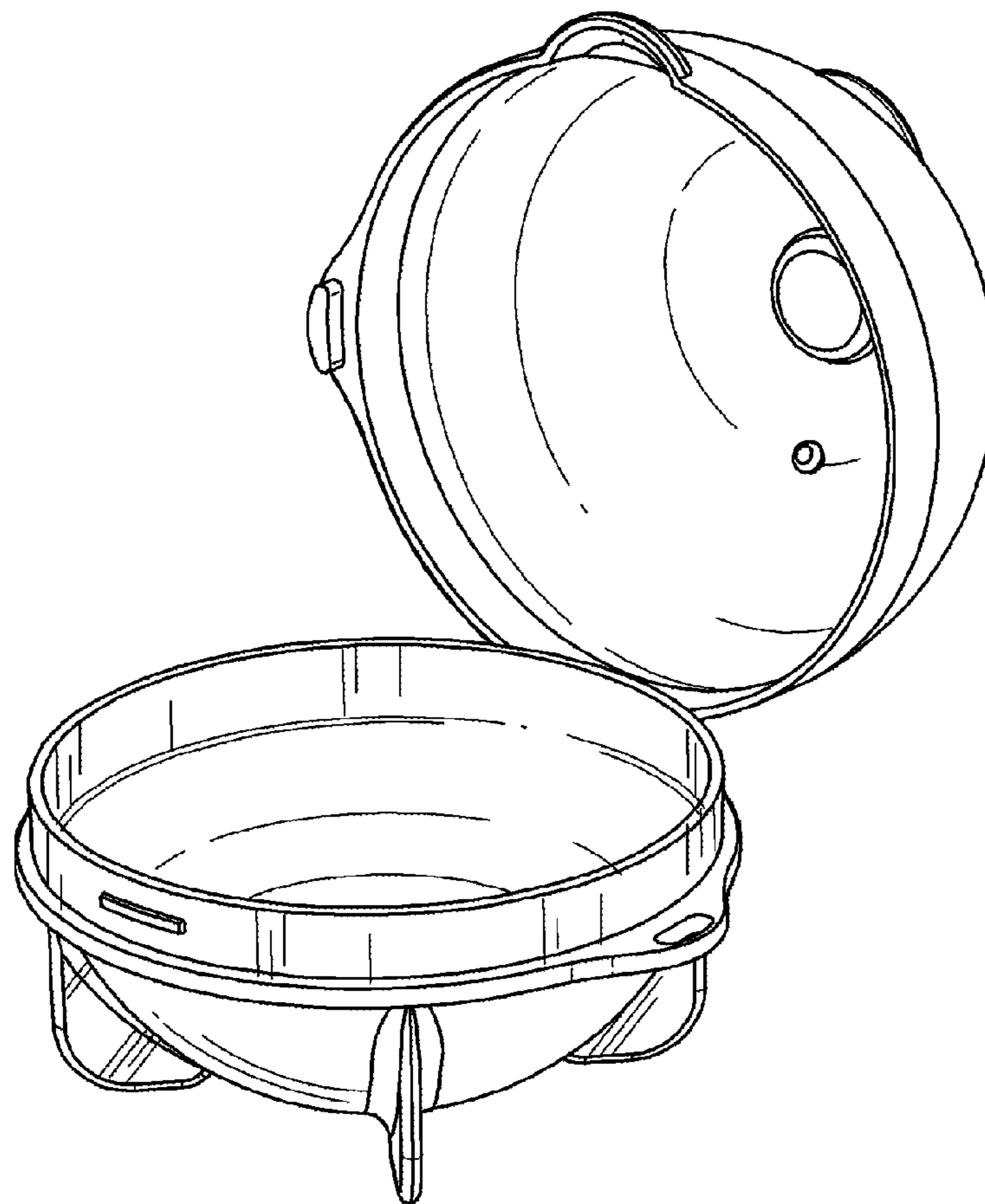


FIG 2

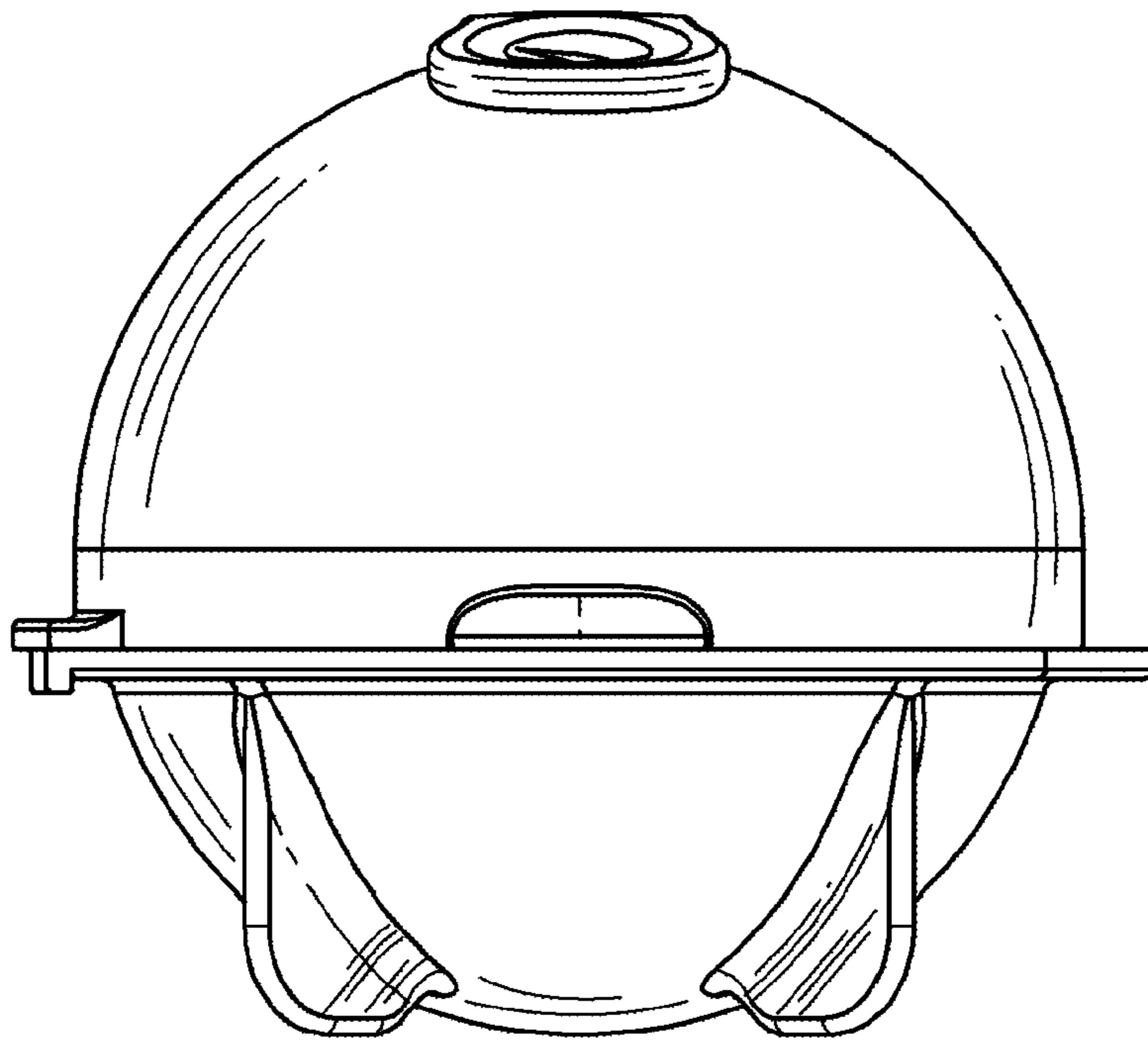


FIG 3

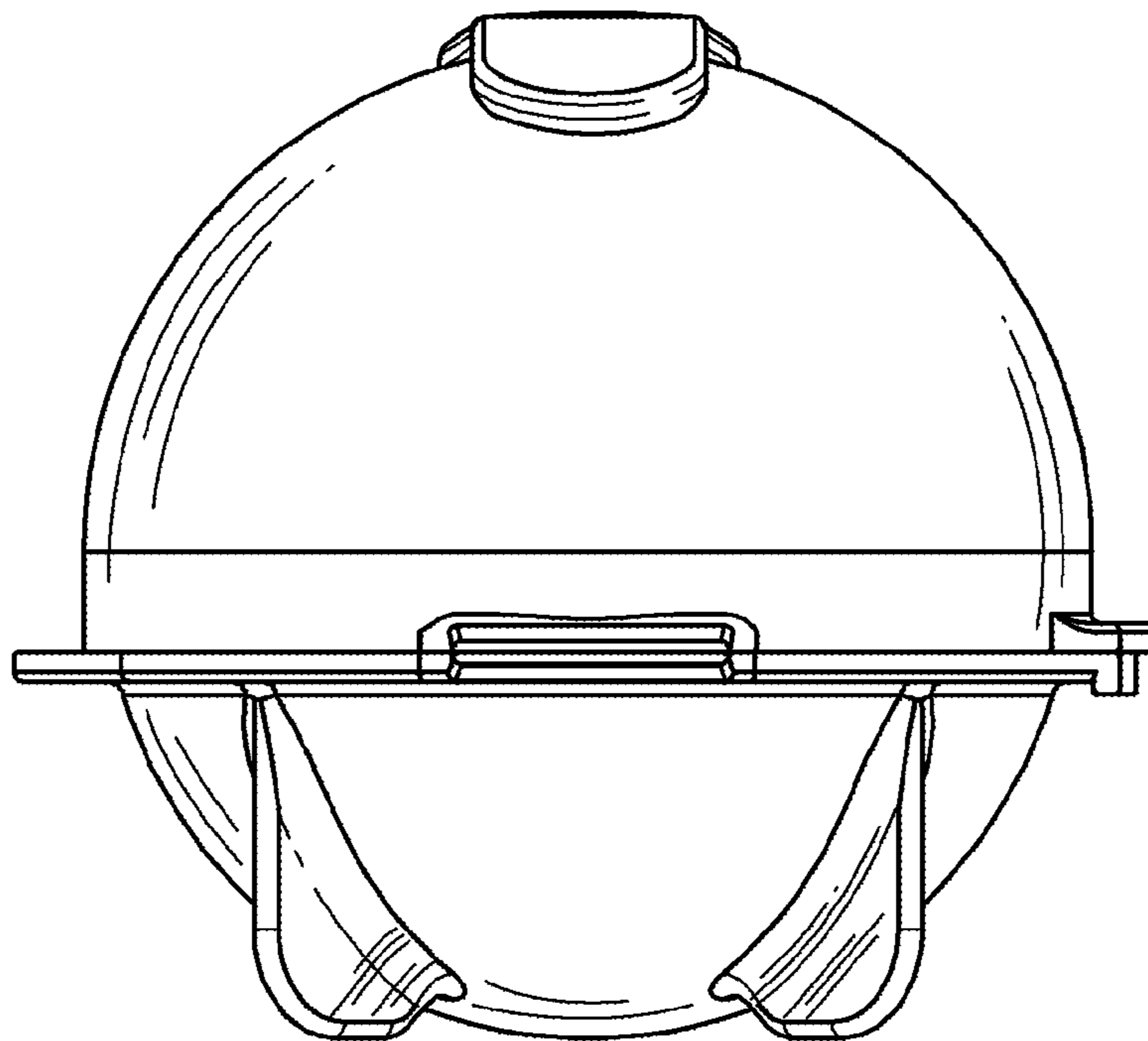


FIG 4

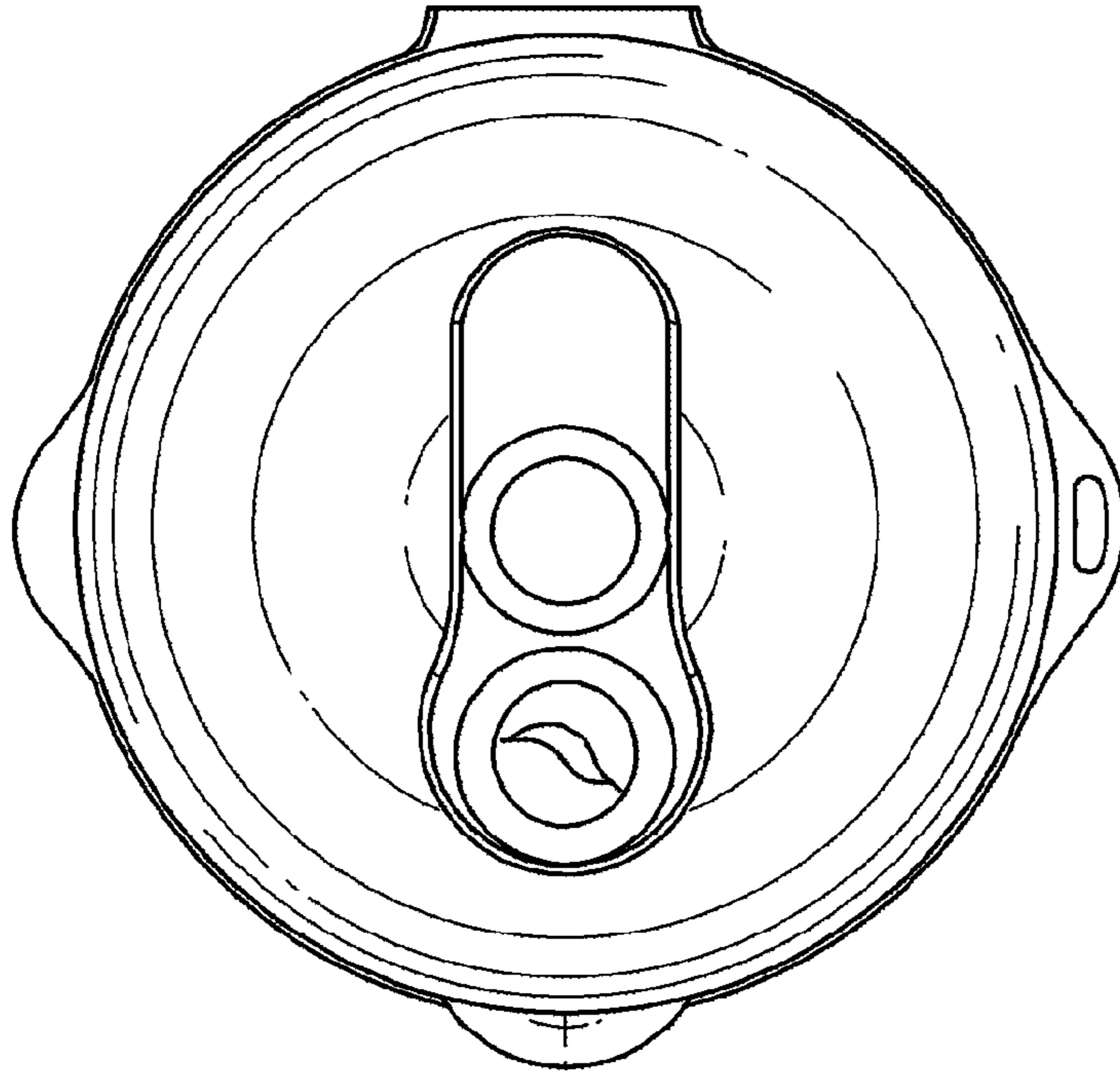


FIG 5

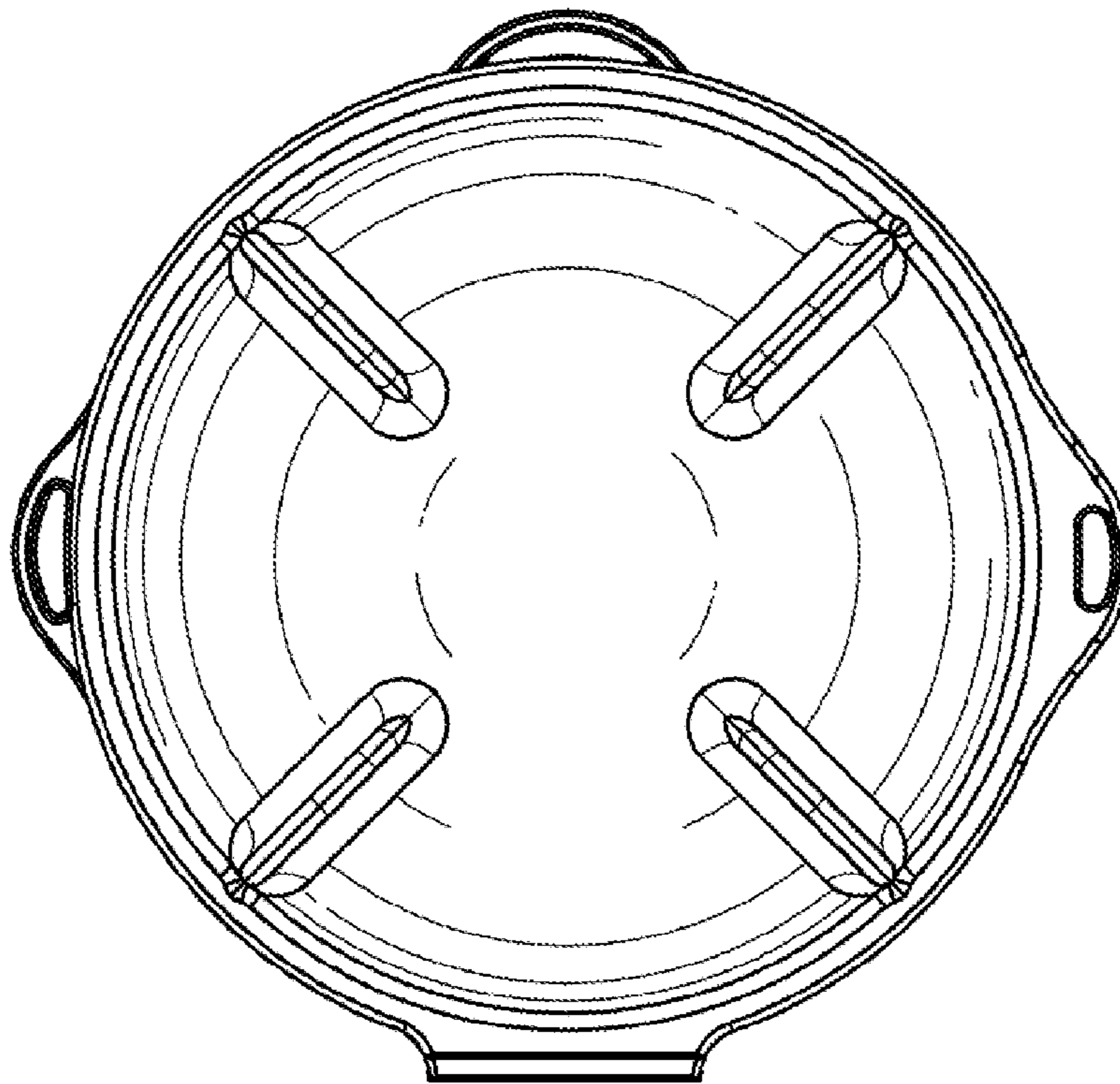


Fig. 6

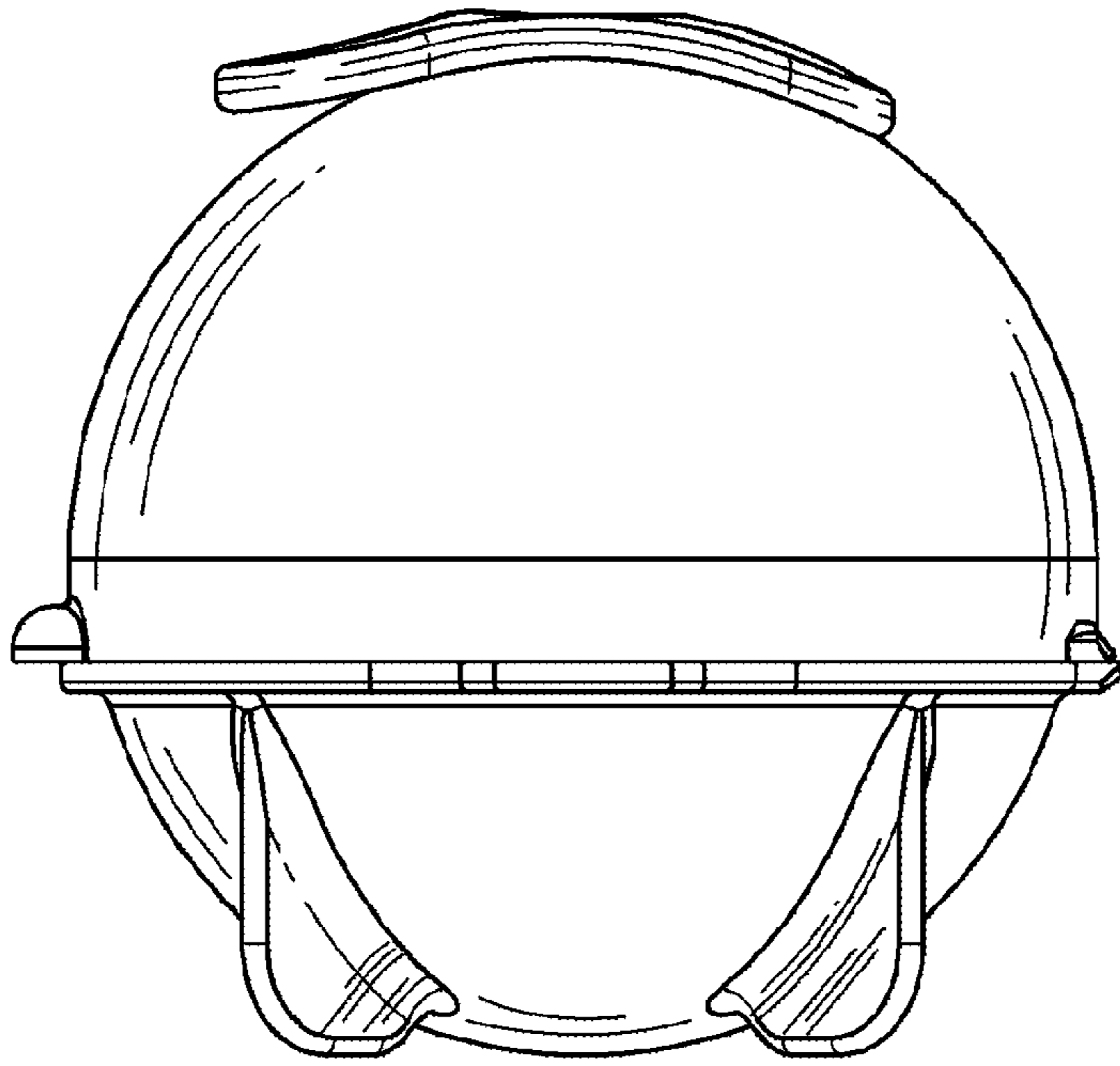


FIG 7

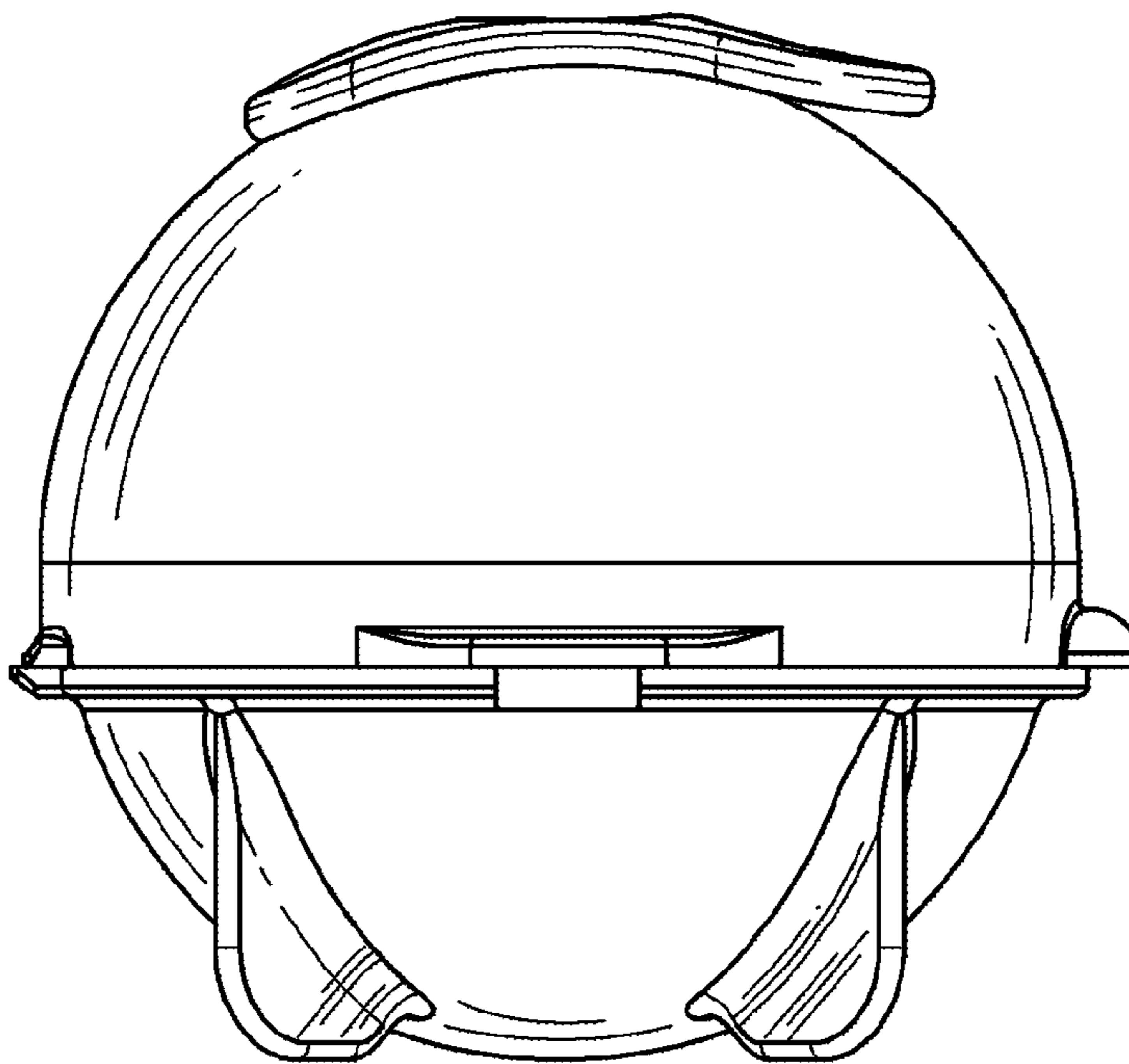


FIG 8