



US00D681070S

(12) **United States Design Patent**
Tsukamoto et al.

(10) **Patent No.:** **US D681,070 S**
(45) **Date of Patent:** **** Apr. 30, 2013**

(54) **POWER SHOVEL**
(75) Inventors: **Hironori Tsukamoto**, Hiroshima (JP);
Kenji Kawamoto, Hiroshima (JP);
Shintaro Sakitani, Hiroshima (JP);
Kaoru Adachi, Hiroshima (JP); **Hiroshi Kanamaru**, Hiroshima (JP)

6,502,896 B1 * 1/2003 Nakata et al. 296/190.05
D487,100 S * 2/2004 Tokach et al. D15/30
D487,575 S * 3/2004 Wetzel et al. D15/33
D558,798 S 1/2008 Sakitani et al.
D593,137 S * 5/2009 Ueta et al. D15/28
D594,884 S * 6/2009 Murakami et al. D15/28
D627,802 S * 11/2010 Berning et al. D15/28
D629,816 S * 12/2010 Nishimura et al. D15/28

(73) Assignee: **Kobelco Construction Machinery Co., Ltd.**, Hiroshima-shi (JP)

* cited by examiner

(**) Term: **14 Years**

Primary Examiner — Mark Goodwin

(21) Appl. No.: **29/431,777**

(74) *Attorney, Agent, or Firm* — Birch, Stewart, Kolasch & Birch, LLP

(22) Filed: **Sep. 11, 2012**

(30) **Foreign Application Priority Data**

Apr. 24, 2012 (JP) D2012-009521

(51) **LOC (9) Cl.** **15-03**

(52) **U.S. Cl.**
USPC **D15/28**

(58) **Field of Classification Search** D15/22–26,
D15/28, 30, 31, 33, 10; 414/685, 686, 694,
414/722, 680, 724; 180/89.1, 89.12, 298,
180/900, 68.5

See application file for complete search history.

(56) **References Cited**

U.S. PATENT DOCUMENTS

D284,577 S * 7/1986 DuBose D15/28
D287,499 S * 12/1986 Takamatsu et al. D15/30
D433,689 S * 11/2000 Kraft et al. D15/30

(57) **CLAIM**

The ornamental design for a power shovel, as shown and described.

DESCRIPTION

FIG. 1 is a first perspective view of a power shovel showing our new design;

FIG. 2 is a front view thereof;

FIG. 3 is a right side view thereof, the opposite side being a mirror image of the side shown herein;

FIG. 4 is a top view thereof;

FIG. 5 is an enlarged perspective view of FIG. 1 thereof;

FIG. 6 is an enlarged front view of FIG. 2 thereof;

FIG. 7 is an enlarged right side view of FIG. 3 thereof; and,

FIG. 8 is an enlarged top view of FIG. 4 thereof.

The portion shown by broken lines is for illustrative purposes only and forms no part of the claimed design.

1 Claim, 6 Drawing Sheets

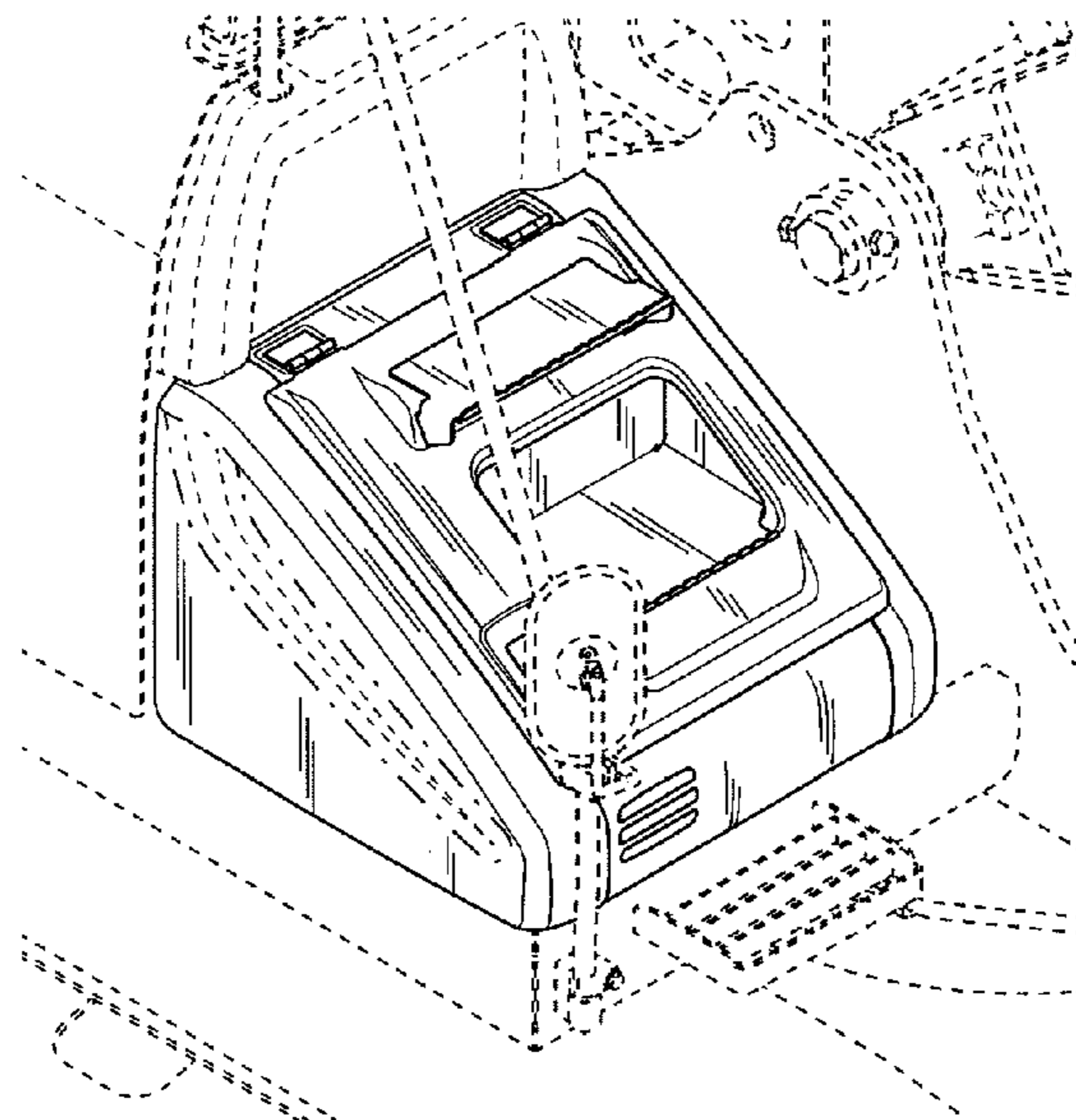


FIG. 1

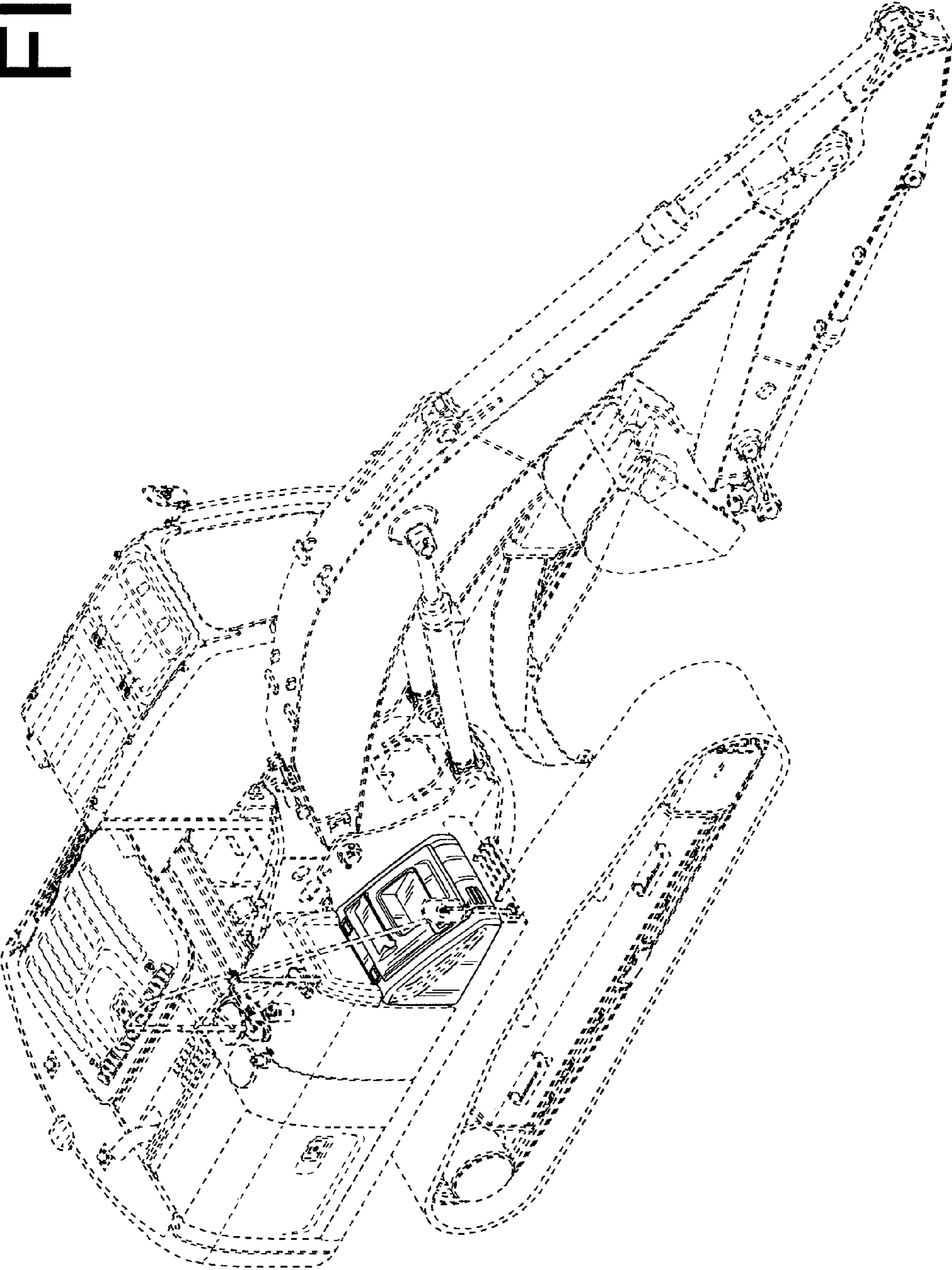


FIG. 2

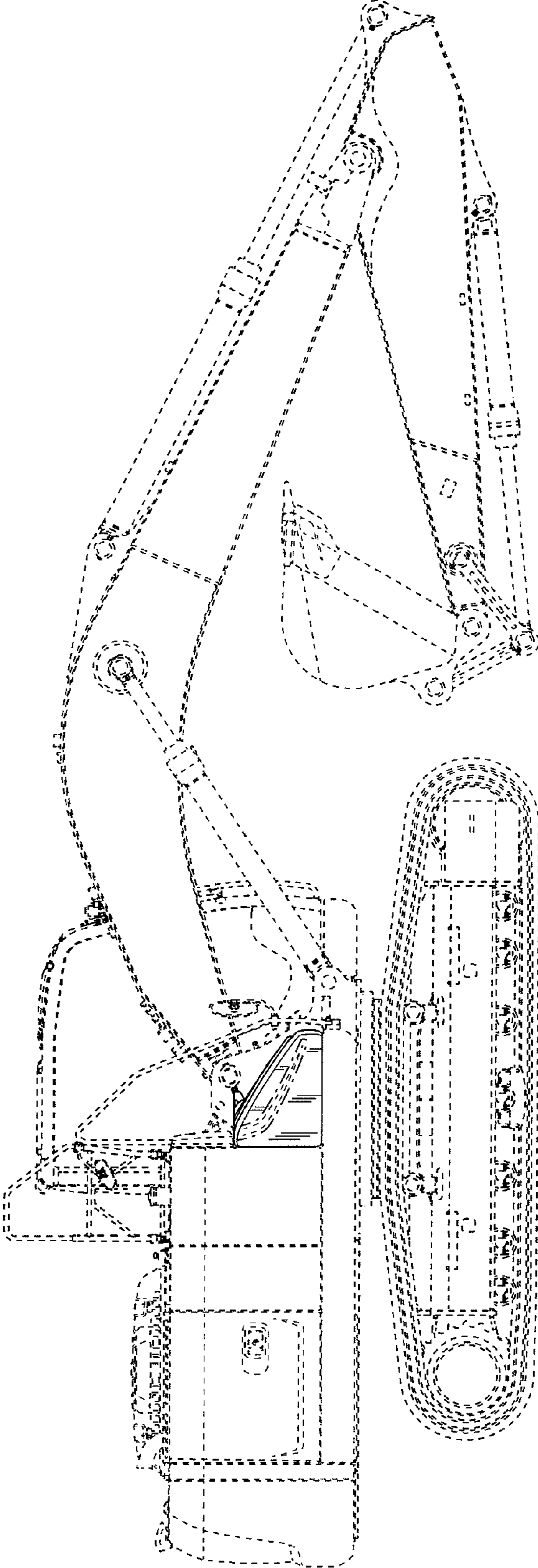


FIG. 3

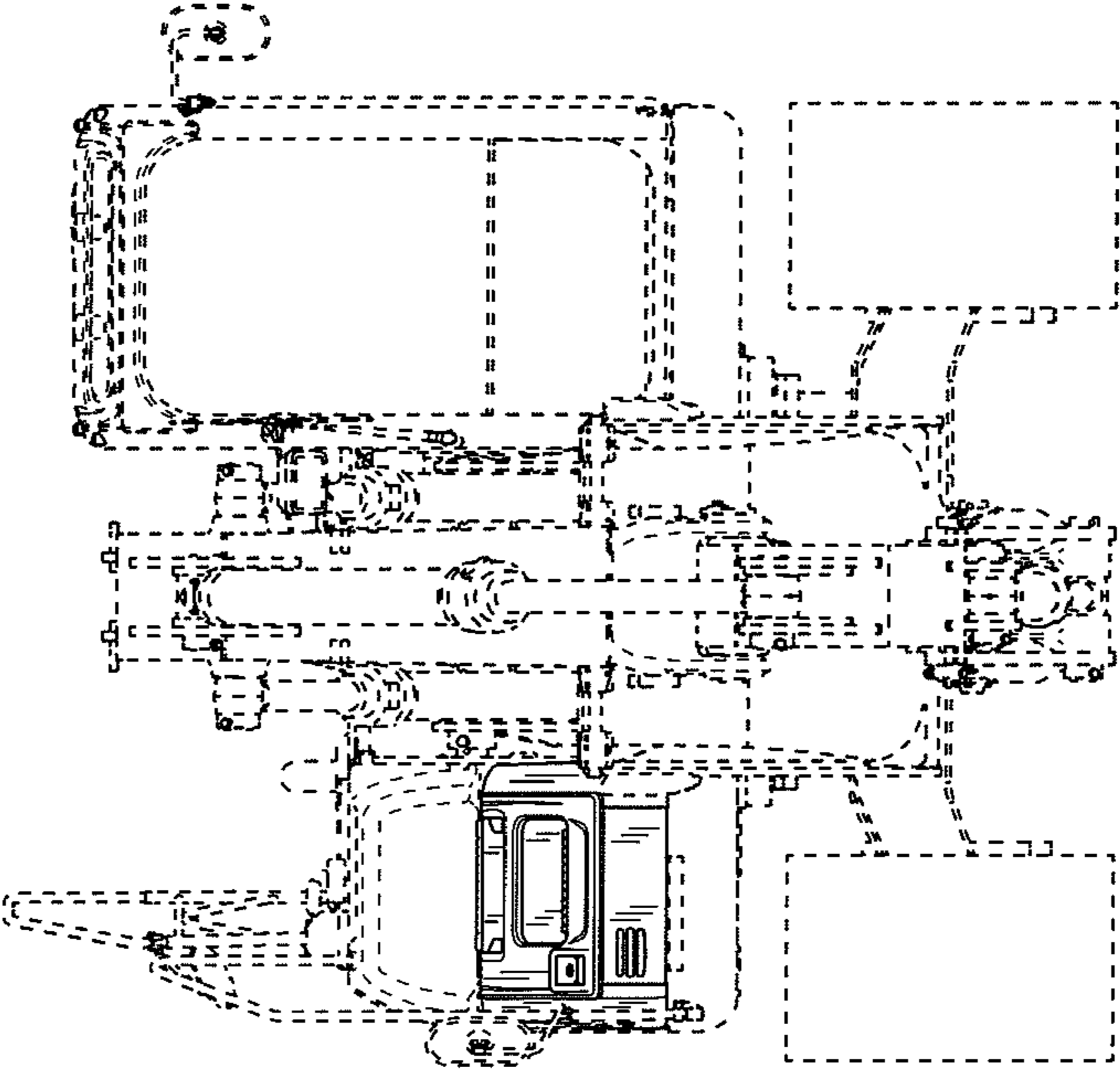


FIG. 4

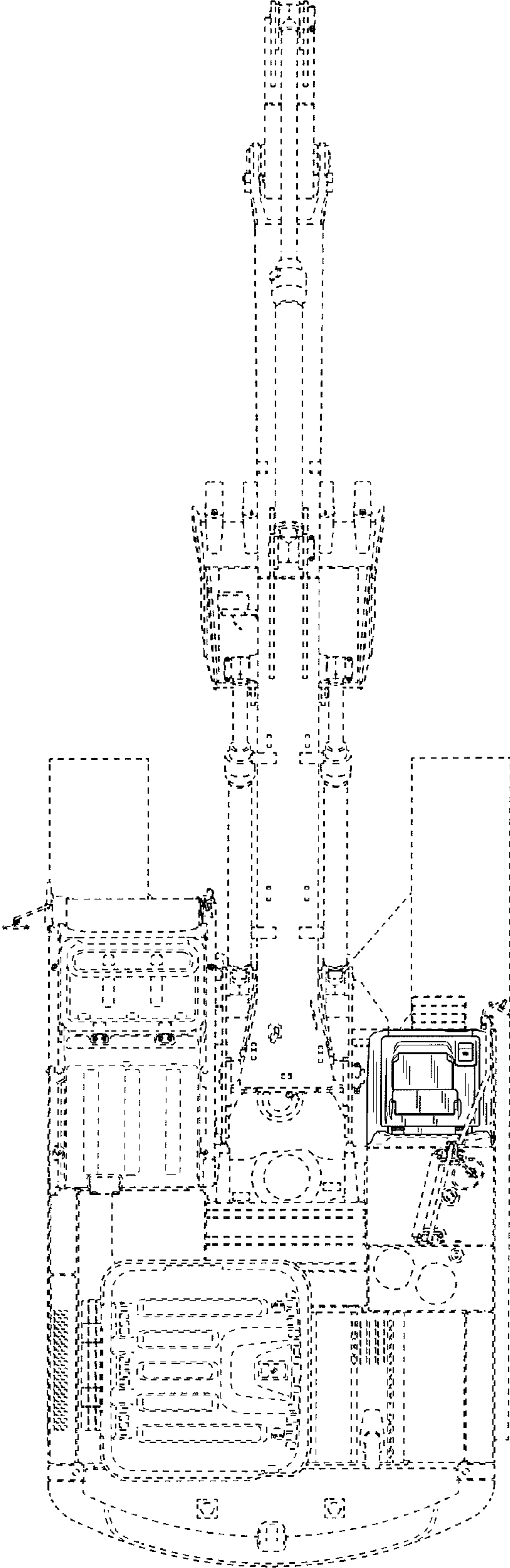


FIG. 6

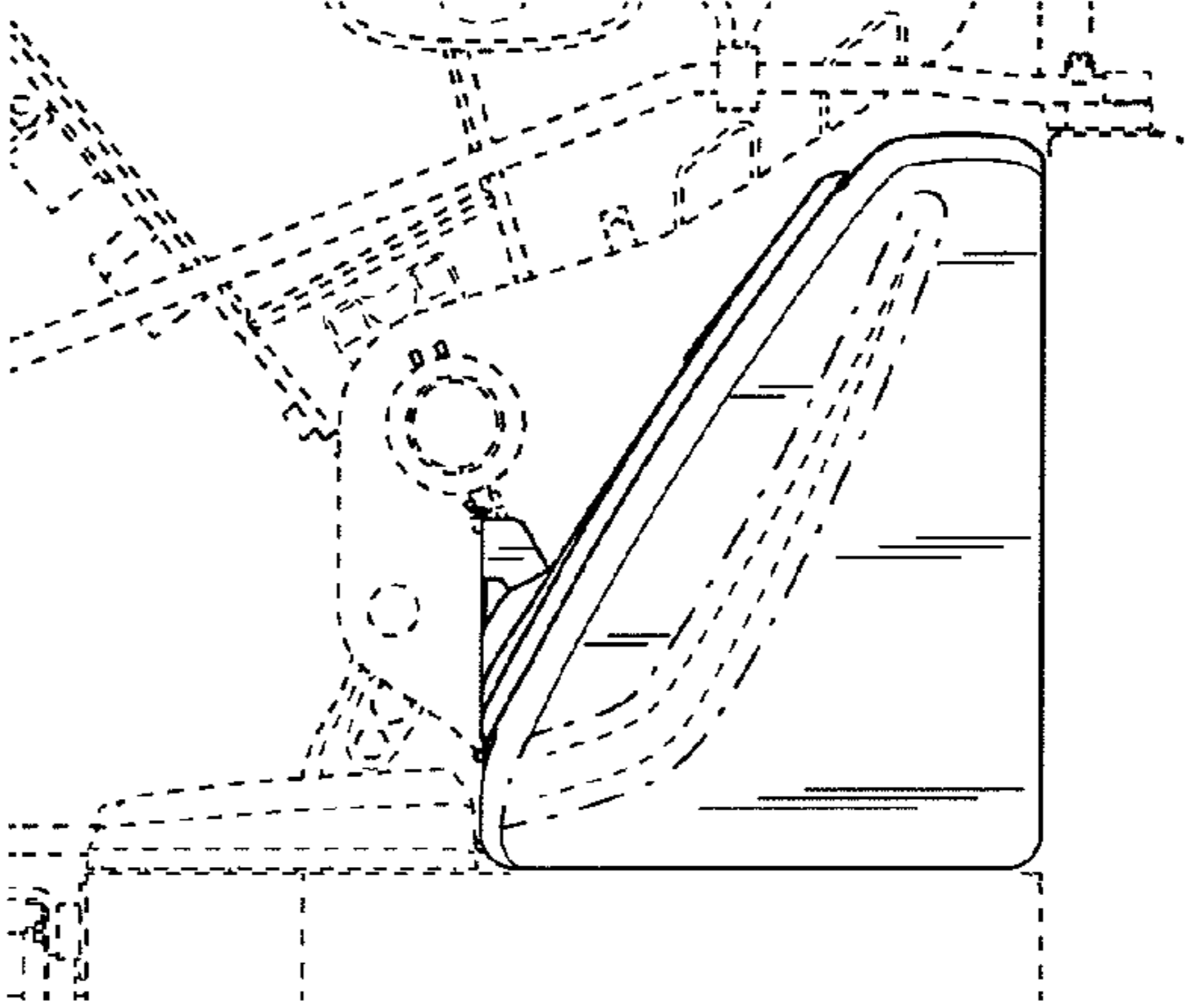


FIG. 5

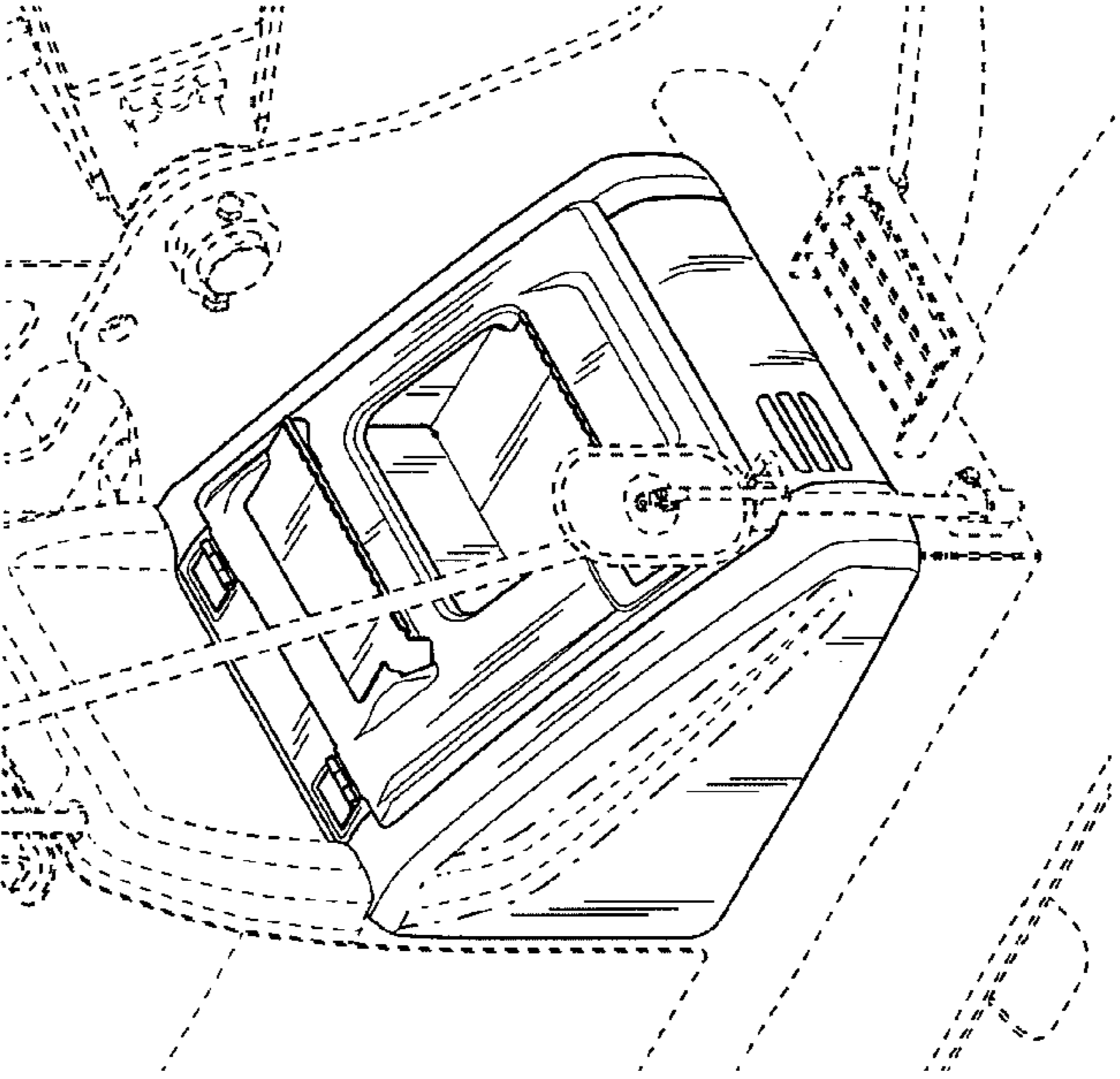


FIG. 8

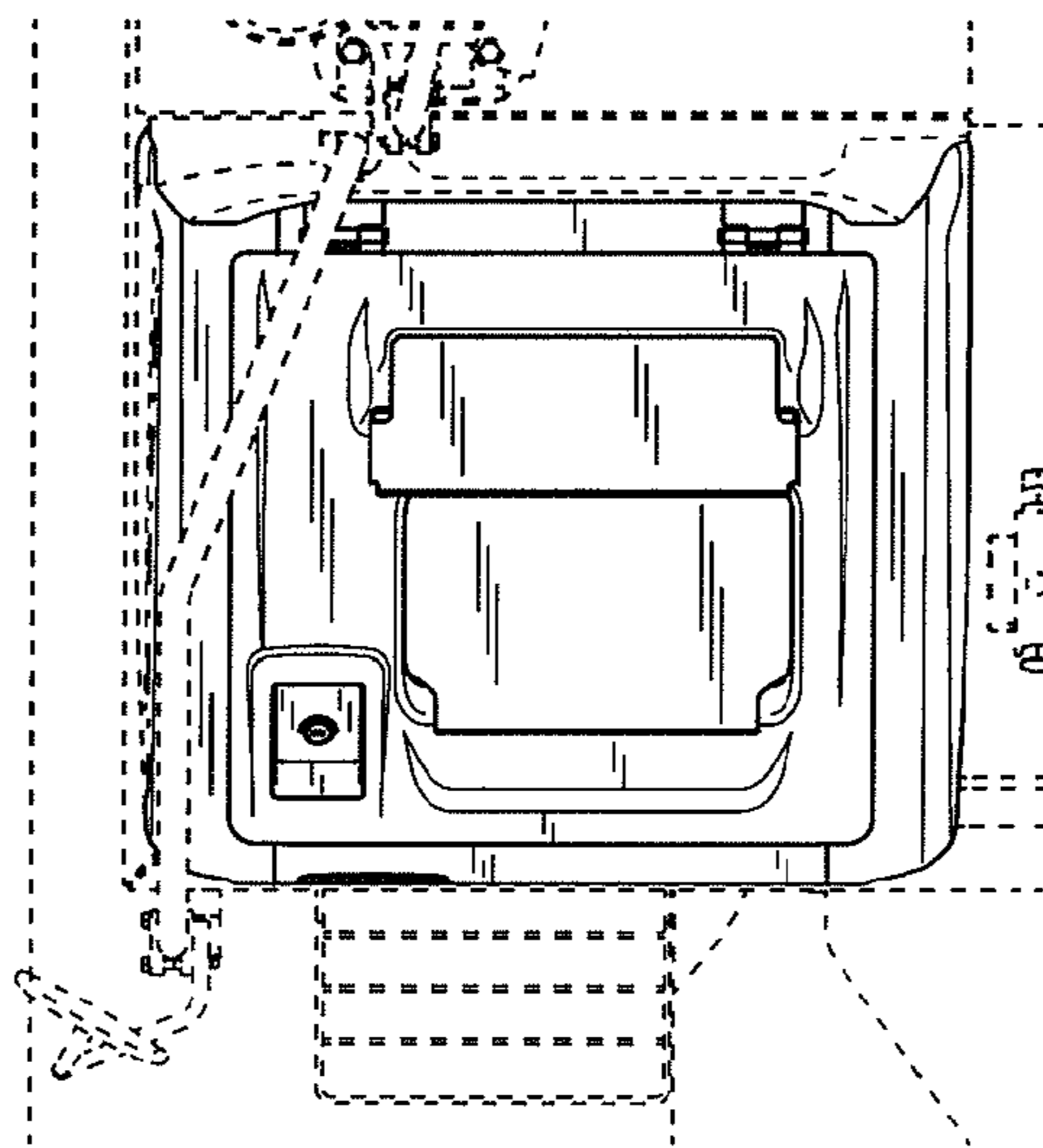


FIG. 7

