

US00D681069S

(12) **United States Design Patent**
Fundakowski et al.

(10) **Patent No.:** **US D681,069 S**

(45) **Date of Patent:** **** Apr. 30, 2013**

(54) **MOUNTING BLOCK FOR PAVING APPARATUS**

(75) Inventors: **Anne K. Fundakowski**, Roseville, MN (US); **Benjamin T. Schafer**, Elk River, MN (US); **Joseph D. Koehler**, Dayton, MN (US)

(73) Assignee: **Caterpillar Paving Products Inc.**, Minneapolis, MN (US)

(**) Term: **14 Years**

(21) Appl. No.: **29/428,508**

(22) Filed: **Jul. 31, 2012**

(51) **LOC (9) Cl.** **15-03**

(52) **U.S. Cl.**
USPC **D15/28**

(58) **Field of Classification Search** D15/11,
D15/19, 21, 28, 29, 32; 403/11, 16; 299/79.1,
299/39.8, 87.1, 102-113, 100; 29/243

See application file for complete search history.

(56) **References Cited**

U.S. PATENT DOCUMENTS

3,489,042	A *	1/1970	Papp	82/159
4,205,225	A *	5/1980	LeGoff	250/229
4,542,943	A *	9/1985	Montgomery, Jr.	299/102
4,650,254	A *	3/1987	Wechner	299/102
5,011,229	A *	4/1991	O'Neill et al.	299/102
5,052,757	A *	10/1991	Latham	299/87.1
5,186,575	A *	2/1993	Wirtgen	404/96
5,322,351	A *	6/1994	Lent	299/102
5,417,131	A *	5/1995	Robertson	82/158
5,842,747	A *	12/1998	Winchester	299/87.1
6,086,160	A *	7/2000	Bitelli	299/104
6,176,552	B1 *	1/2001	Topka et al.	299/104
6,183,170	B1 *	2/2001	Wald et al.	407/46
6,244,665	B1 *	6/2001	Bise et al.	299/106
6,386,641	B2 *	5/2002	Mondy	299/79.1
6,764,140	B2 *	7/2004	Carson et al.	299/79.1

6,832,818	B2 *	12/2004	Luciano	299/39.8
6,962,395	B2 *	11/2005	Mouthaan	299/104
7,066,555	B2 *	6/2006	Hansen et al.	299/39.8
7,108,212	B2 *	9/2006	Latham	241/294
7,234,782	B2 *	6/2007	Stehney	299/104
7,278,692	B2 *	10/2007	Sollami	299/106
7,290,726	B2 *	11/2007	Latham	241/294
7,300,115	B2 *	11/2007	Holl et al.	299/106
7,338,134	B2 *	3/2008	Latham	299/87.1
D567,270	S *	4/2008	Chiang	D15/140
7,357,608	B2 *	4/2008	Erickson et al.	409/234
7,380,887	B2 *	6/2008	Latham	299/87.1
D574,689	S *	8/2008	Holl et al.	D8/71
D575,610	S *	8/2008	Holl et al.	D8/71
D585,259	S *	1/2009	Holl et al.	D8/71

(Continued)

Primary Examiner — Mark Goodwin

(74) *Attorney, Agent, or Firm* — Finnegan, Henderson, Farabow, Garrett & Dunner LLP

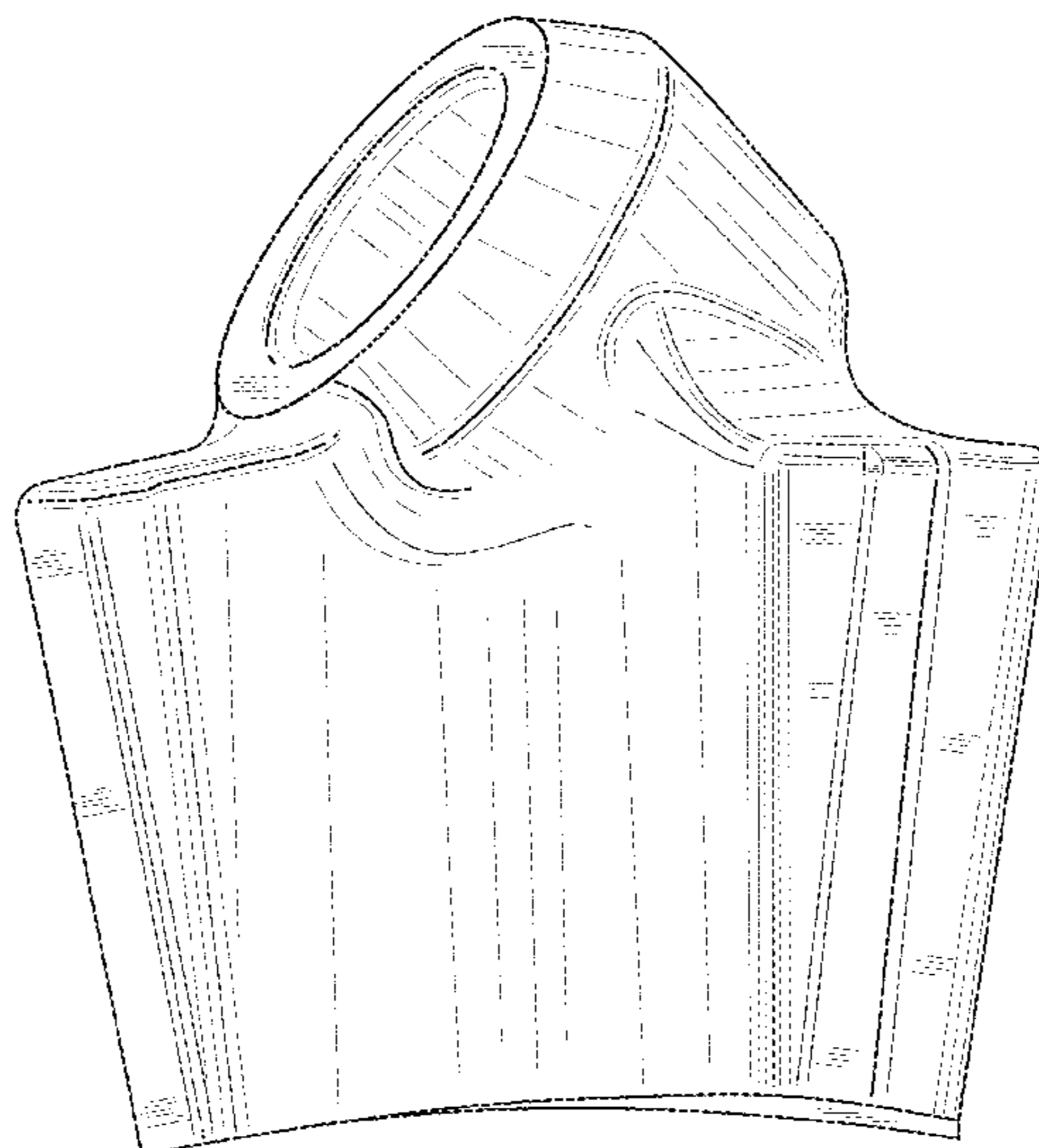
(57) **CLAIM**

The ornamental design for a mounting block for paving apparatus, as shown and described.

DESCRIPTION

FIG. 1 is a right front view of a mounting block for paving apparatus showing our new design;
 FIG. 2 is a right rear perspective view thereof;
 FIG. 3 is a bottom left perspective view thereof;
 FIG. 4 is a top left perspective view thereof;
 FIG. 5 is a left side view thereof;
 FIG. 6 is a right side view thereof;
 FIG. 7 is a top plan view thereof;
 FIG. 8 is a bottom perspective view thereof; and,
 FIG. 9 is a top perspective view thereof, with environment depicted in broken lines and elements in broken lines forming no part of the claimed design.
 The bottom of the design is not seen during ordinary use and is not part of the claimed design.

1 Claim, 9 Drawing Sheets



US D681,069 S

Page 2

U.S. PATENT DOCUMENTS

7,520,570	B2 *	4/2009	Sansone et al.	299/95	D666,642	S *	9/2012	Buhr et al.	D15/140
7,547,074	B2 *	6/2009	Beach et al.	299/79.1	D666,643	S *	9/2012	Buhr et al.	D15/140
D624,940	S *	10/2010	Buhr et al.	D15/28	D667,854	S *	9/2012	Kammerer et al.	D15/140
D624,941	S *	10/2010	Buhr et al.	D15/28	D667,855	S *	9/2012	Kammerer et al.	D15/140
D632,703	S *	2/2011	Buhr et al.	D15/28	D667,856	S *	9/2012	Kammerer et al.	D15/140
7,883,155	B2 *	2/2011	Sollami	299/104	D671,578	S *	11/2012	Buhr et al.	D15/140
D638,453	S *	5/2011	Buhr et al.	D15/140	2003/0015907	A1 *	1/2003	Sollami	299/104
8,020,940	B2 *	9/2011	Greenspan et al.	299/101	2004/0004389	A1 *	1/2004	Latham	299/104
D666,226	S *	8/2012	Buhr et al.	D15/140	2005/0098015	A1 *	5/2005	Latham	83/698.41
D666,641	S *	9/2012	Buhr et al.	D15/140					

* cited by examiner

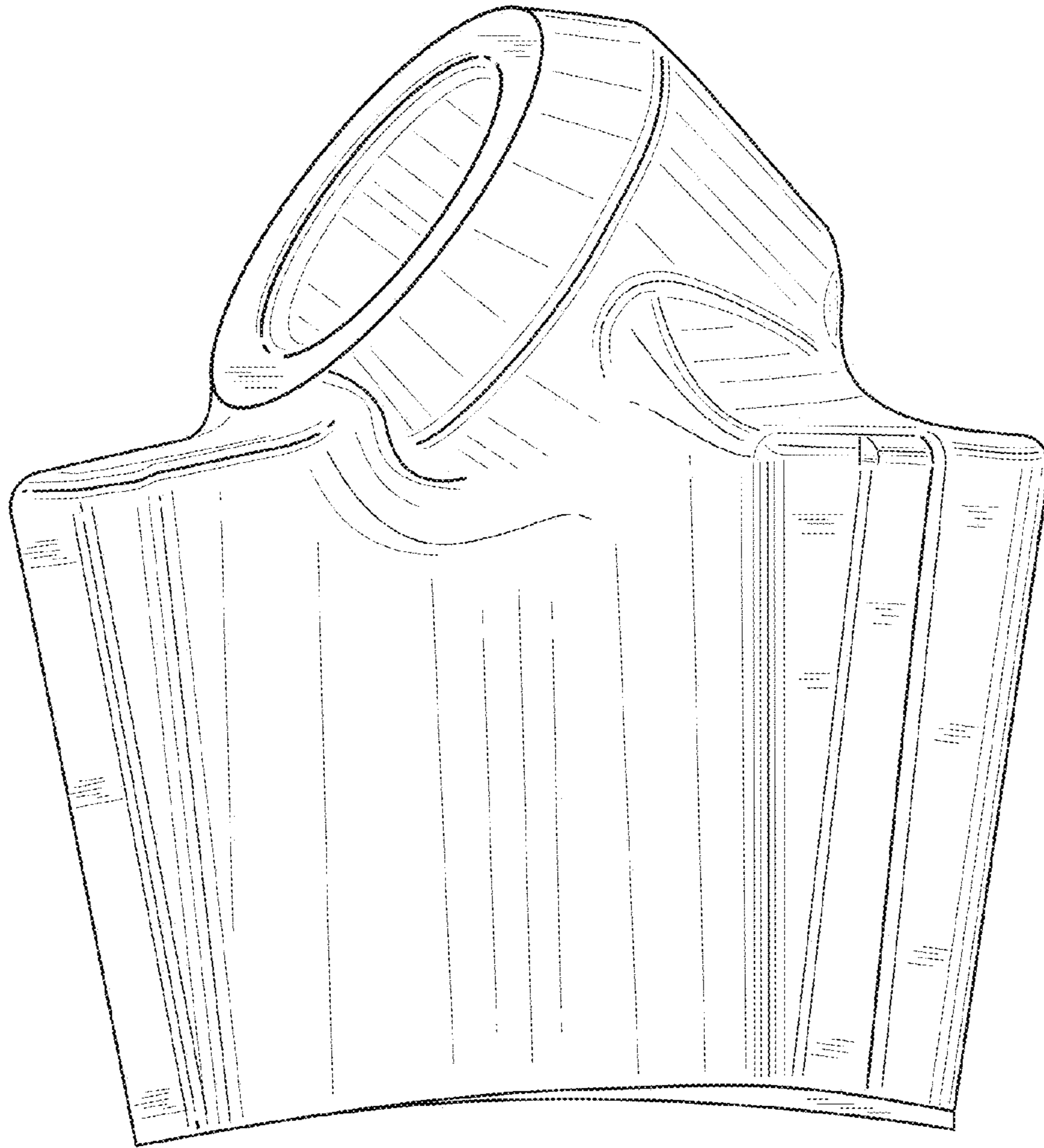


FIG. 1

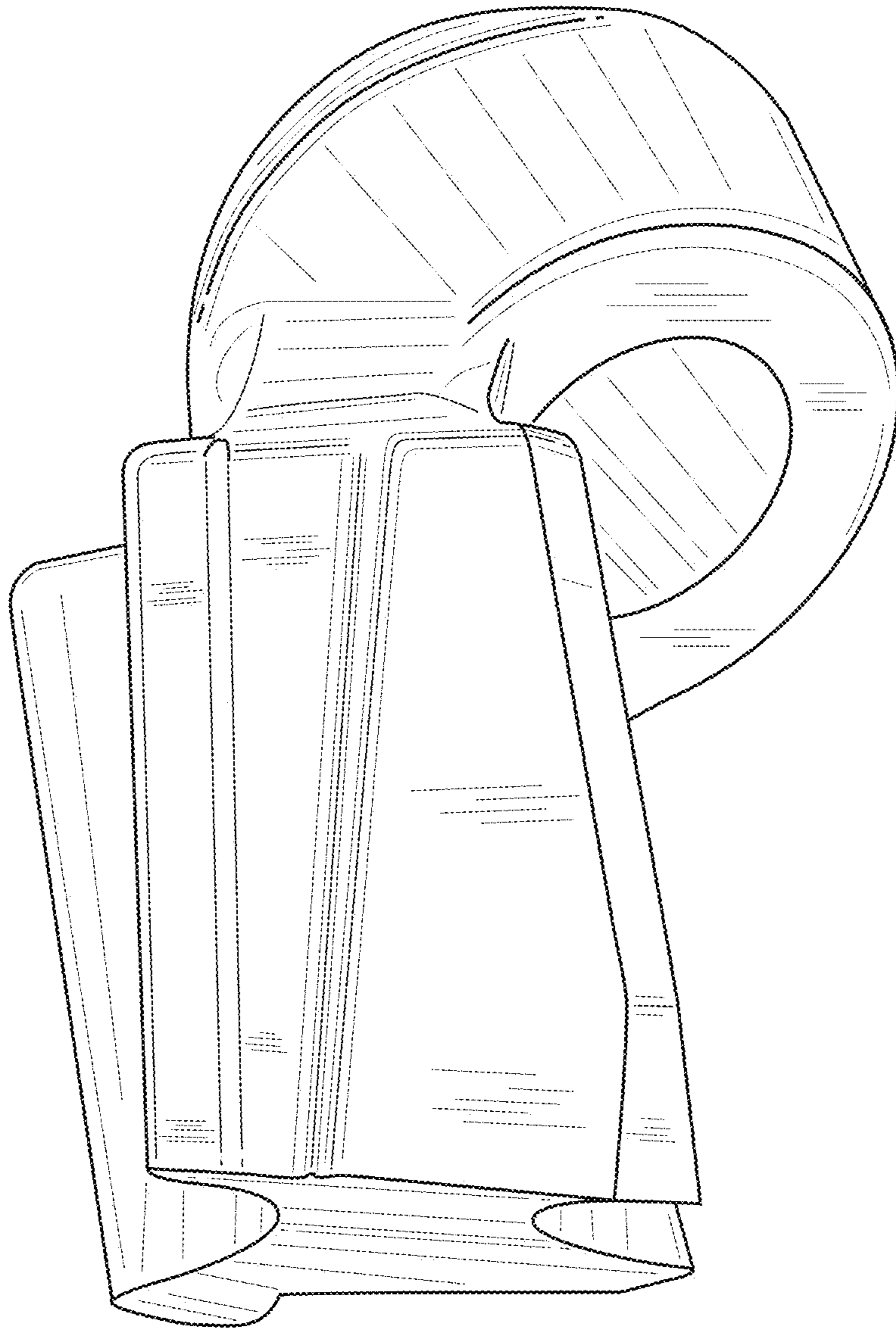


FIG. 2

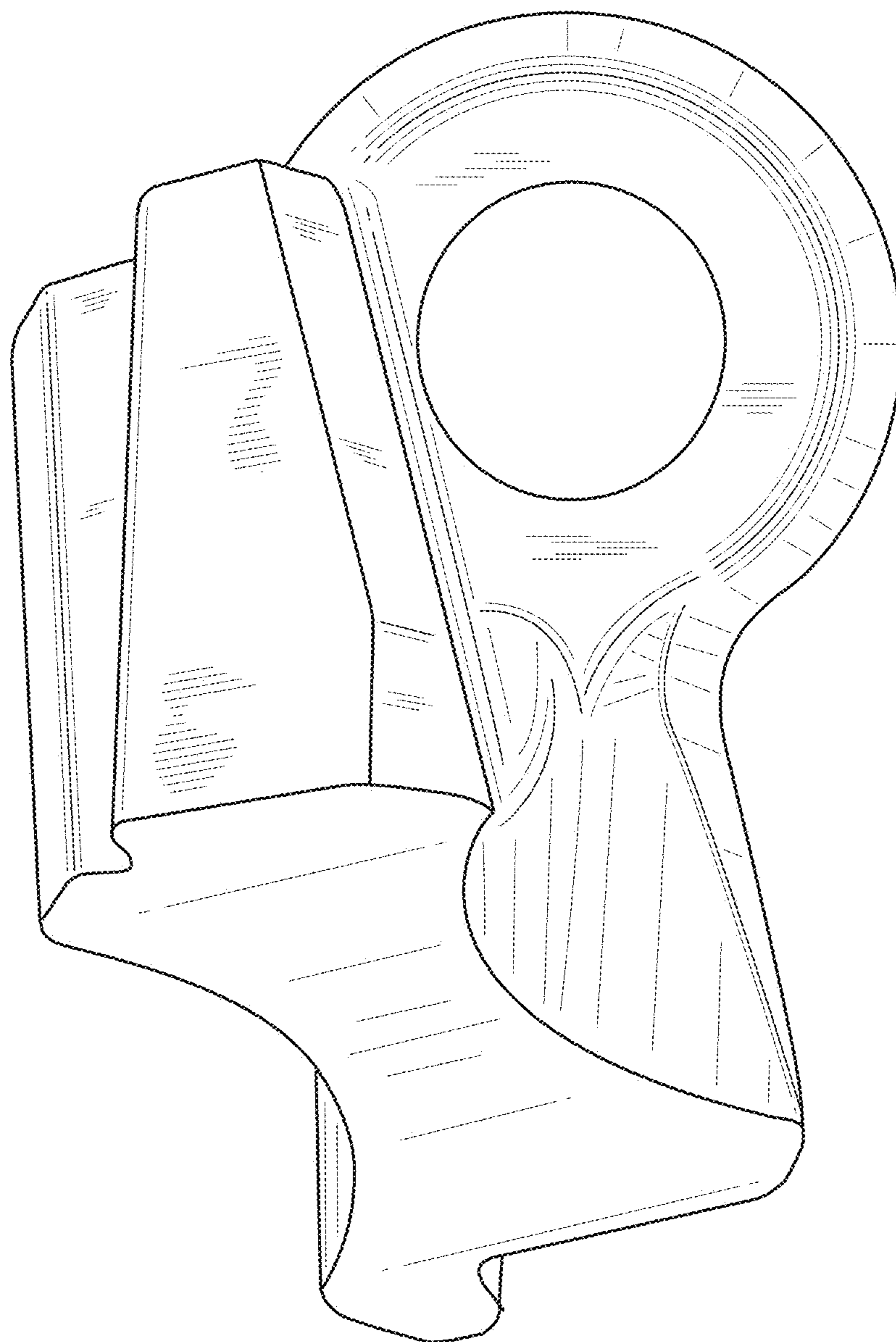


FIG. 3

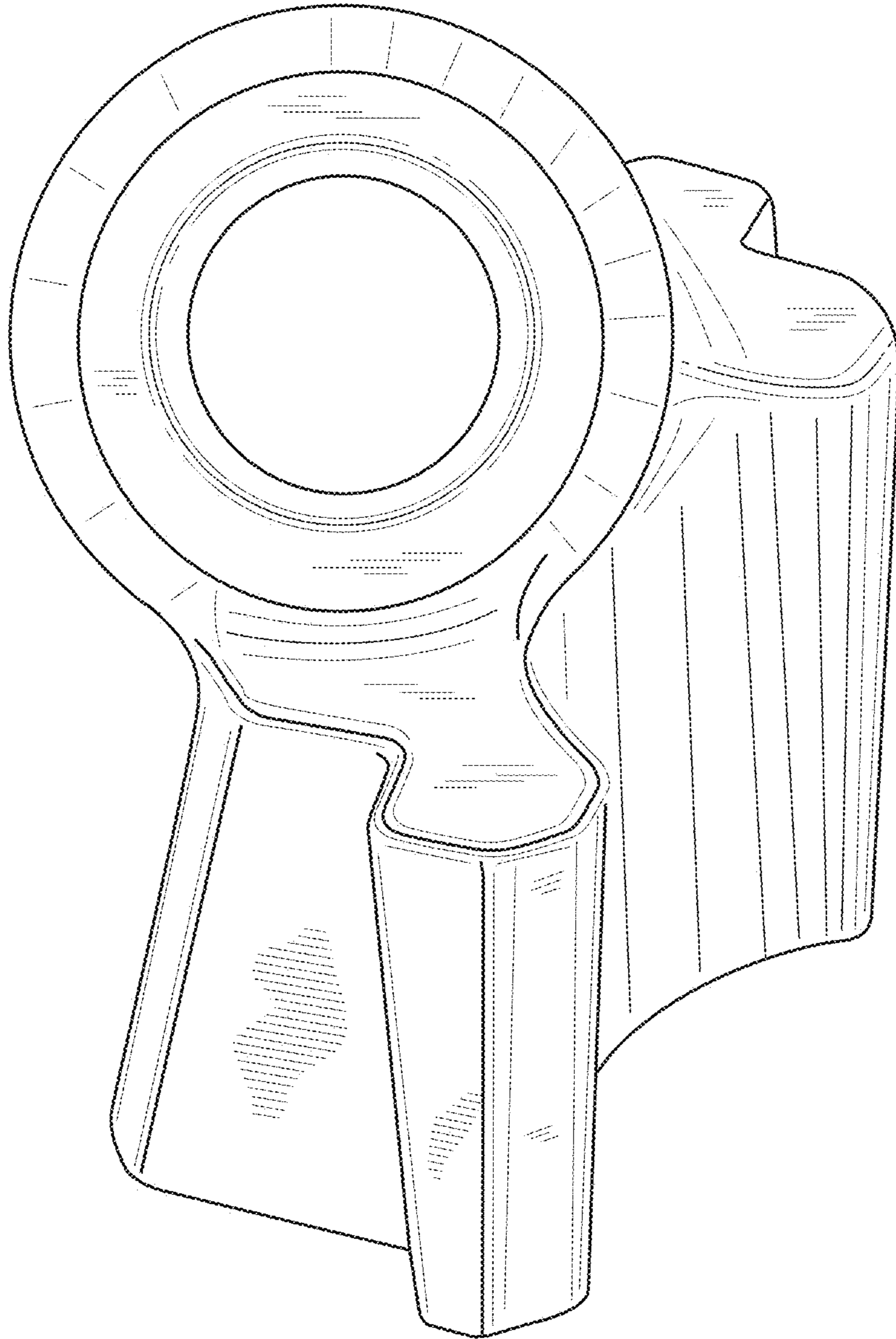


FIG. 4

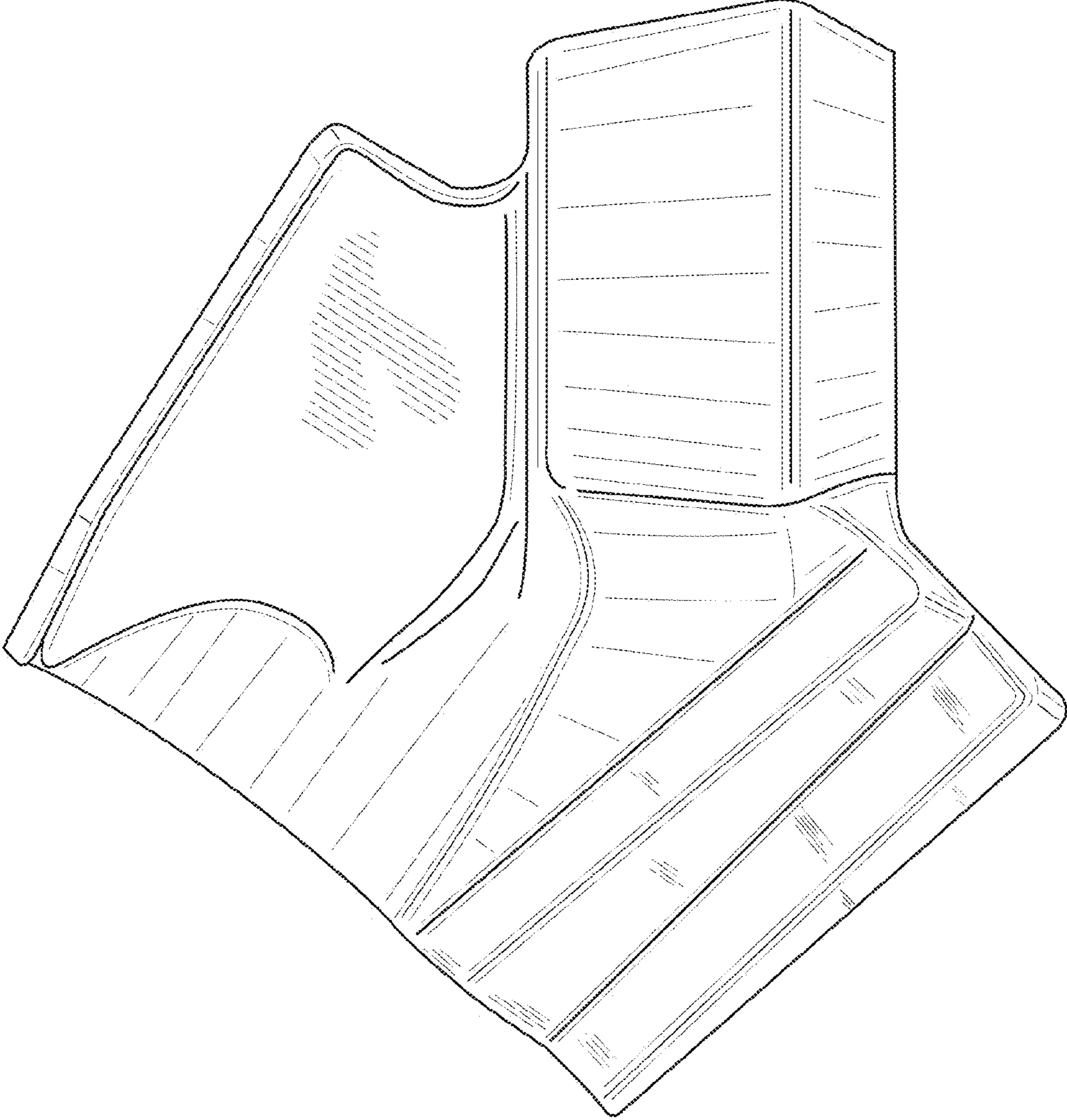


FIG. 5

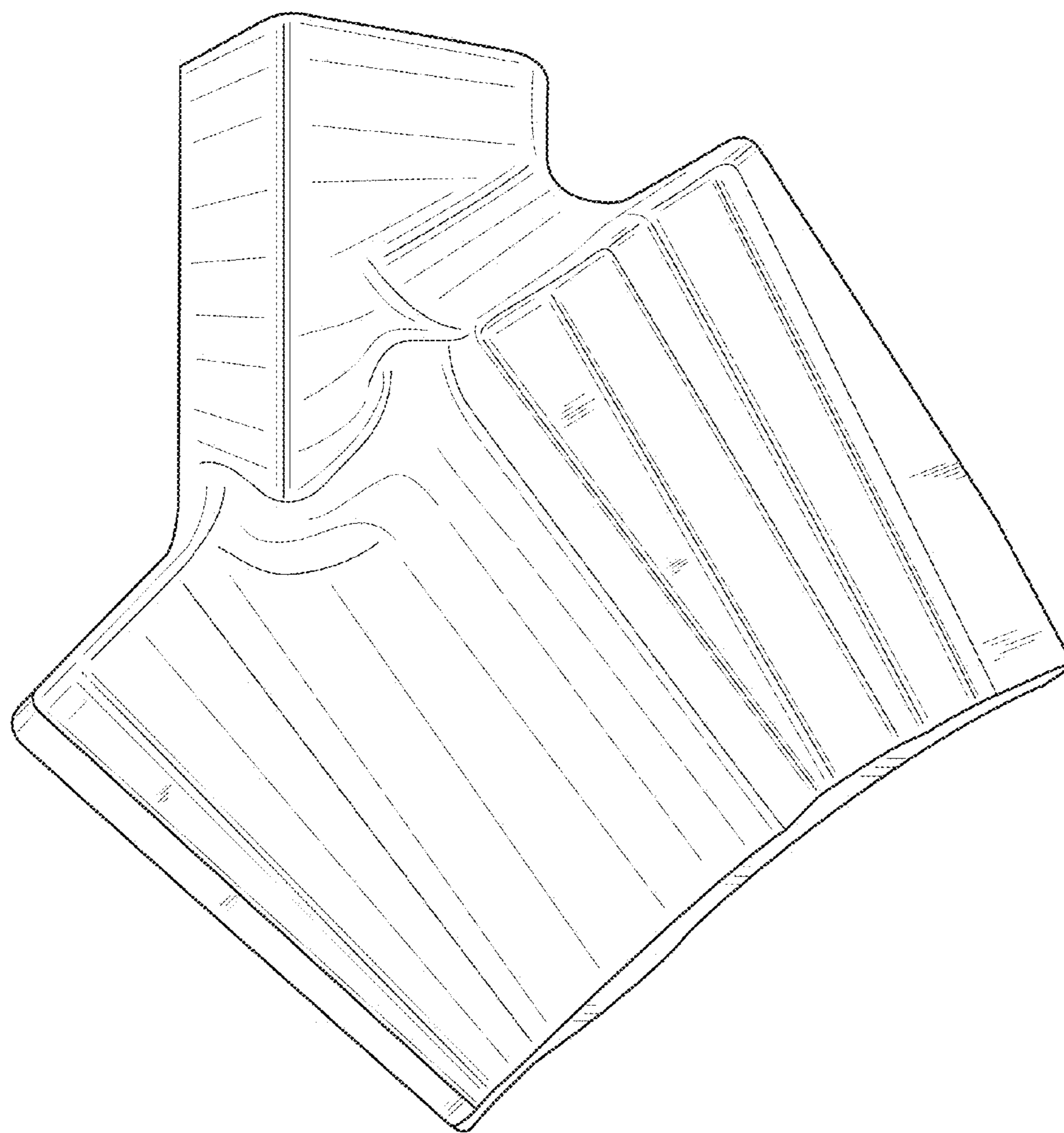


FIG. 6

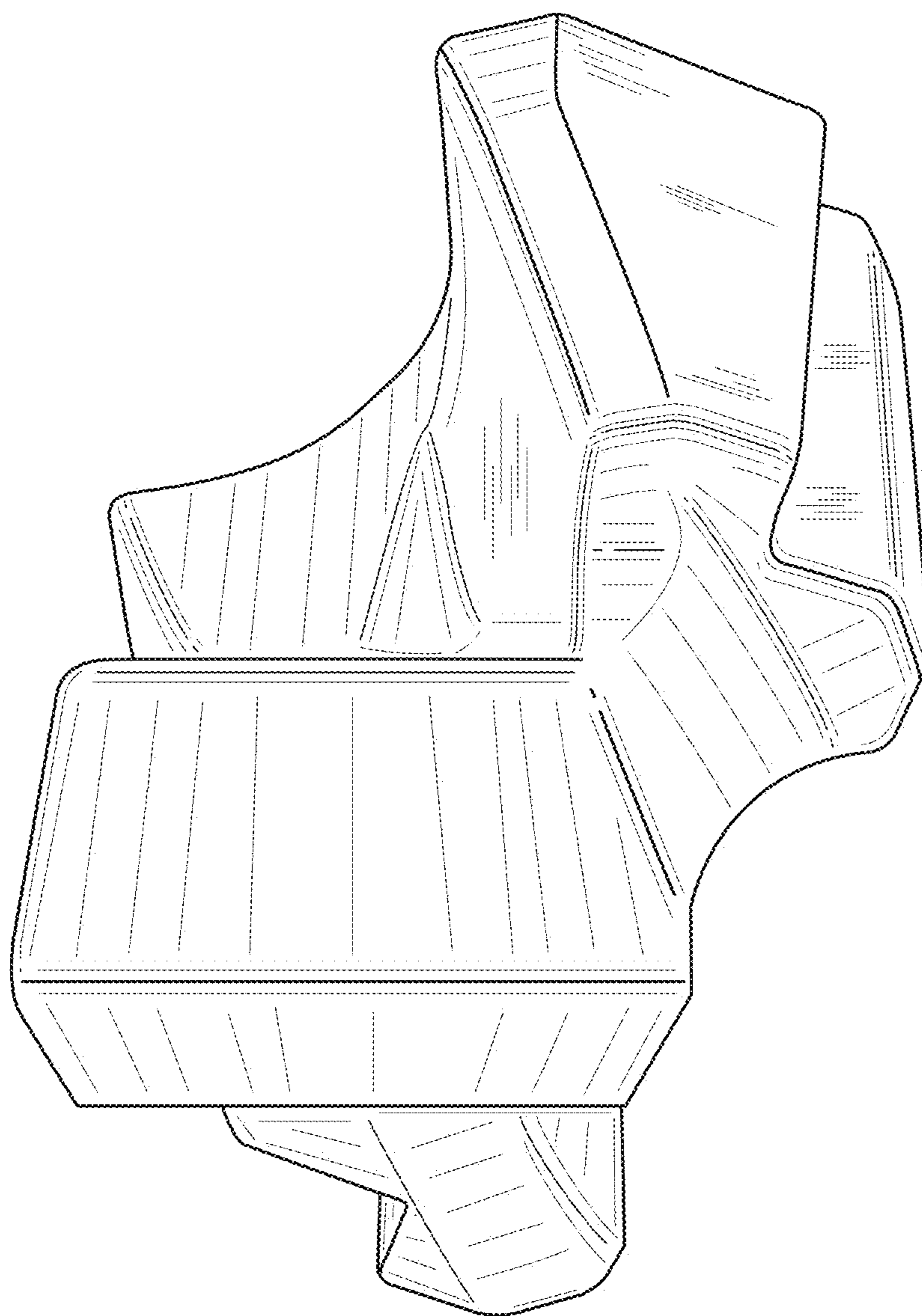


FIG. 7

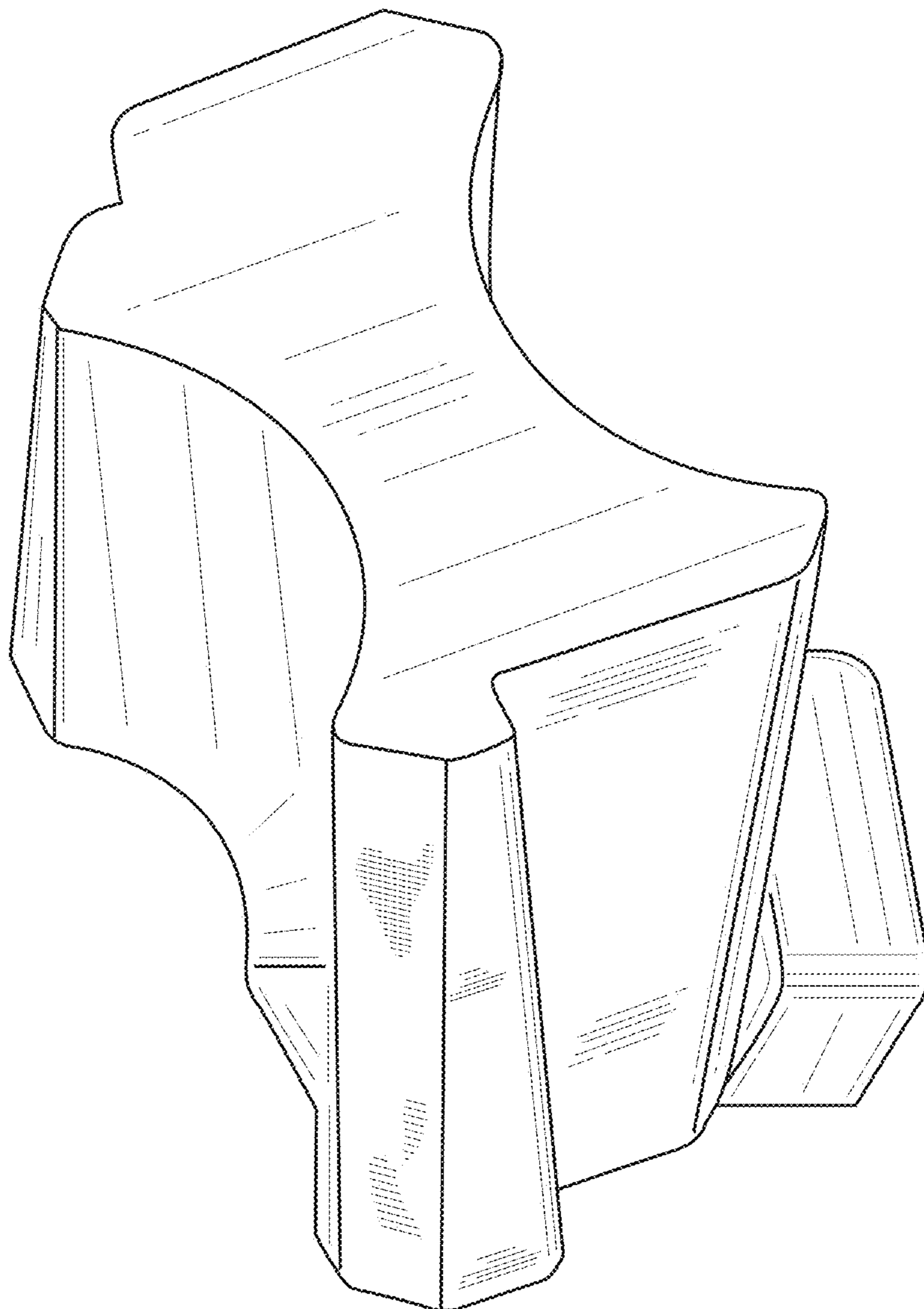


FIG. 8

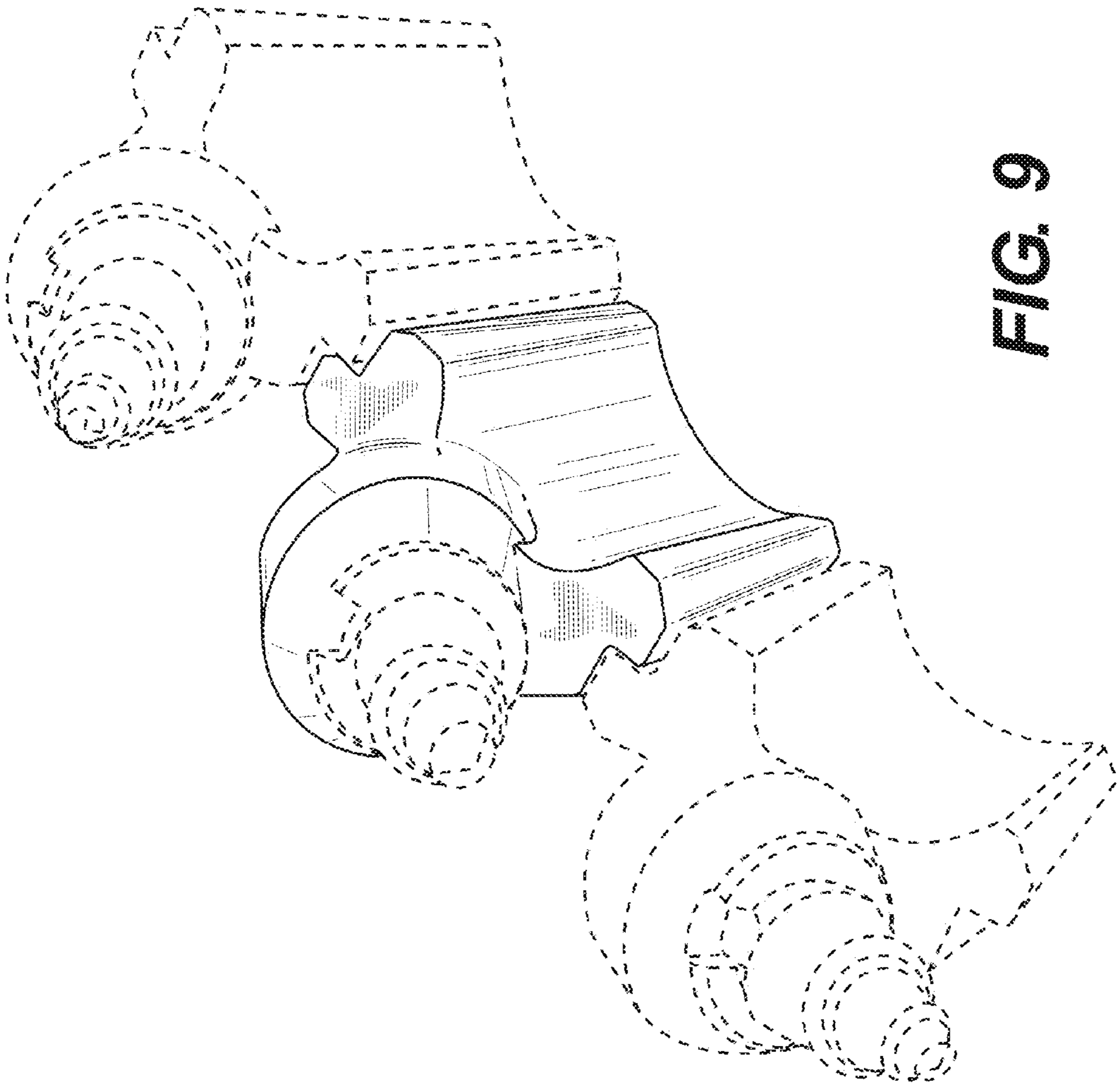


FIG. 9