



US00D681066S

(12) **United States Design Patent**
Saito et al.

(10) **Patent No.:** **US D681,066 S**
(45) **Date of Patent:** **** Apr. 30, 2013**

(54) **HYDRAULIC EXCAVATOR**

(56) **References Cited**

(71) Applicant: **Hitachi Construction Machinery Co., Ltd.**, Tokyo (JP)
(72) Inventors: **Akira Saito**, Kodaira (JP); **Kazuhiko Hiraoka**, Kodaira (JP); **Shigehisa Hagura**, Akishima (JP); **Tomoyuki Miyata**, Kodaira (JP); **Shogo Kimura**, Ritto (JP); **Tomoyuki Tanaka**, Yasu (JP)
(73) Assignee: **Hitachi Construction Machinery Co., Ltd.**, Tokyo (JP)
(**) Term: **14 Years**

U.S. PATENT DOCUMENTS

D309,313	S	*	7/1990	Takashima et al.	D15/25
D312,468	S	*	11/1990	Masumoto et al.	D15/25
D354,497	S	*	1/1995	Kusunoki et al.	D15/25
D440,235	S	*	4/2001	Kuwae et al.	D15/25
D462,973	S	*	9/2002	Tamaru et al.	D15/25
D462,974	S	*	9/2002	Yanagida et al.	D15/25
D474,481	S	*	5/2003	Hara	D15/25
D511,531	S	*	11/2005	Sewell et al.	D15/24
D518,071	S	*	3/2006	Gwak et al.	D15/25
D527,027	S	*	8/2006	Smith et al.	D15/24
D538,304	S	*	3/2007	Uemura	D15/25
D538,827	S	*	3/2007	Uemura	D15/25
D561,785	S	*	2/2008	Imashige et al.	D15/24
D576,180	S	*	9/2008	Kuwae et al.	D15/25
D609,252	S	*	2/2010	Shimada et al.	D15/25
D633,926	S	*	3/2011	Shimada et al.	D15/25

* cited by examiner

Primary Examiner — Mark Goodwin

(74) *Attorney, Agent, or Firm* — Antonelli, Terry, Stout & Kraus, LLP.

(21) Appl. No.: **29/436,710**

(22) Filed: **Nov. 8, 2012**

(30) **Foreign Application Priority Data**

May 10, 2012 (JP) 2012-010862

(51) **LOC (9) Cl.** **12-09**

(52) **U.S. Cl.**
USPC **D15/24; D15/25**

(58) **Field of Classification Search** D15/10,
D15/22-26, 28, 30; 180/89.1, 89.12, 89.13,
180/900, 9.1, 9.2, 9.62; 37/379; 414/694,
414/699, 722-724, 660, 685, 698, 719, 743

See application file for complete search history.

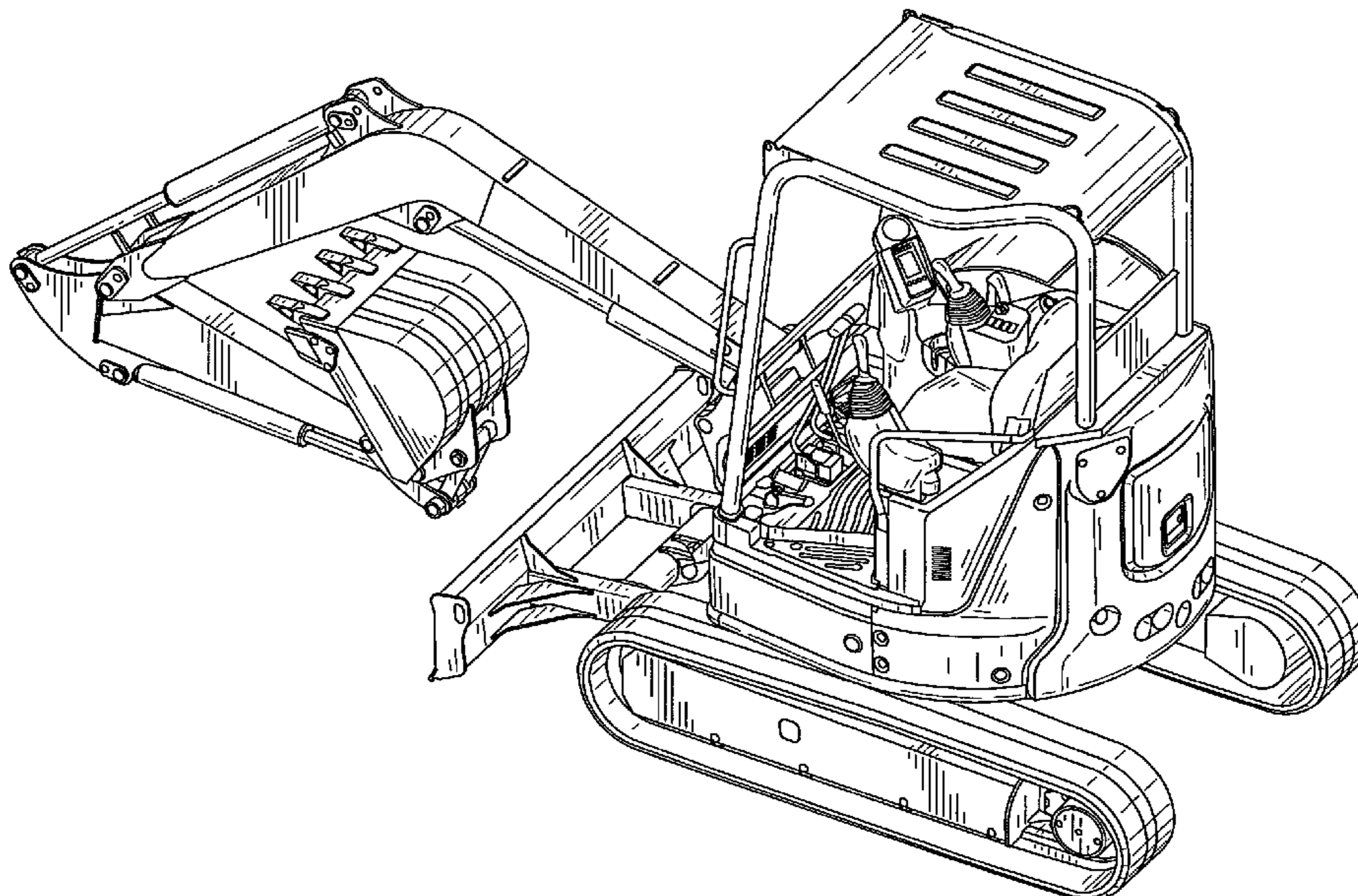
(57) **CLAIM**

We claim the ornamental design for a hydraulic excavator, as shown.

DESCRIPTION

FIG. 1 is a front, top and right side perspective view of a hydraulic excavator showing our new design; FIG. 2 is a front elevational view thereof; FIG. 3 is a rear elevational view thereof; FIG. 4 is a left side elevational view thereof; FIG. 5 is a right side elevational view thereof; FIG. 6 is a top plan view thereof; and, FIG. 7 is a bottom plan view thereof.

1 Claim, 6 Drawing Sheets



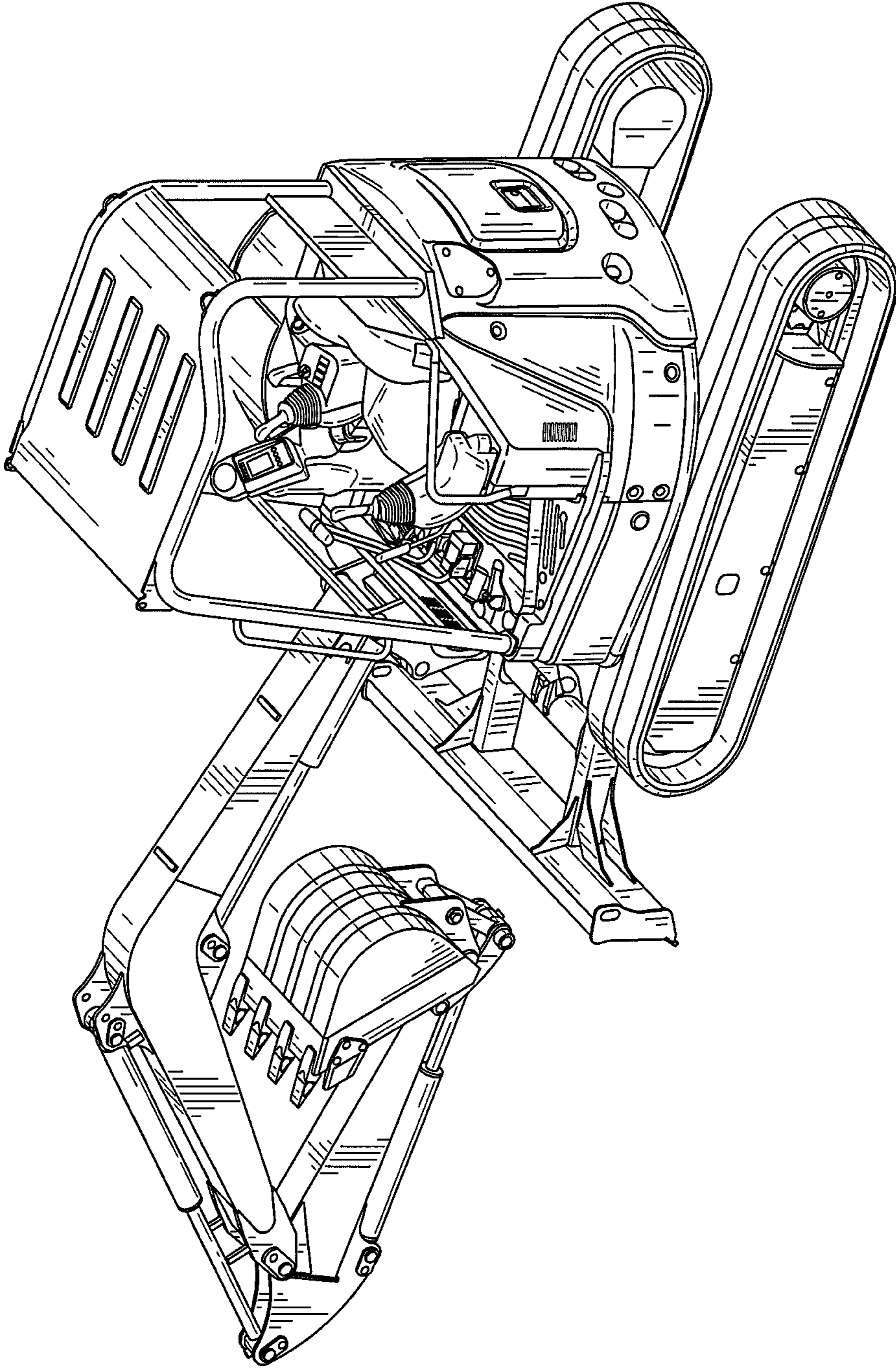


FIG. 1

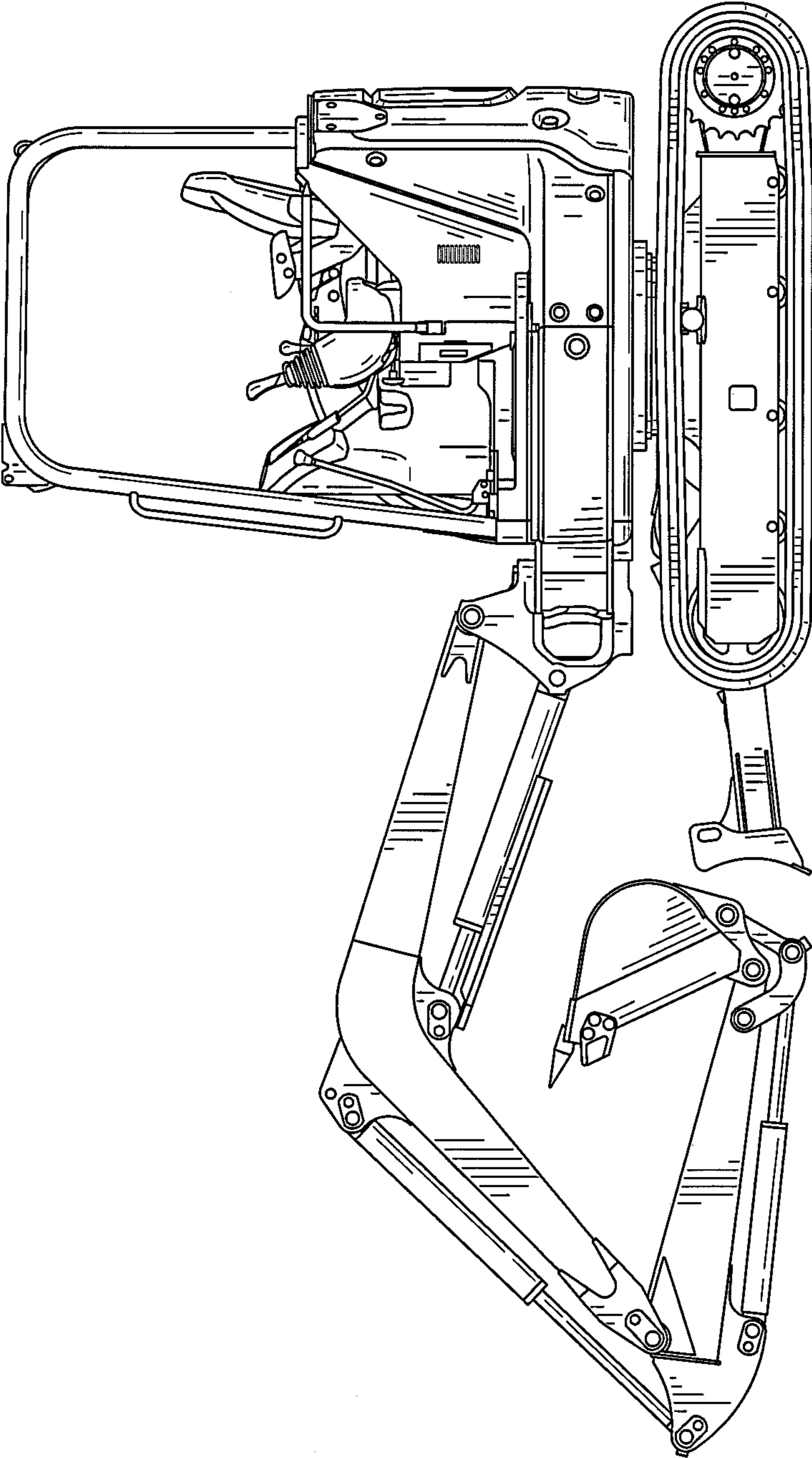


FIG. 2

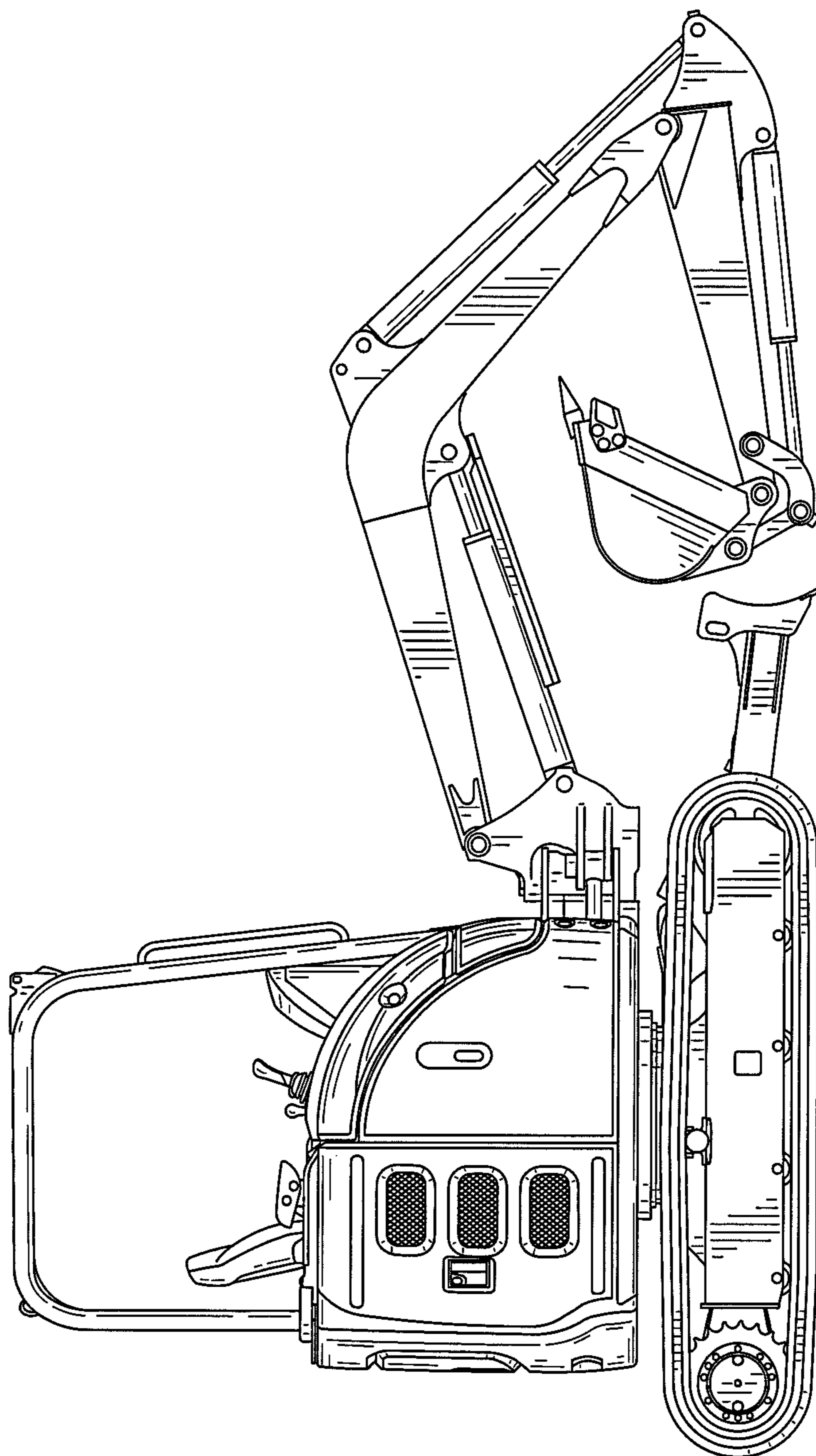


FIG. 3

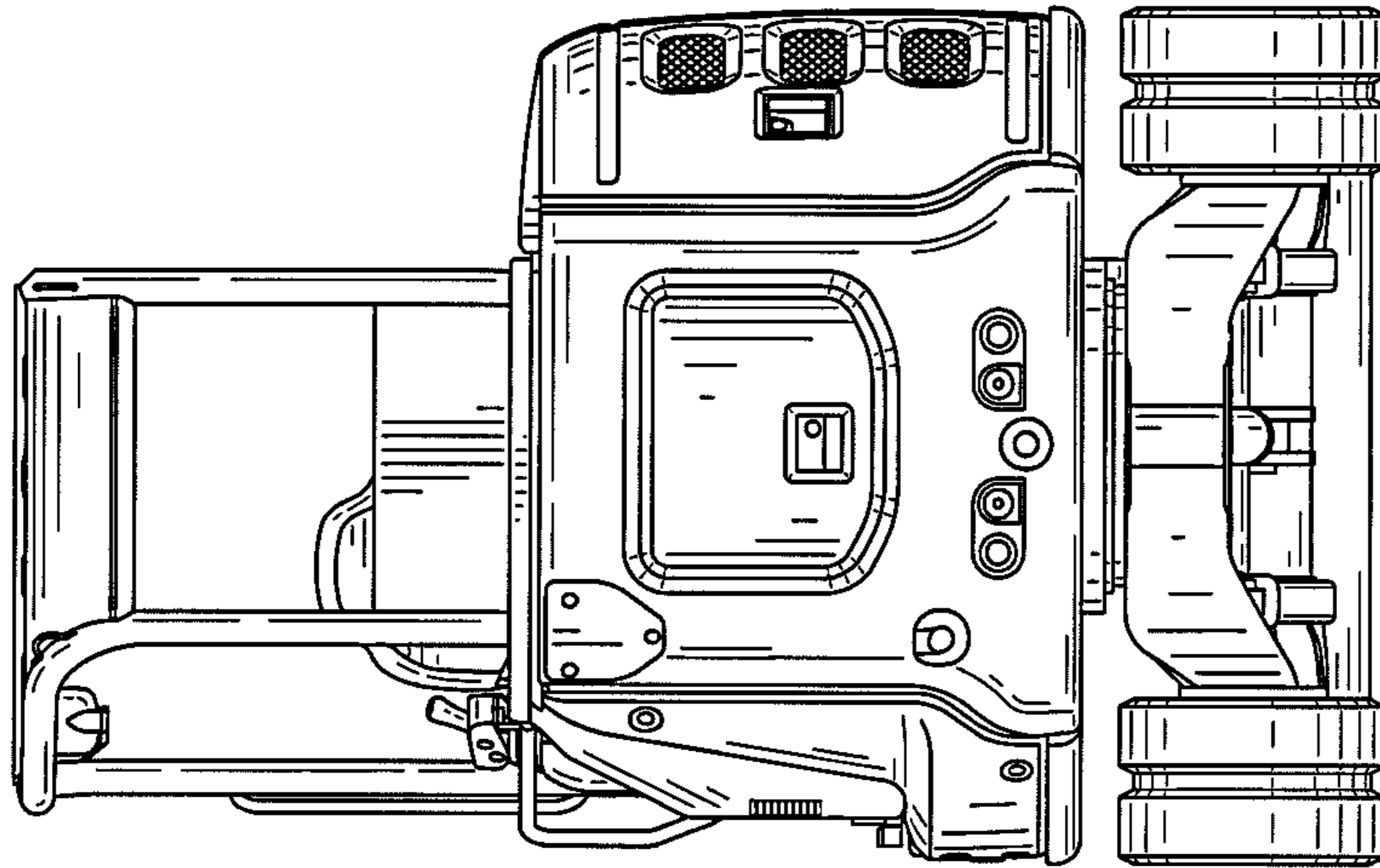


FIG. 5

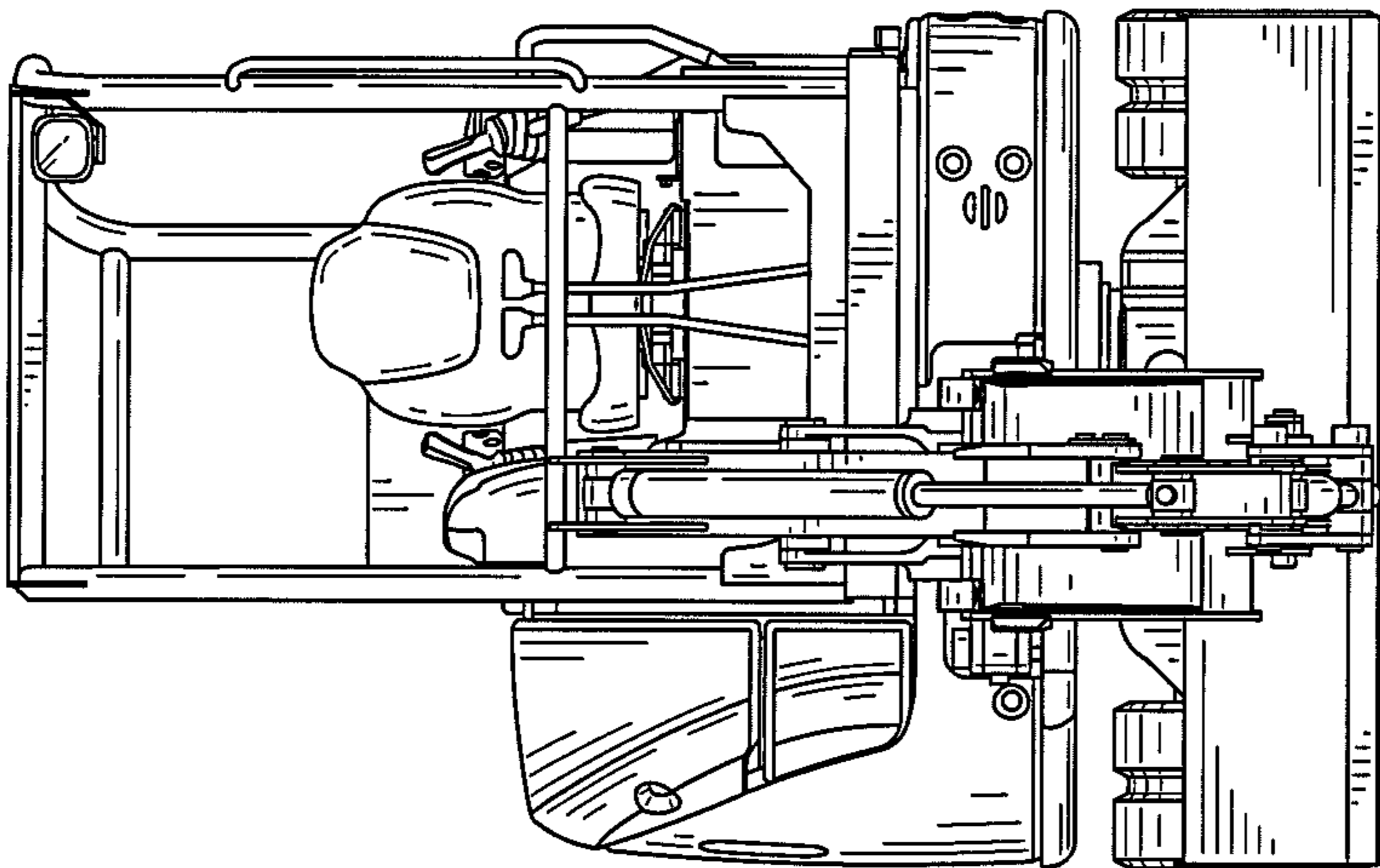


FIG. 4

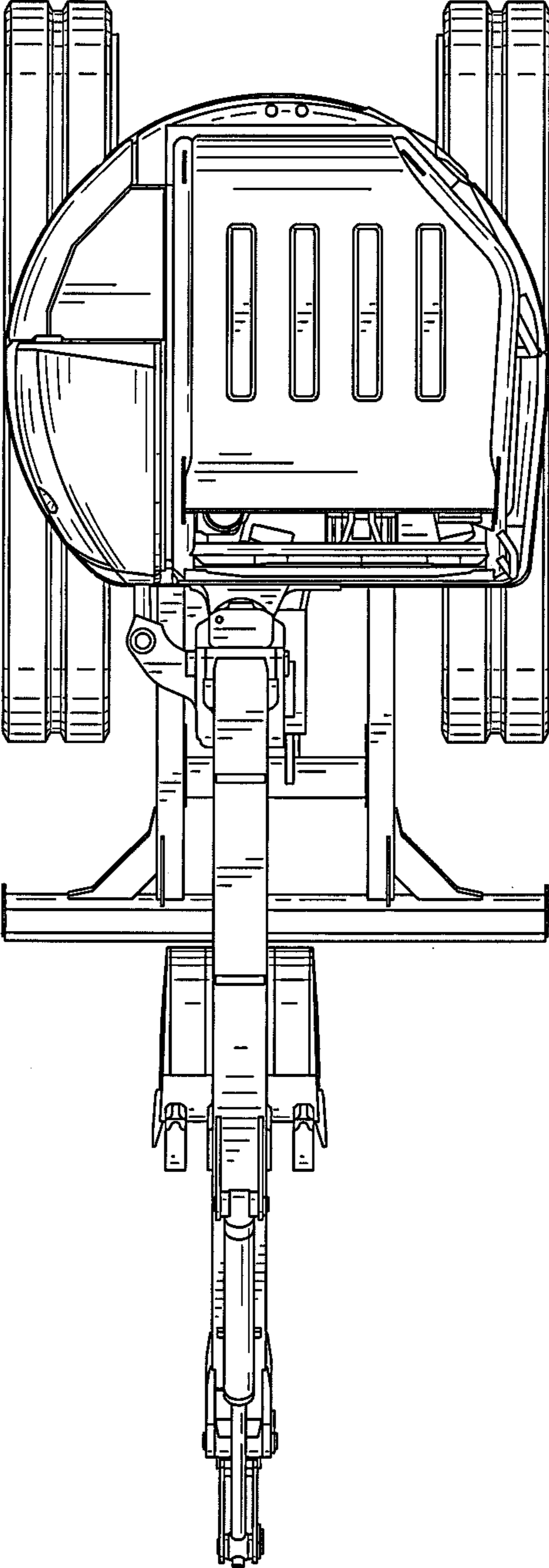


FIG. 6

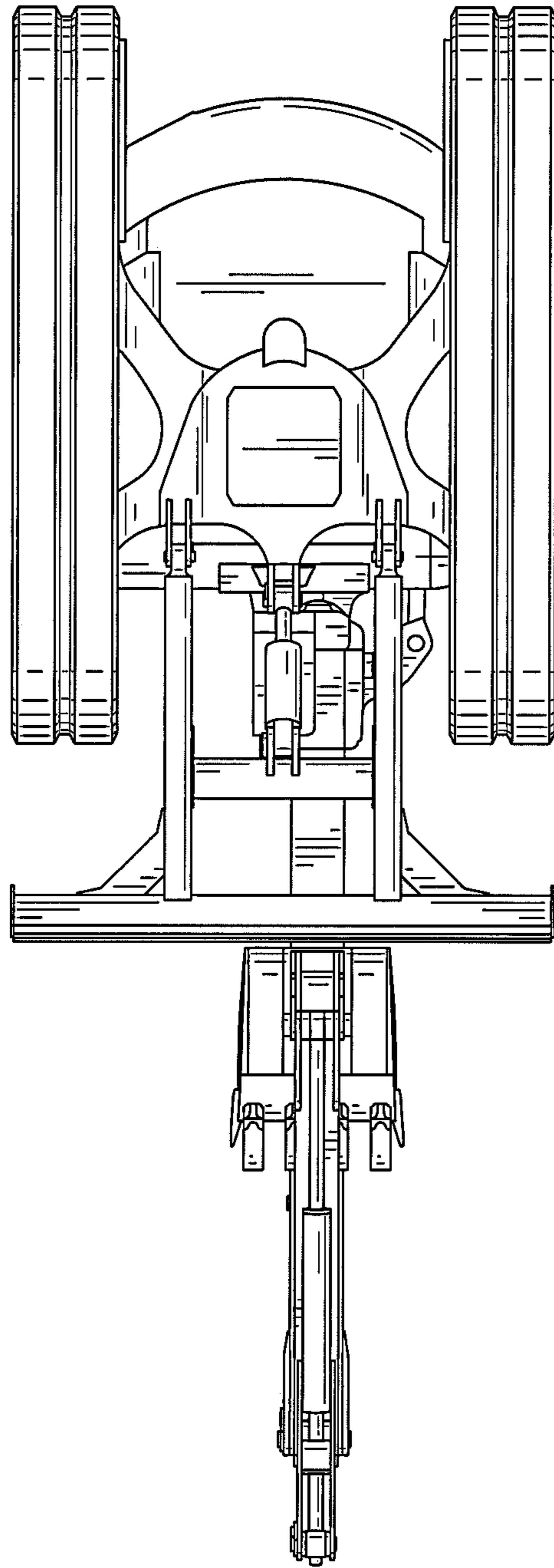


FIG. 7