



US00D681061S

(12) **United States Design Patent**
Utal et al.

(10) **Patent No.:** **US D681,061 S**
(45) **Date of Patent:** **** Apr. 30, 2013**

(54) **MODULAR COMPRESSED NATURAL GAS SYSTEM**

(75) Inventors: **Dalbir Singh Utal**, Houston, TX (US);
Ryan McReynolds, Houston, TX (US);
Alvin K. Chui, Houston, TX (US)

(73) Assignee: **General Electric Company**,
Schenectady, NY (US)

(**) Term: **14 Years**

(21) Appl. No.: **29/431,481**

(22) Filed: **Sep. 7, 2012**

(51) **LOC (9) Cl.** **15-02**

(52) **U.S. Cl.**
USPC **D15/9**

(58) **Field of Classification Search** D15/7-9;
D23/231, 232, 225; 417/60, 235, 265, 321,
417/355, 358, 363, 359, 410.1, 415-416,
417/405, 900, 43, 554; 60/408, 412; 184/26-37;
415/140-147; 123/495, 509; 166/105.1,
166/105.2, 311; 141/2

See application file for complete search history.

(56) **References Cited**

U.S. PATENT DOCUMENTS

D455,442 S *	4/2002	Call et al.	D15/9
D550,716 S *	9/2007	Bennett	D15/7
D550,721 S *	9/2007	Tanaka et al.	D15/9
D613,767 S *	4/2010	Latsos	D15/7
D622,737 S *	8/2010	Nagai et al.	D15/9
D630,652 S *	1/2011	Yoshioka	D15/7

* cited by examiner

Primary Examiner — Ralf Seifert

(74) *Attorney, Agent, or Firm* — Bracewell & Gialini LLP

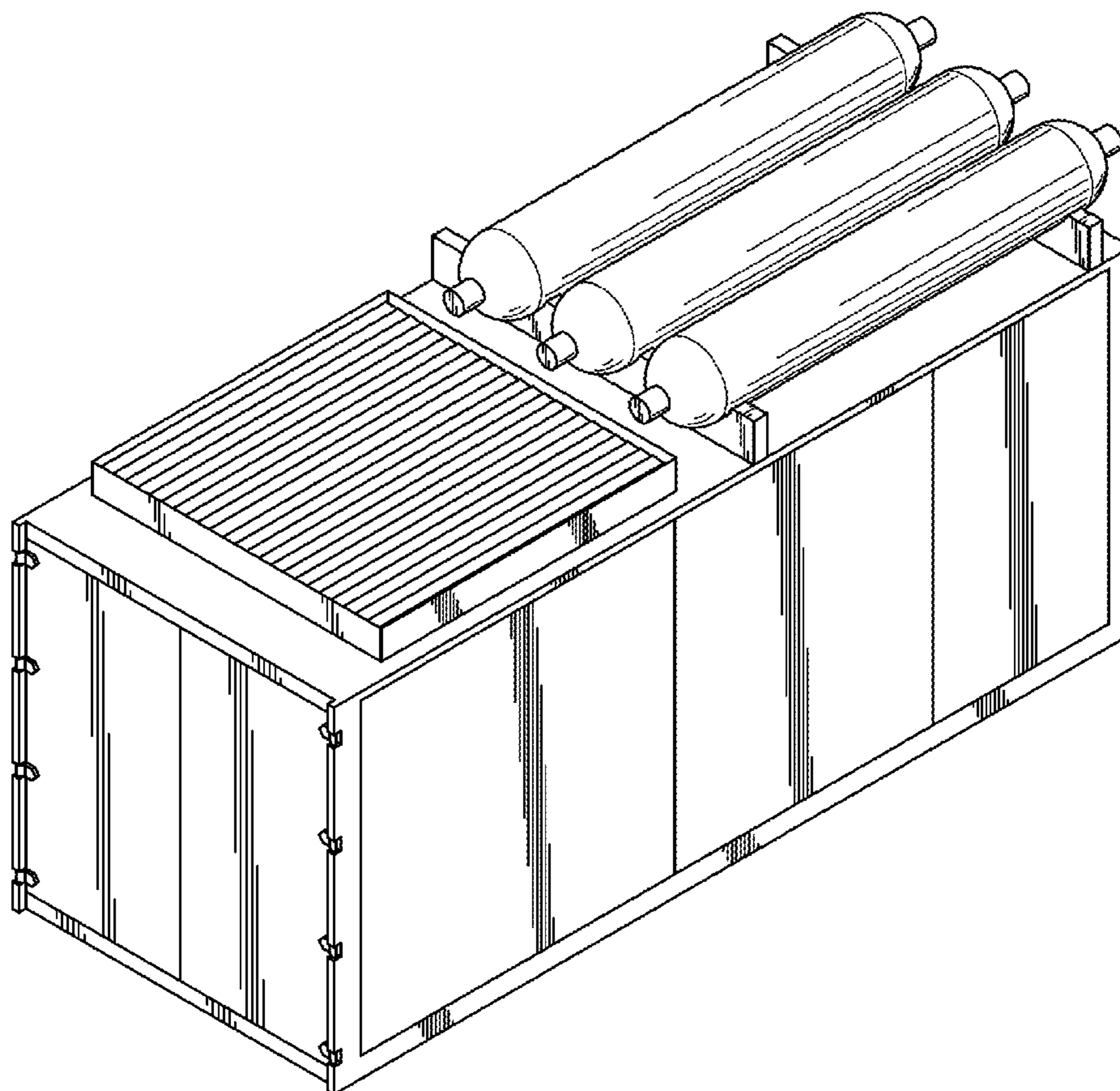
(57) **CLAIM**

We claim the ornamental design for the modular compressed natural gas system, as shown and described.

DESCRIPTION

FIG. 1 is a perspective view of the front, top, and right side of the modular compressed natural gas system showing an embodiment of the design of our invention; and, FIG. 2 is a perspective view of the front, top, and left side of the modular compressed natural gas system of FIG. 1.

1 Claim, 2 Drawing Sheets



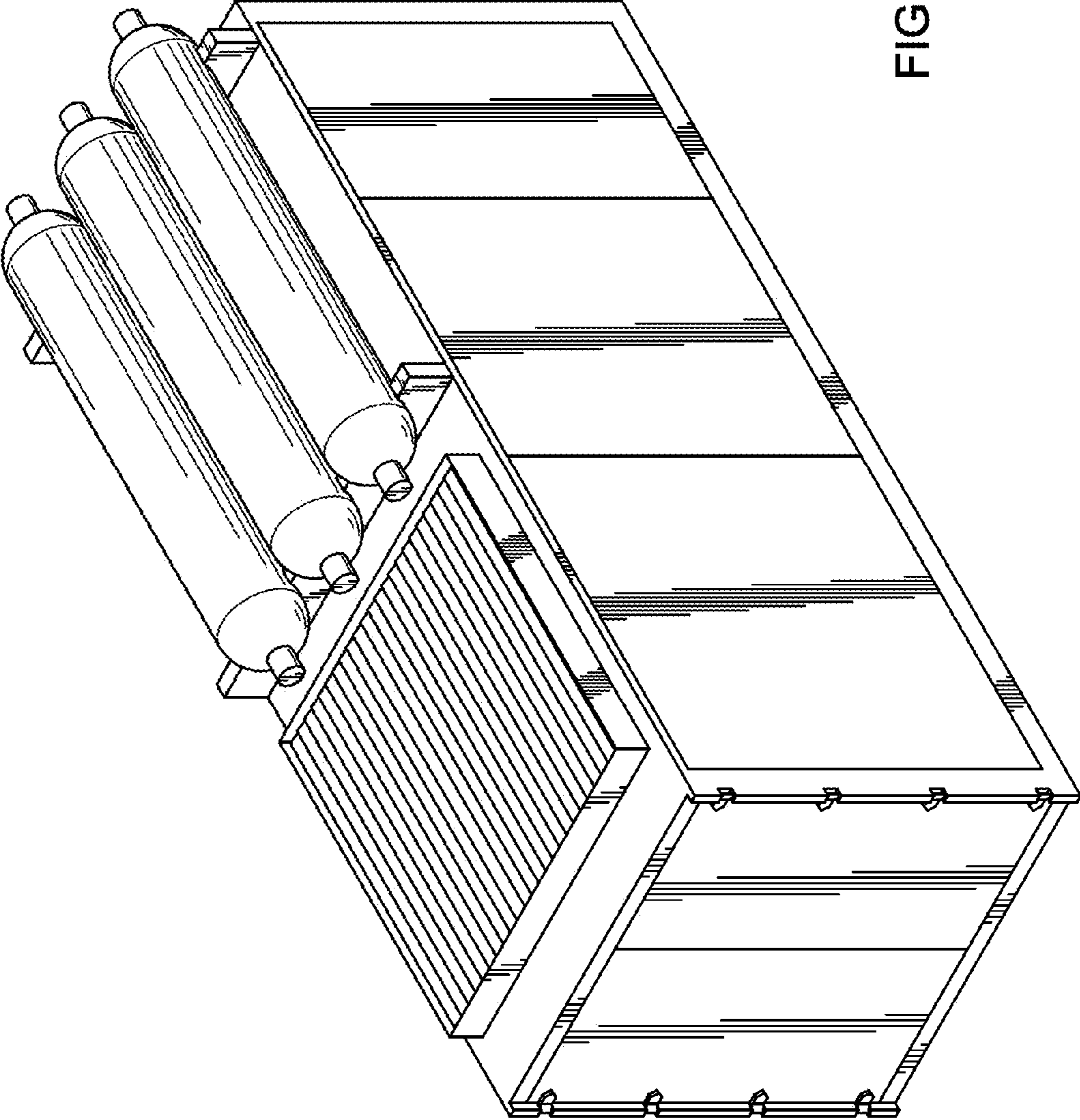


FIG. 1

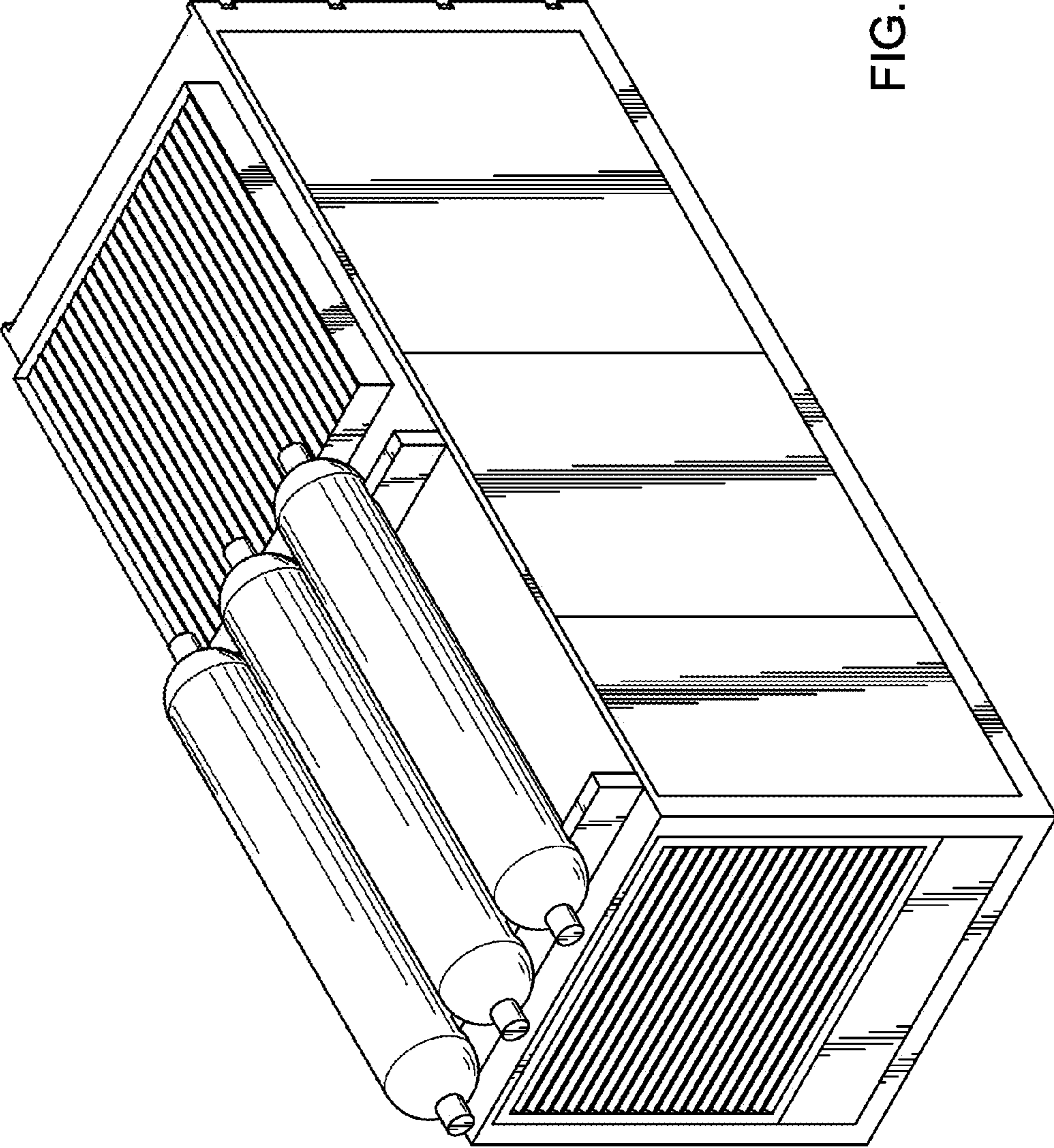


FIG. 2