



US00D681058S

(12) **United States Design Patent**  
**Yamamoto et al.**

(10) **Patent No.:** **US D681,058 S**  
(45) **Date of Patent:** **\*\* Apr. 30, 2013**

(54) **MOTOR STATOR**

(75) Inventors: **Masami Yamamoto**, Chiba (JP);  
**Kenichi Kudo**, Chiba (JP)

(73) Assignee: **SEIKO Precision Inc.** (JP)

(\*\*) Term: **14 Years**

(21) Appl. No.: **29/424,565**

(22) Filed: **Jun. 13, 2012**

(30) **Foreign Application Priority Data**

Dec. 15, 2011 (JP) ..... 2011-029173

(51) **LOC (9) Cl.** ..... **15-01**

(52) **U.S. Cl.**  
USPC ..... **D15/5; D13/118**

(58) **Field of Classification Search** ..... D15/1-5;  
D13/118, 114, 122, 199; 310/267, 268; 336/192,  
336/198, 200, 208

See application file for complete search history.

(56) **References Cited**

**U.S. PATENT DOCUMENTS**

D530,344 S \* 10/2006 Maita et al. .... D15/5  
D599,824 S \* 9/2009 Chang ..... D15/5  
D650,333 S \* 12/2011 Su ..... D13/122  
D653,618 S \* 2/2012 Qin et al. .... D13/118

D655,722 S \* 3/2012 Kim et al. .... D15/5  
2003/0020356 A1 \* 1/2003 Horng et al. .... 310/216  
2006/0055279 A1 \* 3/2006 Zhan ..... 310/257

\* cited by examiner

*Primary Examiner* — T. Chase Nelson

*Assistant Examiner* — Ania Aman

(74) *Attorney, Agent, or Firm* — SAIDMAN DesignLaw  
Group

(57) **CLAIM**

The ornamental design for a motor stator, as shown and  
described.

**DESCRIPTION**

FIG. 1 is a perspective view of a motor stator;  
FIG. 2 is a perspective view thereof showing the opposite  
side;  
FIG. 3 is a front view thereof;  
FIG. 4 is a rear view thereof;  
FIG. 5 is a left side view thereof;  
FIG. 6 is a right side view thereof;  
FIG. 7 is a top plan view thereof;  
FIG. 8 is a bottom plan view thereof; and,  
FIG. 9 is a sectional view taken at line 9-9 in FIG. 5.  
The broken lines showing on the drawing disclosure are for  
illustrative purposes only and form no part of the claimed  
design. The dot-dashed lines indicate the boundary between  
the claimed portion and unclaimed portion.

**1 Claim, 5 Drawing Sheets**

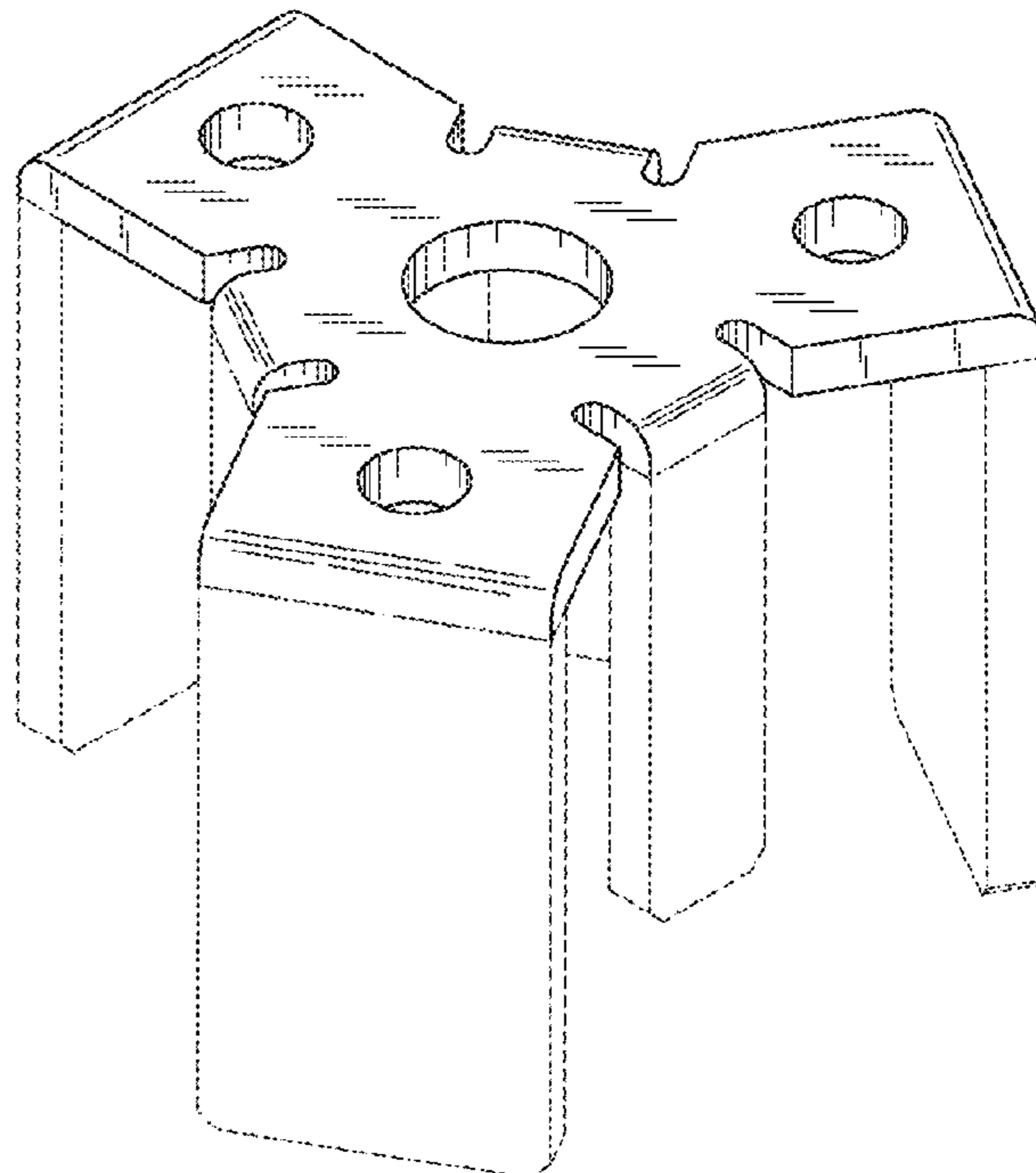


Fig. 1

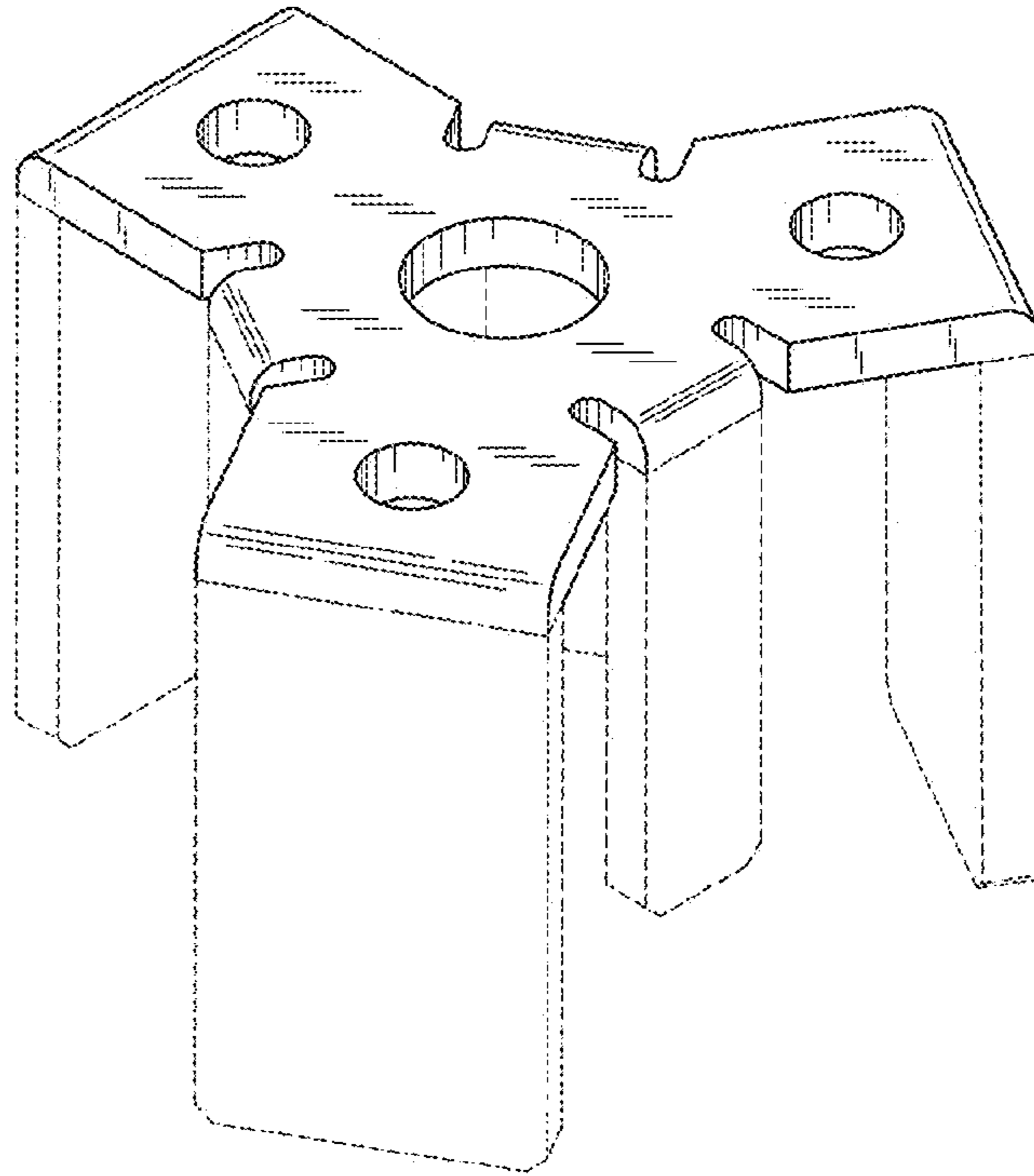


Fig. 2

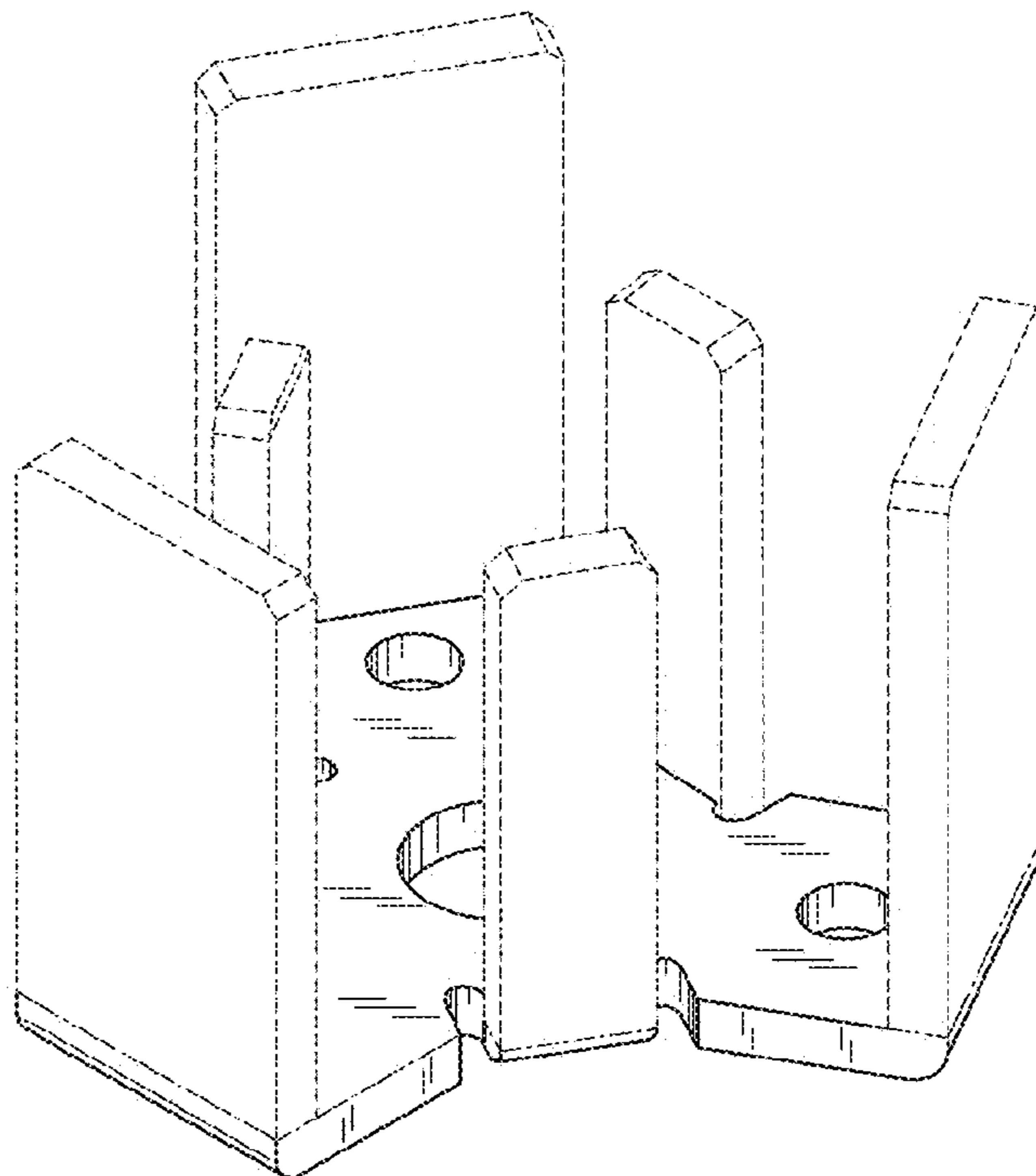


Fig.3

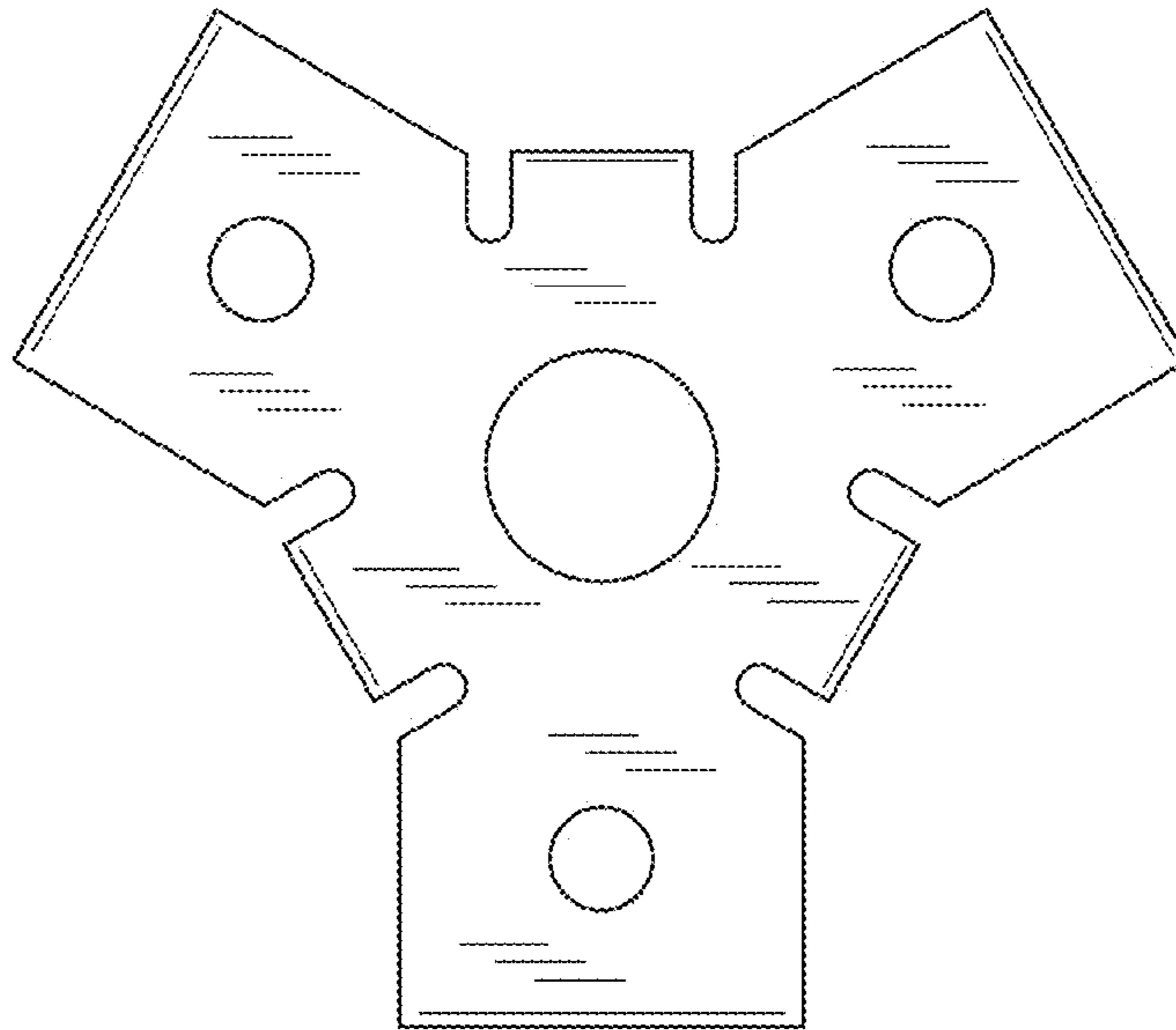


Fig.4

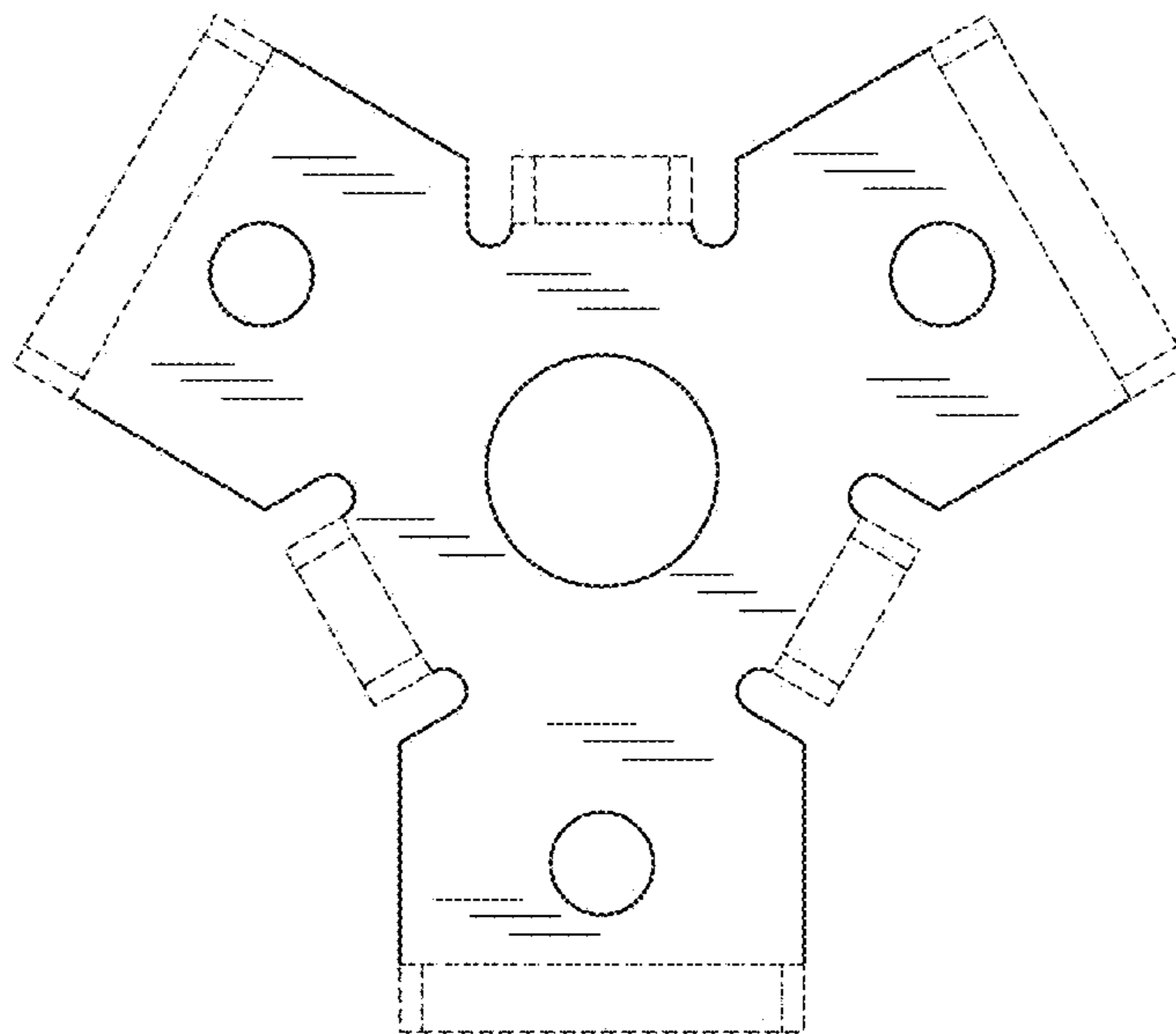


Fig.5

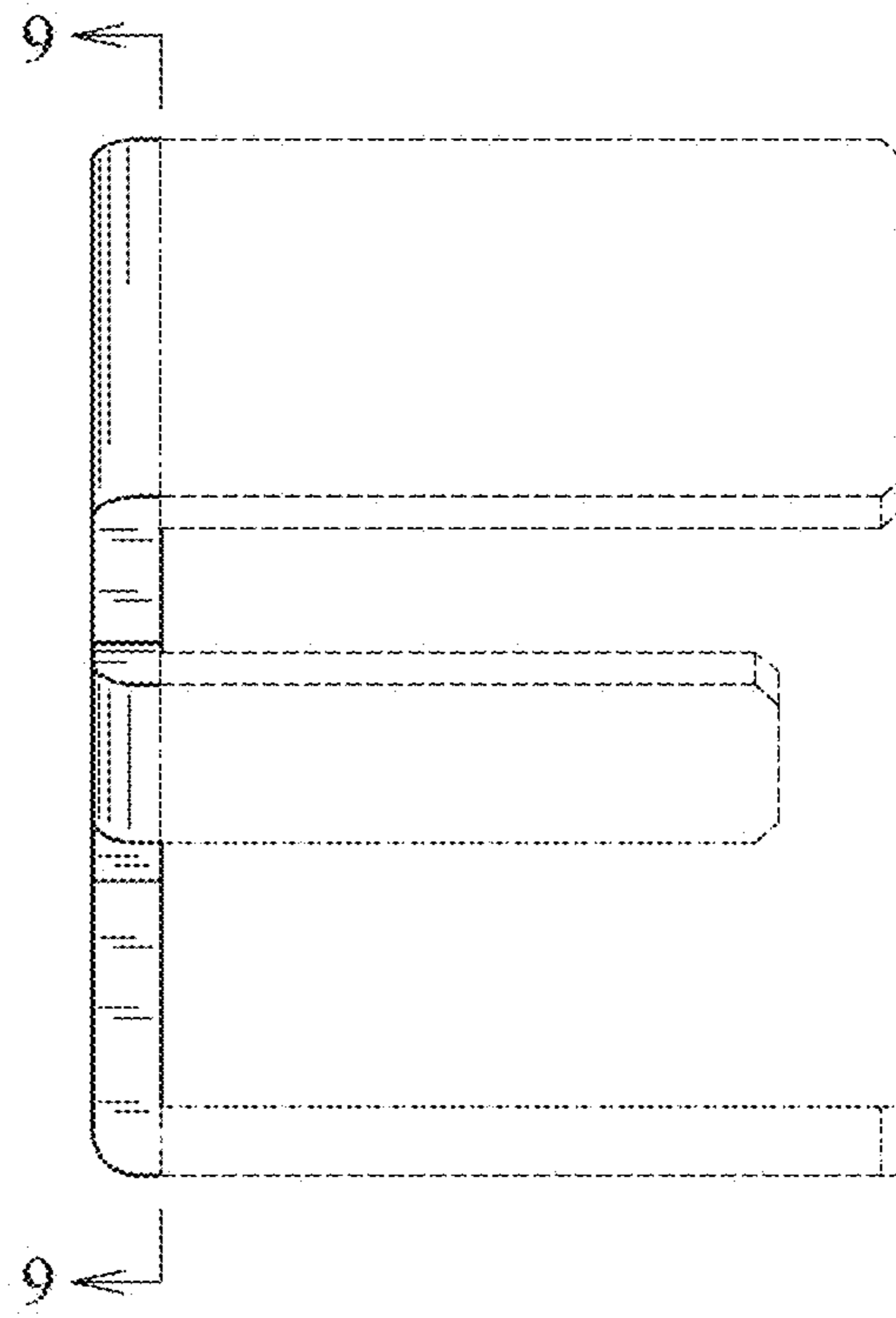


Fig.6

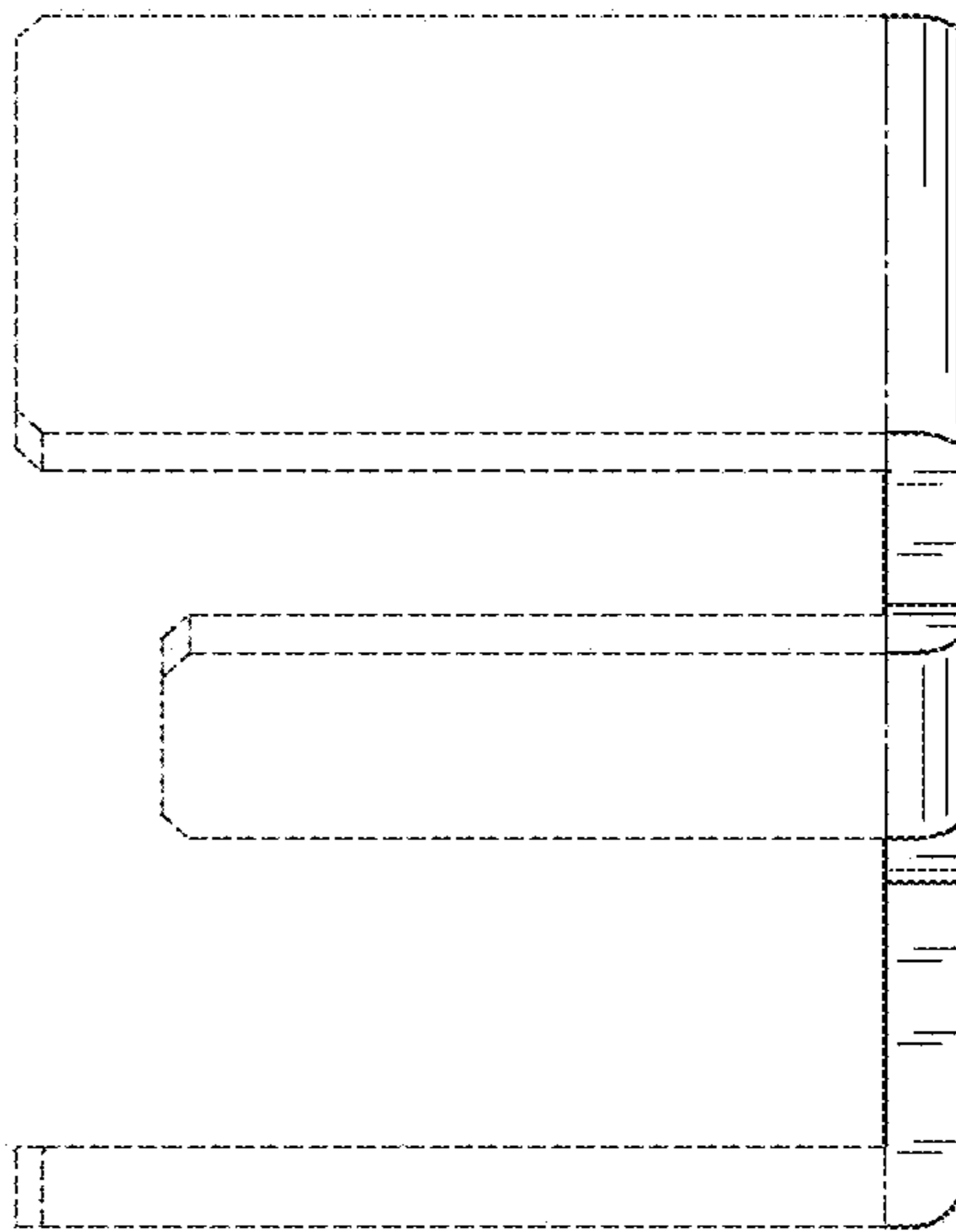


Fig.7

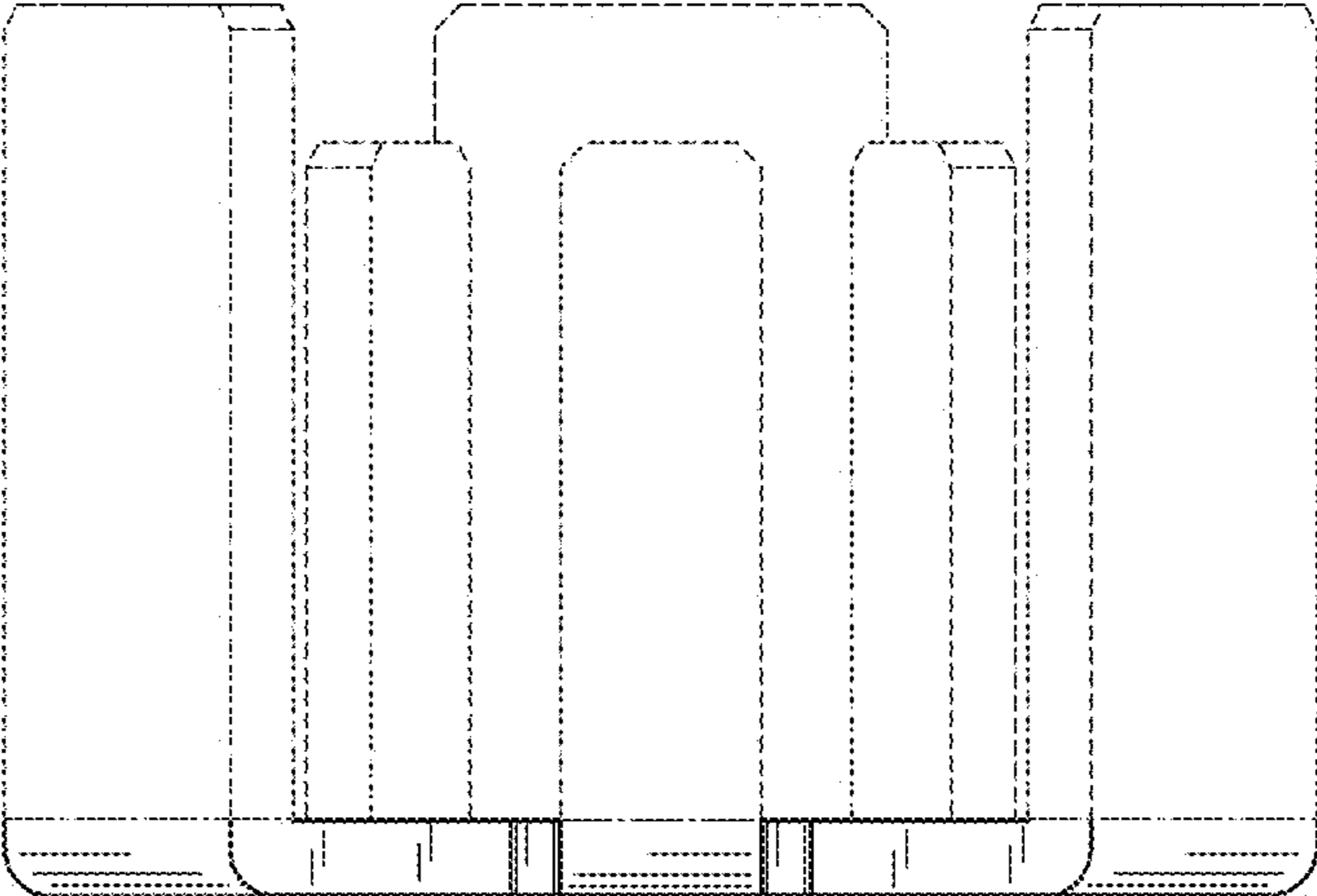


Fig.8

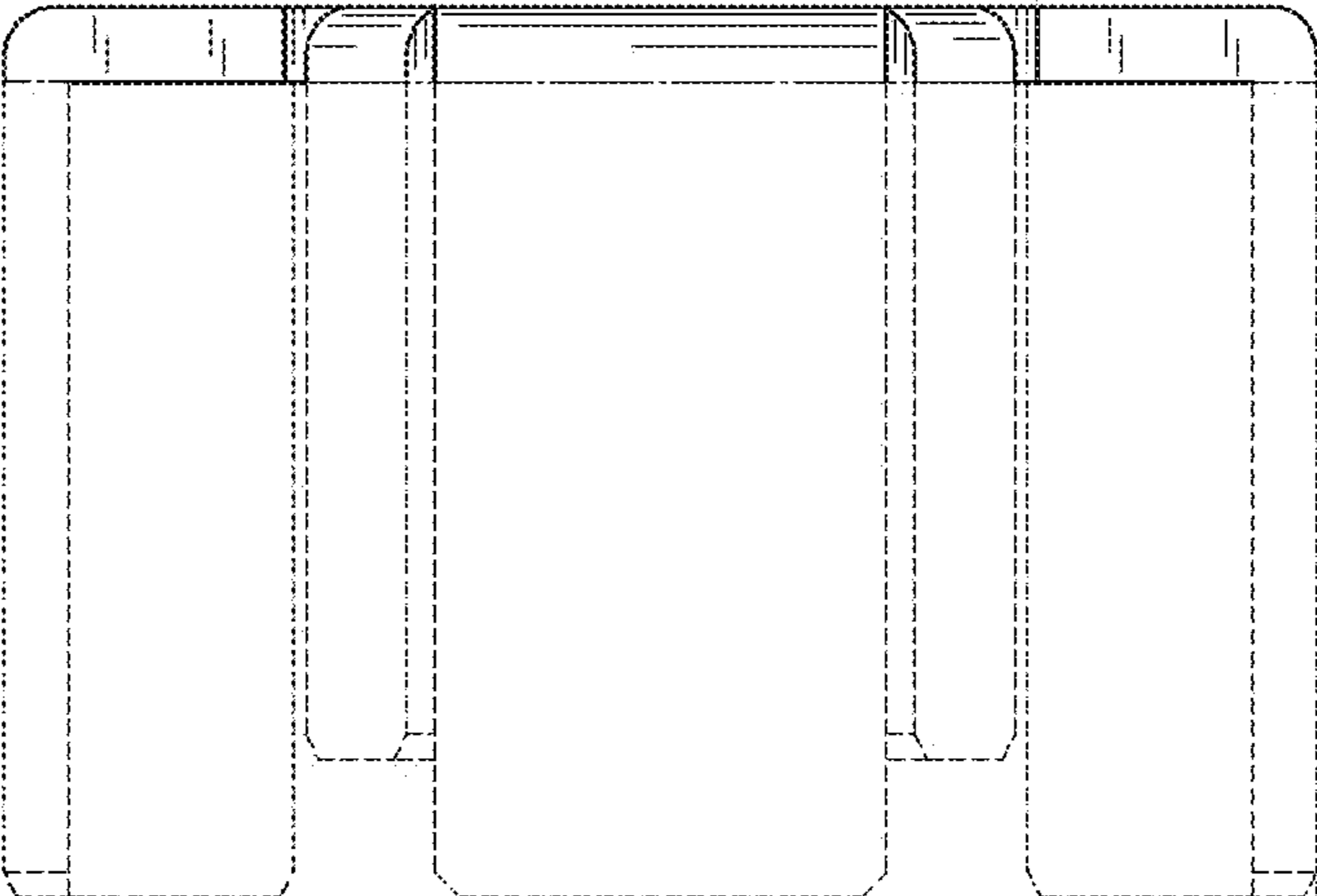


Fig.9

