



US00D681057S

(12) **United States Design Patent**
Hall

(10) **Patent No.:** **US D681,057 S**

(45) **Date of Patent:** **** Apr. 30, 2013**

(54) **FUEL CONTROL APPARATUS**

(75) Inventor: **Roger Hall**, Marysville, WA (US)

(73) Assignee: **Precision Airmotive LLC**, Marysville, WA (US)

(**) Term: **14 Years**

(21) Appl. No.: **29/424,443**

(22) Filed: **Jun. 12, 2012**

(51) **LOC (9) Cl.** **15-01**

(52) **U.S. Cl.**
USPC **D15/5**

(58) **Field of Classification Search** D15/1-6;
123/457, 445, 454

See application file for complete search history.

(56) **References Cited**

U.S. PATENT DOCUMENTS

6,631,705 B1 * 10/2003 Rivera 123/454

* cited by examiner

Primary Examiner — T. Chase Nelson

Assistant Examiner — Ania Aman

(74) *Attorney, Agent, or Firm* — Priya Sinha Cloutier

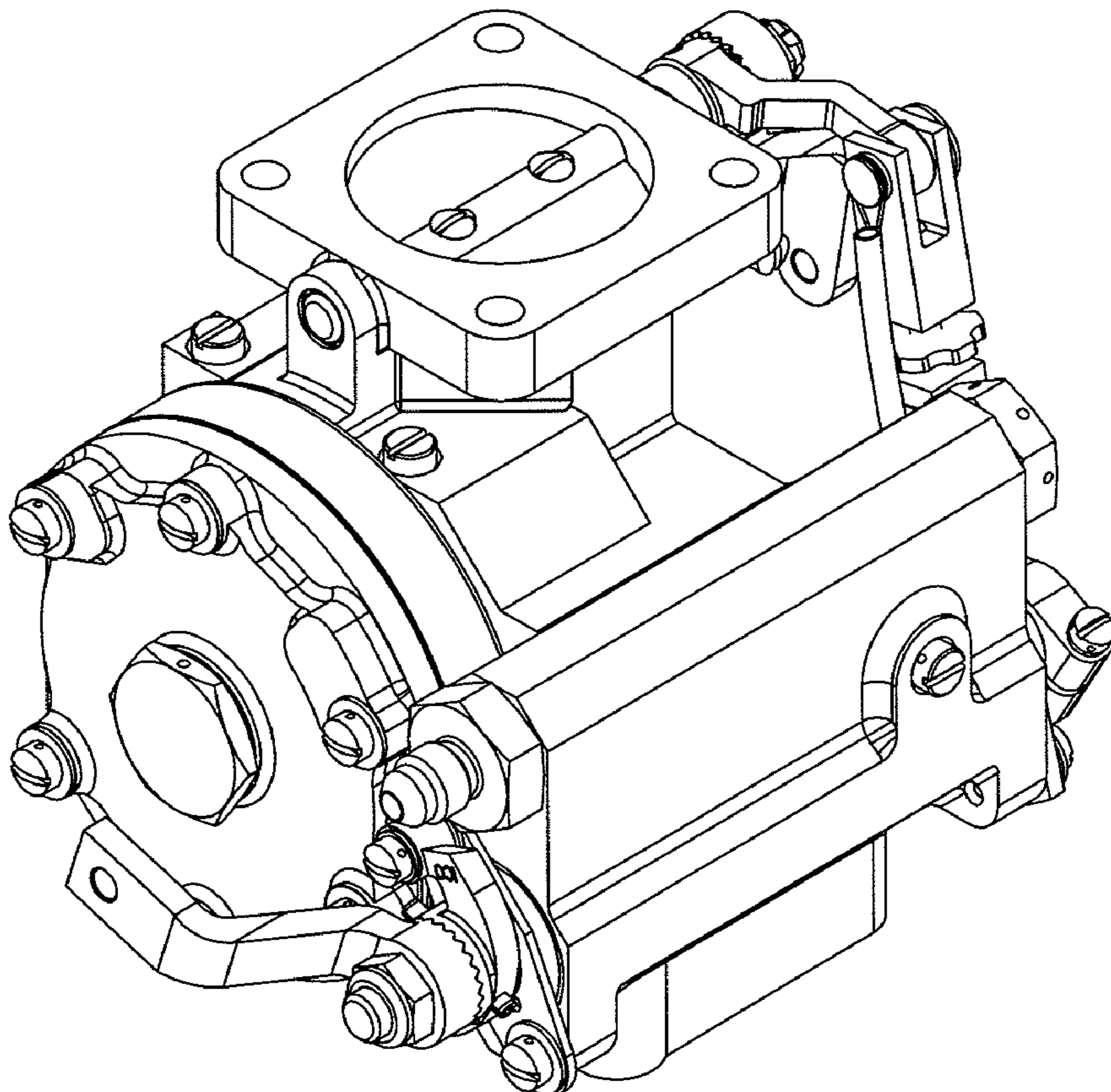
(57) **CLAIM**

I claim the ornamental design for a fuel control apparatus, as shown and described.

DESCRIPTION

FIG. 1 is a bottom view of the present invention;
FIG. 2 is a left side view of the present invention;
FIG. 3 is a right side view of the present invention;
FIG. 4 is a top view of the present invention;
FIG. 5 is a back view of the present invention;
FIG. 6 is a front view of the present invention; and,
FIG. 7 is a front perspective view of the present invention.
The broken lines shown in the drawings are for the purpose of illustrating portions of the article that form no part of the claimed design.

1 Claim, 7 Drawing Sheets



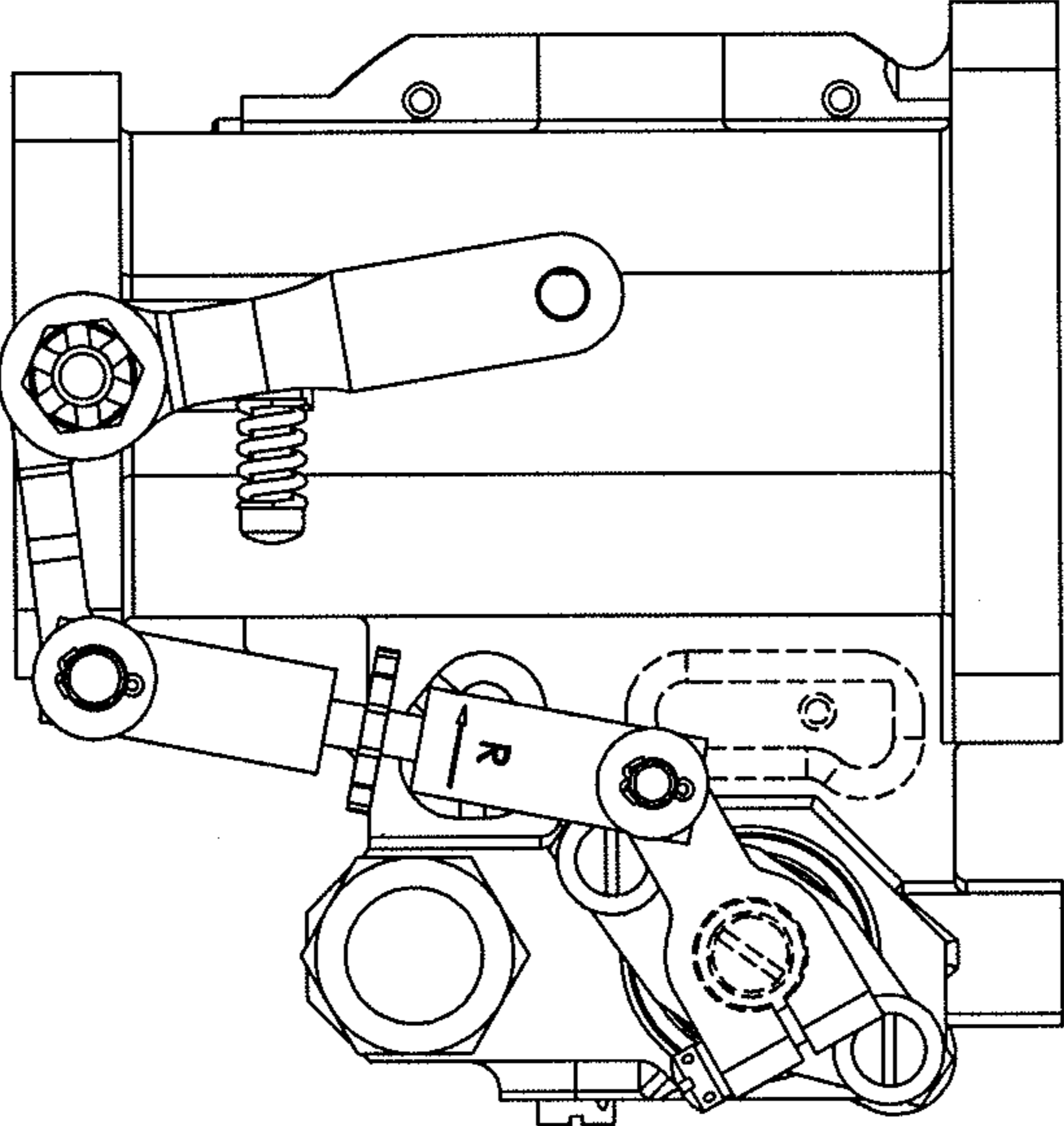


FIG.1

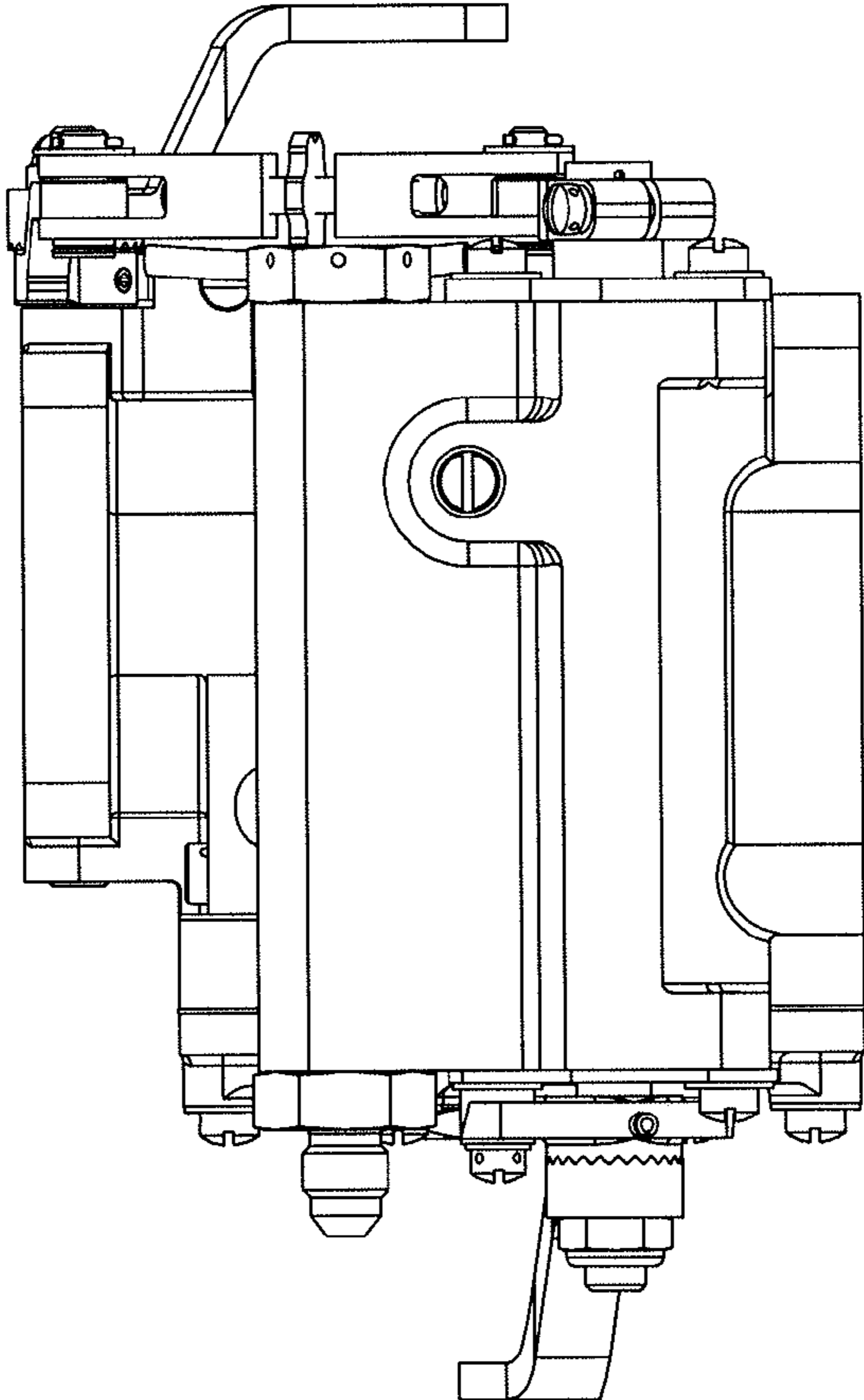


FIG.2

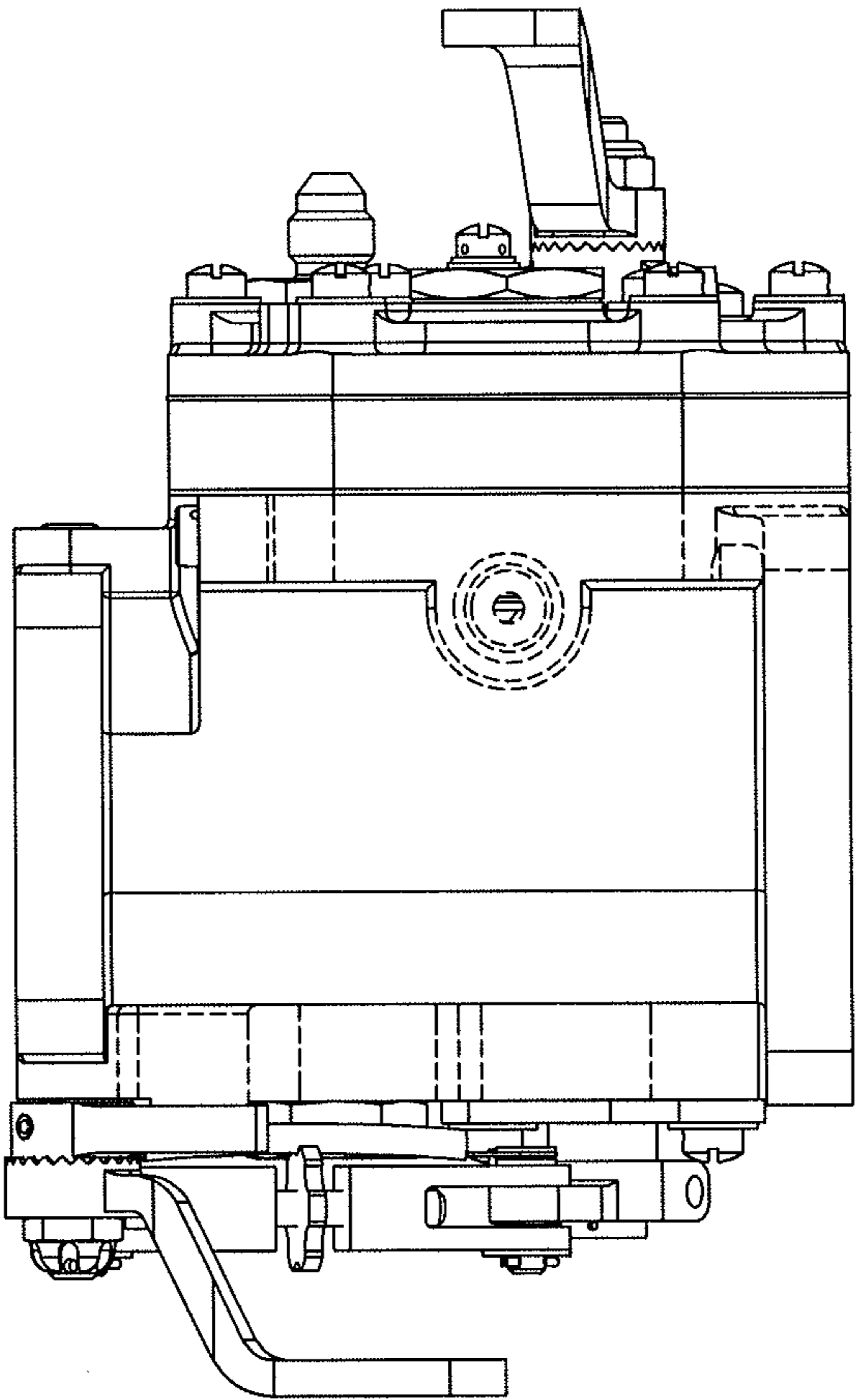


FIG.3

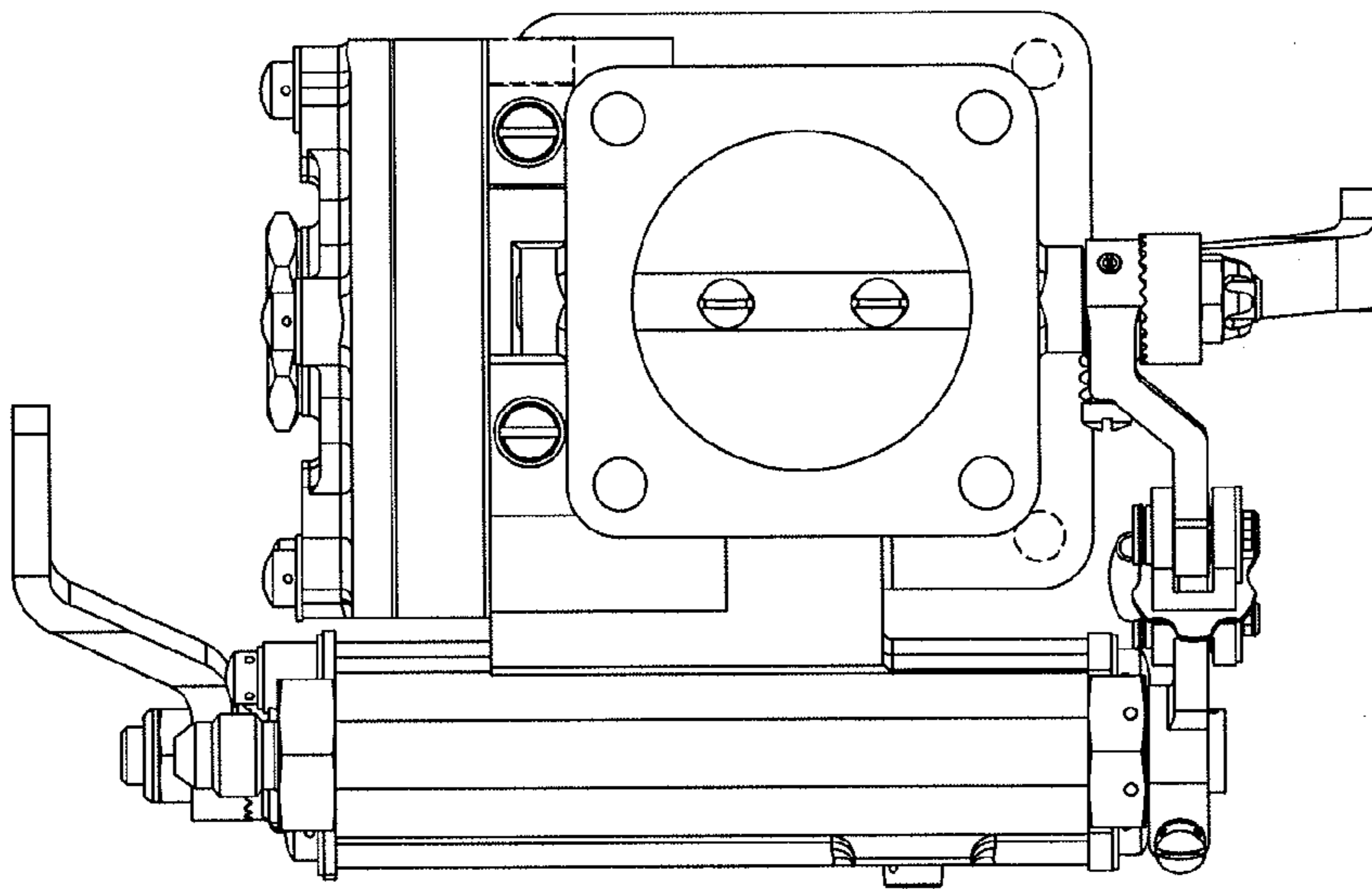


FIG.4

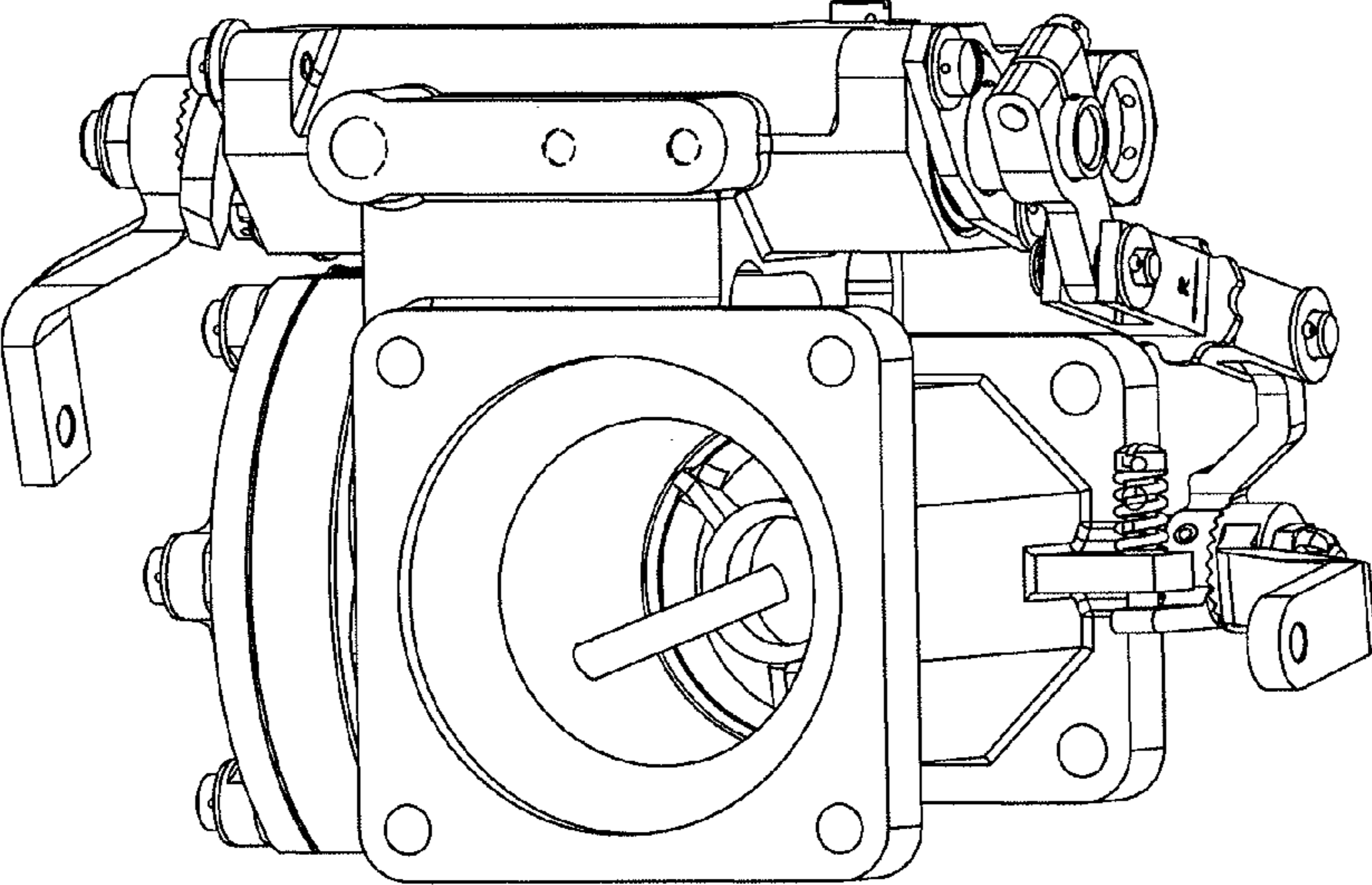


FIG. 5

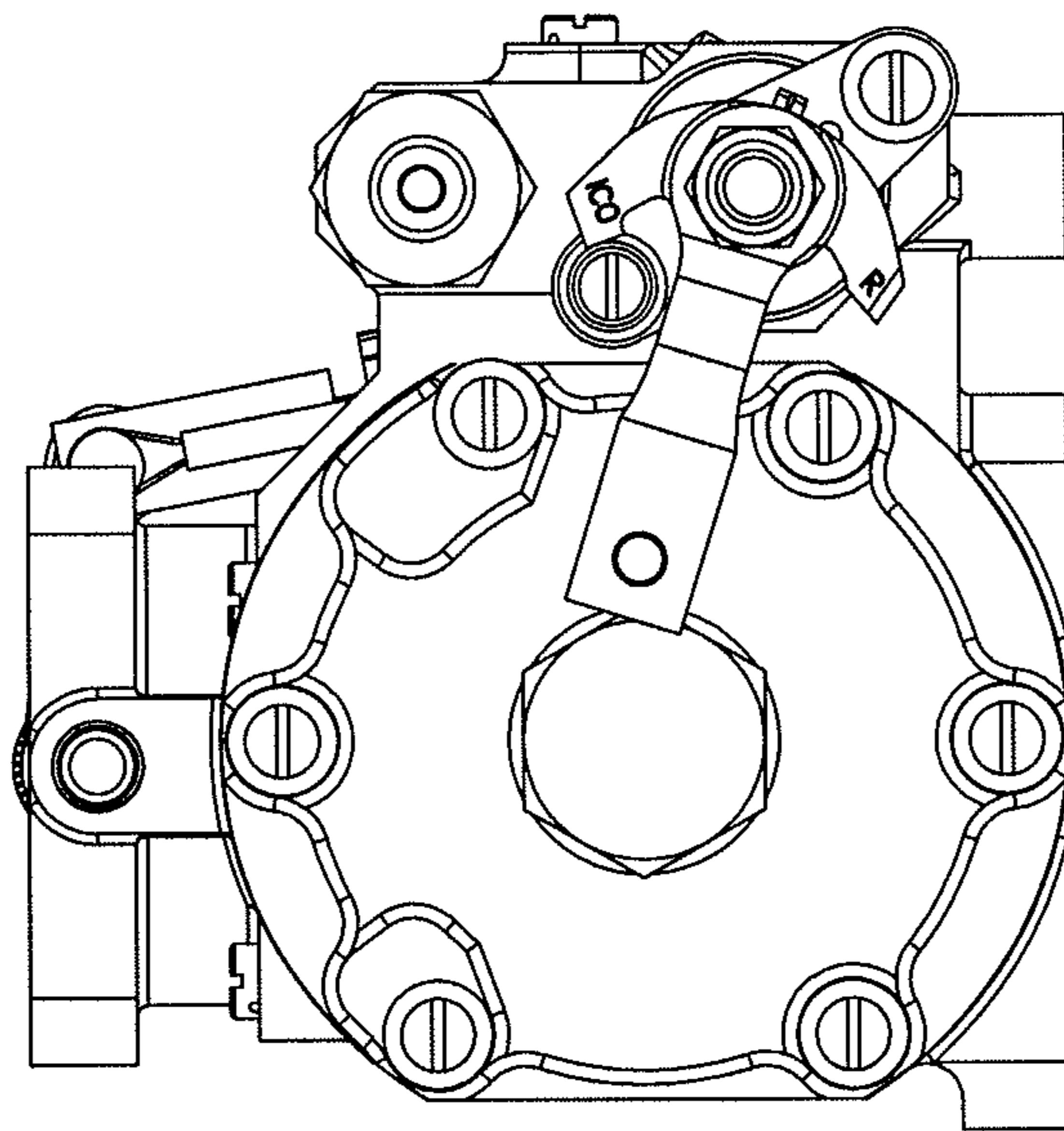


FIG. 6

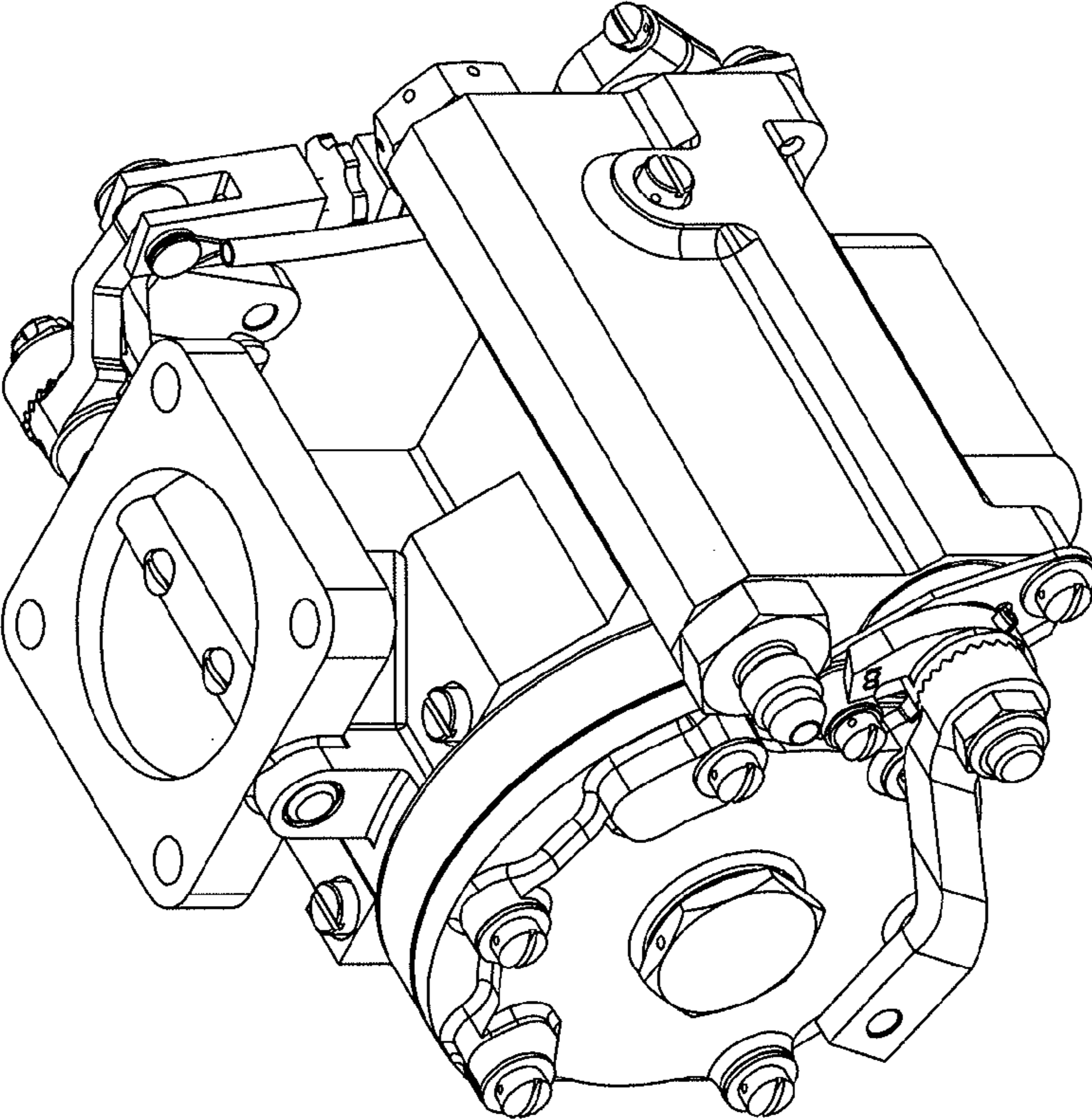


FIG.7