



US00D681056S

(12) **United States Design Patent**
Akana et al.

(10) **Patent No.:** **US D681,056 S**
(45) **Date of Patent:** **** Apr. 30, 2013**

(54) **ELECTRONIC DEVICE**

(75) Inventors: **Jody Akana**, San Francisco, CA (US);
Bartley K. Andre, Menlo Park, AZ
(US); **Jeremy Bataillou**, San Francisco,
CA (US); **Daniel J. Coster**, San
Francisco, CA (US); **Daniele De Iuliis**,
San Francisco, CA (US); **M. Evans**
Hankey, San Francisco, CA (US);
Julian Hoenig, San Francisco, CA (US);
Richard P. Howarth, San Francisco, CA
(US); **Jonathan P. Ive**, San Francisco,
CA (US); **Duncan Robert Kerr**, San
Francisco, CA (US); **Shin Nishibori**,
Kailua, HI (US); **Matthew Dean**
Rohrbach, San Francisco, CA (US);
Peter Russell-Clarke, San Francisco,
CA (US); **Mikael Silvanto**, San
Francisco, CA (US); **Christopher J.**
Stringer, Woodside, CA (US); **Eugene**
Antony Whang, San Francisco, CA
(US); **Rico Zorkendorfer**, San
Francisco, CA (US)

(73) Assignee: **Apple Inc.**, Cupertino, CA (US)

(**) Term: **14 Years**

(21) Appl. No.: **29/431,569**

(22) Filed: **Sep. 9, 2012**

(51) **LOC (9) Cl.** **14-03**

(52) **U.S. Cl.**
USPC **D14/496; D14/203.3**

(58) **Field of Classification Search** D14/341-347,
D14/137, 138, 138.1, 138 AA, 138 R, 138 AB,
D14/138 AD, 138 G, 138 A, 496, 426, 429,
D14/129, 130, 420, 439-441, 448, 125, 147,
D14/156, 218, 250, 389, 336, 203.1, 203.3,
D14/203.4, 203.7, 315; D21/324, 329, 330;
D10/65, 104; D18/6-7; 345/169, 901, 905,
345/156, 157, 168, 173; 361/814, 680, 686,
361/679.27, 679.3; 341/22; 348/168; 379/433.04,
379/433.07, 433.11, 916, 433.01, 433.06

See application file for complete search history.

(56) **References Cited**

U.S. PATENT DOCUMENTS

4,165,554 A 8/1979 Faget
D270,062 S * 8/1983 Ackeret D6/308

(Continued)

FOREIGN PATENT DOCUMENTS

CN 3513646 3/2006
CN 3543434 7/2006

(Continued)

OTHER PUBLICATIONS

Saytes, "Saytes: Tecnologia sumergible," Saytes.es, accessed at
http://www.saytes.es/product_info.php?products_id=494,
retrieved Feb. 18, 2009, 1 page.

Primary Examiner — Barbara Fox

(74) *Attorney, Agent, or Firm* — Sterne, Kessler, Goldstein
& Fox PLLC

(57) **CLAIM**

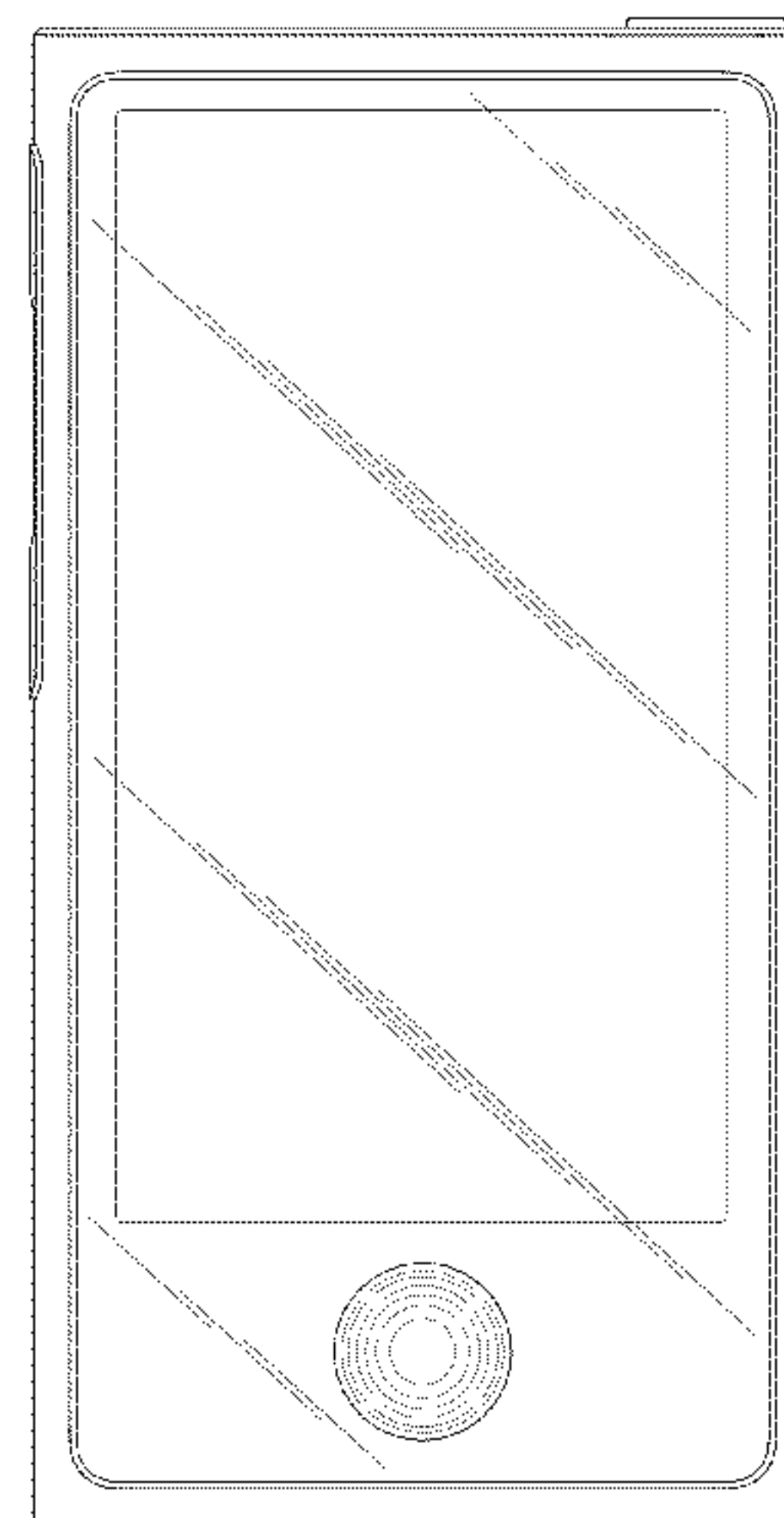
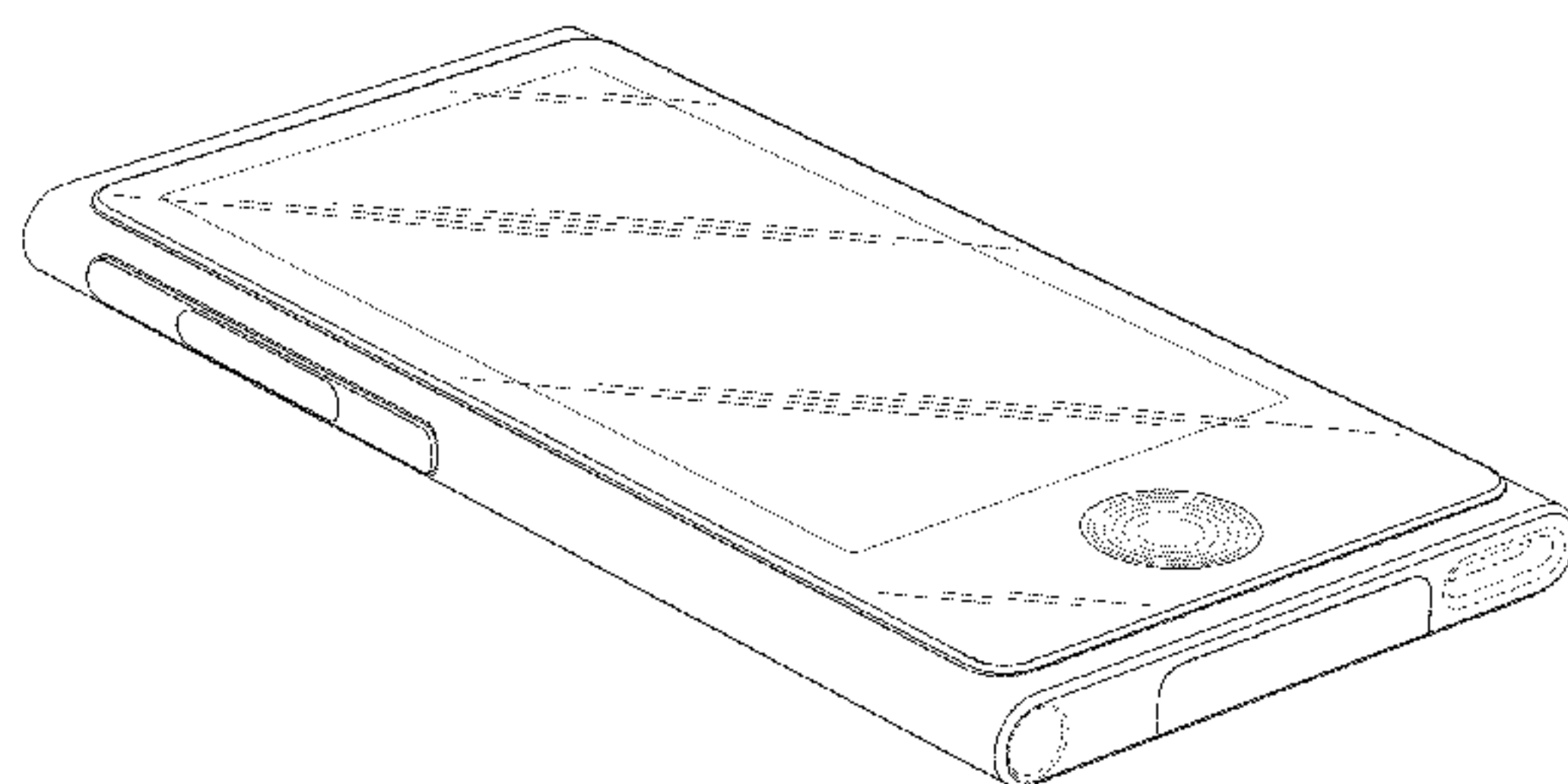
The ornamental design for an electronic device, as shown and
described.

DESCRIPTION

FIG. 1 is a bottom front perspective view of an electronic
device showing our new design;
FIG. 2 is a bottom rear perspective view thereof;
FIG. 3 is a top front perspective view thereof;
FIG. 4 is a top rear view thereof;
FIG. 5 is a front view thereof;
FIG. 6 is a rear view thereof;
FIG. 7 is a top view thereof;
FIG. 8 is a bottom view thereof;
FIG. 9 is a left side view thereof; and,
FIG. 10 is a right side view thereof.

The broken lines in the Figures show portions of the elec-
tronic device which form no part of the claimed design.
The curved shade lines in the Figures show contour. The
oblique shade lines show a transparent, reflective, or shiny
surface. Neither shade lines show surface ornamentation.

1 Claim, 6 Drawing Sheets



US D681,056 S

Page 2

U.S. PATENT DOCUMENTS

6,122,526 A 9/2000 Parulski et al.
D441,735 S 5/2001 Katayama
D503,409 S 3/2005 Wong et al.
D513,611 S 1/2006 Hibi
D516,579 S 3/2006 Nakamura
D539,814 S 4/2007 Andre et al.
D565,596 S 4/2008 Kim
D568,338 S * 5/2008 Andre et al. D14/496
D570,876 S 6/2008 Lee
D575,304 S 8/2008 Andre et al.
D588,610 S 3/2009 Andre et al.
D589,510 S 3/2009 Wada
D593,132 S * 5/2009 Kim D14/496
D595,339 S * 6/2009 Oas D18/7
D597,558 S * 8/2009 Andre et al. D14/496
D604,713 S 11/2009 Andre et al.
D611,470 S 3/2010 Andre et al.
D622,696 S * 8/2010 Akana et al. D14/203.7

D631,032 S * 1/2011 Lee D14/203.7
D631,458 S * 1/2011 Liao et al. D14/138 G
D634,317 S * 3/2011 Buckle et al. D14/341
D636,752 S * 4/2011 Liao et al. D14/138 G
D638,030 S 5/2011 Akana et al.
D652,403 S * 1/2012 Fahlgren et al. D14/138 G
D656,955 S 4/2012 Akana et al.
D658,621 S * 5/2012 Lylyk D14/138 G
D667,387 S * 9/2012 Andre et al. D14/203.7
D672,329 S * 12/2012 Fahlgren et al. D14/138 G
D672,336 S * 12/2012 Lister et al. D14/218
D672,741 S 12/2012 Lylyk
D673,926 S * 1/2013 Fahlgren et al. D14/138 G
D675,176 S * 1/2013 Aarras D14/138 G

FOREIGN PATENT DOCUMENTS

CN 3562517 9/2006
CN 300738882 1/2008

* cited by examiner

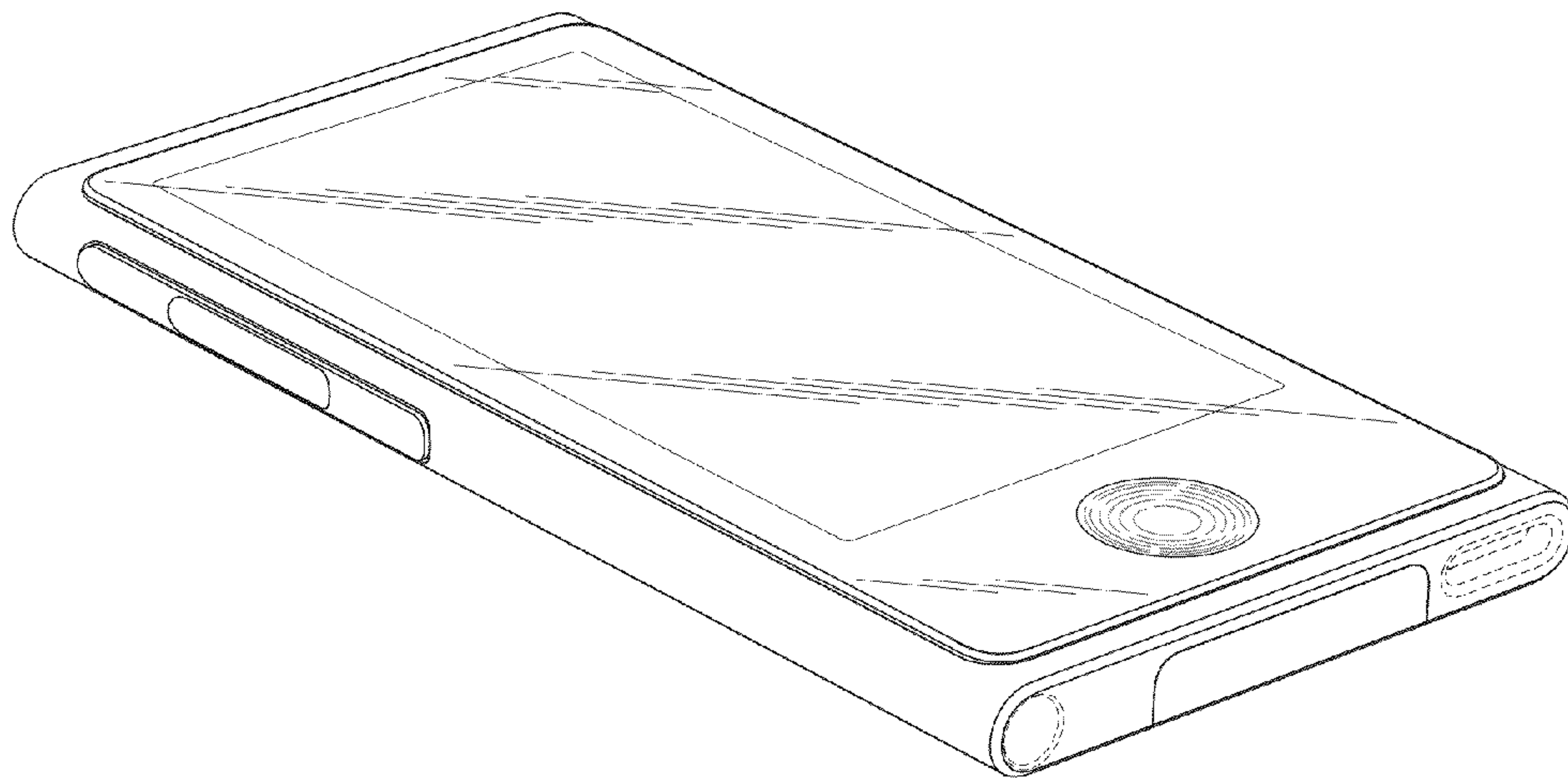


FIG. 1

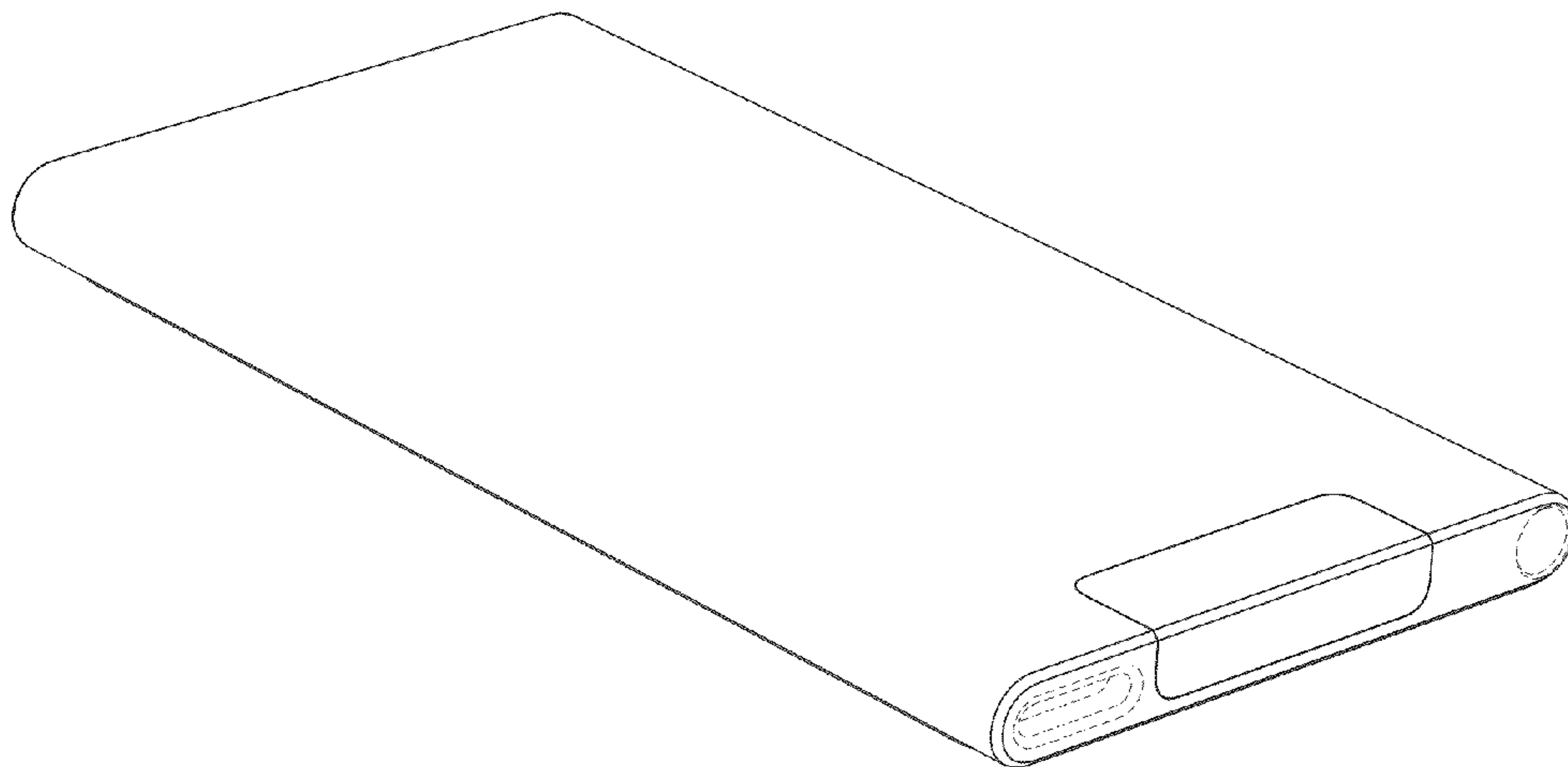


FIG. 2

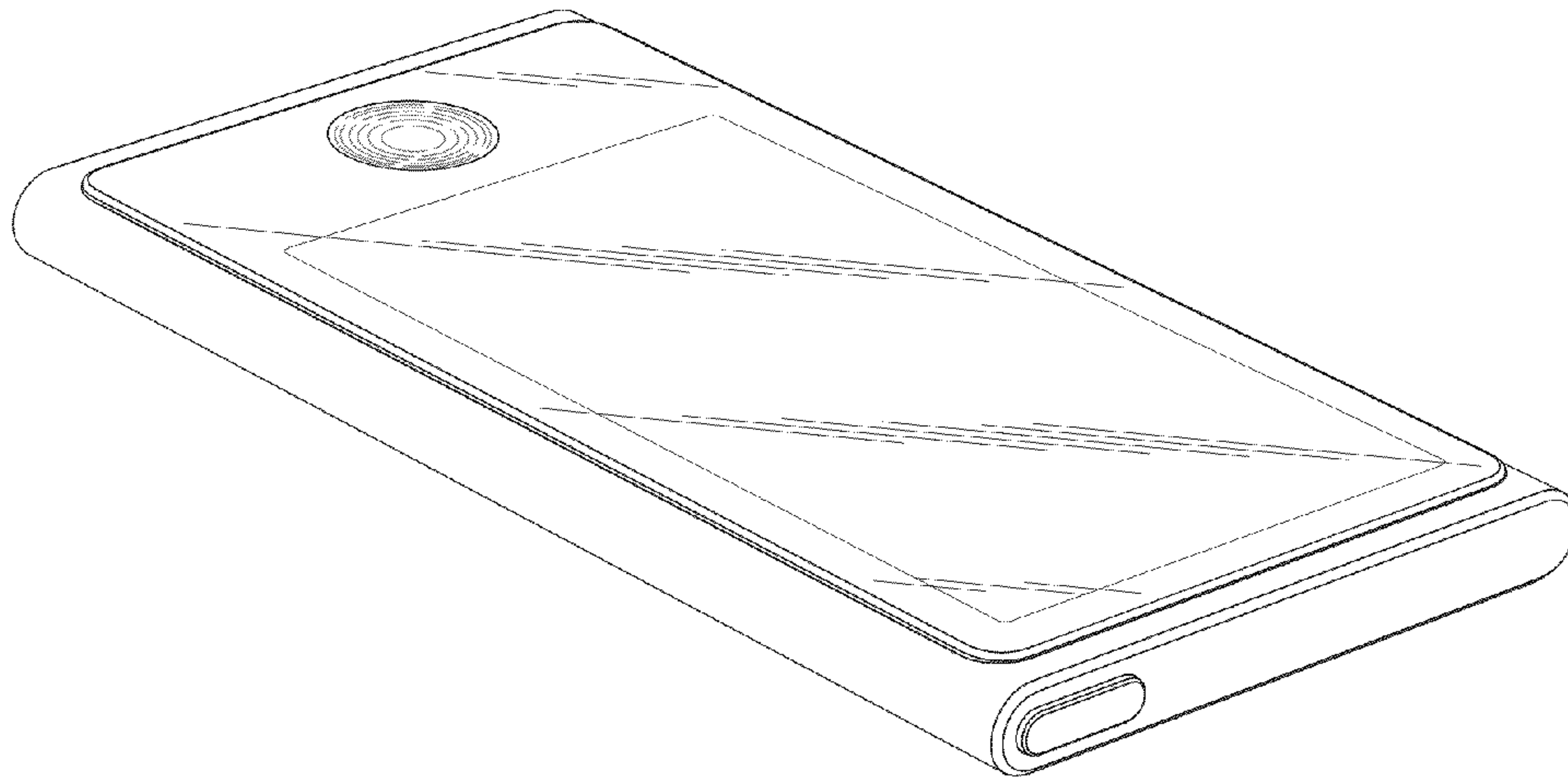


FIG. 3

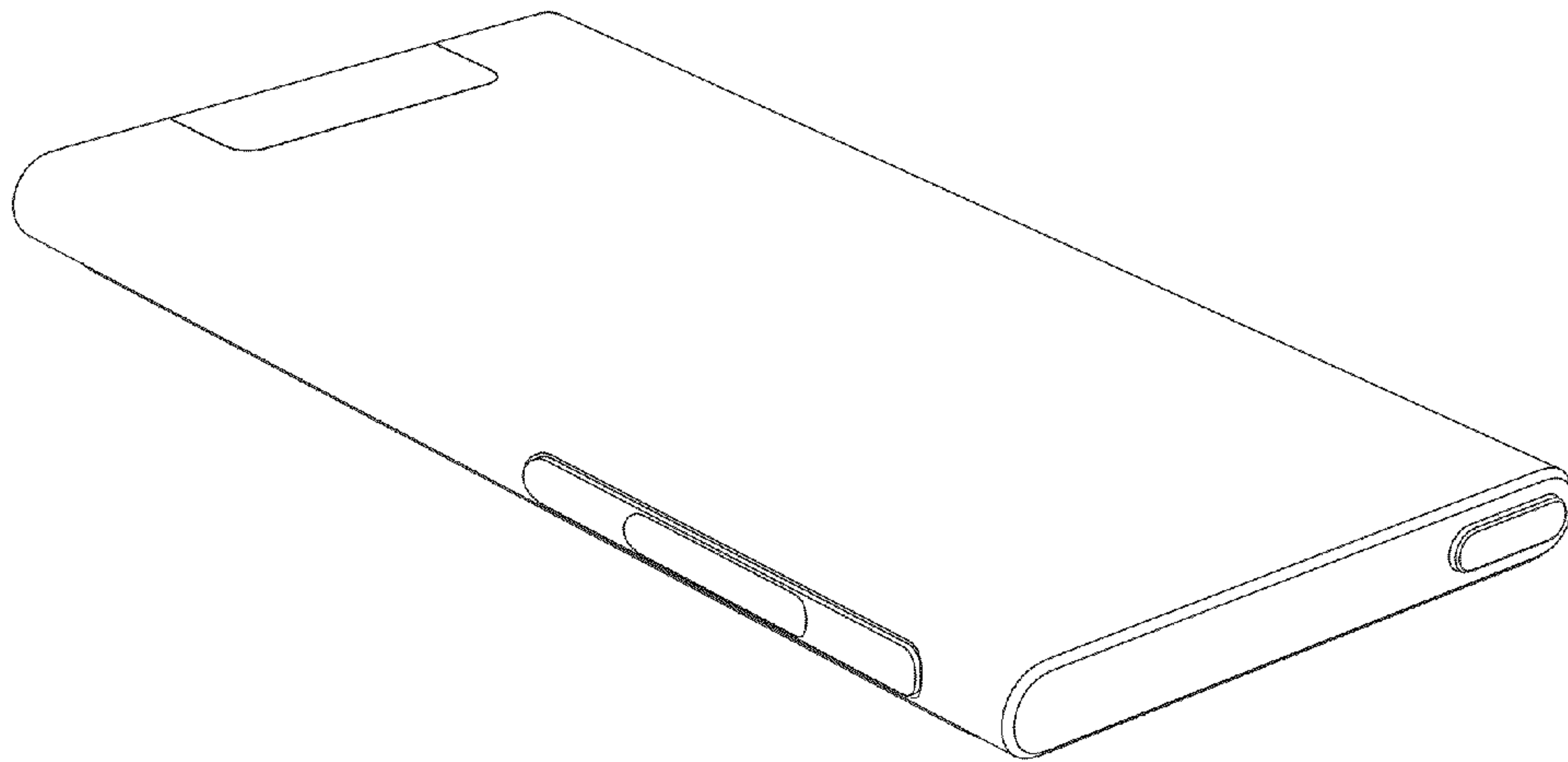


FIG. 4

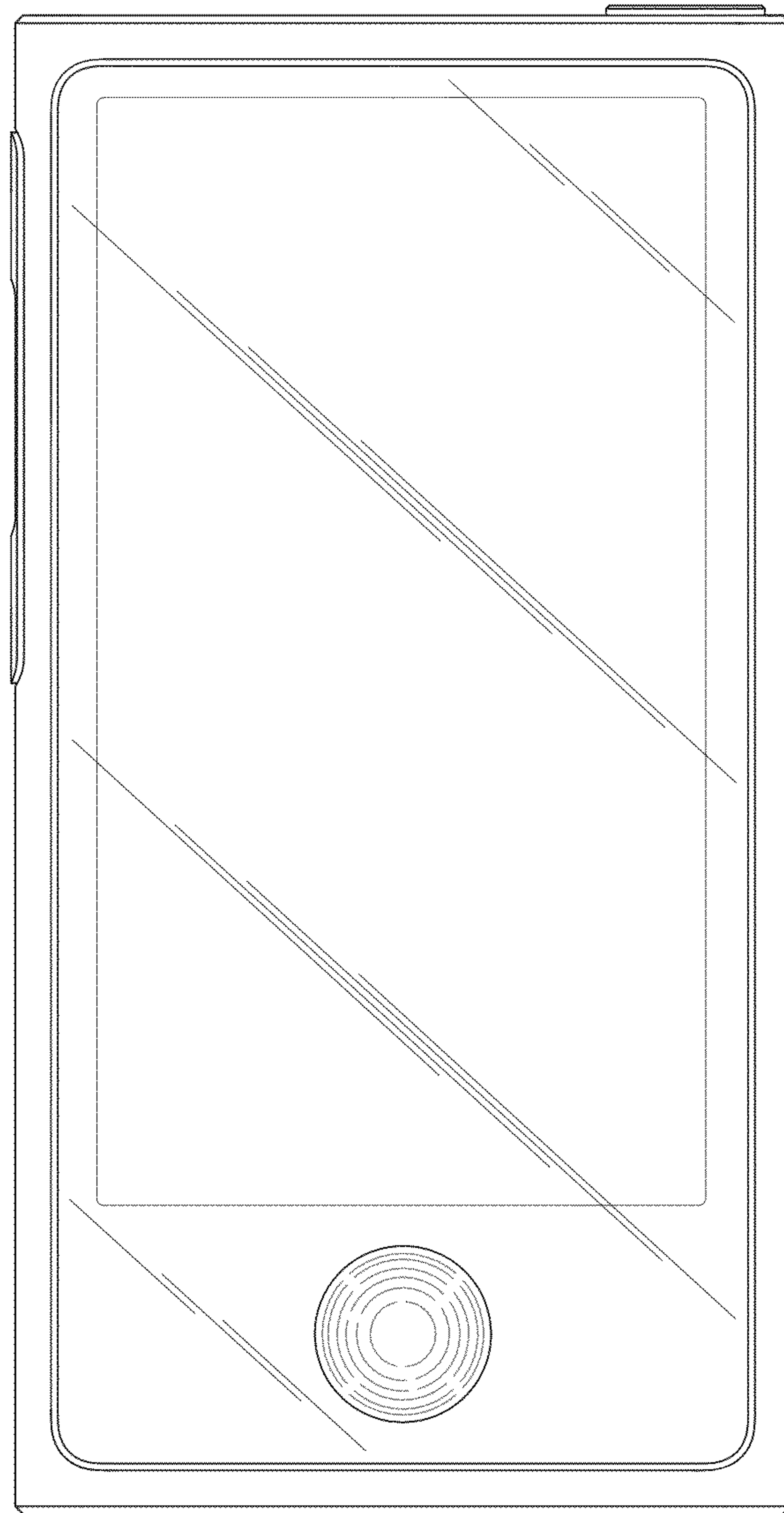


FIG. 5

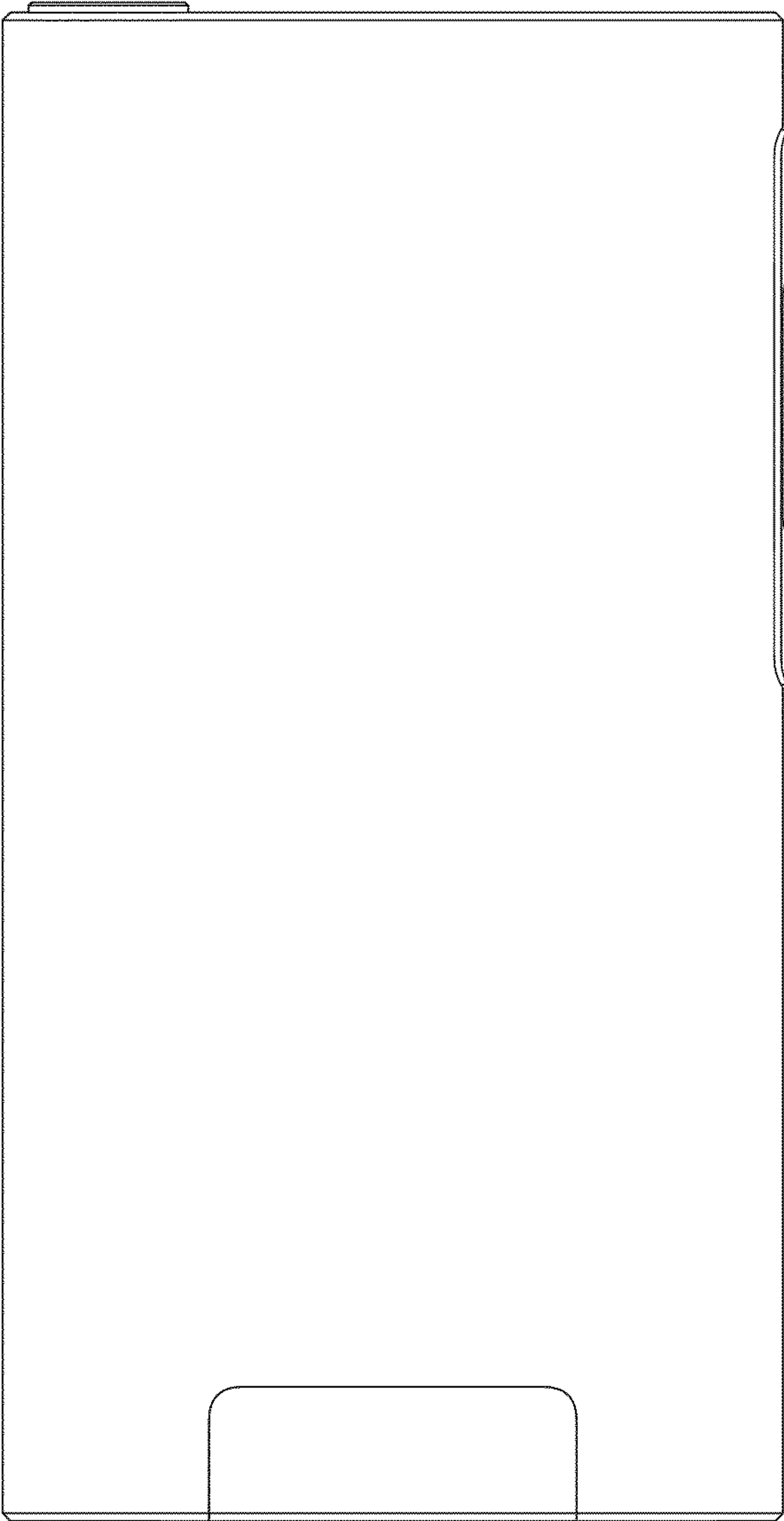


FIG. 6

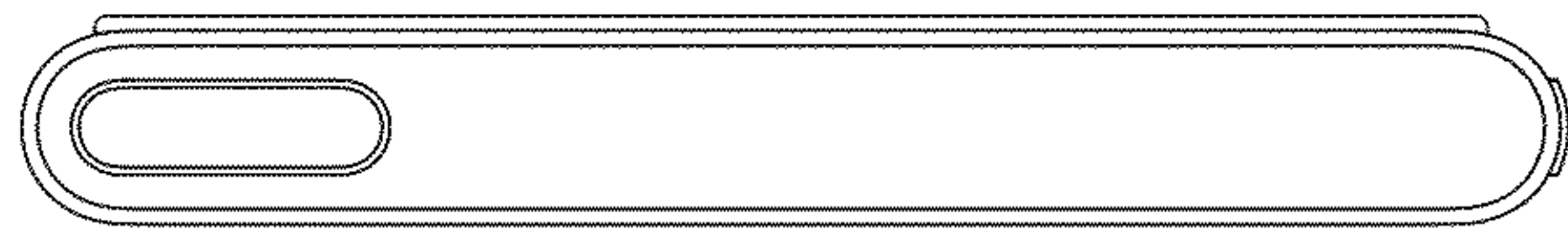


FIG. 7



FIG. 8

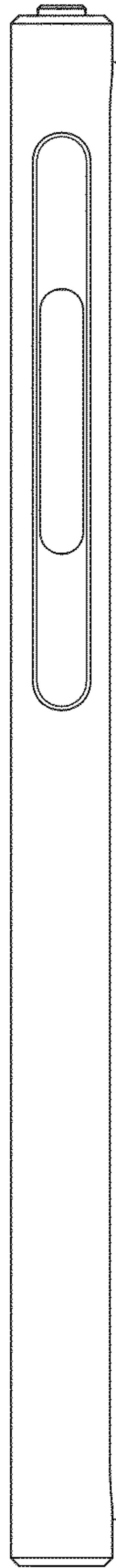


FIG. 9

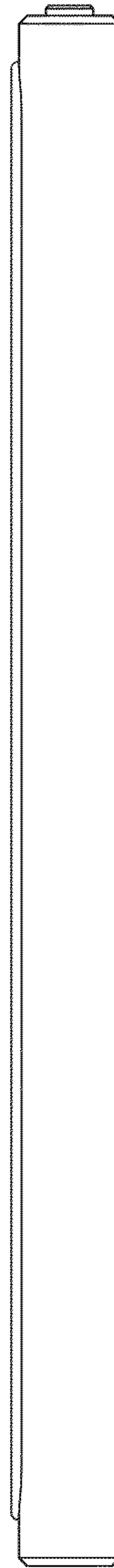


FIG. 10