



US00D681051S

(12) **United States Design Patent**
Asai et al.

(10) **Patent No.:** **US D681,051 S**
(45) **Date of Patent:** **** Apr. 30, 2013**

(54) **DISPLAY PANEL OR SCREEN WITH ANIMATED GRAPHICAL USER INTERFACE**

(75) Inventors: **Satoshi Asai**, Tokyo (JP); **Nobuki Furue**, Tokyo (JP); **Ayaka Tamura**, Tokyo (JP)

(73) Assignee: **Sony Corporation**, Tokyo (JP)

(**) Term: **14 Years**

(21) Appl. No.: **29/421,192**

(22) Filed: **Jun. 11, 2012**

Related U.S. Application Data

(62) Division of application No. 29/347,986, filed on Aug. 31, 2010, now Pat. No. Des. 661,702.

(51) **LOC (9) Cl.** **14-04**

(52) **U.S. Cl.**
USPC **D14/487**

(58) **Field of Classification Search** D14/485-488;
715/784, 799, 828, 830

See application file for complete search history.

(56) **References Cited**

U.S. PATENT DOCUMENTS

5,270,688 A 12/1993 Dawson et al.
6,028,600 A 2/2000 Rosin et al.

(Continued)

FOREIGN PATENT DOCUMENTS

JP D1231354 S 2/2005
JP D1370871 S 10/2009

OTHER PUBLICATIONS

Office Action in Japanese Patent Application No. 2010-021117, dated Feb. 18, 2011.

(Continued)

Primary Examiner — Karen E Kearney

(74) *Attorney, Agent, or Firm* — Rader, Fishman & Grauer PLLC

(57) **CLAIM**

The ornamental design for an display panel or screen with animated graphical user interface, as shown and described.

DESCRIPTION

FIG. 1 is a front elevational view of a first image in a sequence for a display panel or screen with animated graphical user interface showing our new design;

FIG. 2 is a front elevational view of a second image thereof; FIG. 3 is a front elevational view of a third image thereof; FIG. 4 is a front elevational view of a fourth image thereof; and,

FIG. 5 is a front elevational view of a fifth image thereof.

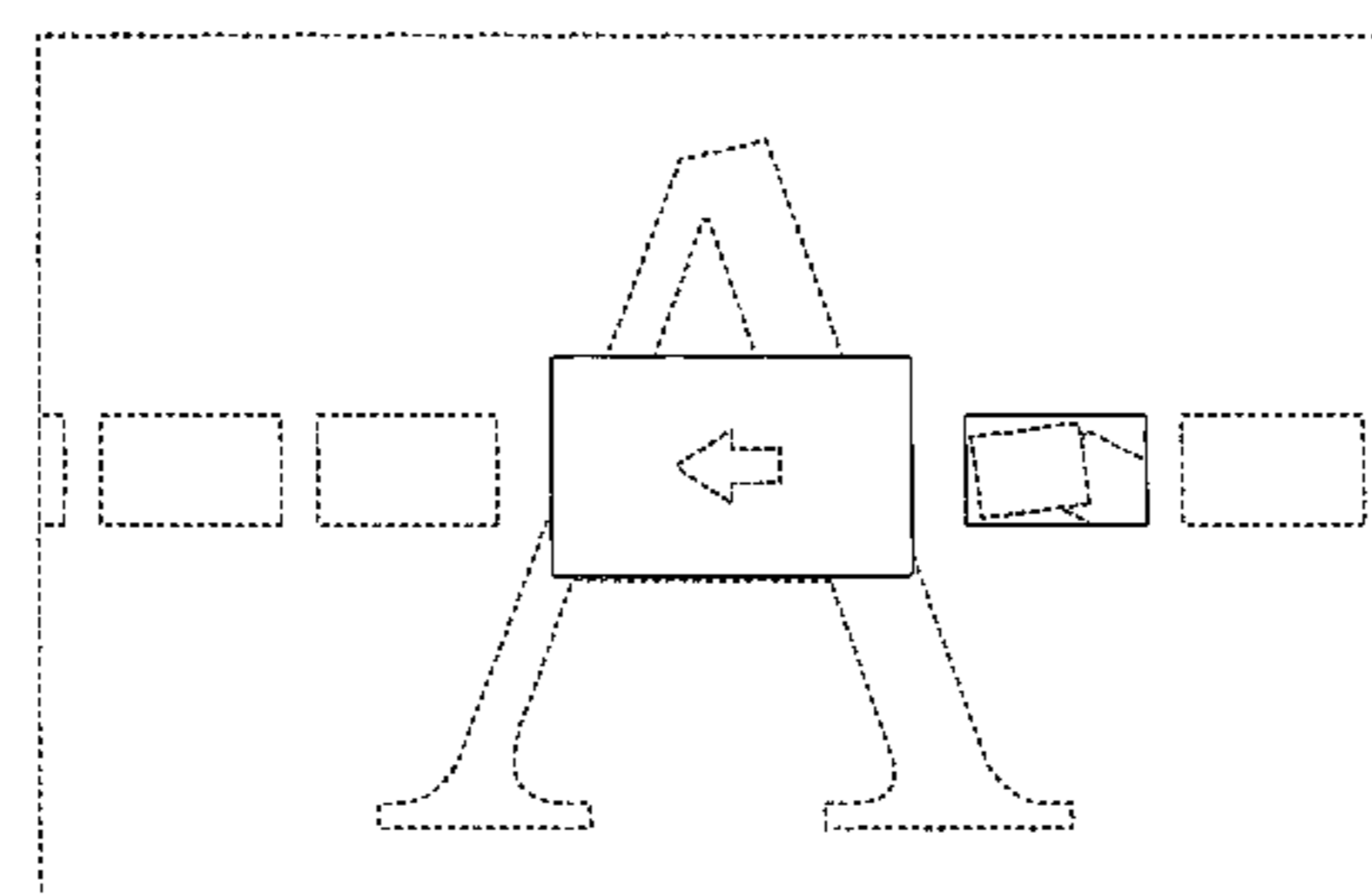
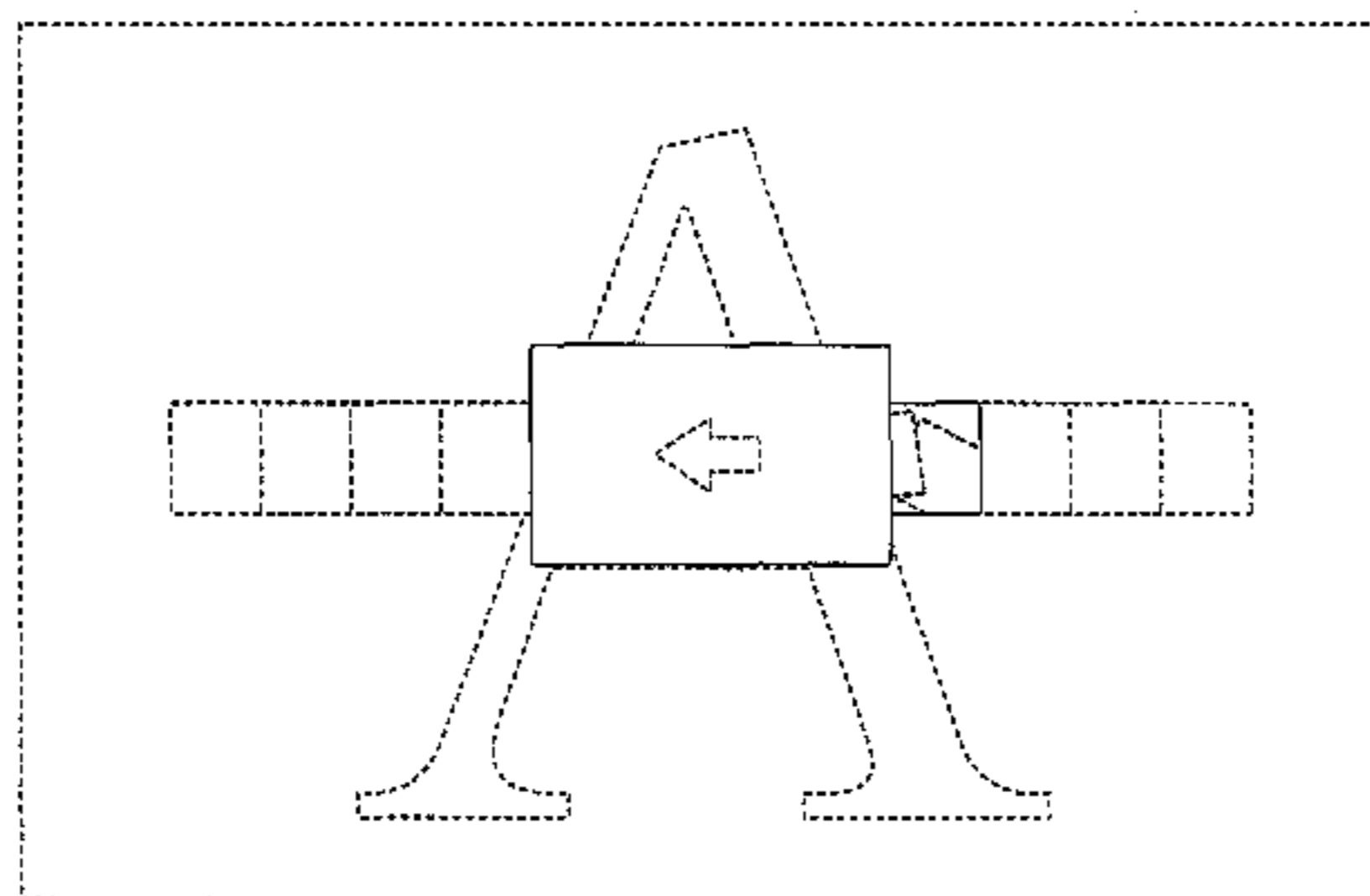
FIG. 6 is a front elevational view of a first image in a sequence for a second embodiment of a display panel or screen with animated graphical user interface showing our new design; FIG. 7 is a front elevational view of a second image thereof; FIG. 8 is a front elevational view of a third image thereof; FIG. 9 is a front elevational view of a fourth image thereof; and,

FIG. 10 is a front elevational view of a fifth image thereof.

The appearance of the image transitions sequentially between the images shown in FIGS. 1-5 and FIGS. 6-10 respectively. The process or period in which an image transitions to another forms no part of the claimed design.

The broken line showings of the display panel or screen are for the purpose of illustrating environmental structure. The broken line showings of the letter, text, and other elements are for the purpose of illustrating portions of the animated graphical user interface. The broken lines form no part of the claimed design.

1 Claim, 10 Drawing Sheets



U.S. PATENT DOCUMENTS

6,031,536 A 2/2000 Kamiwada et al.
D424,041 S 5/2000 Tambata
6,070,176 A 5/2000 Downs et al.
D444,794 S 7/2001 Nashida et al.
6,342,902 B1 1/2002 Harradine et al.
6,473,101 B1* 10/2002 Grigor et al. 715/784
D472,902 S 4/2003 Nashida et al.
D475,064 S 5/2003 Nashida et al.
6,594,664 B1* 7/2003 Estrada et al. 1/1
D478,090 S 8/2003 Nguyen et al.
6,734,859 B2 5/2004 Hayashi et al.
D535,657 S 1/2007 Ording
D555,664 S 11/2007 Nagata et al.
D558,211 S 12/2007 Dongen
D559,855 S 1/2008 Sato et al.
D559,857 S 1/2008 Van Dongen
D564,539 S 3/2008 Van Dongen
D571,819 S 6/2008 Scott et al.
D575,793 S 8/2008 Ording
7,437,005 B2* 10/2008 Drucker et al. 382/224
D580,942 S 11/2008 Oshiro et al.
D581,940 S 12/2008 Van Dongen
D588,605 S 3/2009 Okada
D593,116 S 5/2009 Garcia et al.
D593,578 S 6/2009 Ball et al.
D594,026 S* 6/2009 Ball et al. D14/488
D595,309 S 6/2009 Sasaki et al.
D599,364 S 9/2009 Mays
D599,366 S 9/2009 Brown et al.
D599,367 S 9/2009 Mays et al.
D599,368 S 9/2009 Kanga et al.
D599,371 S 9/2009 Brown et al.
D599,806 S 9/2009 Brown et al.
D603,415 S 11/2009 Lin et al.
7,614,012 B1 11/2009 Dulaney
D611,053 S 3/2010 Kanga et al.
D611,484 S 3/2010 Mays et al.
D611,485 S 3/2010 Marashi
D614,640 S 4/2010 Vieggers et al.
D614,641 S 4/2010 Vieggers et al.
D614,643 S 4/2010 Vieggers et al.
7,761,812 B2* 7/2010 Ostojic et al. 715/835
D625,323 S 10/2010 Matsushima et al.
D627,365 S 11/2010 Brinda
D631,886 S 2/2011 Vance et al.
D631,887 S 2/2011 Vance et al.
D633,918 S 3/2011 Vance et al.
D633,920 S 3/2011 Luke et al.
D634,750 S 3/2011 Loretan et al.
D634,753 S 3/2011 Loretan et al.
D636,785 S 4/2011 Brinda
D637,604 S* 5/2011 Brinda D14/488
D637,606 S 5/2011 Luke et al.
D638,432 S 5/2011 Flik et al.

D638,853 S* 5/2011 Brinda D14/488
D643,043 S 8/2011 Loken et al.
D646,292 S 10/2011 Thai et al.
8,146,016 B2* 3/2012 Himberger et al. 715/825
D657,367 S* 4/2012 Allen et al. D14/485
D658,201 S* 4/2012 Gleasman et al. D14/486
D658,673 S* 5/2012 Velasco et al. D14/488
D658,676 S* 5/2012 Gleasman et al. D14/488
D658,677 S* 5/2012 Gleasman et al. D14/488
D658,678 S* 5/2012 Gleasman et al. D14/488
D661,702 S* 6/2012 Asai et al. D14/488
D662,942 S* 7/2012 Trabona et al. D14/488
D664,561 S* 7/2012 Gleasman et al. D14/488
D664,972 S* 8/2012 Gleasman et al. D14/486
D664,988 S* 8/2012 Gleasman et al. D14/488
8,239,783 B2* 8/2012 Fong et al. 715/784
8,239,894 B2* 8/2012 Utsuki et al. 725/52
D667,020 S* 9/2012 MacKenzie et al. D14/486
2005/0177798 A1* 8/2005 Thomson et al. 715/788
2005/0210410 A1* 9/2005 Ohwa et al. 715/821
2007/0011623 A1* 1/2007 Billmaier et al. 715/784
2008/0155475 A1* 6/2008 Duhig 715/830
2008/0270941 A1* 10/2008 Kim et al. 715/830
2009/0070710 A1* 3/2009 Kagaya et al. 715/810
2009/0300497 A1* 12/2009 Billmaier et al. 715/716
2009/0322676 A1* 12/2009 Kerr et al. 345/158
2009/0327939 A1* 12/2009 Johns et al. 715/765
2010/0095240 A1* 4/2010 Shiplacoff et al. 715/784
2010/0123734 A1* 5/2010 Ozawa et al. 345/619
2010/0125786 A1* 5/2010 Ozawa et al. 715/702
2010/0251165 A1* 9/2010 Williams 715/784
2011/0167388 A1* 7/2011 Tsai 715/830
2011/0246942 A1* 10/2011 Misawa 715/830

OTHER PUBLICATIONS

Patent Office Prior Art No. HB19011921, "Popular Science," No. 5, p. 16, Oct. 29, 2007.
Patent Office Prior Art No. HC19032131, "Garmin iigo.net GPS," nuvi 360, Jan. 11, 2008.
Patent Office Prior Art No. HC20007855, nuvi 250, Apr. 25, 2008.
Patent Office Prior Art No. HJ22013252, "Microsoft kin," degisnboom, <http://www.designboom.com/weblog/cat/16/view/9810/microsoft-kin.html>, Jun. 4, 2010.
Patent Office Prior Art No. HC20010149, Catalog, "Lui," p. 8, May 23, 2008.
Office Action in Japanese Design Application No. 2010-021116, dated Feb. 4, 2011.
Patent Office Prior Art No. HJ20012306, "Magellan-Triton 500 WASS-Enabled Portable GPS Receiver with 2.2" Co 1, Best Buy, <http://www.bestbuy.com/site/olspage.jsp?skuId=8577747&type=product&id=1190677840609>, Jun. 16, 2008.

* cited by examiner

FIG. 1

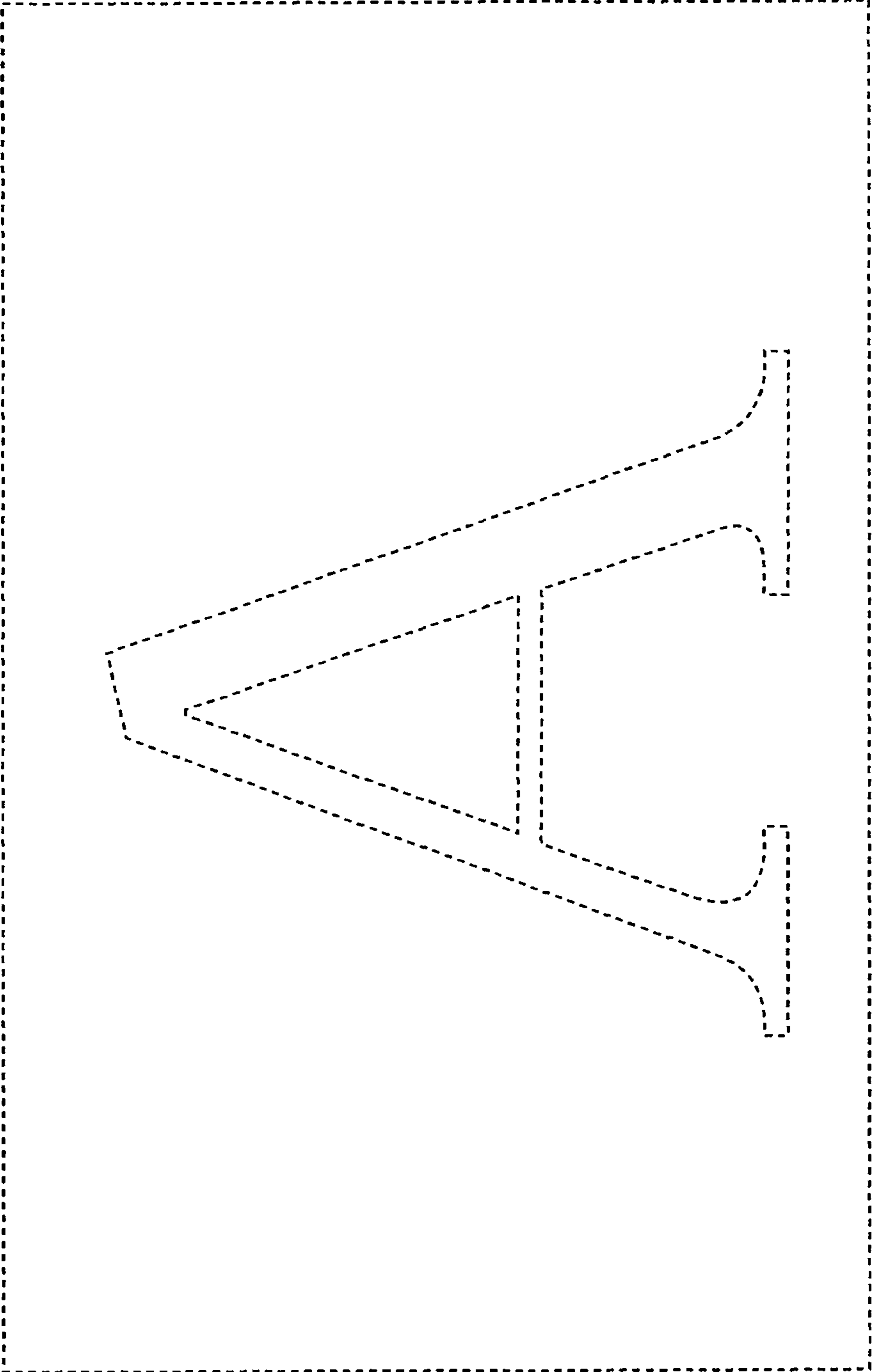


FIG. 2

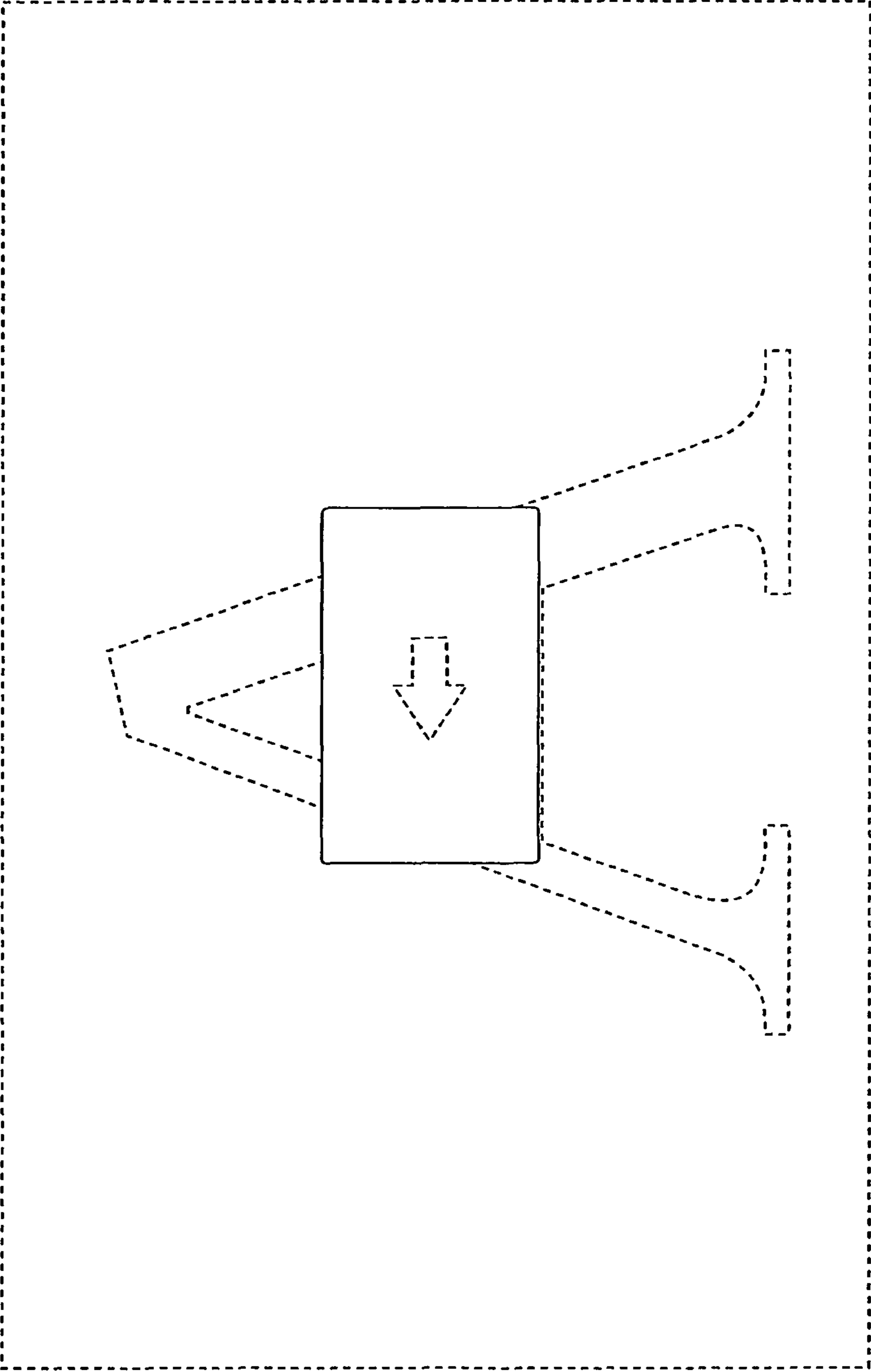


FIG. 3

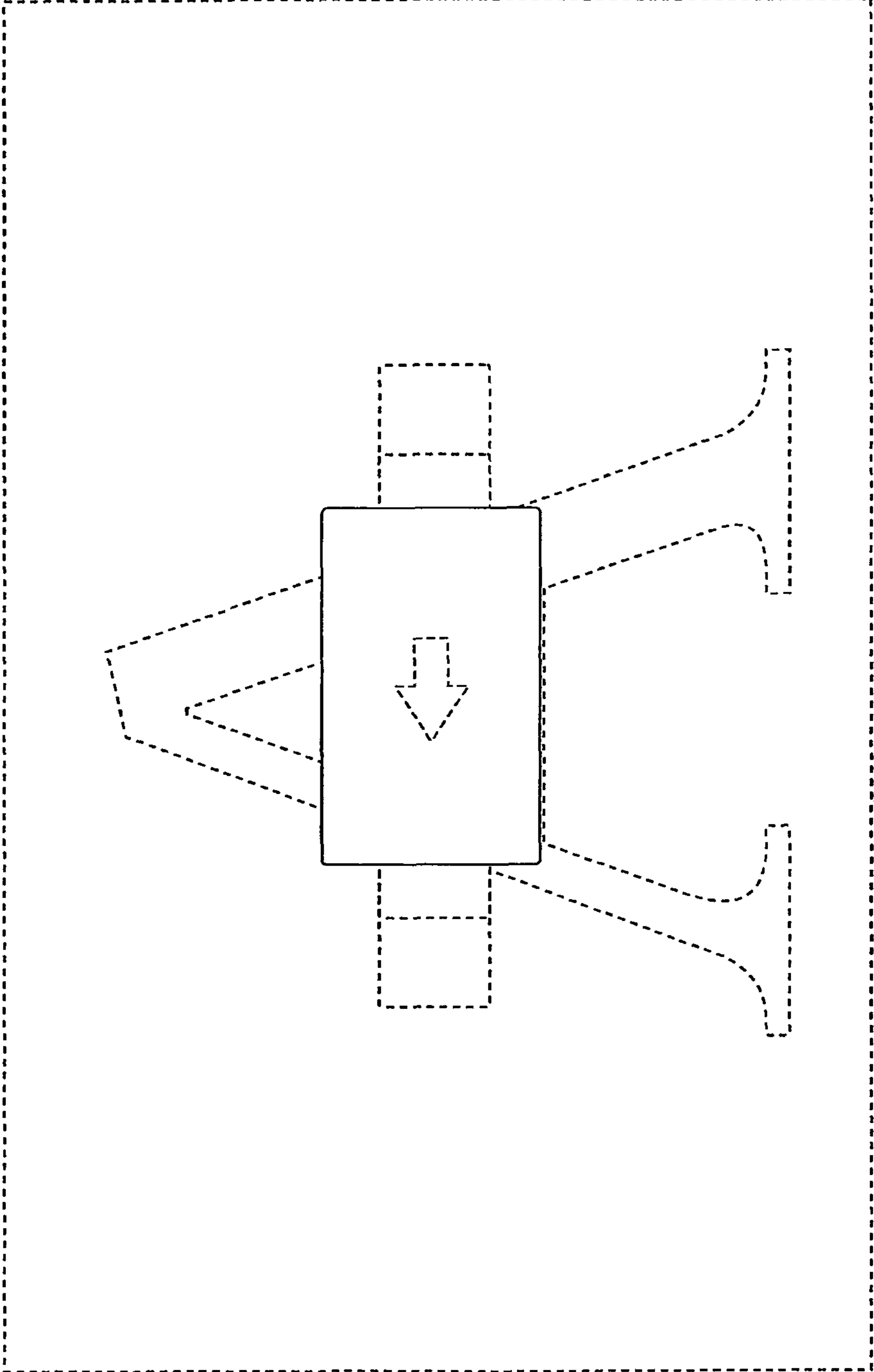


FIG. 4

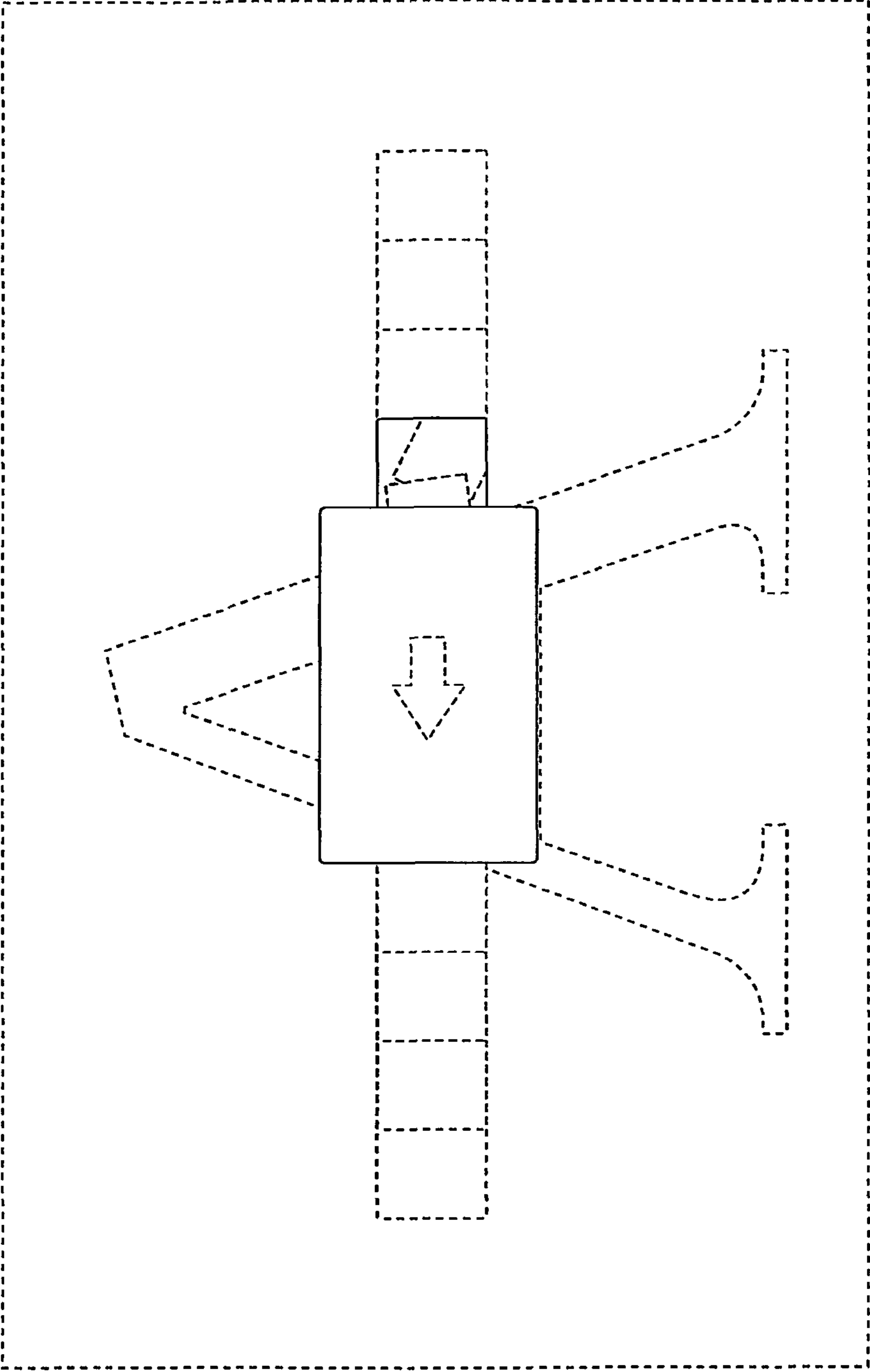


FIG. 5

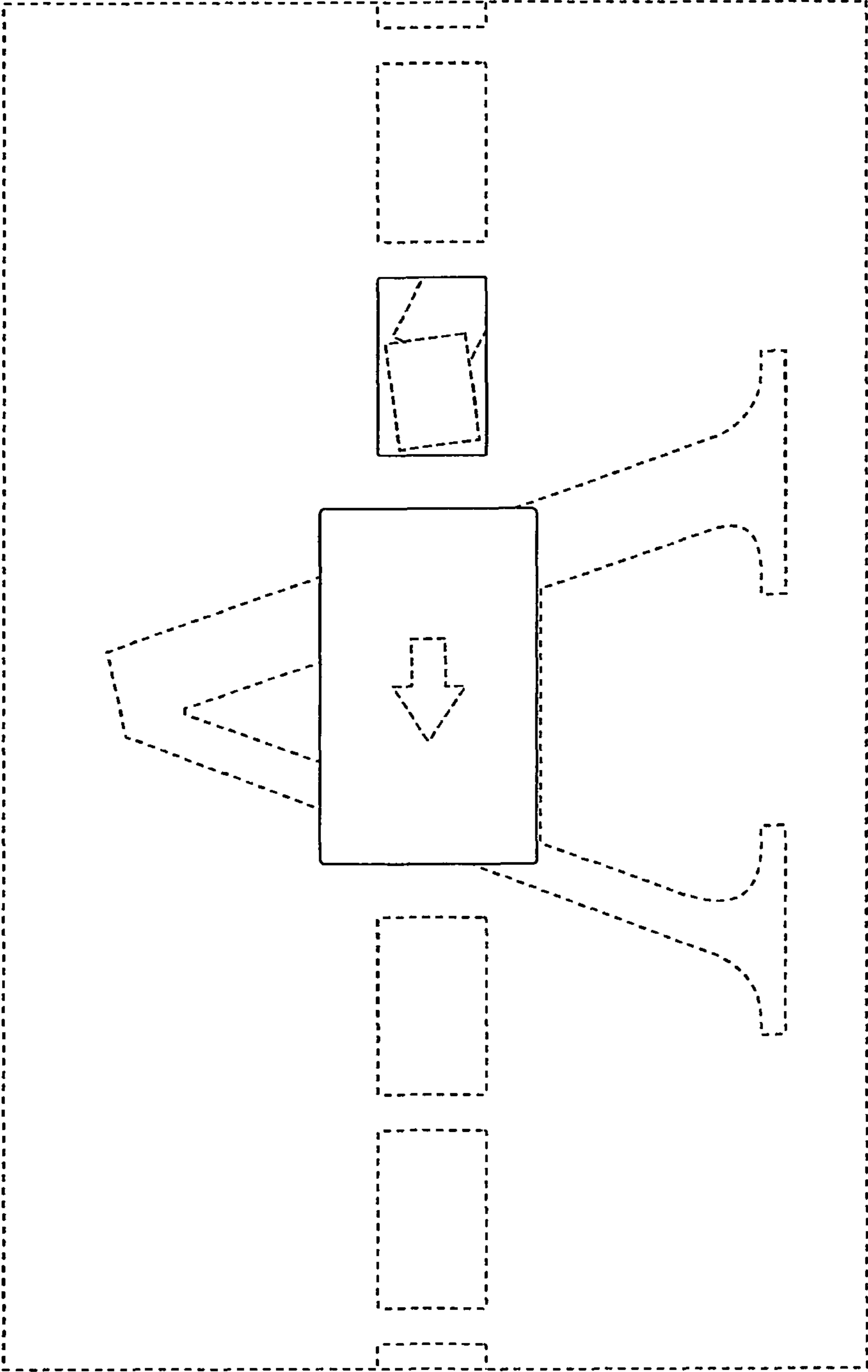


FIG. 6

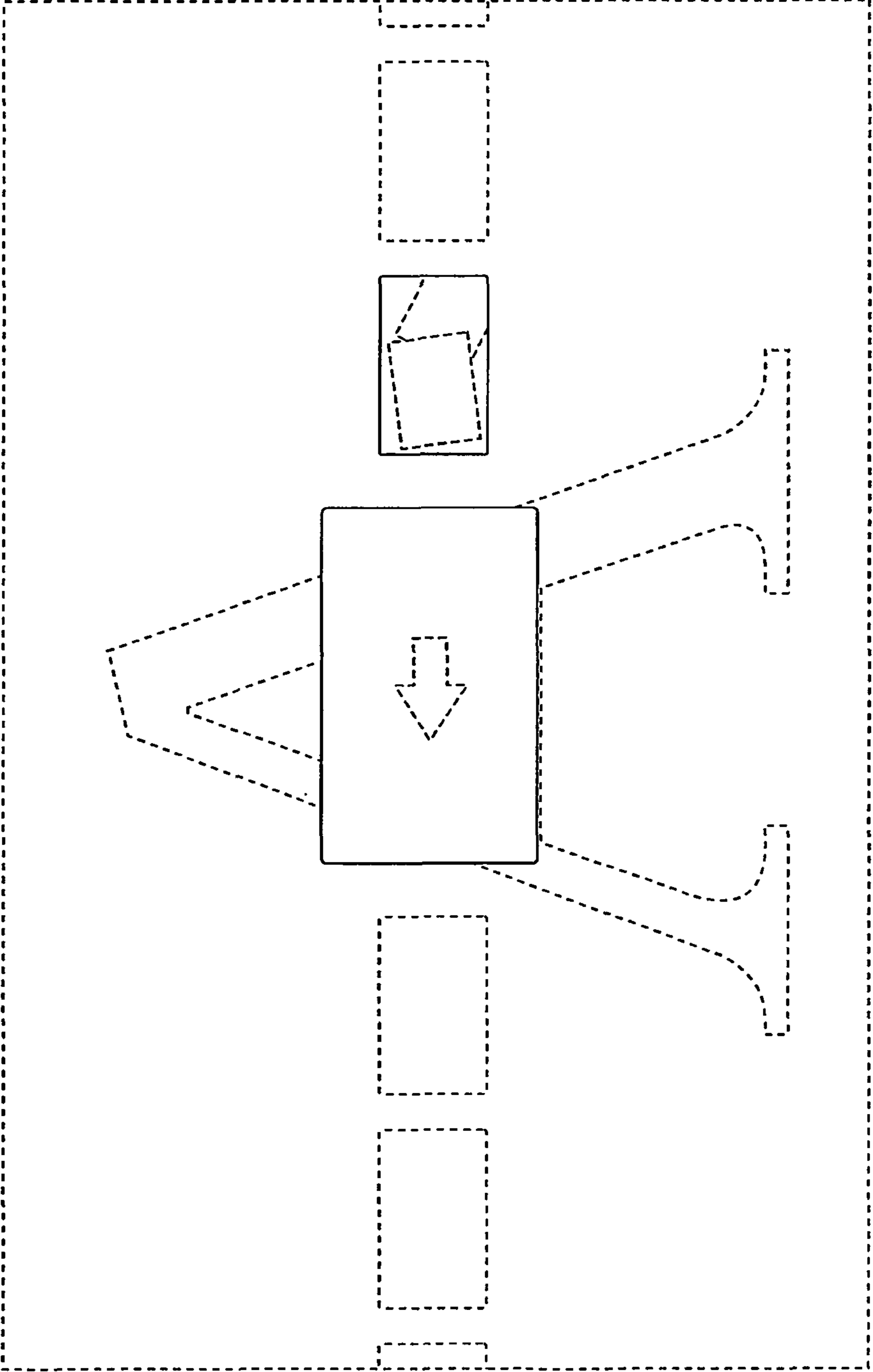


FIG. 7

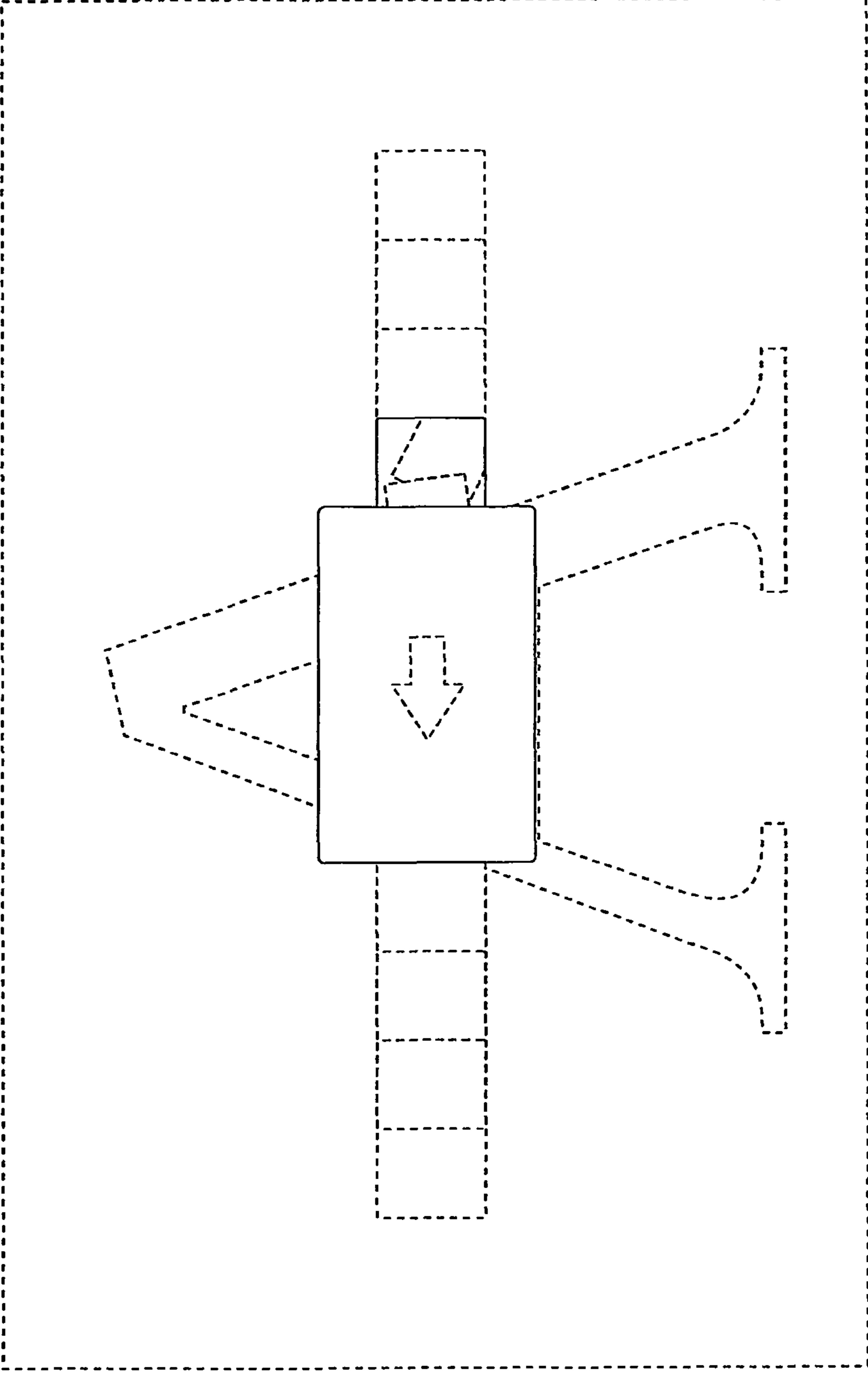


FIG. 8

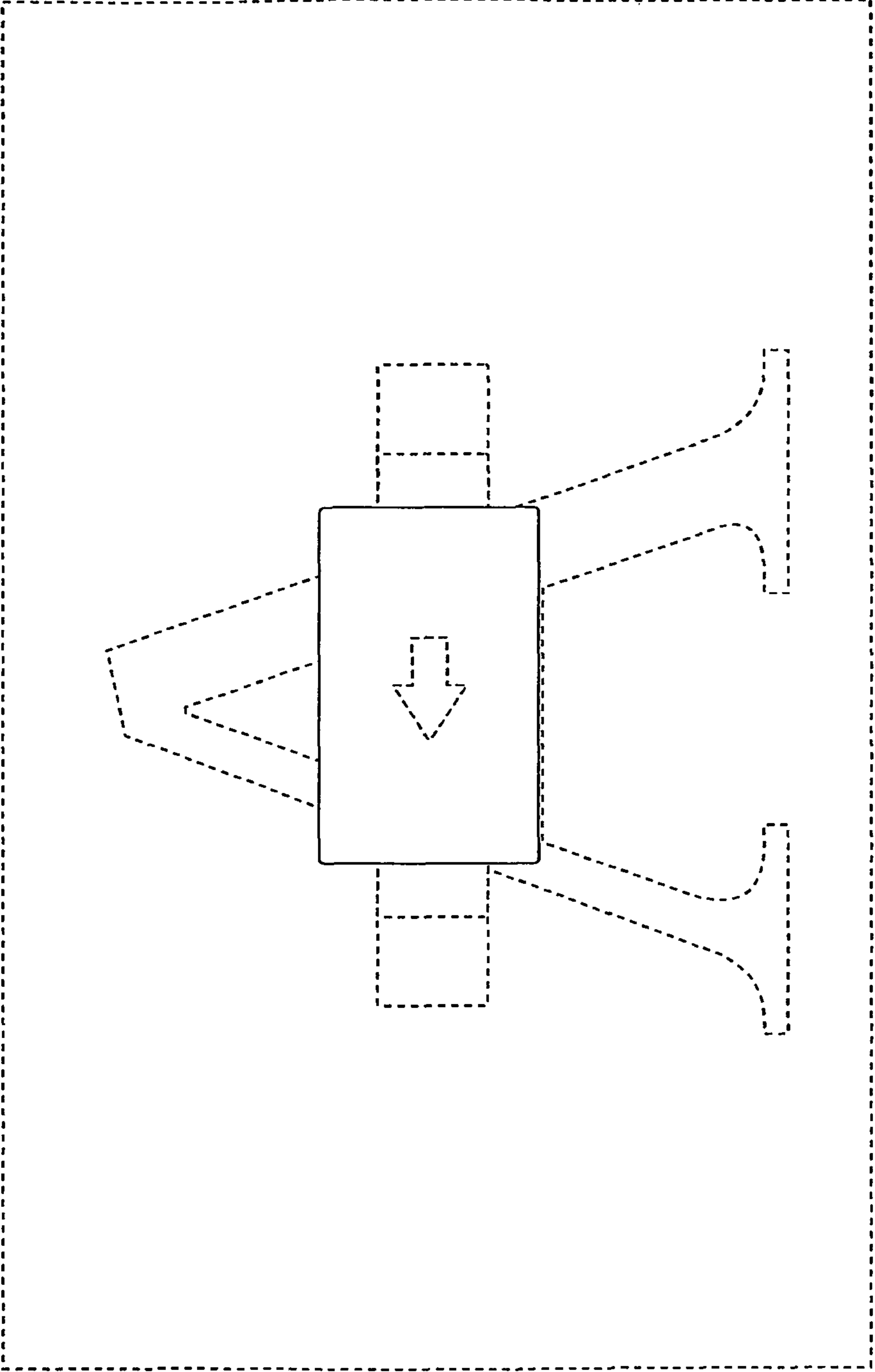


FIG. 9

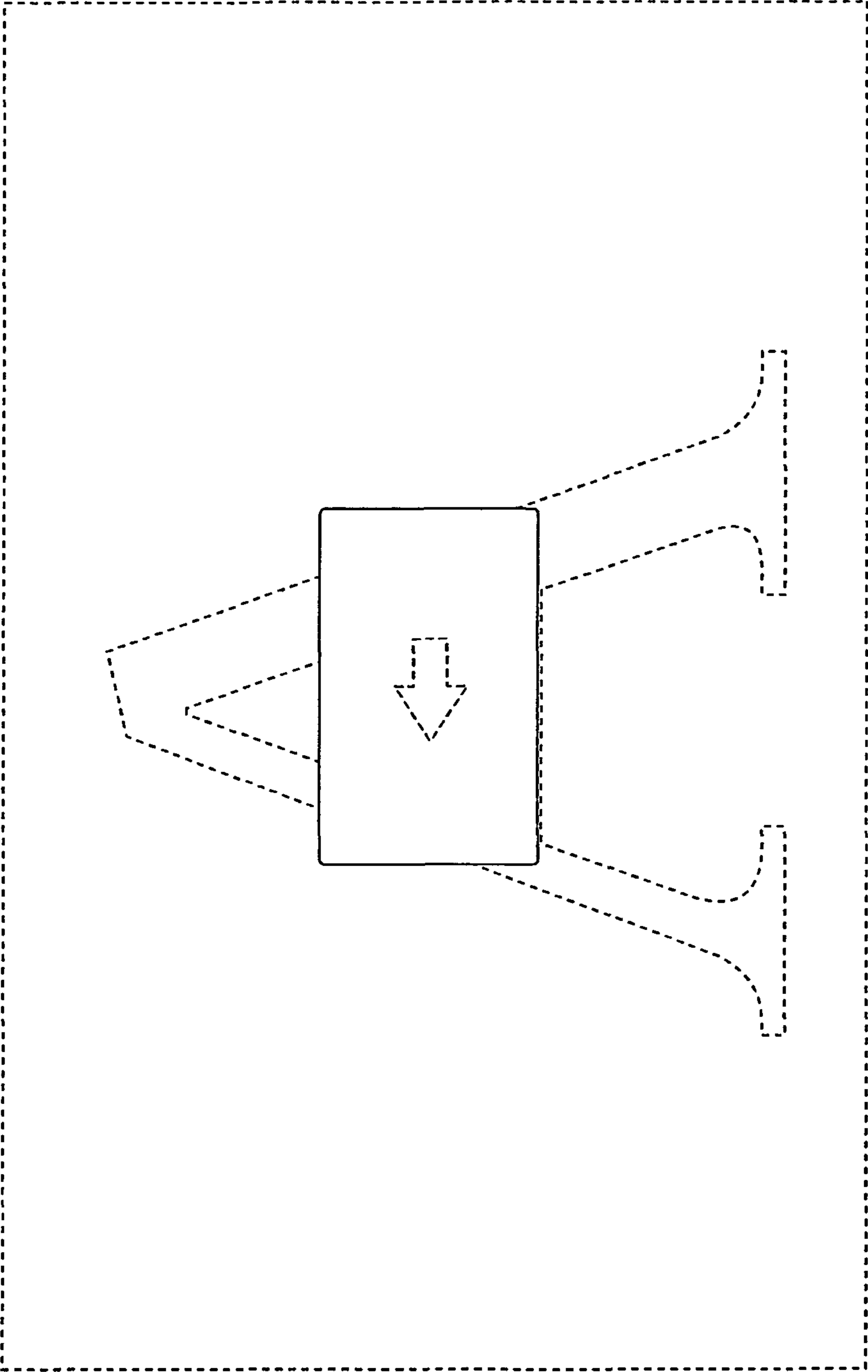


FIG. 10

