



US00D681043S

(12) **United States Design Patent**  
**Lin**

(10) **Patent No.:** **US D681,043 S**  
(45) **Date of Patent:** **\*\* Apr. 30, 2013**

- (54) **MOBILE SUPPORTING MEMBER**
- (76) Inventor: **Chia-Ching Lin**, Taipei (TW)
- (\*\*) Term: **14 Years**
- (21) Appl. No.: **29/416,546**
- (22) Filed: **Mar. 23, 2012**
- (51) **LOC (9) Cl.** ..... **08-07**
- (52) **U.S. Cl.**  
USPC ..... **D14/452**
- (58) **Field of Classification Search** ..... D14/451,  
D14/452, 239, 432, 434, 439, 448, 457, 251,  
D14/253, 224, 224.1, 126, 127, 371, 373,  
D14/374, 375; D8/363, 373, 380; 248/121,  
248/122.1, 123.11, 68.1, 917, 918, 919, 920,  
248/921, 922, 923, 924, 441.1, 460, 125.7,  
248/371, 176.1, 176.3, 222.52, 276.1, 324;  
361/679.06, 679.04, 679.21, 679.22, 679.56  
See application file for complete search history.

- D621,843 S \* 8/2010 Salzedo ..... D14/480.7
- D630,637 S \* 1/2011 Saelid ..... D14/452
- D642,549 S \* 8/2011 Zeinoun et al. .... D14/125
- D662,940 S \* 7/2012 Magnusson ..... D14/451
- 2012/0120628 A1 \* 5/2012 Bliven et al. .... 361/807

\* cited by examiner

*Primary Examiner* — Cynthia Ramirez  
(74) *Attorney, Agent, or Firm* — Li & Cai Intellectual Property (USA) Office

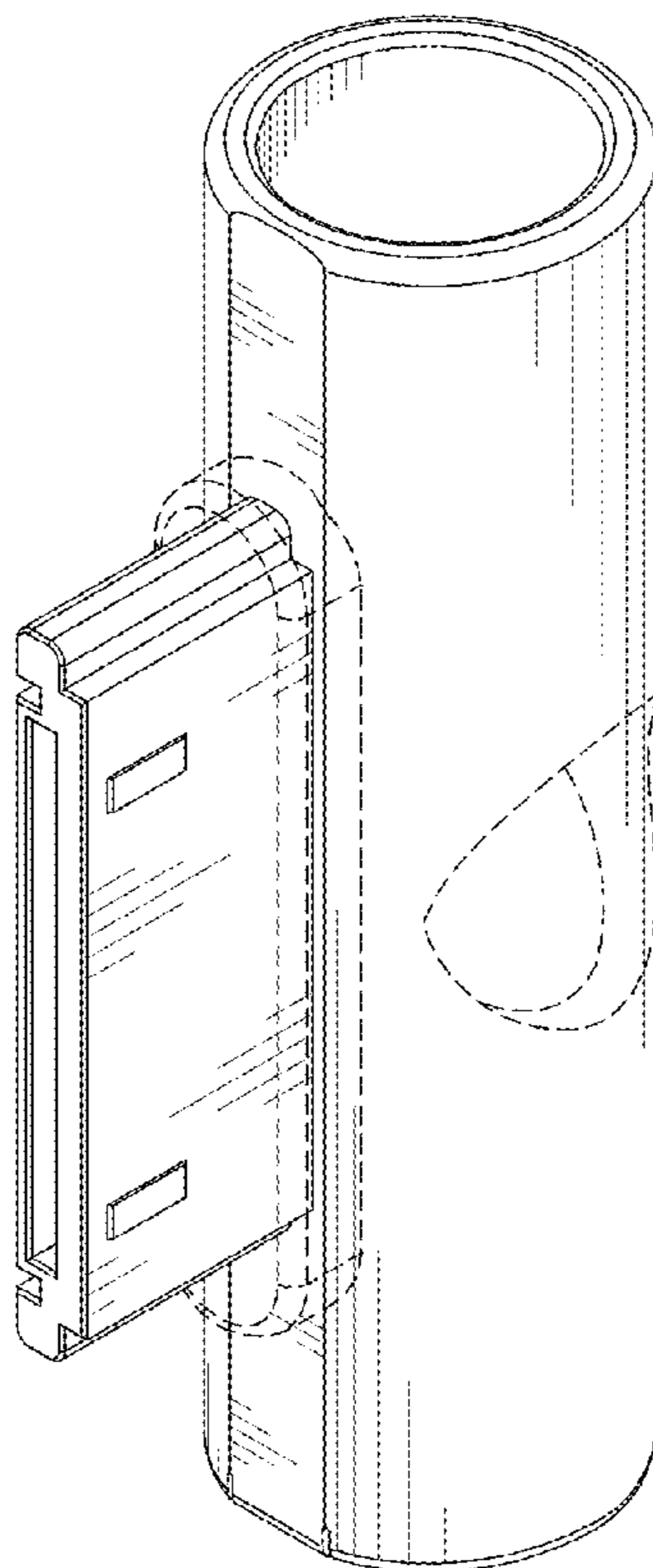
(57) **CLAIM**  
The ornamental design for a “mobile supporting member,” as shown and described.

**DESCRIPTION**

FIG. 1 is a perspective view of a “mobile supporting member” showing my new design;  
FIG. 2 is a front view thereof;  
FIG. 3 is a rear view thereof;  
FIG. 4 is a left side view thereof;  
FIG. 5 is a right side view thereof;  
FIG. 6 is a top view thereof; and,  
FIG. 7 is a bottom view thereof.  
The broken lines shown in the figures are included for the purpose of illustrating portions of the mobile supporting member and form no part of the claimed design.

- (56) **References Cited**  
U.S. PATENT DOCUMENTS  
5,356,100 A \* 10/1994 Bookwalter et al. .... 248/122.1  
6,837,810 B1 \* 1/2005 McAllister et al. .... 473/483  
D591,756 S \* 5/2009 Wohlford et al. .... D14/452  
7,530,538 B2 \* 5/2009 Whalen et al. .... 248/125.8  
D595,298 S \* 6/2009 Zonshine et al. .... D14/451

**1 Claim, 6 Drawing Sheets**



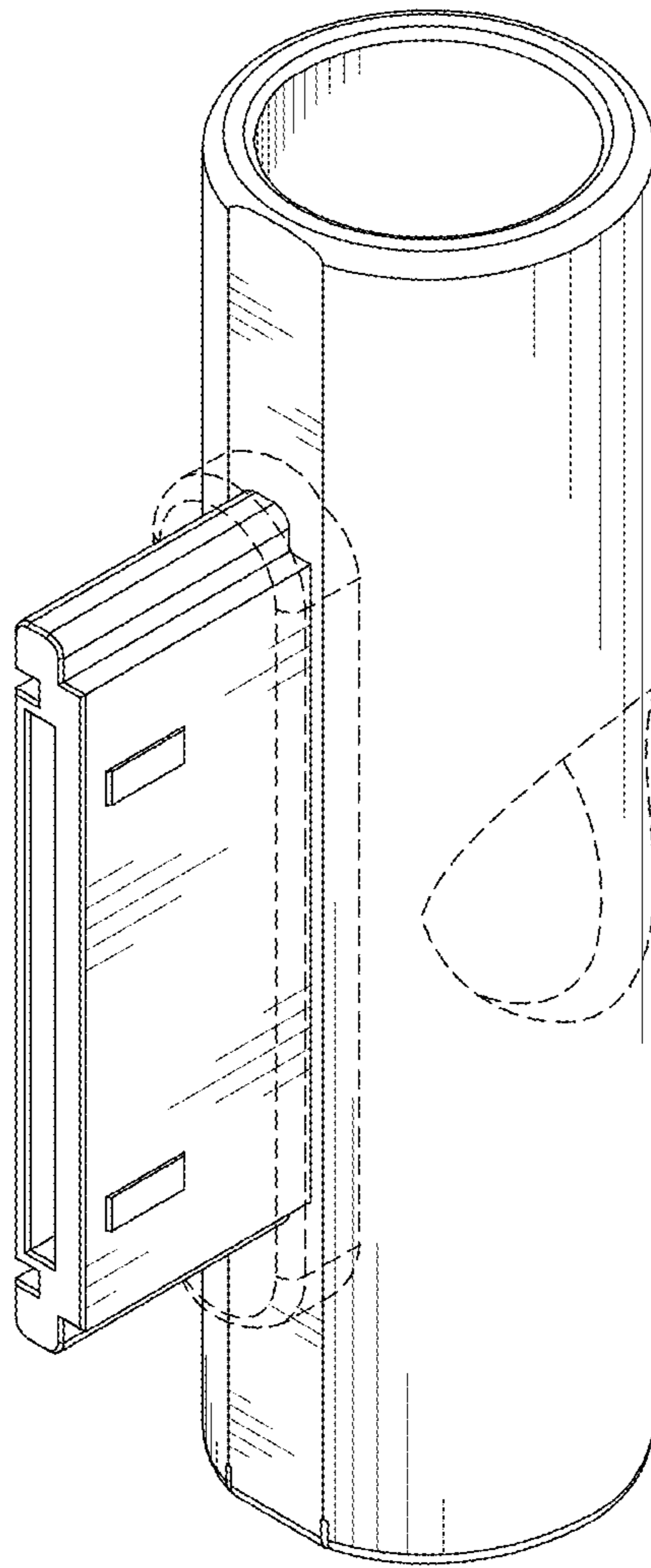


FIG. 1

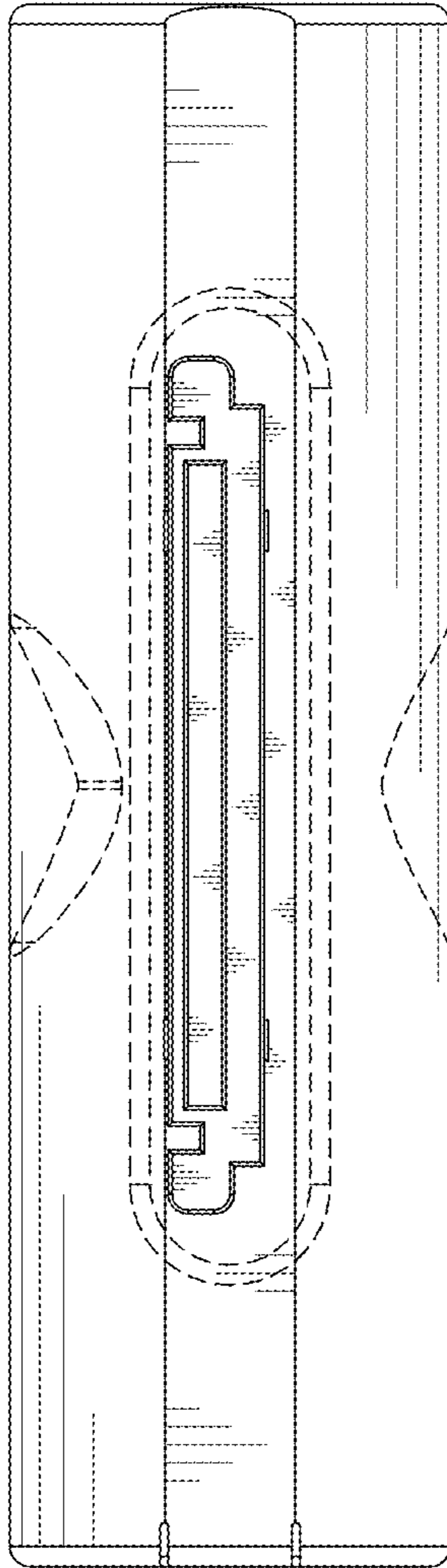


FIG. 2

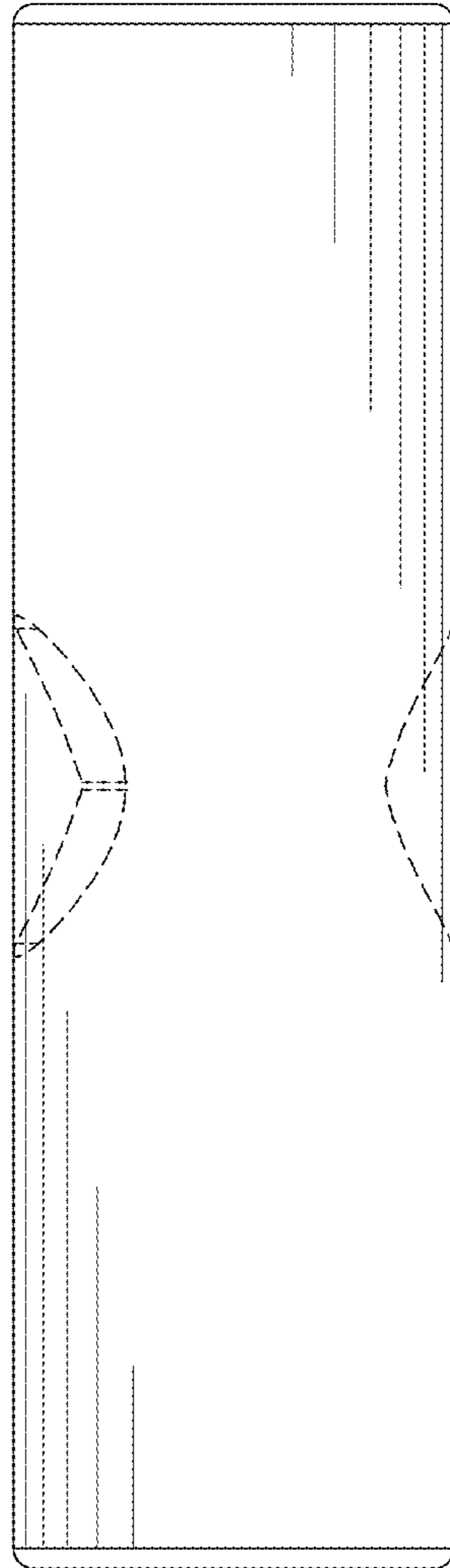


FIG. 3

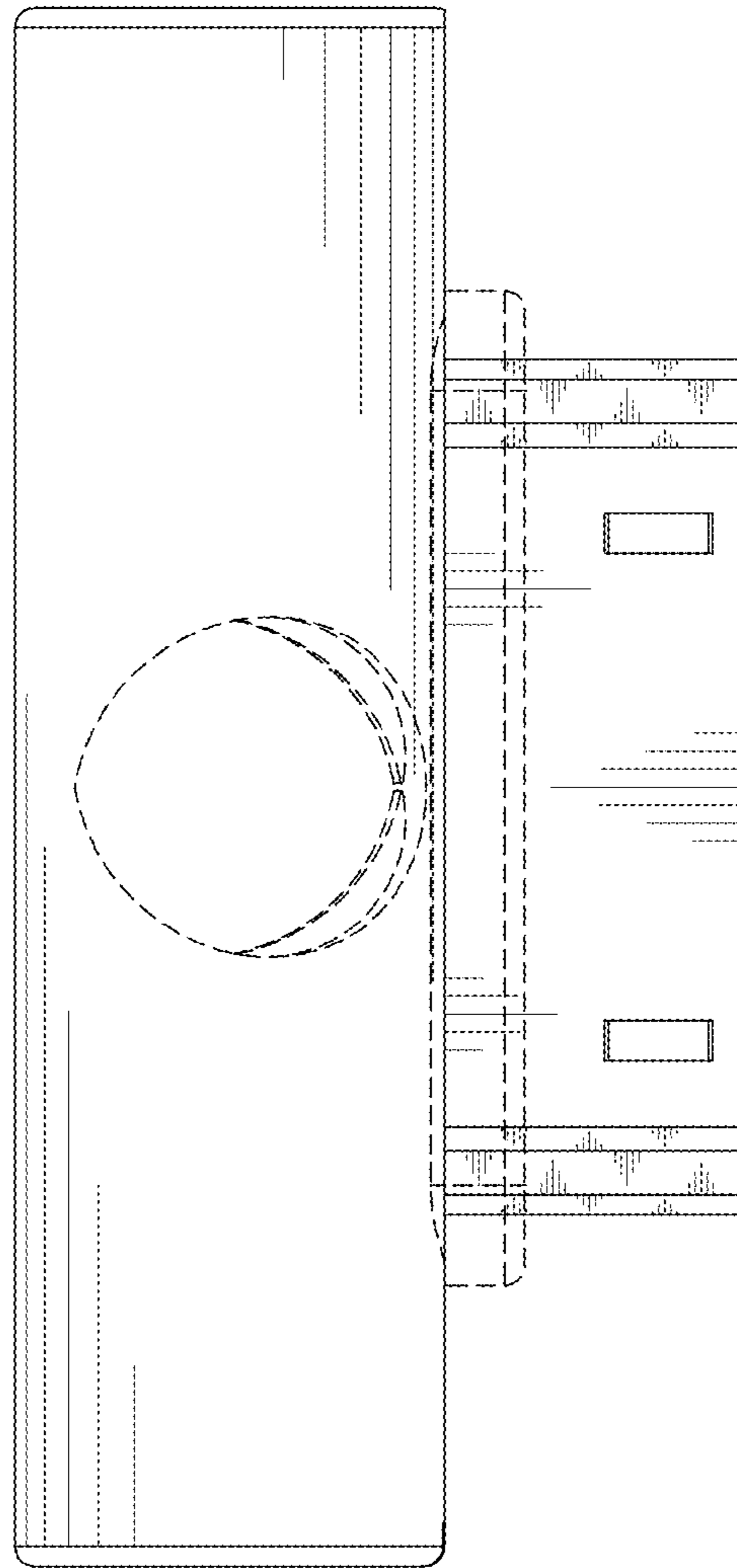


FIG. 4

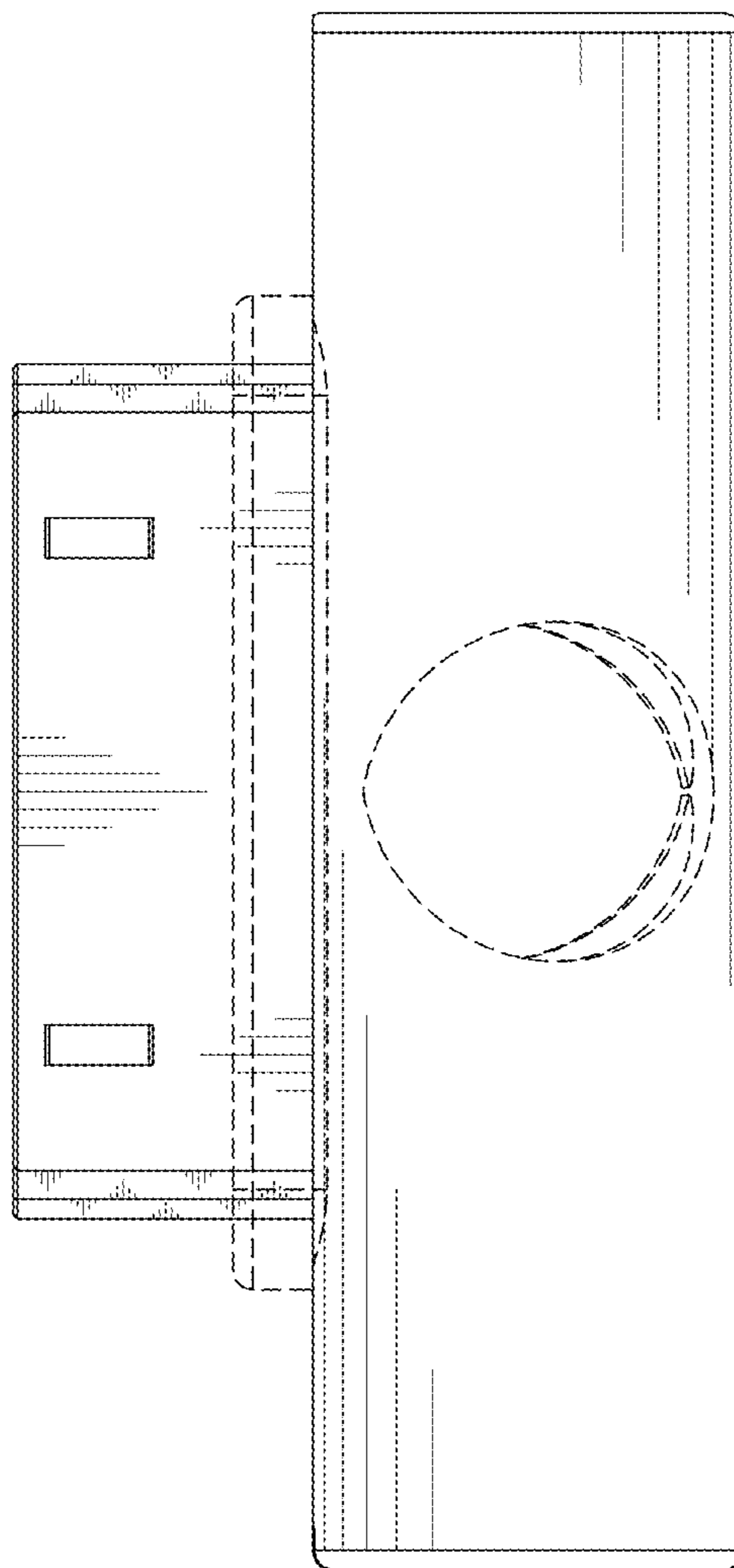


FIG. 5

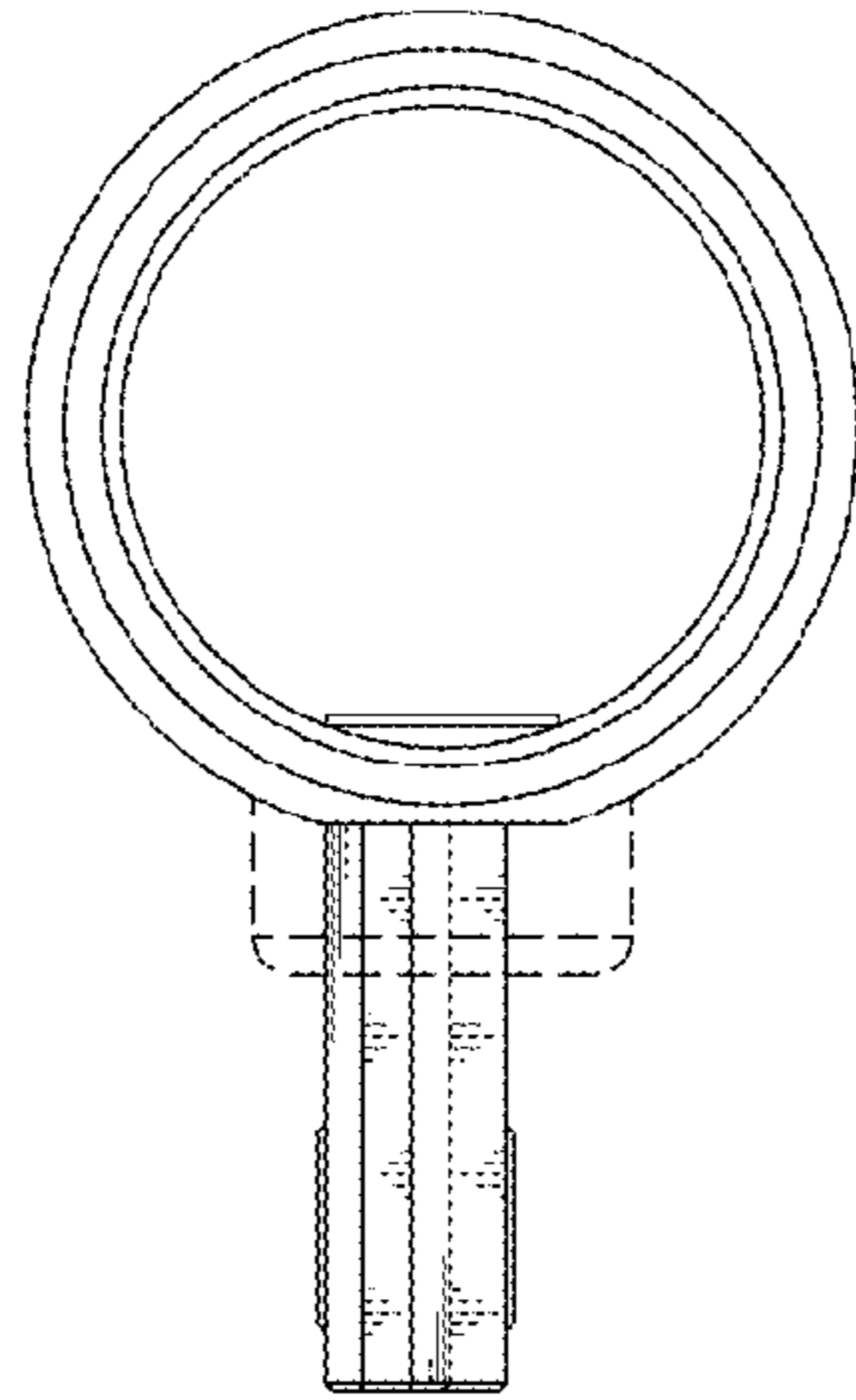


FIG. 6

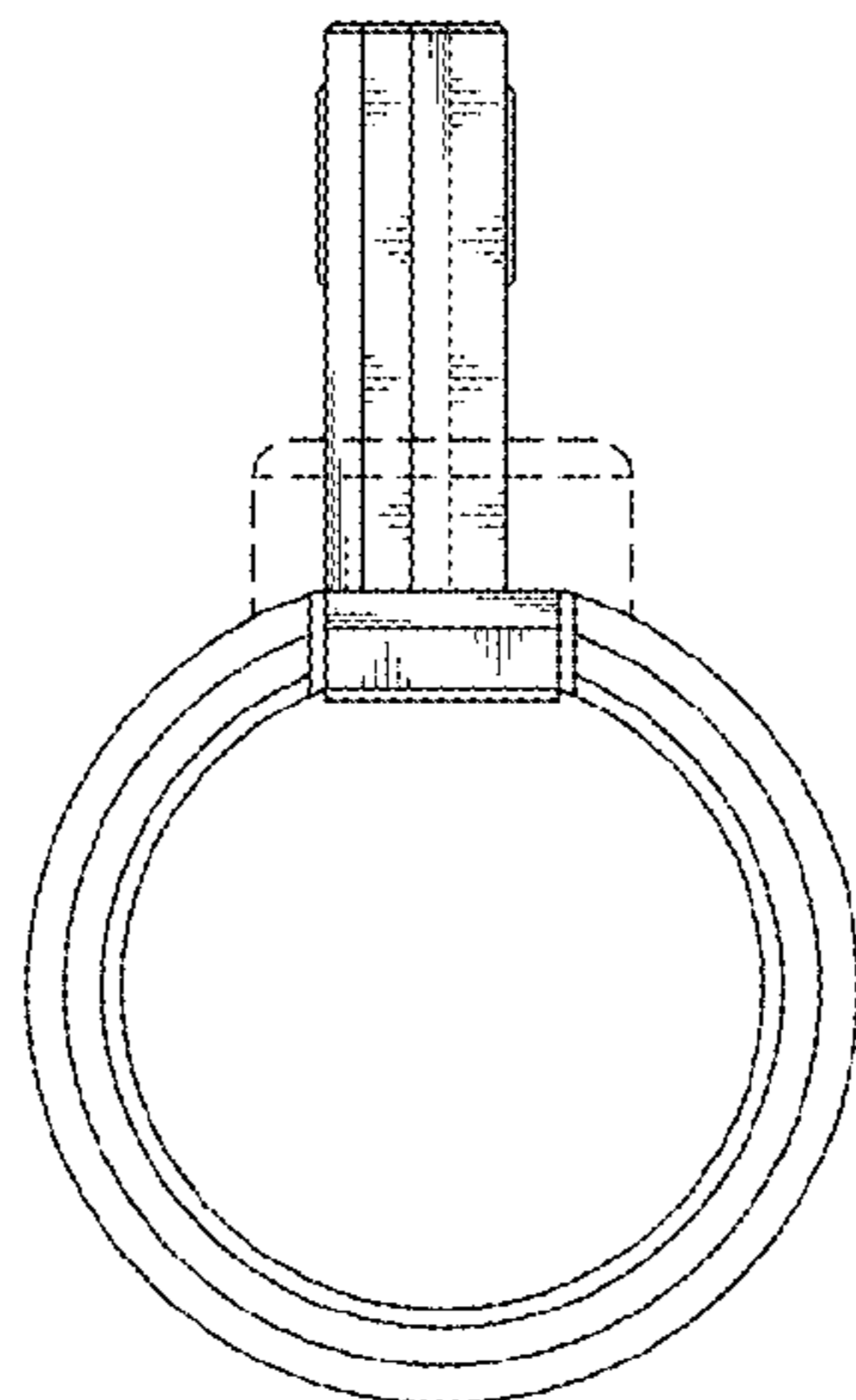


FIG. 7