



US00D681041S

(12) **United States Design Patent**
Phillips et al.

(10) **Patent No.:** **US D681,041 S**
(45) **Date of Patent:** **** Apr. 30, 2013**

- (54) **ELECTRONIC DEVICE FOLDER**
- (75) Inventors: **Alison Phillips**, Toronto (CA); **Todd Andrew Wood**, Toronto (CA); **Caitlin Curran-Blaney**, Toronto (CA)
- (73) Assignee: **Research In Motion Limited**, Waterloo, Ontario (CA)
- (**) Term: **14 Years**
- (21) Appl. No.: **29/408,065**
- (22) Filed: **Dec. 6, 2011**
- (51) **LOC (9) Cl.** **14-02**
- (52) **U.S. Cl.**
USPC **D14/440**
- (58) **Field of Classification Search** D14/250,
D14/251, 253, 240, 217, 496, 440, 203.3,
D14/203.4, 203.5, 203.8, 432, 439, 300;
D3/218, 215, 201, 276, 900, 301, 303; 220/4.02;
248/309.1; 361/679.56, 679.03, 683, 679.09;
379/426, 433.11, 455; 455/575.1, 575.8;
190/100; 206/305, 320; D9/742, 443; 345/173
See application file for complete search history.

(56) **References Cited**

U.S. PATENT DOCUMENTS

4,044,980	A *	8/1977	Cummins	248/456
4,467,920	A *	8/1984	Smith	206/457
D286,773	S *	11/1986	Pauser	D14/299
4,718,550	A *	1/1988	Johnson	206/387.13
D306,583	S *	3/1990	Krolopp et al.	D14/137
D386,677	S *	11/1997	Abiteboul	D3/271.5
D398,527	S *	9/1998	Maceachern et al.	D9/432
6,158,588	A *	12/2000	Conti	206/457
D546,878	S *	7/2007	Bharma	D19/26
D579,975	S *	11/2008	Brown	D19/26
D600,699	S *	9/2009	Johnston et al.	D14/440
D602,017	S *	10/2009	Andre et al.	D14/341
D603,166	S *	11/2009	Becker	D3/301

D607,157	S *	12/2009	Ciciora	D30/160
D611,045	S *	3/2010	Andre et al.	D14/327
D621,125	S *	8/2010	Heintzelman	D99/28
7,861,995	B2 *	1/2011	Liou	248/454
D634,313	S *	3/2011	Fitzpatrick et al.	D14/250
D637,596	S *	5/2011	Akana et al.	D14/341
D639,806	S *	6/2011	Lee et al.	D14/345
D639,816	S *	6/2011	Bau	D14/447
D642,615	S *	8/2011	Naimi	D19/26
D652,831	S *	1/2012	Lee et al.	D14/315
D658,173	S *	4/2012	Kim	D14/345
D659,139	S *	5/2012	Gengler	D14/392
D662,100	S *	6/2012	Van Den Nieuwenhuizen	D14/440
D663,304	S *	7/2012	Akana et al.	D14/440
8,230,992	B2 *	7/2012	Law et al.	206/320

(Continued)

Primary Examiner — Cynthia Underwood

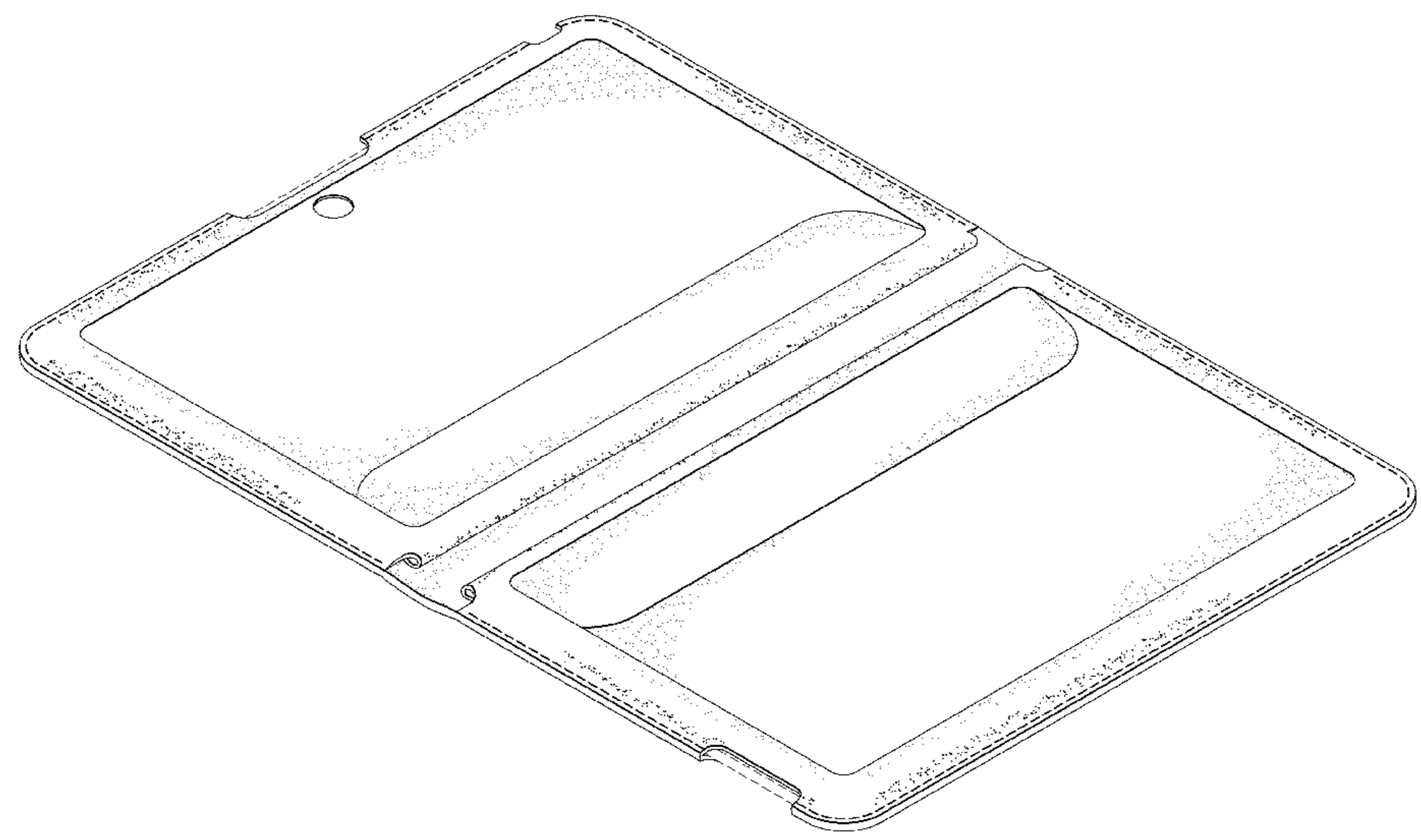
(57) **CLAIM**
We claim the ornamental design for an electronic device folder, as shown and described.

DESCRIPTION

FIG. 1 is a front perspective view of a electronic device folder; FIG. 2 is a back elevational view thereof; FIG. 3 is a front elevational view thereof; FIG. 4 is a left elevational view thereof; FIG. 5 is a right elevational view thereof; FIG. 6 is a top plan view thereof; and, FIG. 7 is a bottom plan view thereof.

The evenly spaced broken lines that follow the perimeter of the electronic device folder represent stitching and are part of the claimed design. Broken lines shown in the three indented or cut-out portions (two shown in FIG. 5 on the right side of the folder, and one shown in FIG. 6 on the top side of the folder) of the perimeter of the folder represent environmental structure, particularly edges of material which are connected together with the illustrated stitching. The non-stitching broken lines form no part of the claimed design.

1 Claim, 5 Drawing Sheets



US D681,041 S

Page 2

U.S. PATENT DOCUMENTS

D665,810 S *	8/2012	Jones et al.	D14/440	2010/0300909 A1*	12/2010	Hung	206/320
2001/0040561 A1*	11/2001	Weinzierl et al.	345/169	2012/0043231 A1*	2/2012	Perrier et al.	206/216
2010/0294909 A1*	11/2010	Hauser et al.	248/456	* cited by examiner				

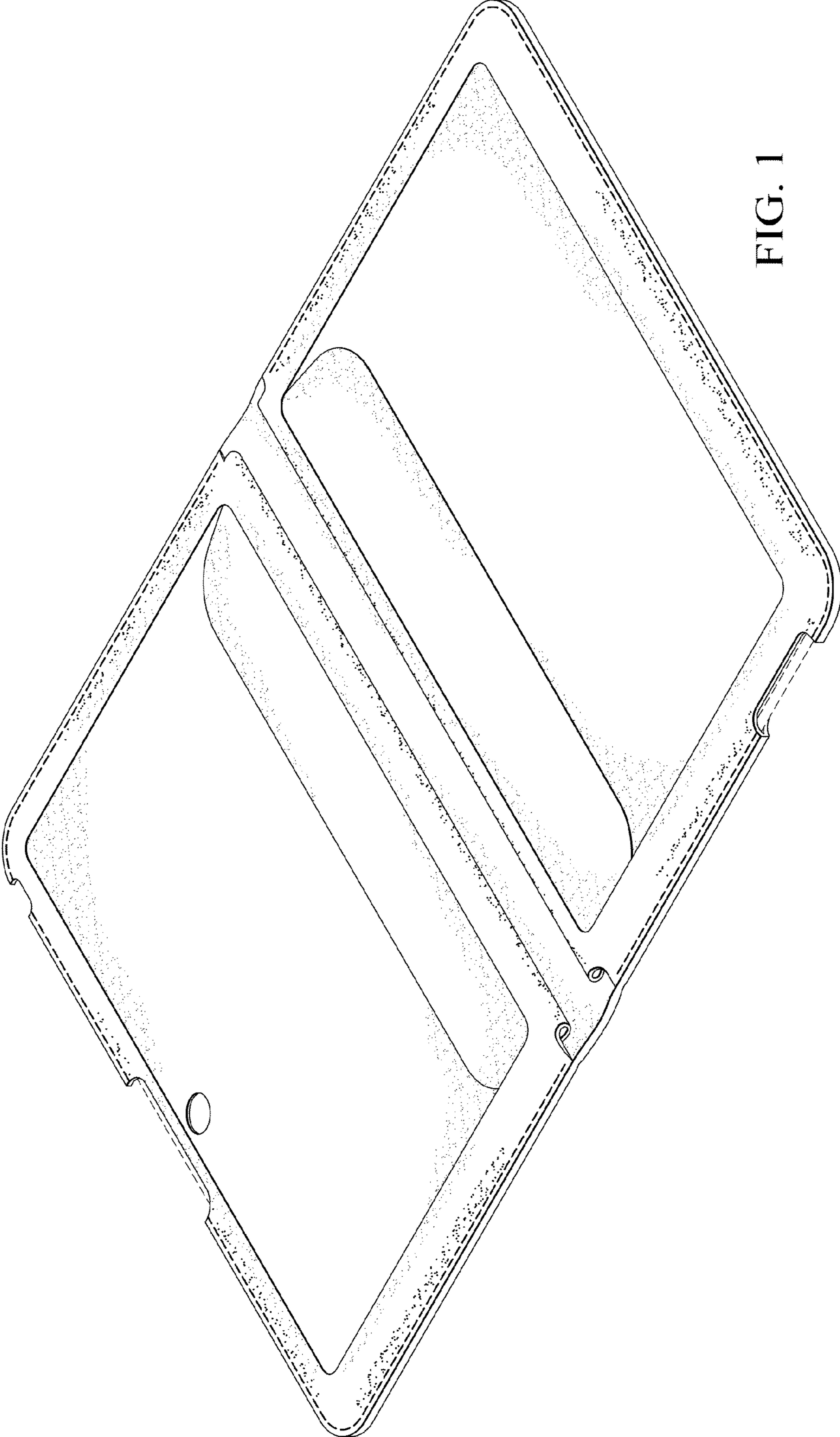


FIG. 1

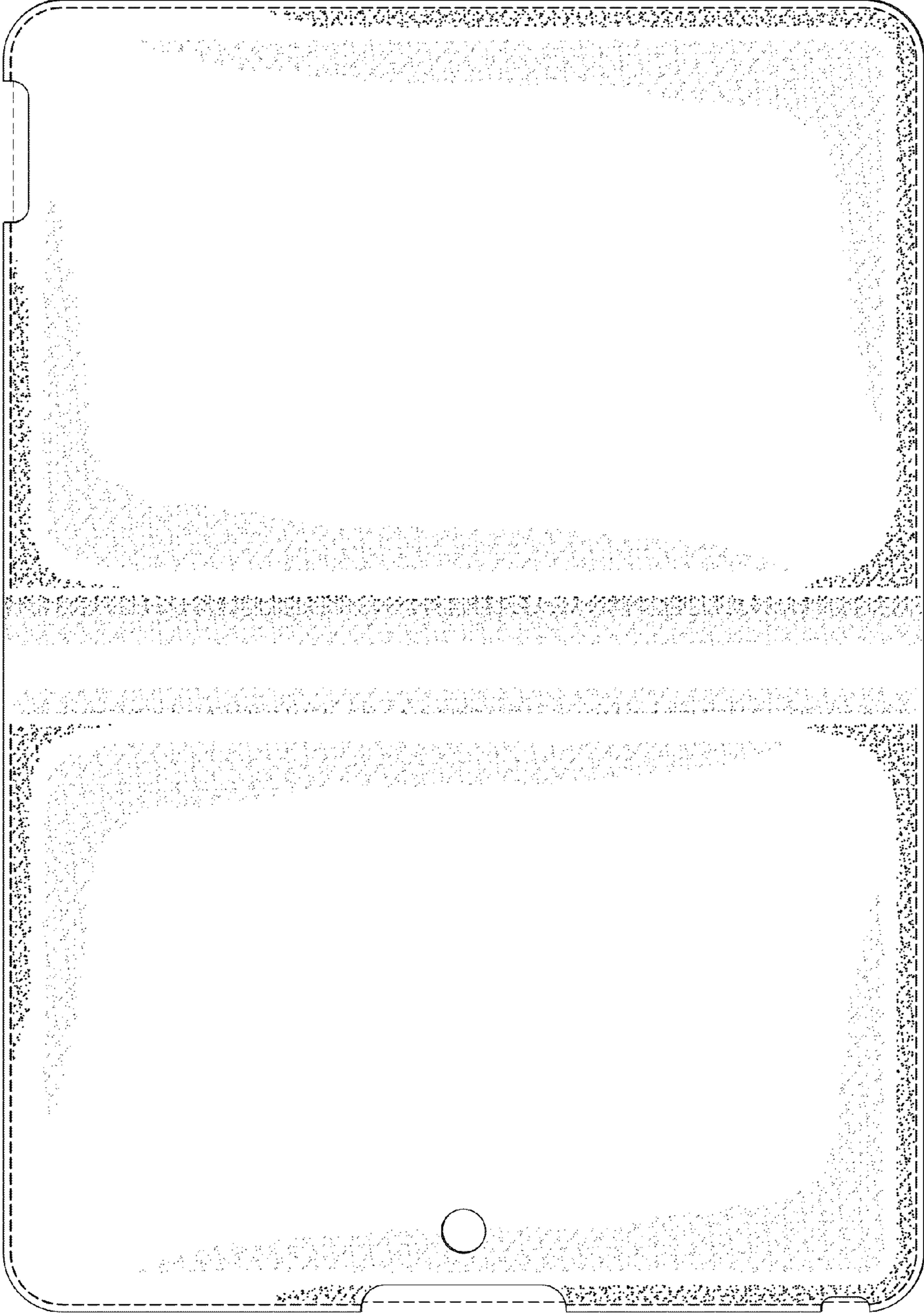


FIG. 2

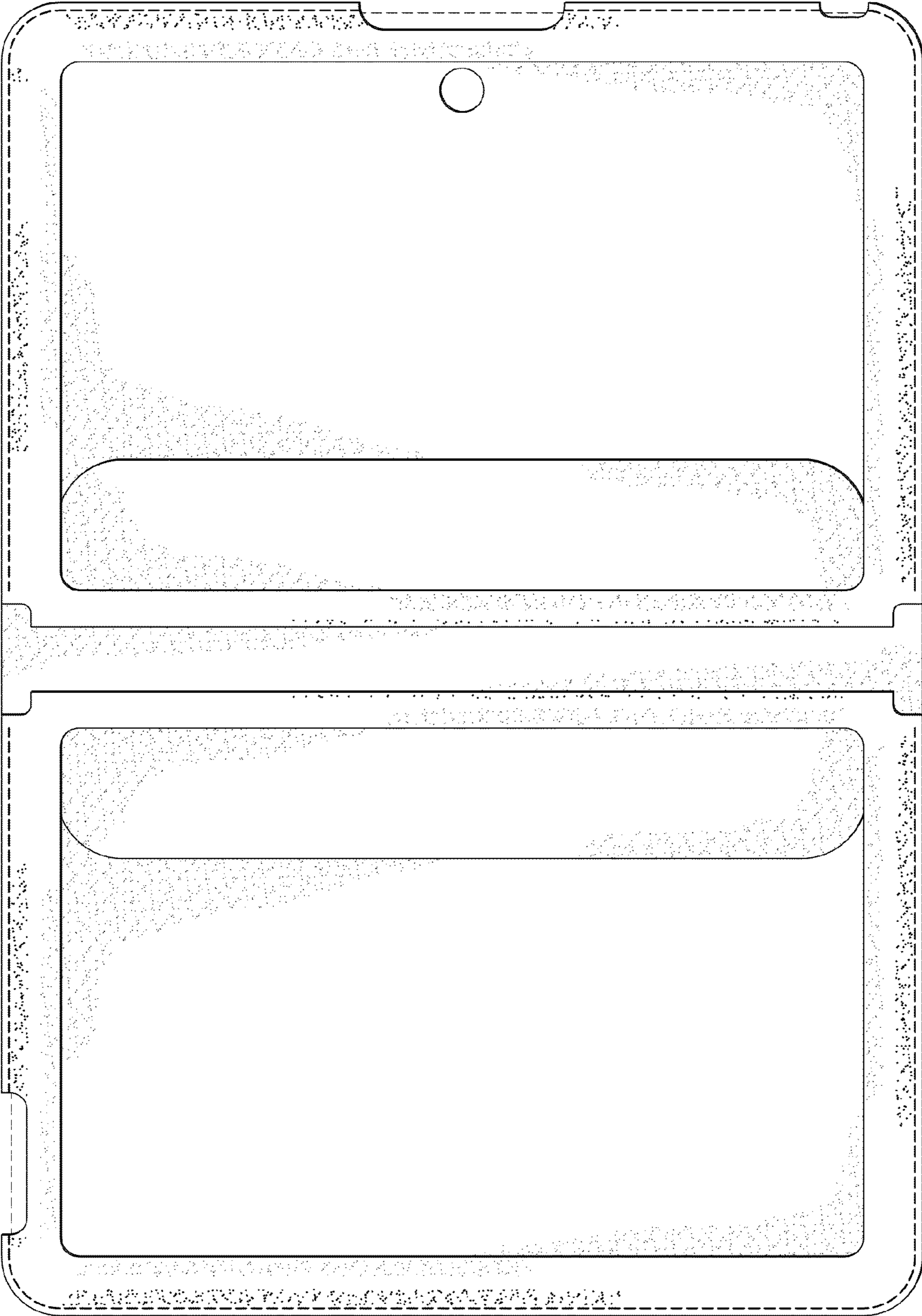


FIG. 3

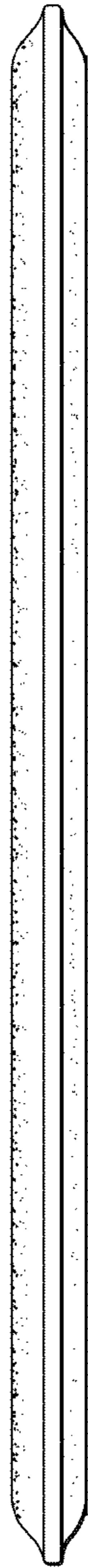


FIG. 4



FIG. 5

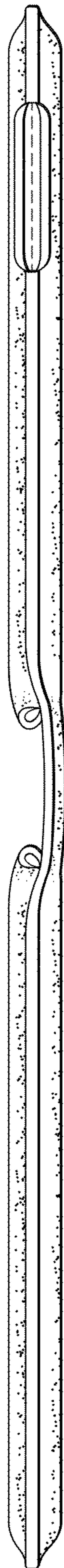


FIG. 6



FIG. 7