



US00D681038S

(12) **United States Design Patent**  
**Tomohiro**

(10) **Patent No.:** **US D681,038 S**

(45) **Date of Patent:** **\*\* Apr. 30, 2013**

(54) **STYLUS**

(71) Applicant: **Harato Tomohiro**, Seoul (KR)

(72) Inventor: **Harato Tomohiro**, Seoul (KR)

(73) Assignee: **Samsung Electronics Co., Ltd.** (KR)

(\*\*) Term: **14 Years**

(21) Appl. No.: **29/435,093**

(22) Filed: **Oct. 19, 2012**

(51) **LOC (9) Cl.** ..... **14-02**

(52) **U.S. Cl.**  
USPC ..... **D14/411**

(58) **Field of Classification Search** ..... D8/61;  
D14/411; D19/35, 36, 41-51, 54-58; 401/55,  
401/99, 100, 104-107, 196, 197, 202, 208,  
401/209, 213, 192, 195, 243; 708/107; 345/179,  
345/173; 178/19.01; 700/94  
See application file for complete search history.

(56) **References Cited**

U.S. PATENT DOCUMENTS

D419,541 S \* 1/2000 Kawashima ..... D14/431  
D585,489 S \* 1/2009 Han et al. .... D19/36  
D608,827 S \* 1/2010 Hung ..... D19/49

D617,796 S \* 6/2010 Ando ..... D14/411  
D656,545 S \* 3/2012 Hung ..... D19/36  
D669,122 S \* 10/2012 Liu ..... D19/41  
D669,898 S \* 10/2012 Nakata ..... D14/411  
D670,699 S \* 11/2012 Sato ..... D14/411

\* cited by examiner

*Primary Examiner* — Austin Murphy

(74) *Attorney, Agent, or Firm* — NSIP Law

(57) **CLAIM**

The ornamental design for a stylus, as shown and described.

**DESCRIPTION**

FIG. 1 is a front perspective view of a stylus;  
FIG. 2 is a front view of the stylus of FIG. 1;  
FIG. 3 is a rear view of the stylus of FIG. 1;  
FIG. 4 is a left-side view of the stylus of FIG. 1;  
FIG. 5 is a right-side view of the stylus of FIG. 1;  
FIG. 6 is a top plan view of the stylus of FIG. 1;  
FIG. 7 is a bottom plan view of the stylus of FIG. 1;  
FIG. 8 is an exploded bottom perspective view of the stylus of FIG. 1; and,  
FIG. 9 is a front perspective view of the bottom portion of the stylus of FIG. 1 shown separately for ease of illustration.  
Features shown in broken lines in FIGS. 1, 4, 5, 6, and 8 form no part of the claimed design.

**1 Claim, 6 Drawing Sheets**

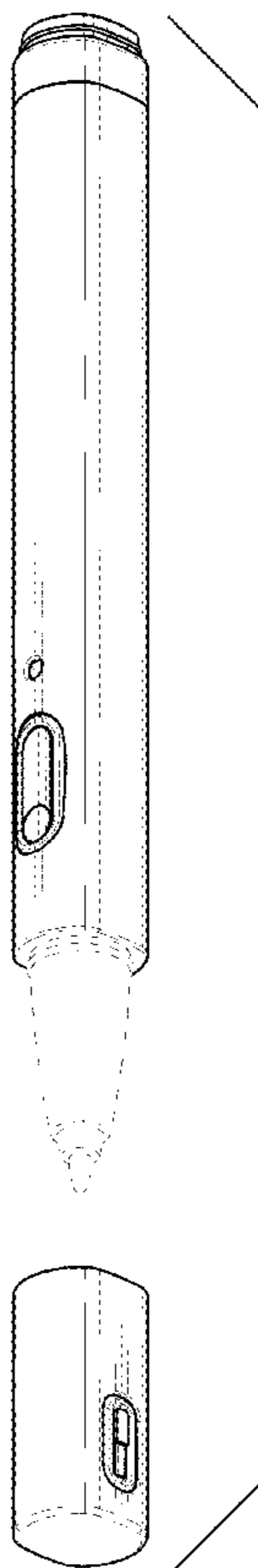


FIG. 1

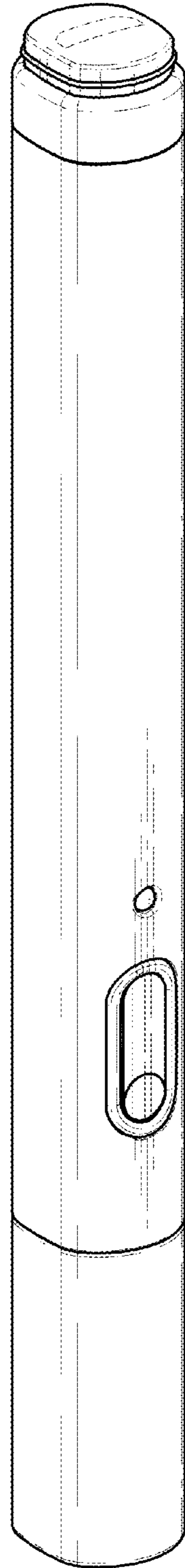


FIG. 2

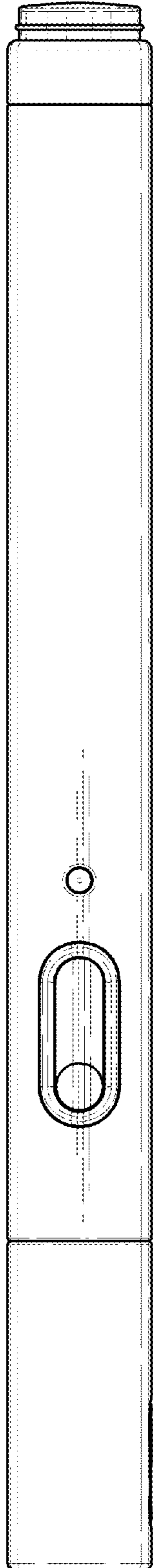


FIG. 3

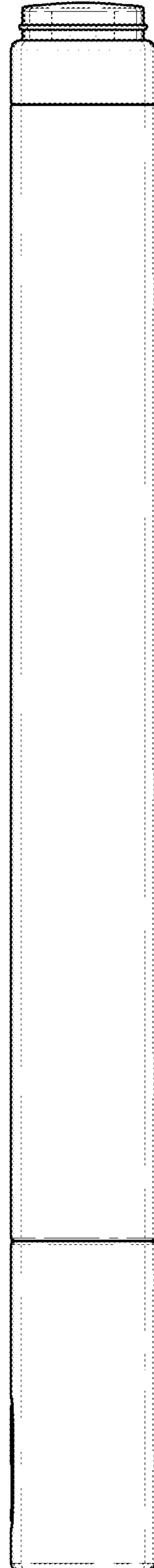


FIG. 4

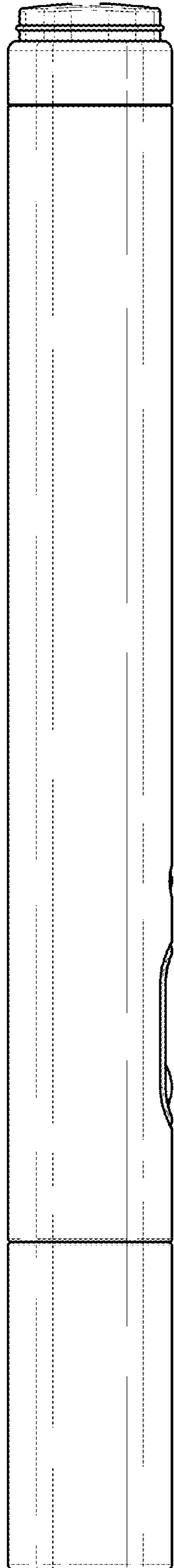


FIG. 5

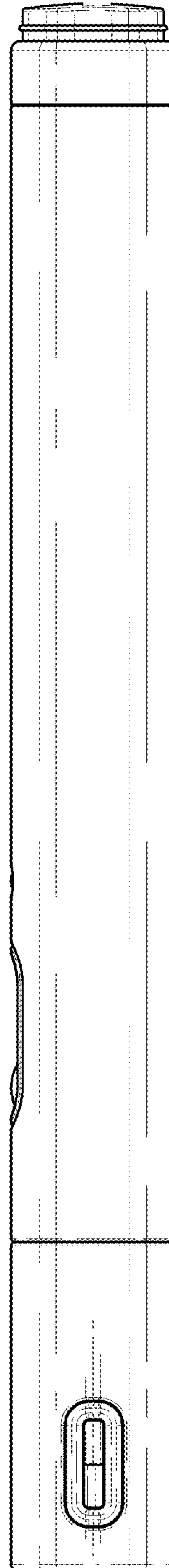


FIG. 6

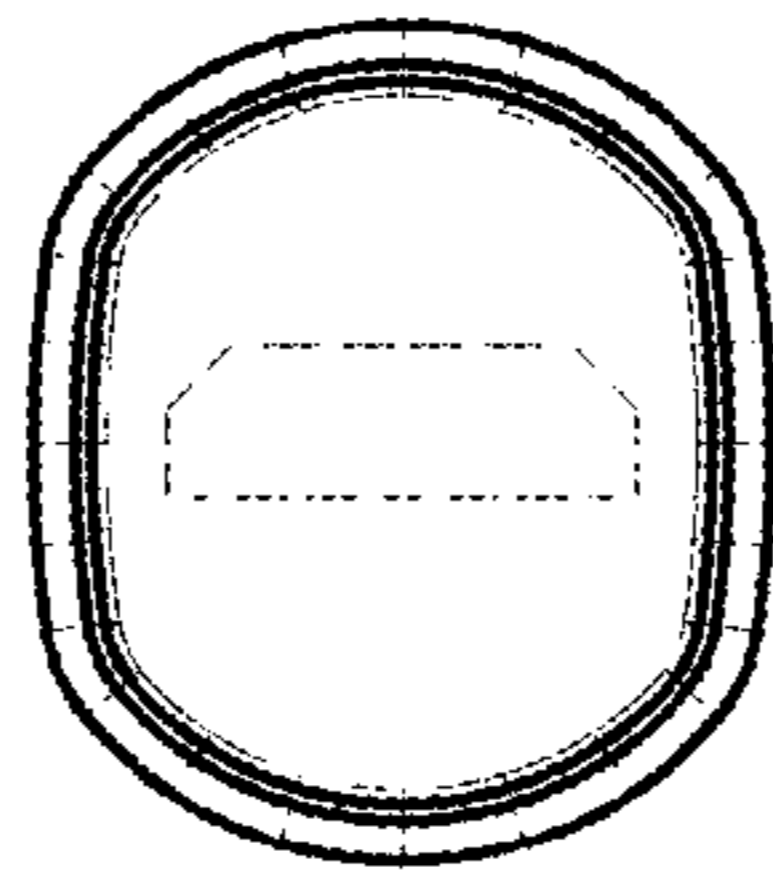


FIG. 7

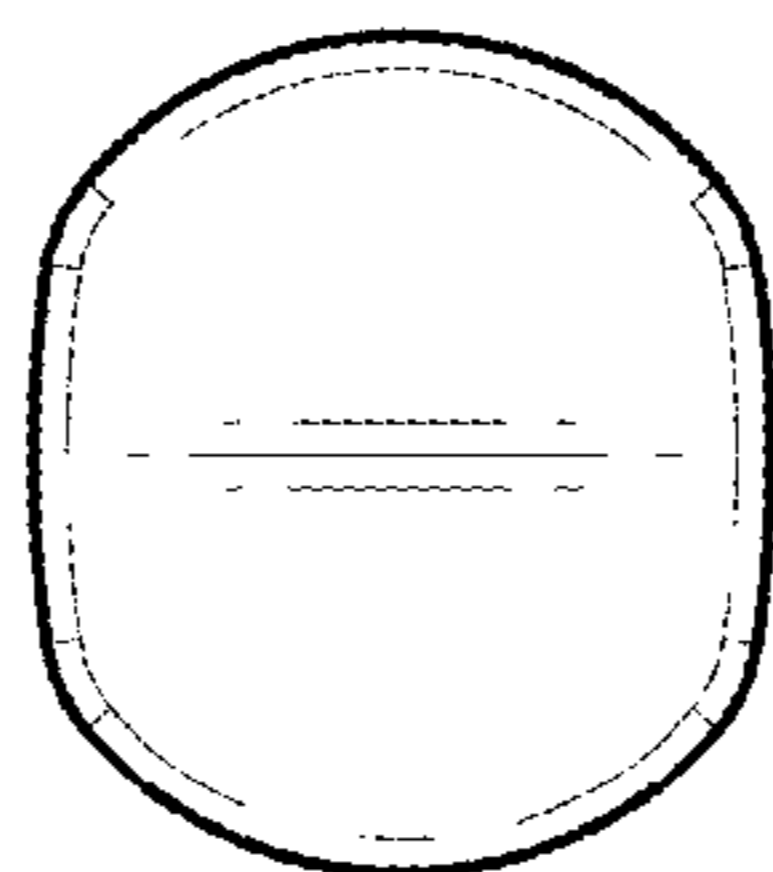


FIG. 8

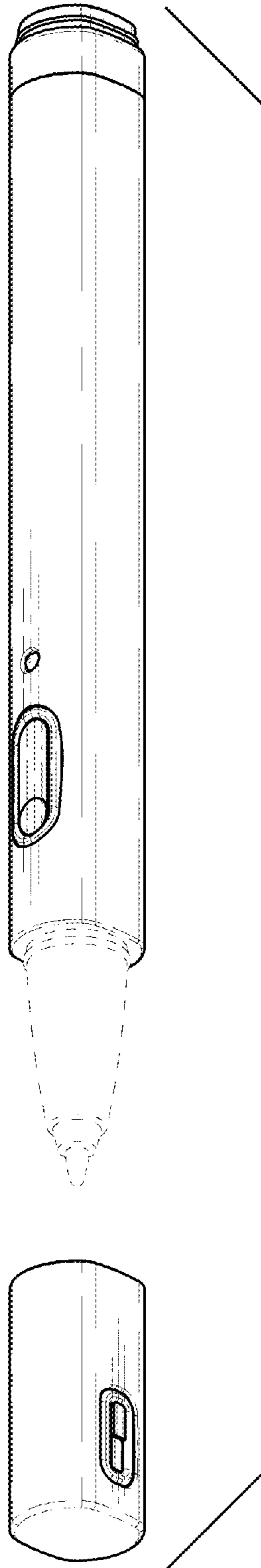


FIG. 9

