



US00D681037S

(12) **United States Design Patent**
Hashi

(10) **Patent No.:** **US D681,037 S**

(45) **Date of Patent:** **** Apr. 30, 2013**

(54) **ELECTRONIC PEN**

(71) Applicant: **Panasonic Corporation**, Osaka (JP)

(72) Inventor: **Hideyuki Hashi**, Osaka (JP)

(73) Assignee: **Panasonic Corporation**, Osaka (JP)

(**) Term: **14 Years**

(21) Appl. No.: **29/434,373**

(22) Filed: **Oct. 12, 2012**

(30) **Foreign Application Priority Data**

Jul. 26, 2012 (JP) 2012-017750
Jul. 26, 2012 (JP) 2012-017751

(51) **LOC (9) Cl.** **14-02**

(52) **U.S. Cl.**
USPC **D14/411**

(58) **Field of Classification Search** D8/61;
D19/54-58, 41-51, 36, 35; D14/411, 228,
D14/225; 708/107; 401/99, 55, 243, 213,
401/209, 208, 202, 197, 196, 195, 192, 104-107,
401/100; 358/424, 478; 346/139 C;
178/19.01-19.04

See application file for complete search history.

(56) **References Cited**

U.S. PATENT DOCUMENTS

D322,064 S * 12/1991 Chowdhree et al. D14/411
D352,703 S * 11/1994 Mitcham et al. D14/411
D574,381 S * 8/2008 Chan D14/431
D583,374 S * 12/2008 Otsuka D14/480.5
D584,355 S * 1/2009 Hidaka et al. D19/51
D595,719 S 7/2009 Hu

D613,742 S * 4/2010 Avery et al. D14/411
D619,581 S * 7/2010 Tani et al. D14/411
D642,176 S * 7/2011 Shi et al. D14/411
D642,177 S * 7/2011 Shi et al. D14/411
D646,277 S * 10/2011 Kim et al. D14/411
2005/0083315 A1* 4/2005 Pei 345/179

* cited by examiner

Primary Examiner — Austin Murphy

(74) *Attorney, Agent, or Firm* — Panasonic Patent Center

(57) **CLAIM**

I claim the ornamental design for an electronic pen, as shown and described.

DESCRIPTION

FIG. 1 is a perspective view of a first embodiment of an electronic pen of the present invention; FIG. 2 is a front view thereof; FIG. 3 is a rear view thereof; FIG. 4 is a first side view thereof; FIG. 5 is a second side view thereof; FIG. 6 is a top view thereof; FIG. 7 is a bottom view thereof; FIG. 8 is a perspective view of a second embodiment of an electronic pen of the present invention; FIG. 9 is a front view thereof; FIG. 10 is a rear view thereof; FIG. 11 is a first side view thereof; FIG. 12 is a second side view thereof; FIG. 13 is a top view thereof; and, FIG. 14 is a bottom view thereof.

The broken line showing of electronic pen is included for the purpose of illustrating environment and forms no part of the claimed design. Additionally, the unevenly broken lines in the drawings define the limits of the claimed design.

1 Claim, 14 Drawing Sheets

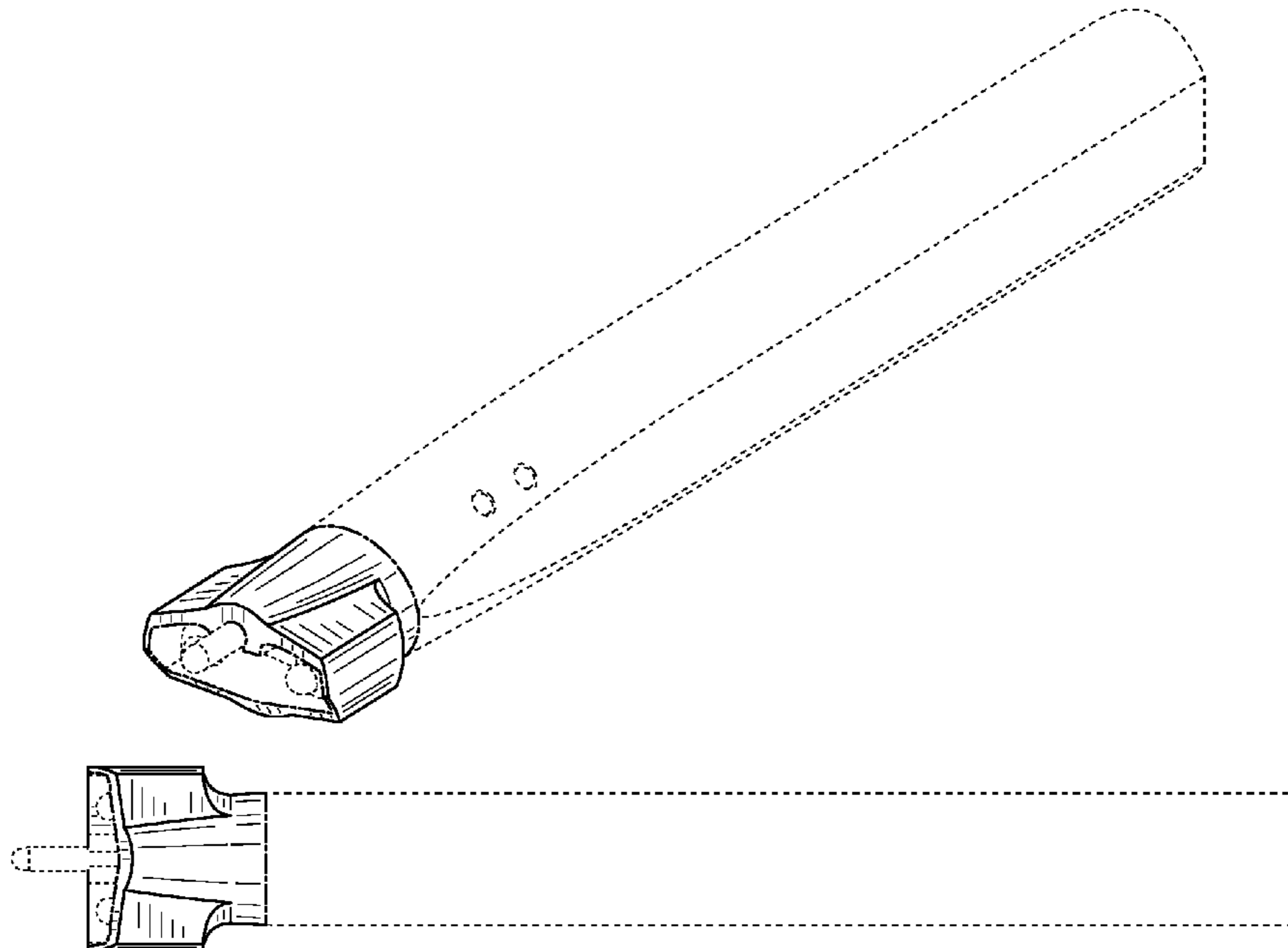


FIG. 1

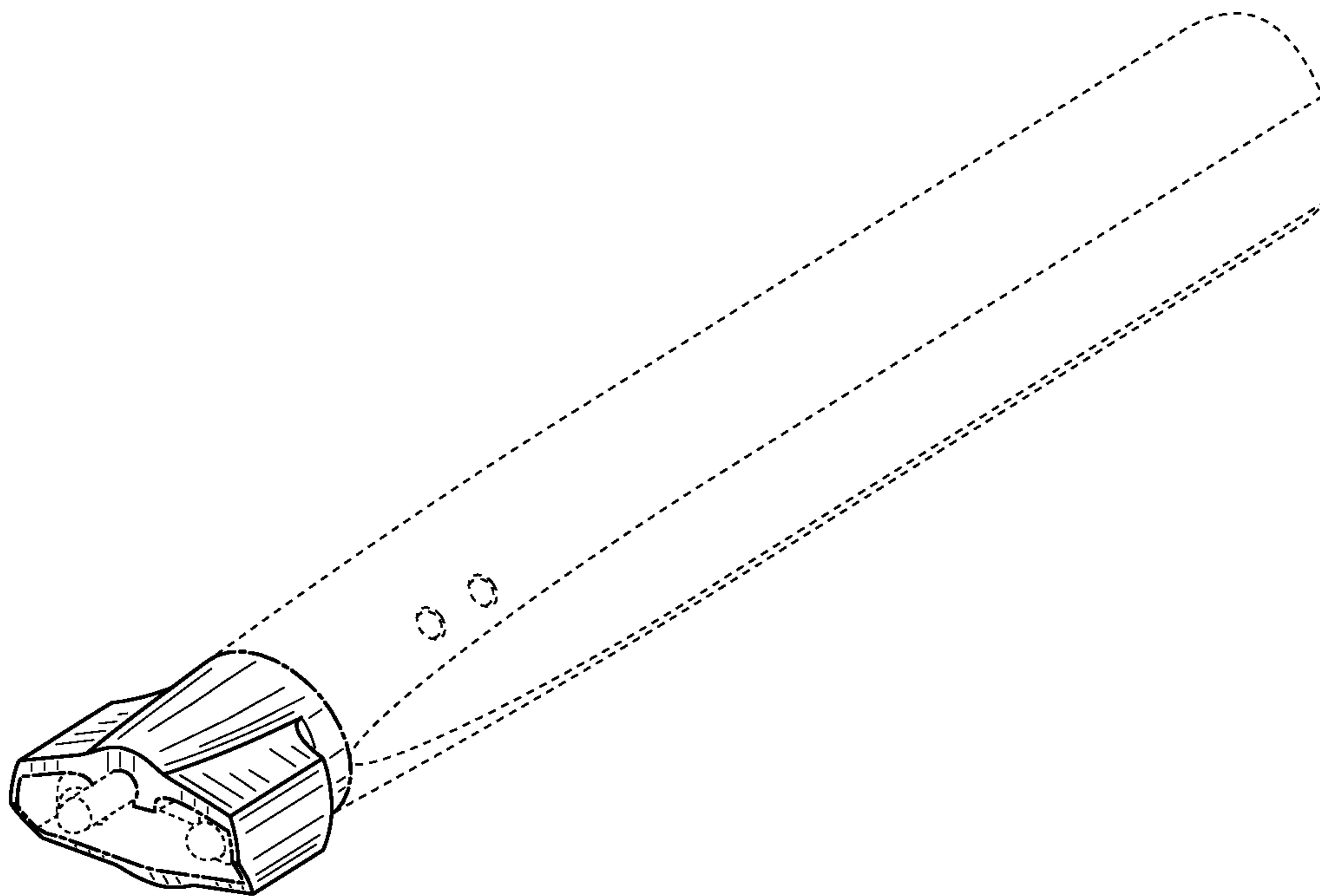


FIG. 2

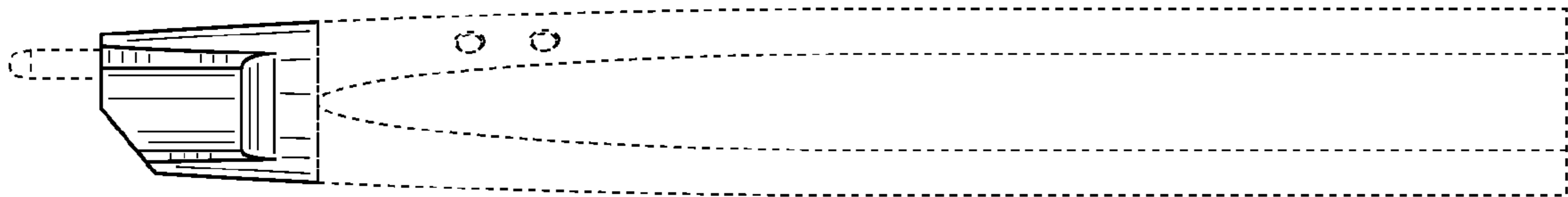


FIG. 3

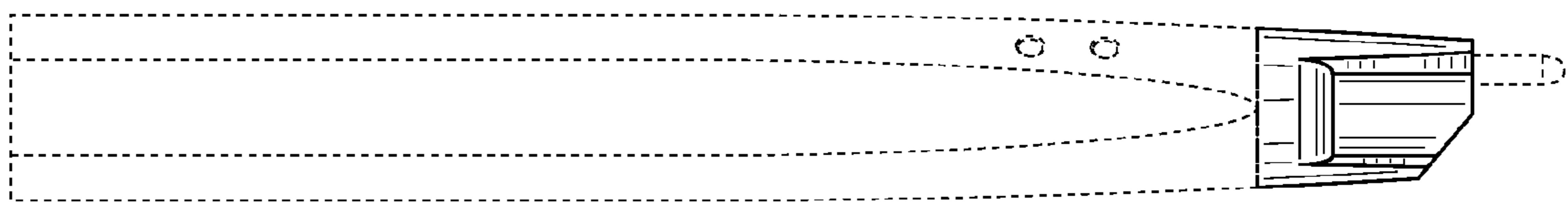


FIG. 4

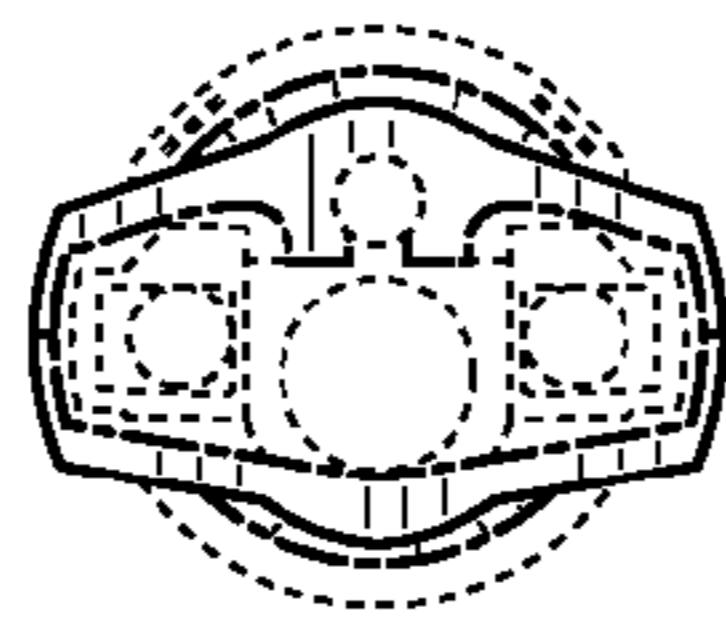


FIG. 5

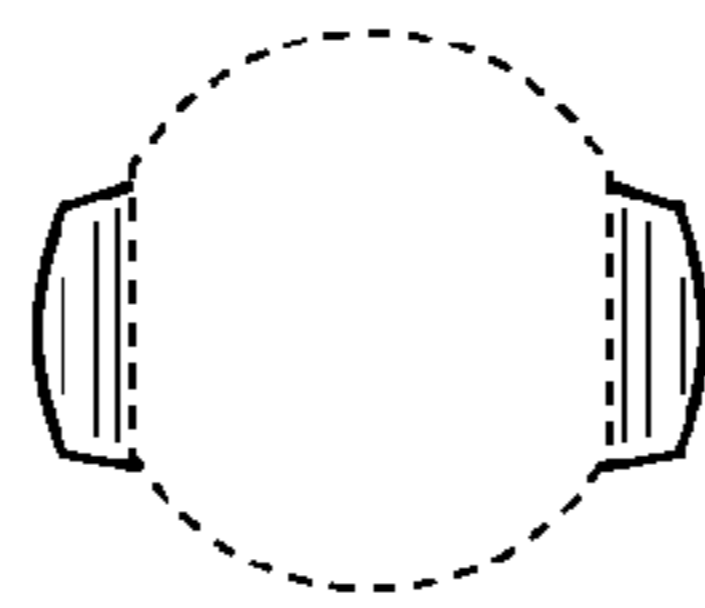


FIG. 6



FIG. 7



FIG. 8

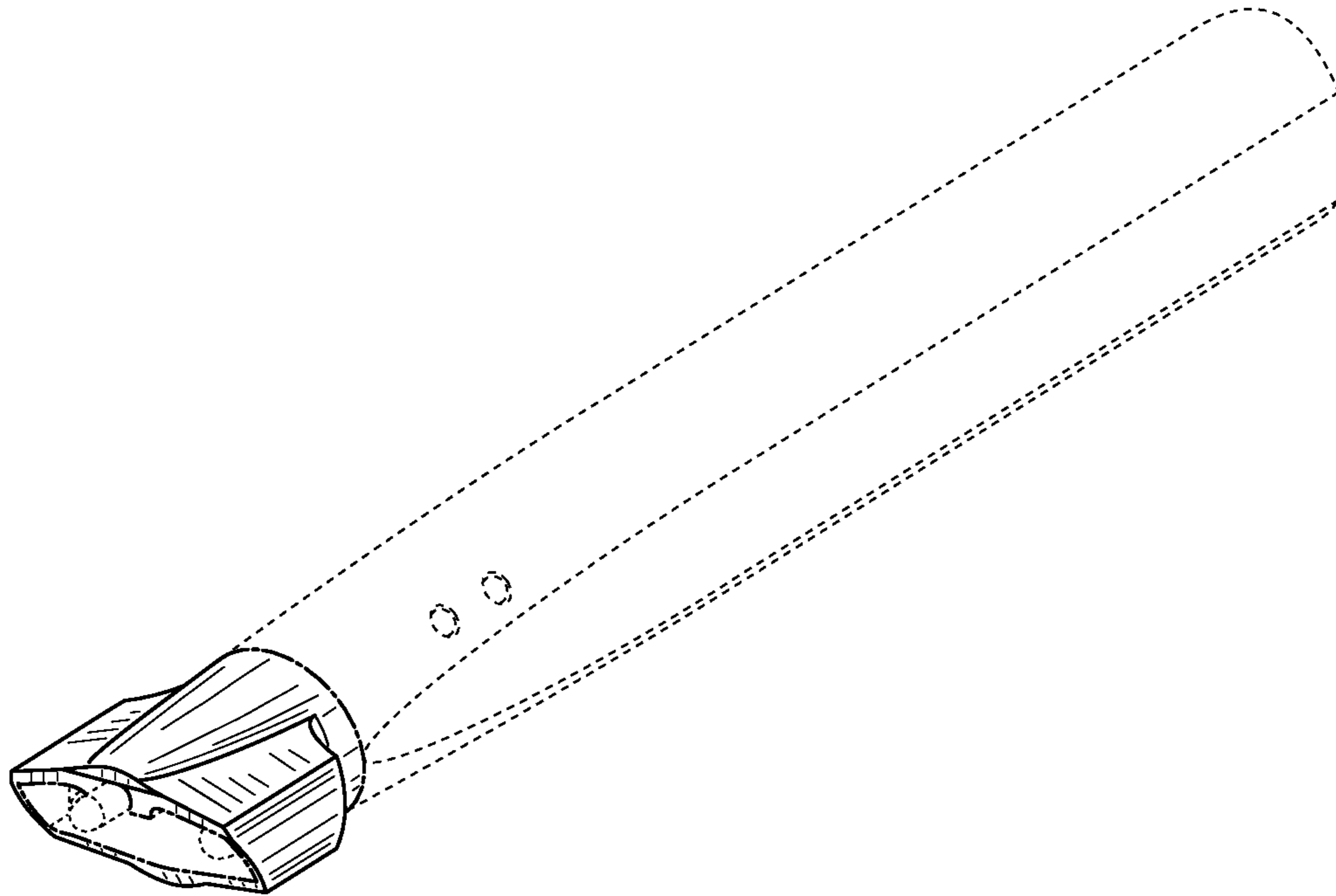


FIG. 9

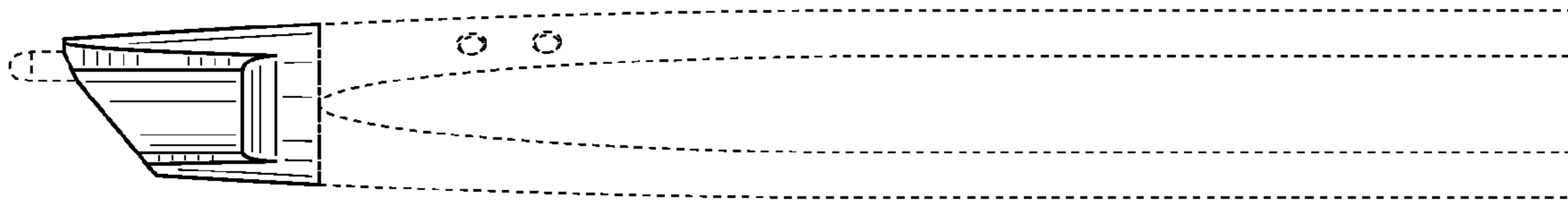


FIG. 10

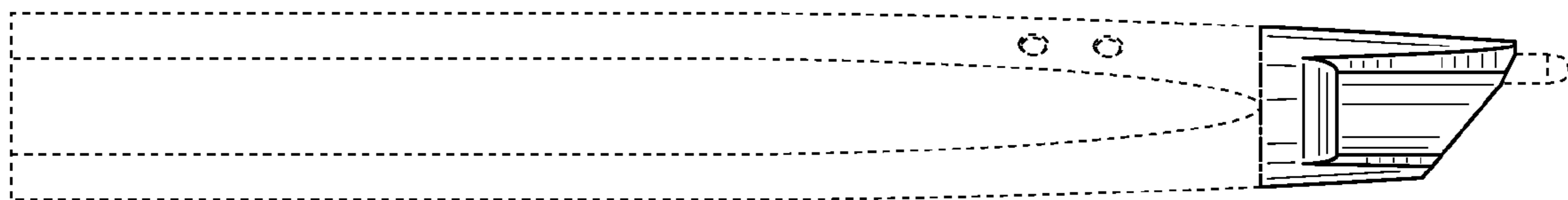


FIG. 11

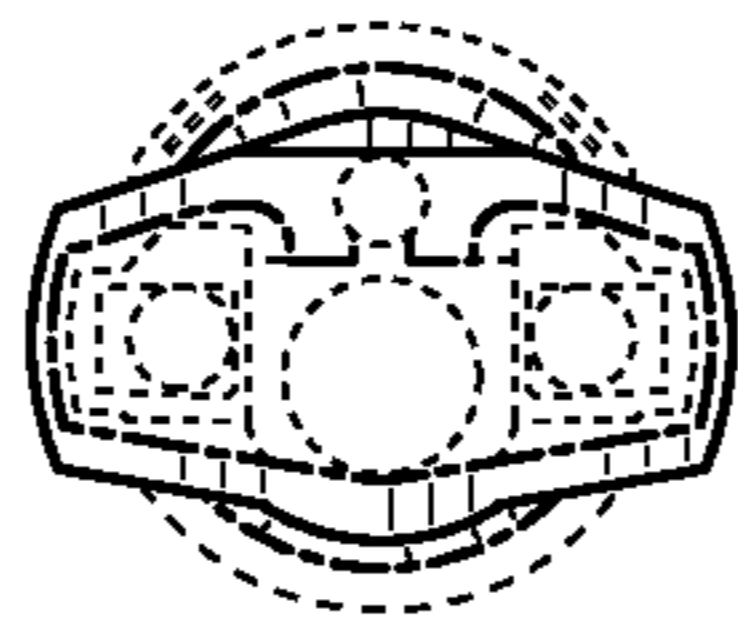


FIG. 12

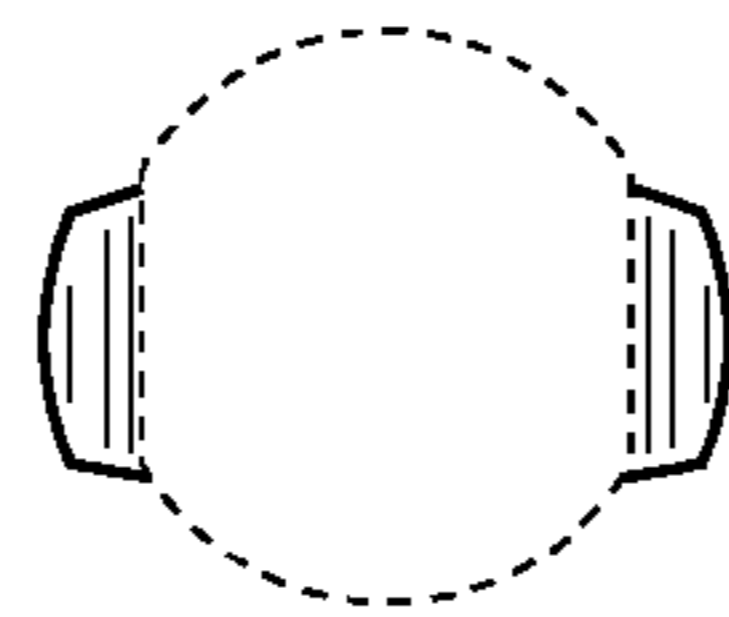


FIG. 13

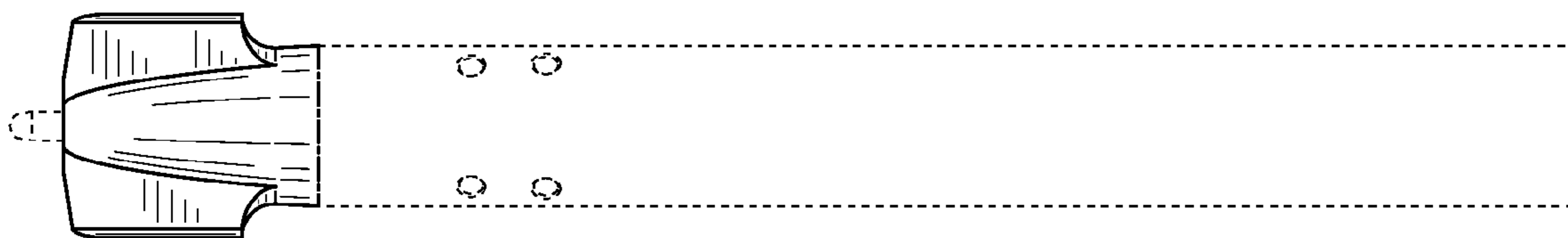


FIG. 14

