



US00D681029S

(12) **United States Design Patent**
Richter

(10) **Patent No.:** **US D681,029 S**

(45) **Date of Patent:** **** Apr. 30, 2013**

(54) **APPARATUS HOLDER SUCTION MOUNT**

D638,008 S * 5/2011 Richter D14/253
D640,247 S * 6/2011 Baumann et al. D14/253
D645,462 S * 9/2011 Choi D14/253

(76) Inventor: **Harald Richter**, Engelbrand (DE)

* cited by examiner

(**) Term: **14 Years**

Primary Examiner — Raphael Barkai

Assistant Examiner — Randall Gholson

(21) Appl. No.: **29/428,572**

(74) *Attorney, Agent, or Firm* — Klaus J. Bach

(22) Filed: **Aug. 1, 2012**

(51) **LOC (9) Cl.** **14-03**

(52) **U.S. Cl.**
USPC **D14/253**

(58) **Field of Classification Search** D14/140,
D14/217, 224, 224.1, 229, 240, 243, 250–253,
D14/299, 344, 434, 447, 451–452, 483, 496;
D13/108; 361/679.41; 439/534; 320/115,
320/116, 107; D8/355, 363; D12/415, 418;
379/449, 455, 165; 248/122.1, 127, 157,
248/205.8, 206.2, 279.1, 205.5, 309.1, 309.3,
248/352; D3/201, 218, 269, 273, 301; D11/79;
63/26

See application file for complete search history.

(57) **CLAIM**

The ornamental design for an apparatus holder suction mount, as shown and described.

DESCRIPTION

FIG. 1 is a perspective view of an apparatus holder suction mount;
FIG. 2 is a front view of the apparatus holder suction mount shown in FIG. 1,
FIG. 3 is a right side view of the apparatus holder suction mount shown in FIG. 2,
FIG. 4 is a bottom view of the apparatus holder suction mount shown in FIG. 2,
FIG. 5 is a left side view of the apparatus holder suction mount shown in FIG. 2,
FIG. 6 is a bottom end view of the apparatus holder suction mount shown in FIG. 2; and,
FIG. 7 is a top end view of the apparatus holder suction mount as shown in FIG. 2.

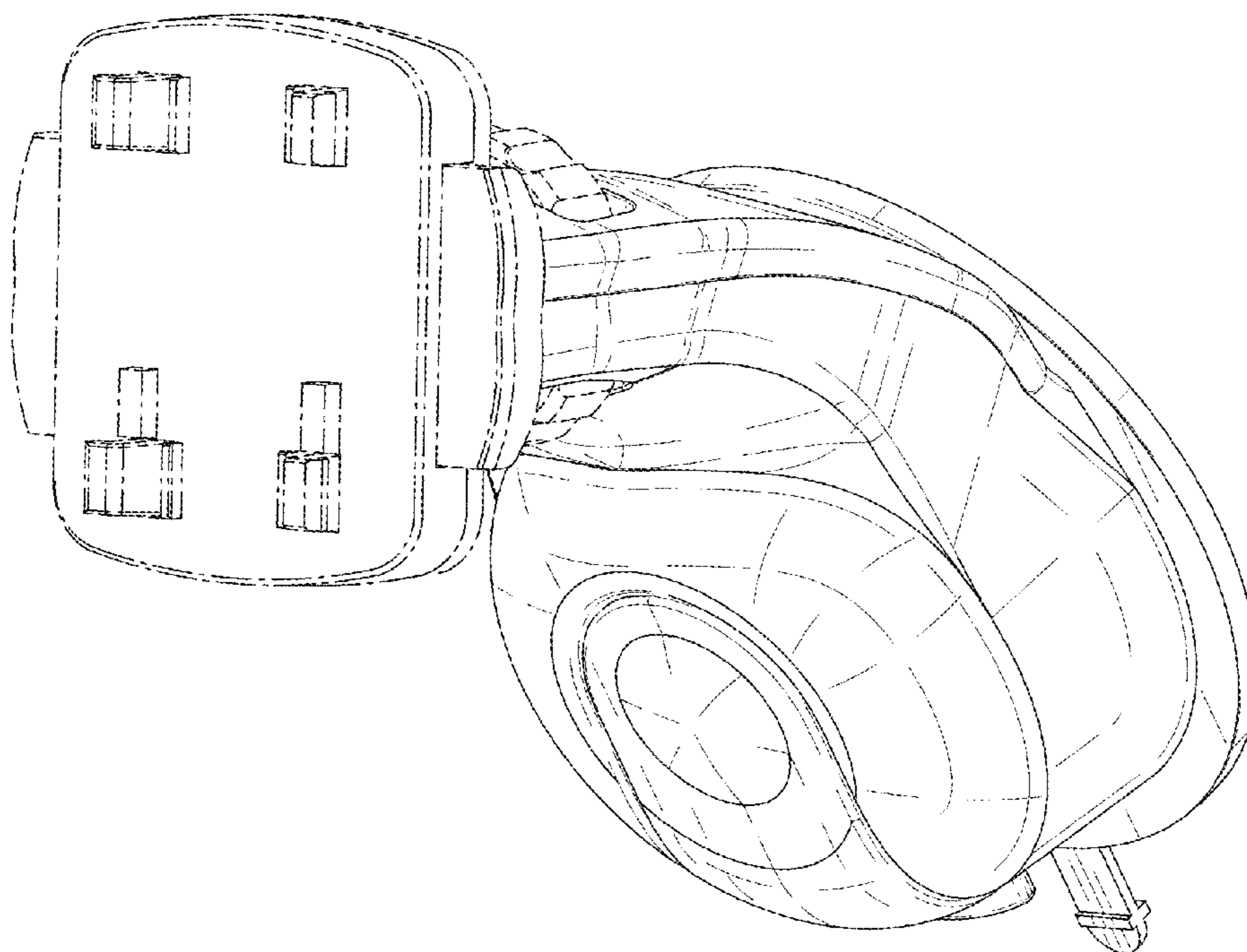
The apparatus holder suction mount is used for supporting a holder for example for an electronic device such as cell phone or a tablet on a smooth surface such as a windshield of a motor vehicle.

1 Claim, 7 Drawing Sheets

(56) **References Cited**

U.S. PATENT DOCUMENTS

D406,591 S * 3/1999 Richter D14/253
D533,054 S * 12/2006 Brassard D8/373
D602,025 S * 10/2009 Richter D14/447
D606,065 S * 12/2009 Rihu D14/253
D613,731 S * 4/2010 Yeo D14/253
D619,586 S * 7/2010 Richter D14/447
D619,587 S * 7/2010 Richter D14/447
D626,541 S * 11/2010 Kim et al. D14/253
D627,624 S * 11/2010 Brassard D8/363



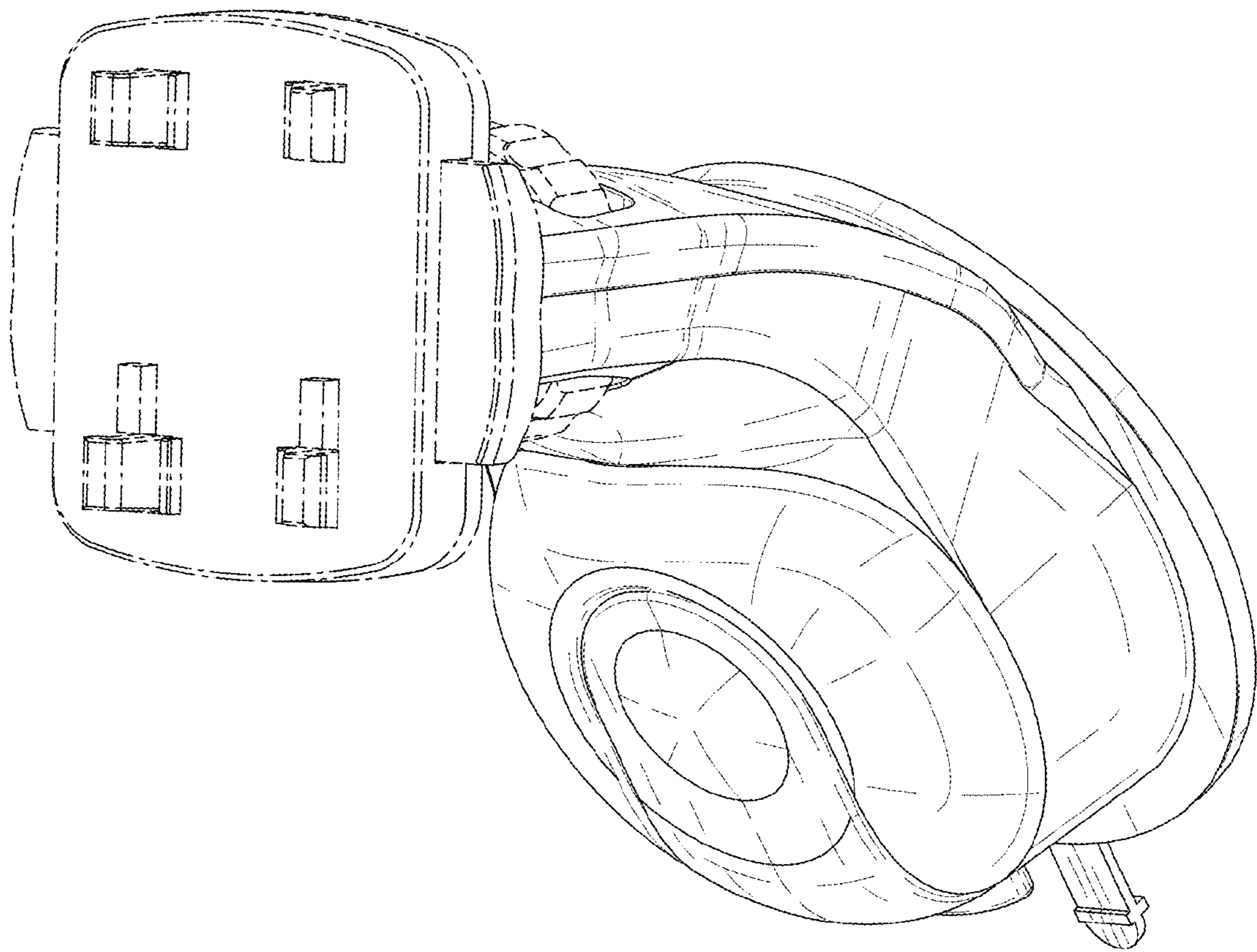


FIG. 1

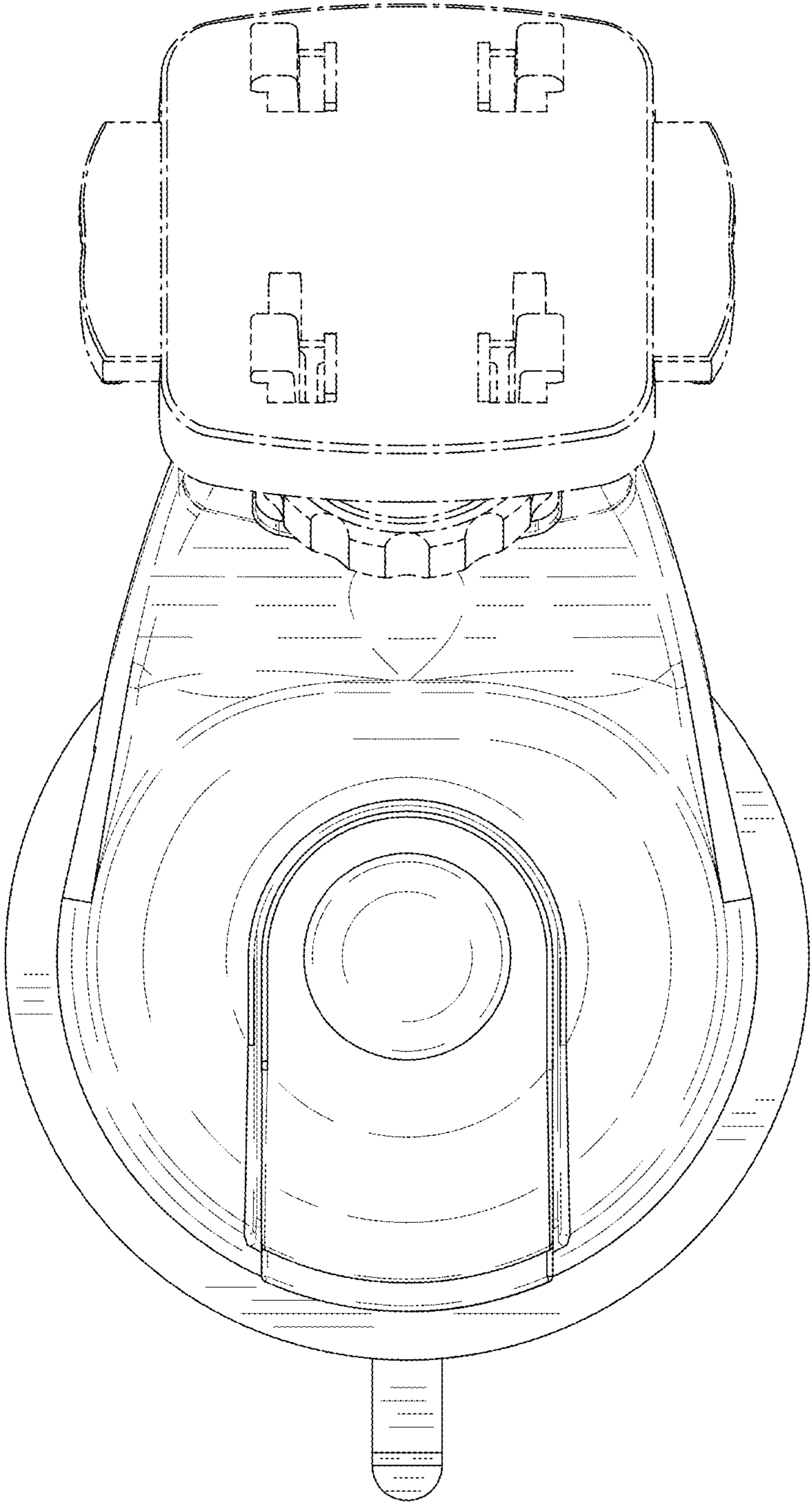


FIG. 2

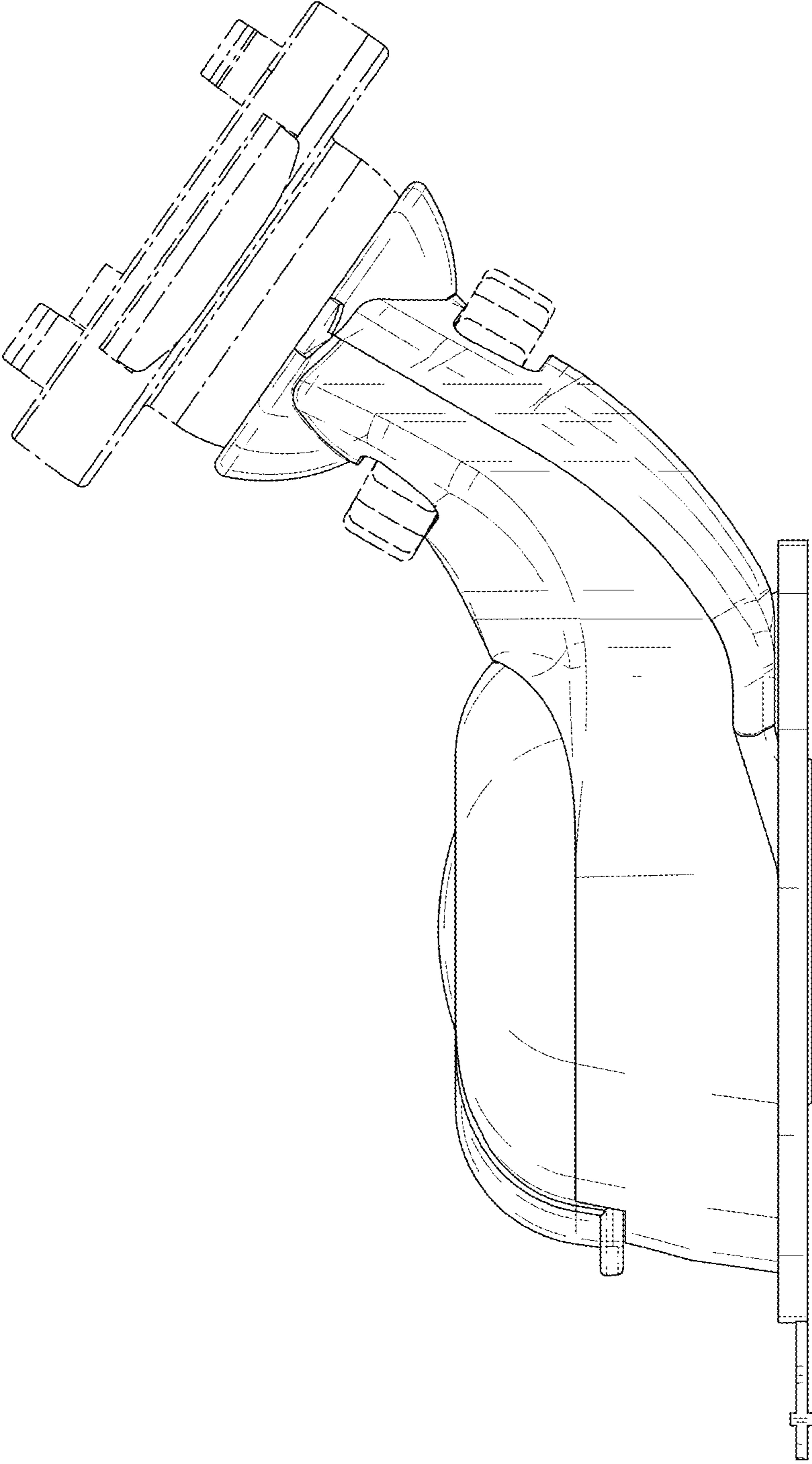


FIG. 3

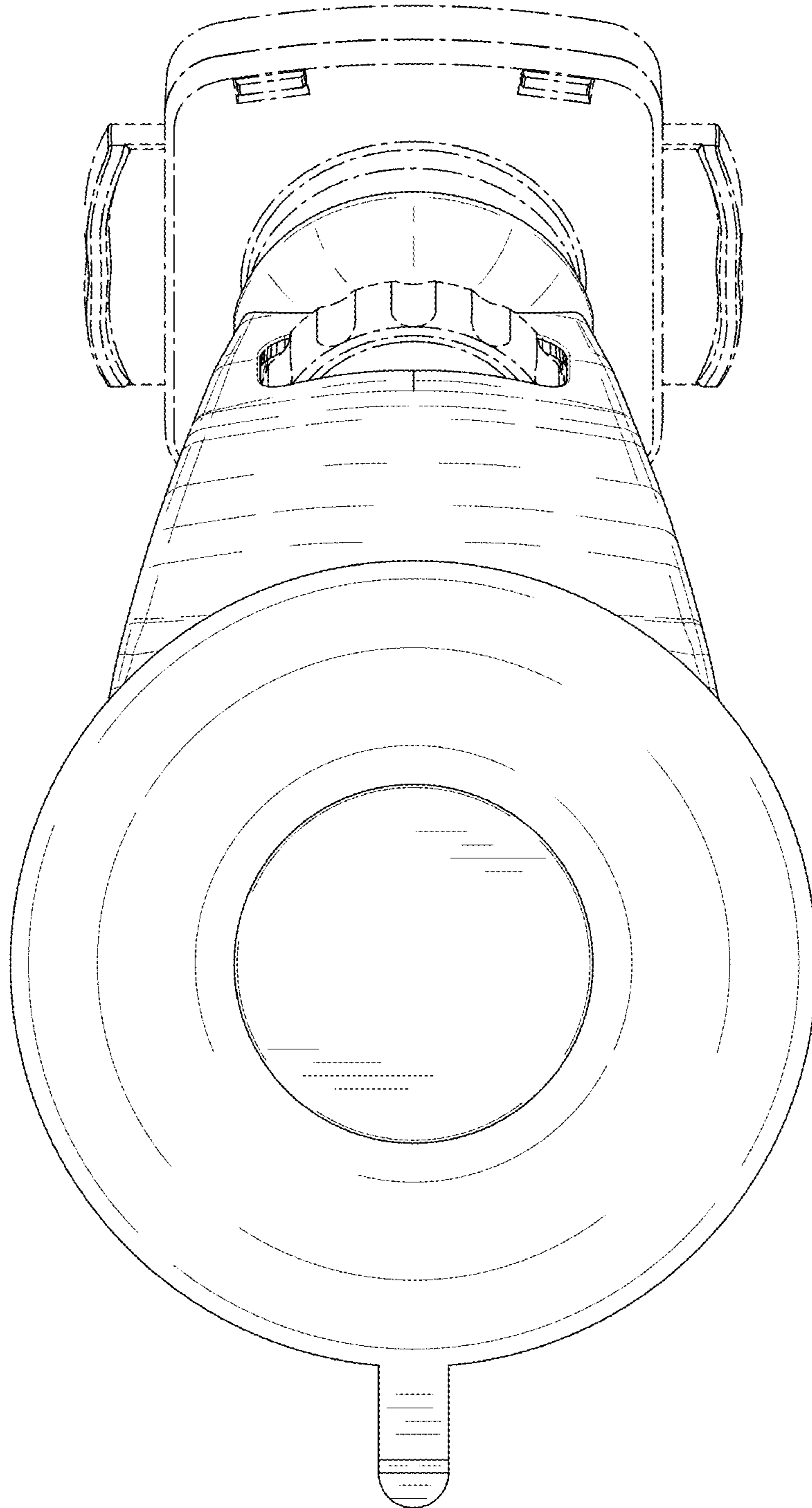


FIG. 4

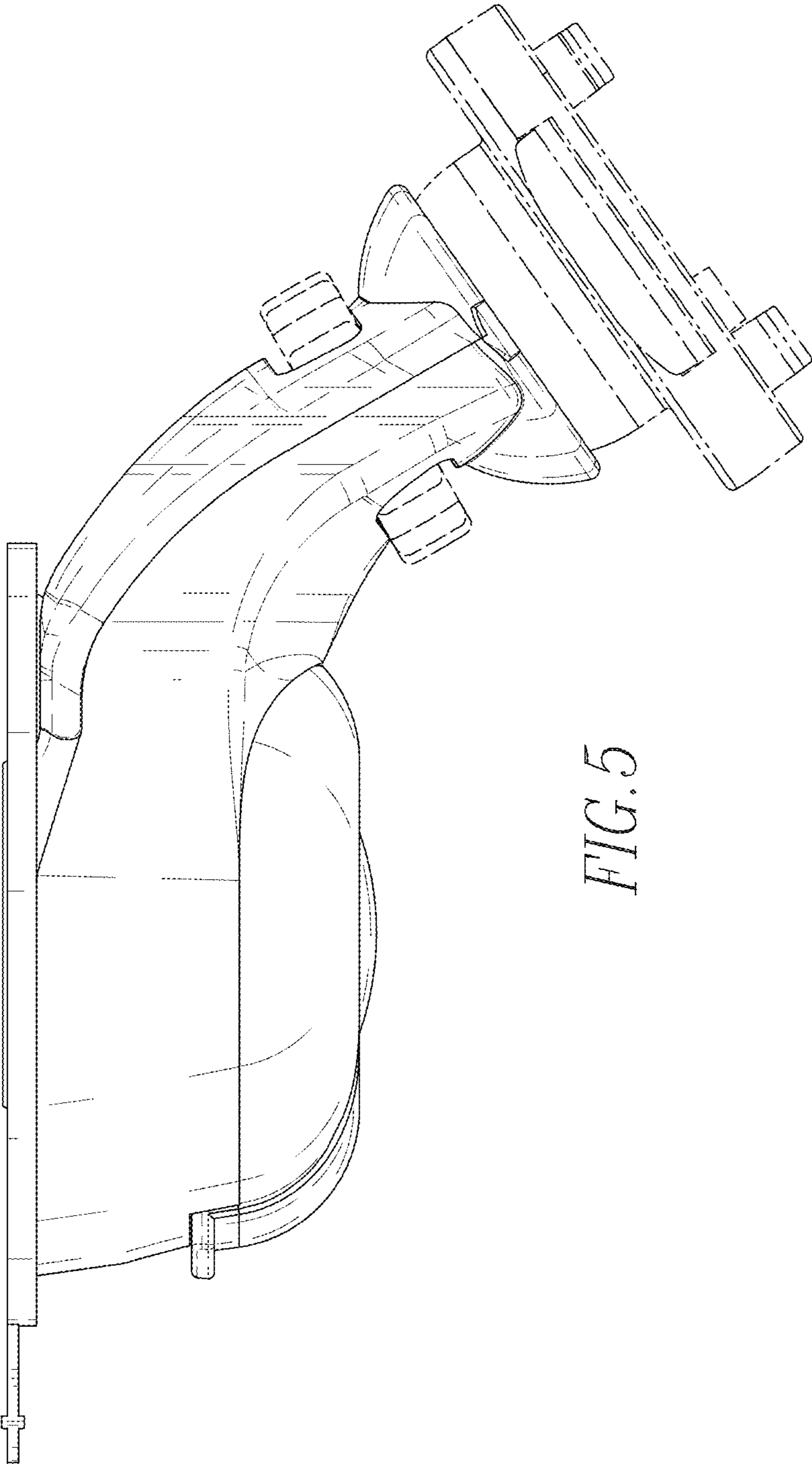


FIG. 5

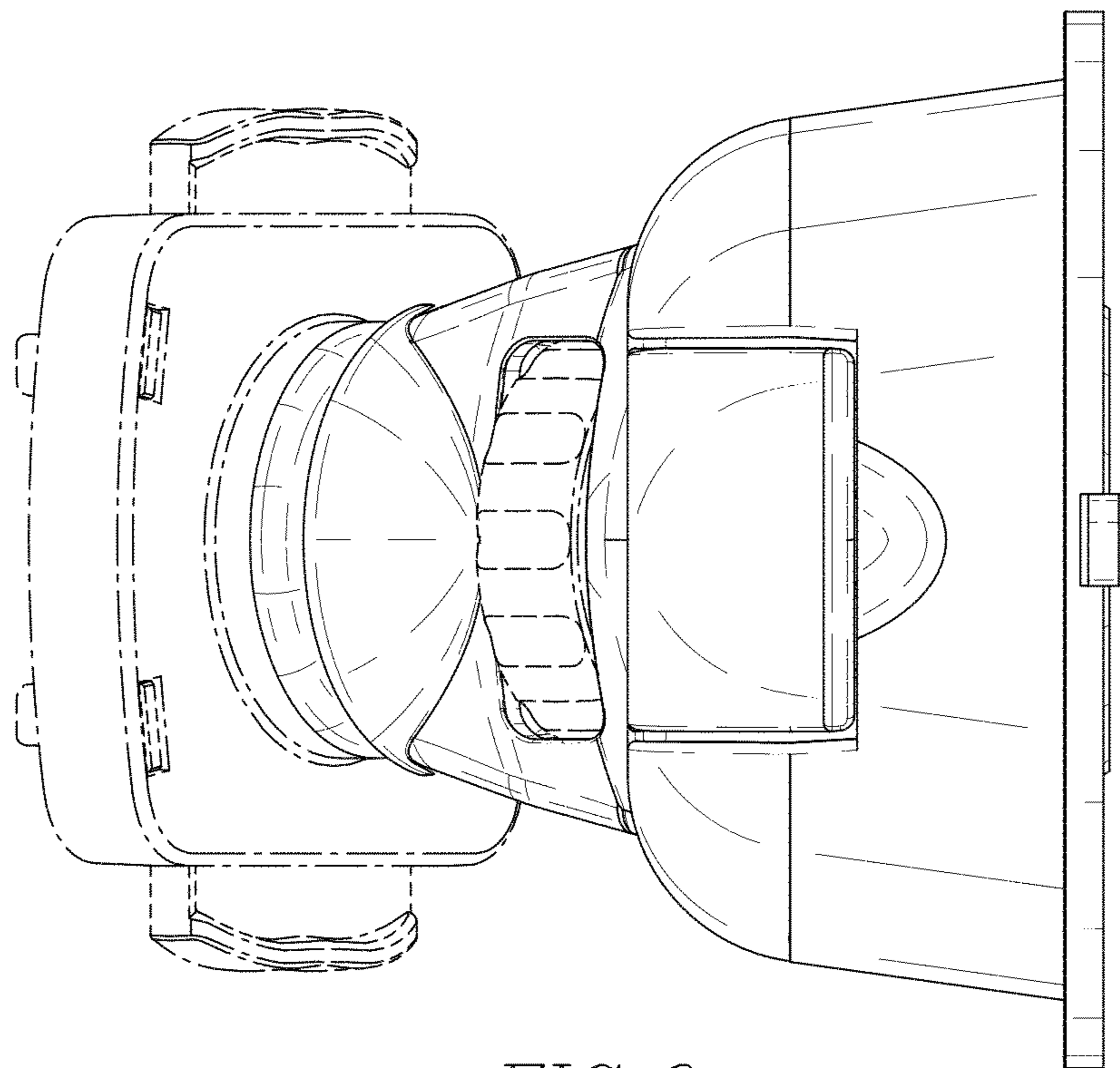


FIG. 6

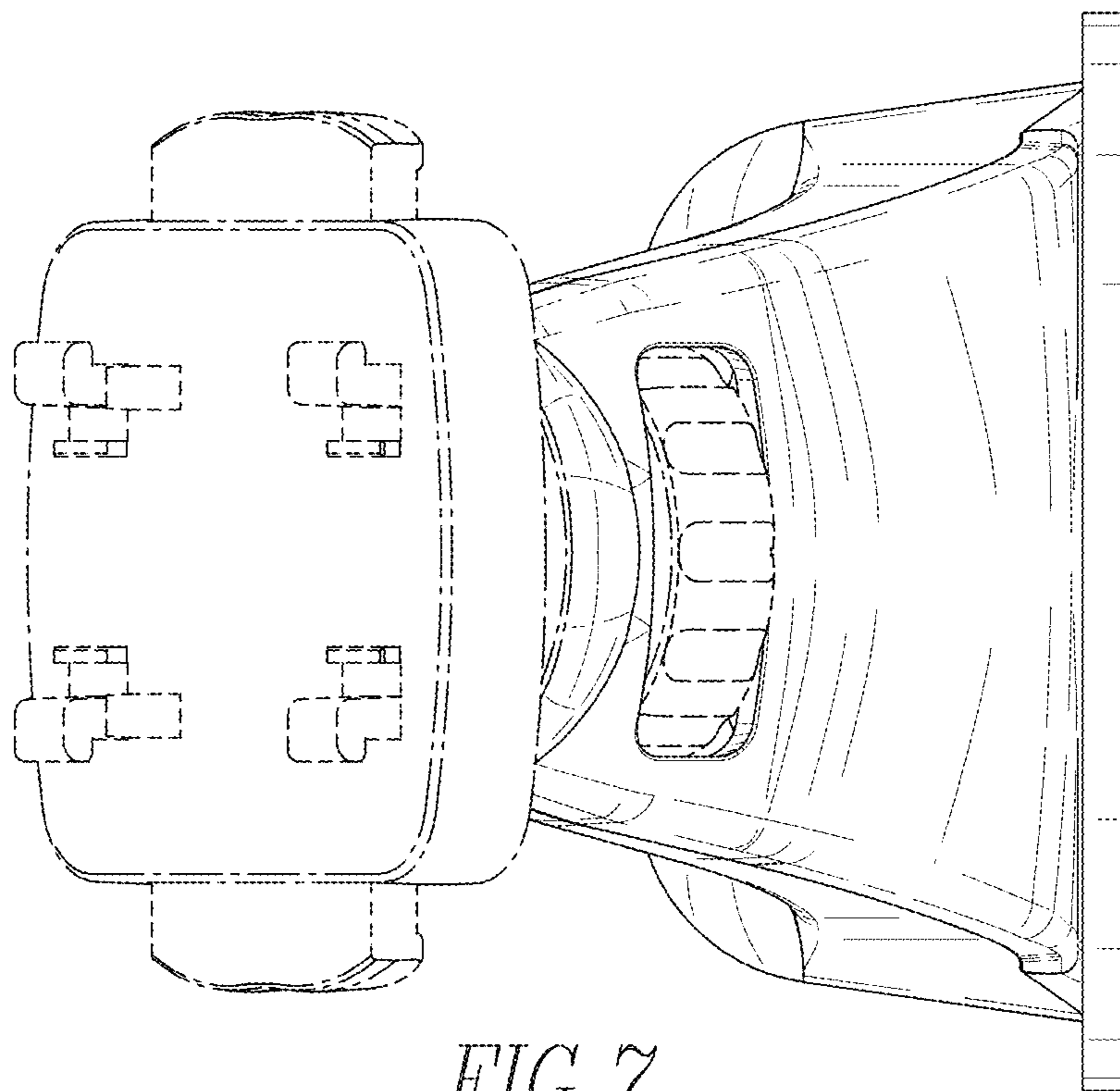


FIG. 7