



US00D681028S

(12) **United States Design Patent**
Richter

(10) **Patent No.:** **US D681,028 S**

(45) **Date of Patent:** **** Apr. 30, 2013**

(54) **SUCTION MOUNT APPARATUS HOLDER**

(76) Inventor: **Harald Richter**, Engelbrand (DE)

(**) Term: **14 Years**

(21) Appl. No.: **29/428,568**

(22) Filed: **Aug. 1, 2012**

(51) **LOC (9) Cl.** **14-03**

(52) **U.S. Cl.**
USPC **D14/253**

(58) **Field of Classification Search** D14/140,
D14/217, 224, 224.1, 229, 240, 243, 250–253,
D14/299, 344, 434, 447, 451–452, 483, 496;
D13/108; 361/679.41; 439/534; 320/115,
320/116, 107; D8/355, 363; D12/415, 418;
379/449, 455, 165; 248/122.1, 127, 157,
248/205.8, 206.2, 279.1, 205.5, 309.1, 309.3,
248/352; D3/201, 218, 269, 273, 301; D11/79;
63/26

See application file for complete search history.

(56) **References Cited**

U.S. PATENT DOCUMENTS

D553,958 S *	10/2007	Brassard	D8/363
7,303,171 B1 *	12/2007	Chen	248/184.1
D566,530 S *	4/2008	Brassard	D8/363
D590,238 S *	4/2009	Richter	D8/363
D592,205 S *	5/2009	O'Brien	D14/253
D613,731 S *	4/2010	Yeo	D14/253
D626,541 S *	11/2010	Kim et al.	D14/253
D627,624 S *	11/2010	Brassard	D8/363
7,850,133 B2 *	12/2010	Carnevali	248/205.5
8,091,843 B2 *	1/2012	Tsai	248/206.2

* cited by examiner

Primary Examiner — Raphael Barkai
Assistant Examiner — Randall Gholson
(74) *Attorney, Agent, or Firm* — Klaus J. Bach

(57) **CLAIM**

The ornamental design for an suction mount apparatus holder, as shown and described.

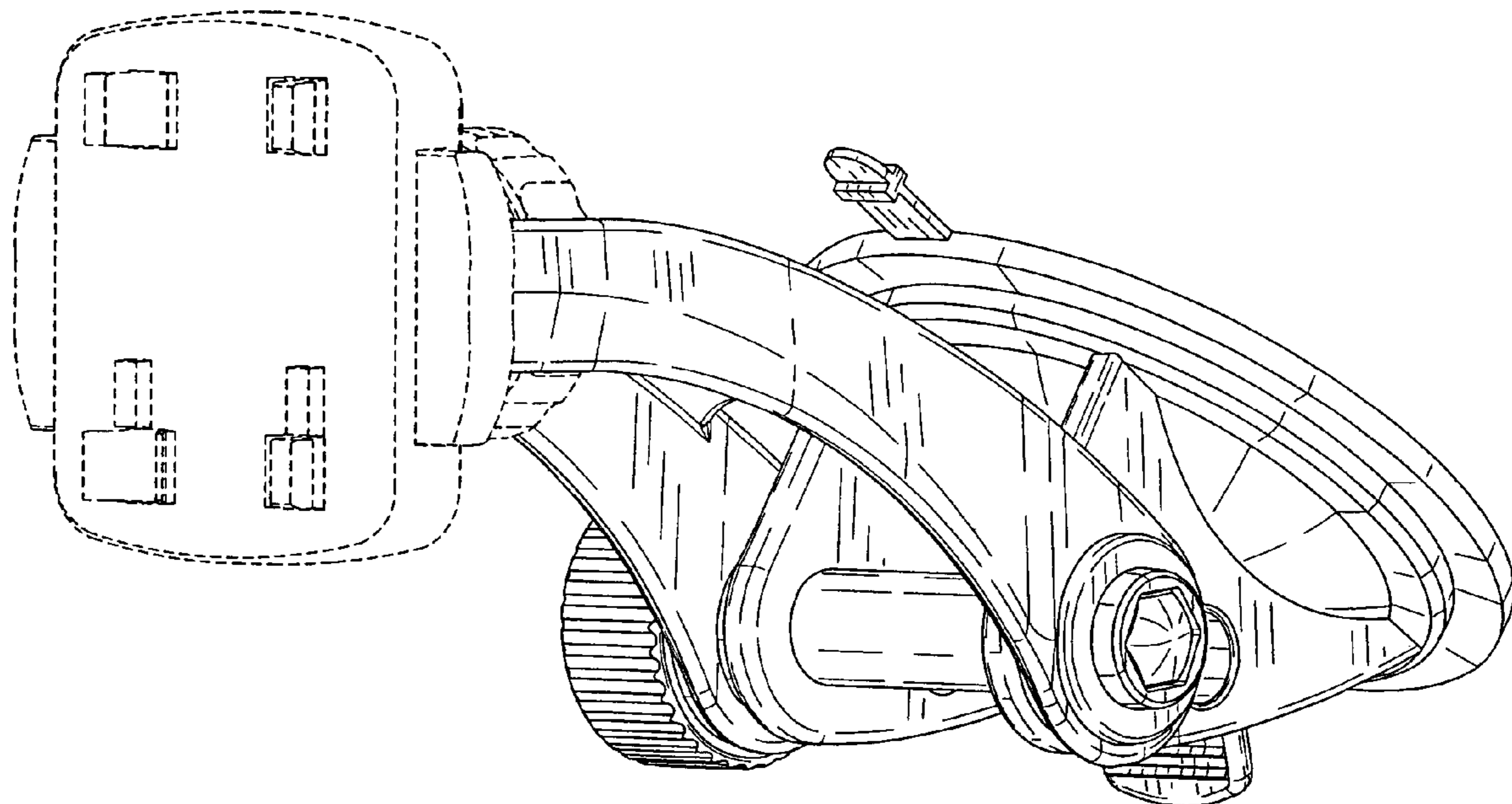
DESCRIPTION

FIG. 1 is a perspective view of an suction mount apparatus holder;
FIG. 2 is a right side view of the suction mount apparatus holder shown in FIG. 1,
FIG. 3 is a bottom end view of the suction mount apparatus holder shown in FIG. 2,
FIG. 4 is a rear view of the suction mount apparatus holder shown in FIG. 2,
FIG. 5 is a top end of the suction mount apparatus holder shown in FIG. 2,
FIG. 6 is a left end view of the suction mount apparatus holder shown in FIG. 2; and,
FIG. 7 is a right end view of the suction mount apparatus holder as shown in FIG. 2.

The suction mount apparatus holder is used for supporting a holder for example for an electronic device such as cell phone or a tablet on a smooth surface such as a windshield of a motor vehicle.

The broken lines are included for the purpose of illustration only and form no part of the claimed design.

1 Claim, 6 Drawing Sheets



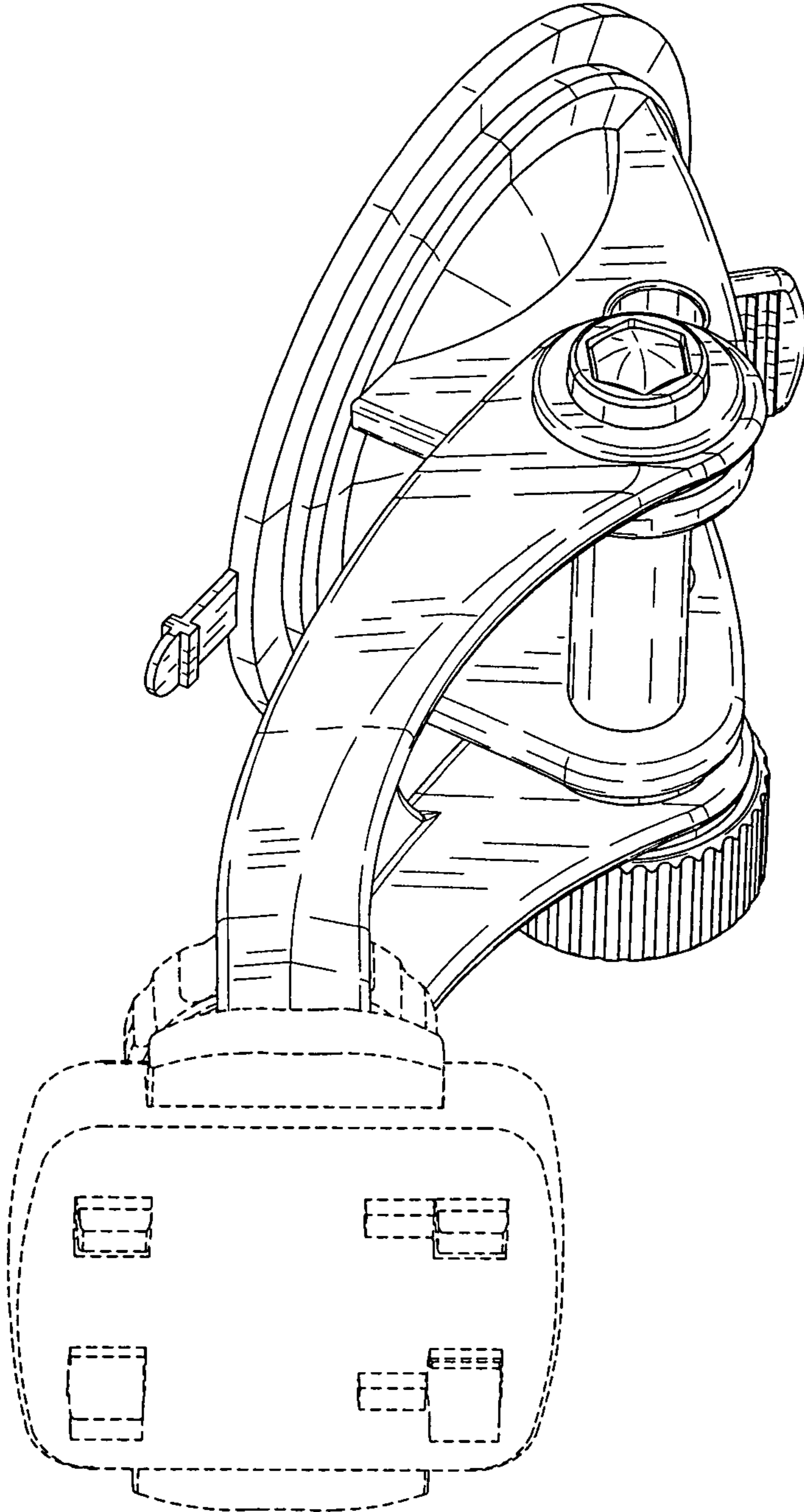


FIG. 1

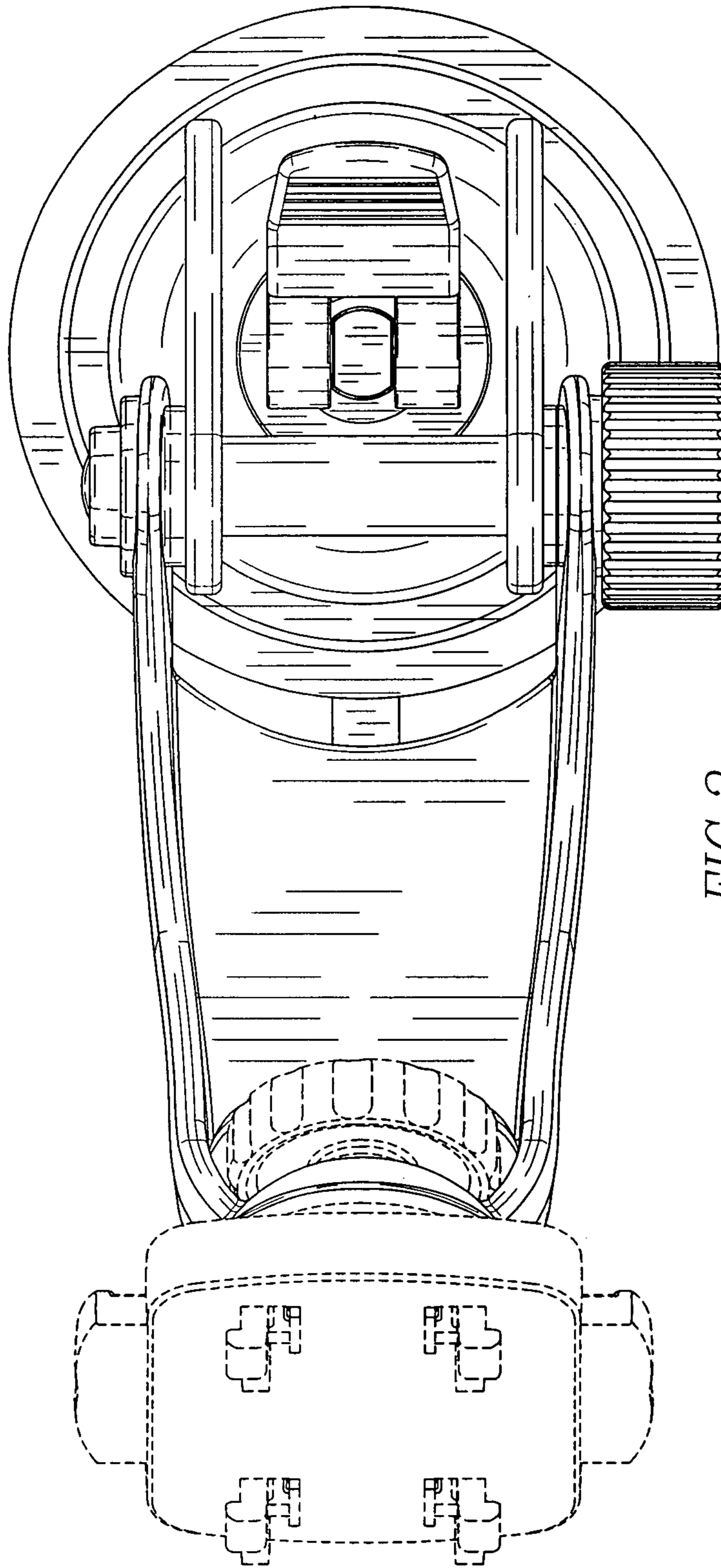


FIG. 2

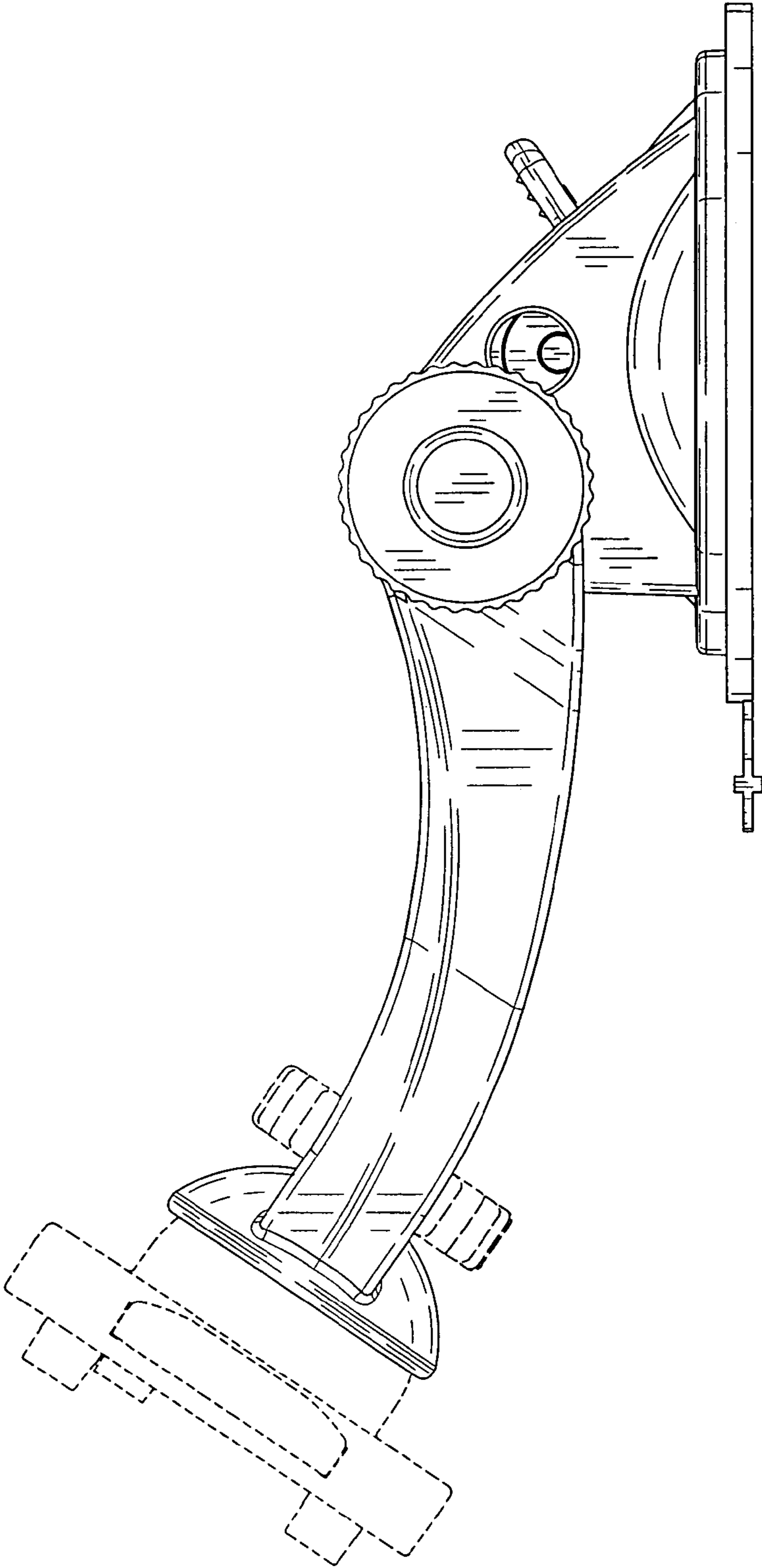


FIG. 3

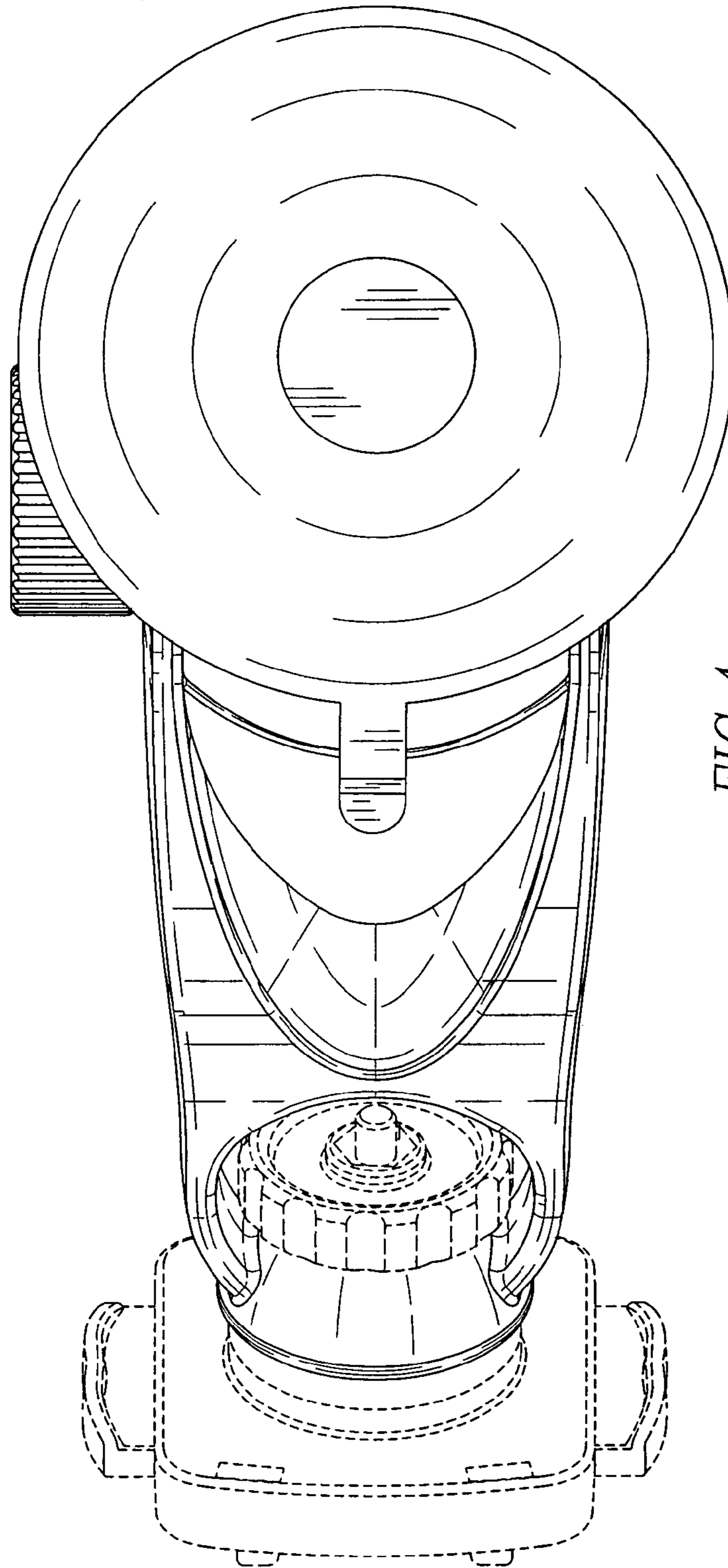


FIG. 4

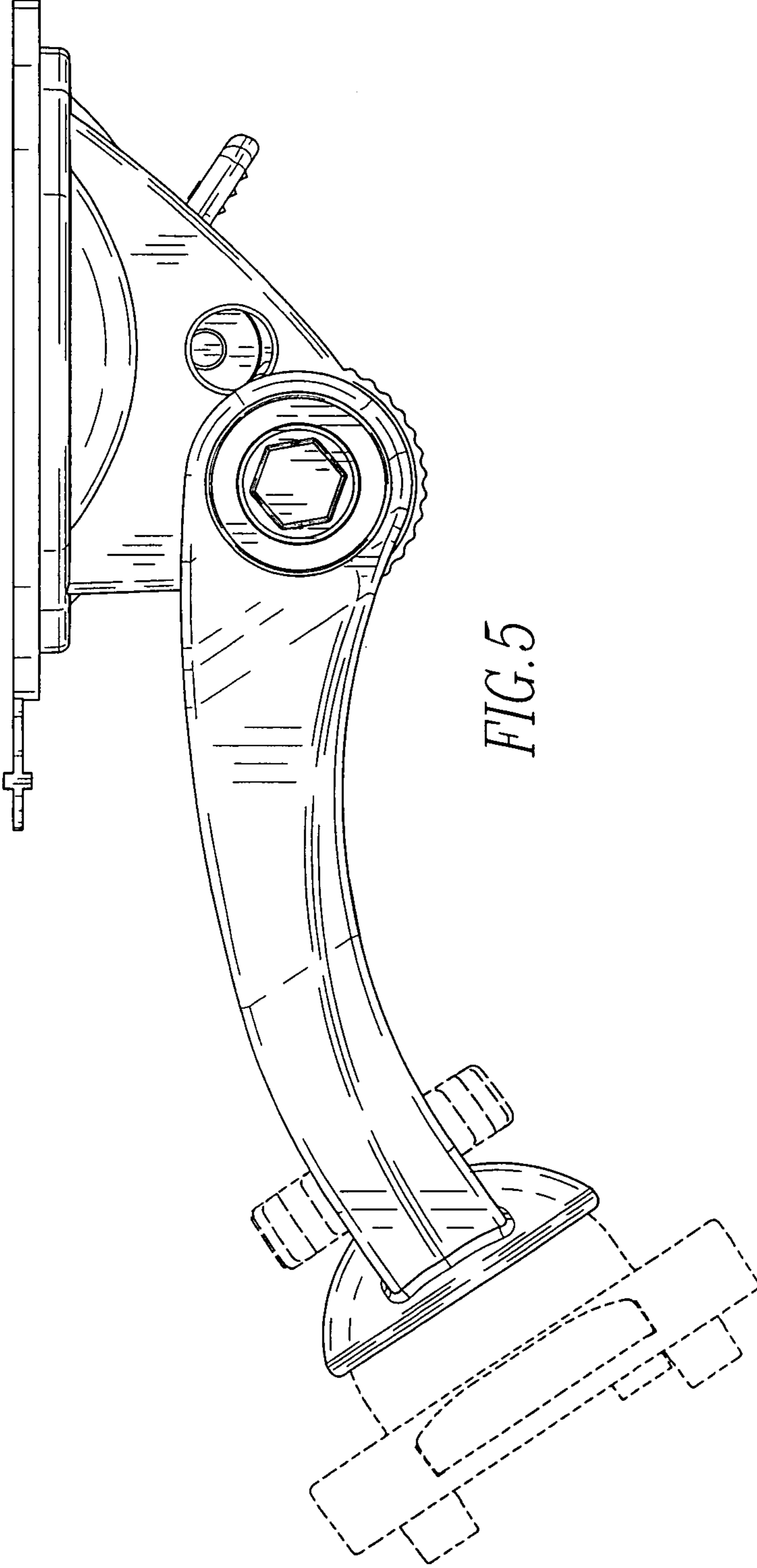


FIG. 5

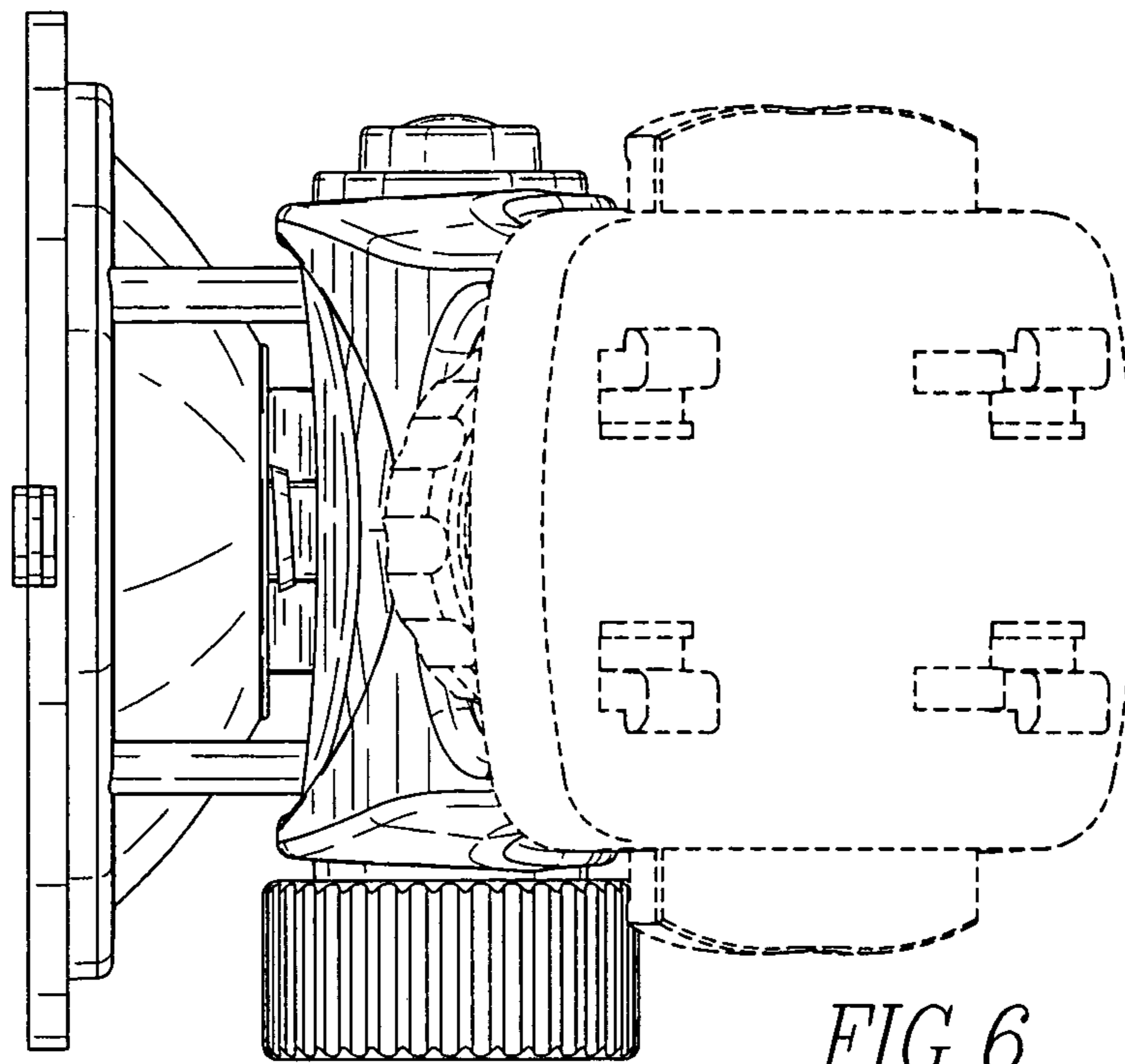


FIG. 6

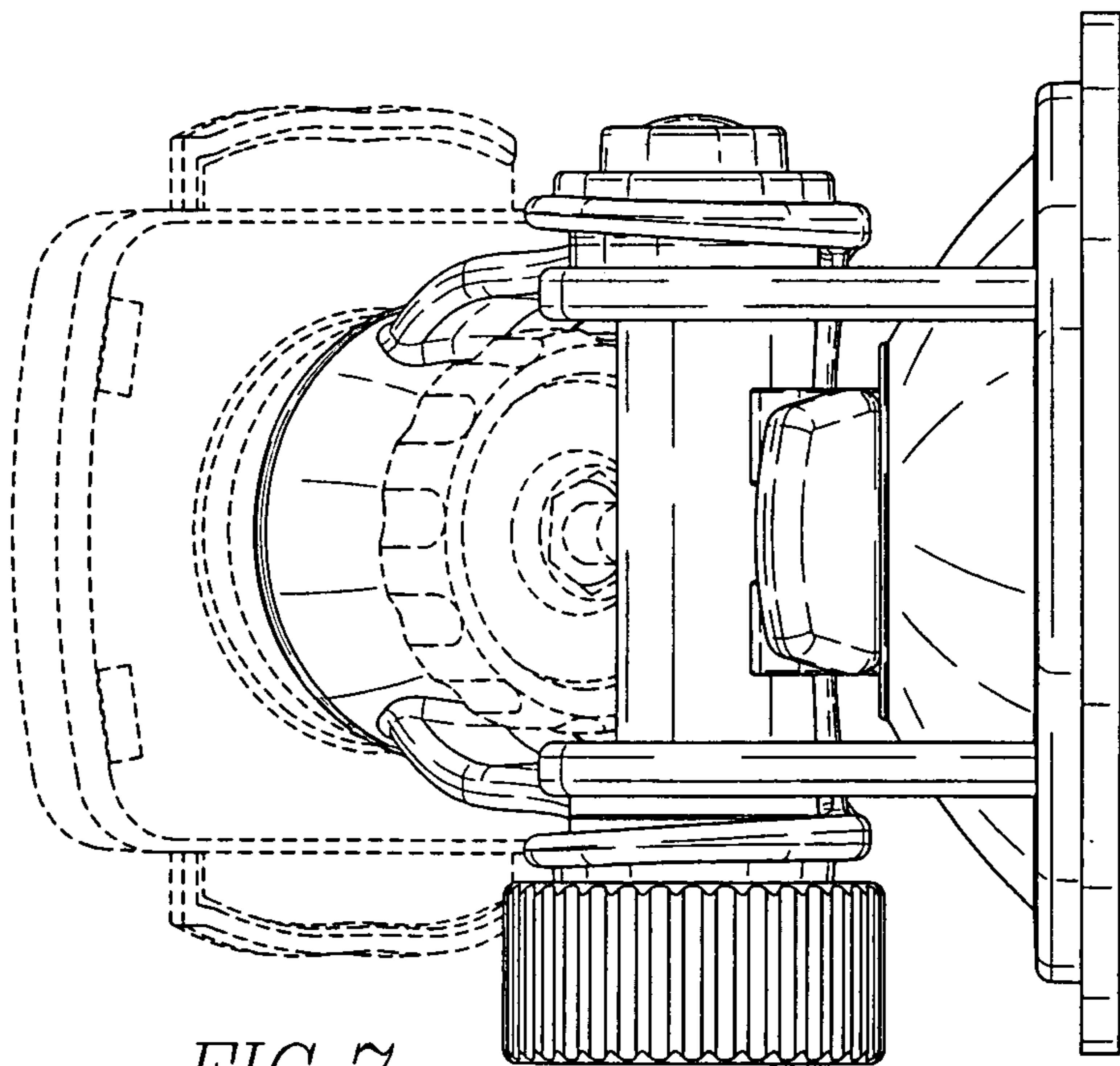


FIG. 7