



US00D681021S

(12) **United States Design Patent**
DeLorenzo et al.

(10) **Patent No.:** **US D681,021 S**
(45) **Date of Patent:** **** Apr. 30, 2013**

(54) **HANDSET**

(75) Inventors: **David DeLorenzo**, Jackson, NJ (US);
Claus Christian Eckhardt, Hannover
(DE); **Bernd Ogoreczyk**, Karben (DE);
Christian Von Reventlow, Gladstone,
NJ (US)

(73) Assignee: **Avaya Inc.**, Basking Ridge, NJ (US)

(**) Term: **14 Years**

(21) Appl. No.: **29/376,089**

(22) Filed: **Oct. 1, 2010**

(51) **LOC (9) Cl.** **14-03**

(52) **U.S. Cl.**
USPC **D14/248**

(58) **Field of Classification Search** D14/248,
D14/240, 217, 496, 130, 138 AA, 246, 223;
112/475.19; D9/310, 311; 162/134, 140,
162/231; 156/148, 209; 5/413 AM, 709;
379/88.17, 387.01, 388.02, 419, 440

See application file for complete search history.

(56) **References Cited**

U.S. PATENT DOCUMENTS

D344,272 S *	2/1994	Desbarats	D14/248
D393,645 S *	4/1998	Langlois et al.	D14/248
D430,560 S *	9/2000	Carazon Climent	D14/248
D431,820 S *	10/2000	Takayama et al.	D14/248
D437,840 S	2/2001	Korby et al.		
D438,189 S	2/2001	Korby et al.		
D458,599 S *	6/2002	Nagase	D14/248
D472,236 S	3/2003	Schramm et al.		
D472,536 S	4/2003	Schramm et al.		

D472,537 S	4/2003	Schramm et al.		
D499,724 S *	12/2004	Weidinger	D14/248
D522,589 S *	6/2006	Myers	D21/385
D531,979 S	11/2006	Pettit et al.		
D558,180 S	12/2007	Daly et al.		
D558,192 S	12/2007	Daly et al.		
D558,727 S	1/2008	Daly et al.		
D558,729 S	1/2008	Daly et al.		
D565,020 S	3/2008	Daly et al.		
D608,773 S *	1/2010	Verthein et al.	D14/248
D653,247 S *	1/2012	Jones et al.	D14/248

OTHER PUBLICATIONS

Official Action for China Patent Application No. 201130068969.X,
issued Aug. 18, 2011 1 page.

* cited by examiner

Primary Examiner — Cynthia Underwood

(74) *Attorney, Agent, or Firm* — Sheridan Ross P.C.

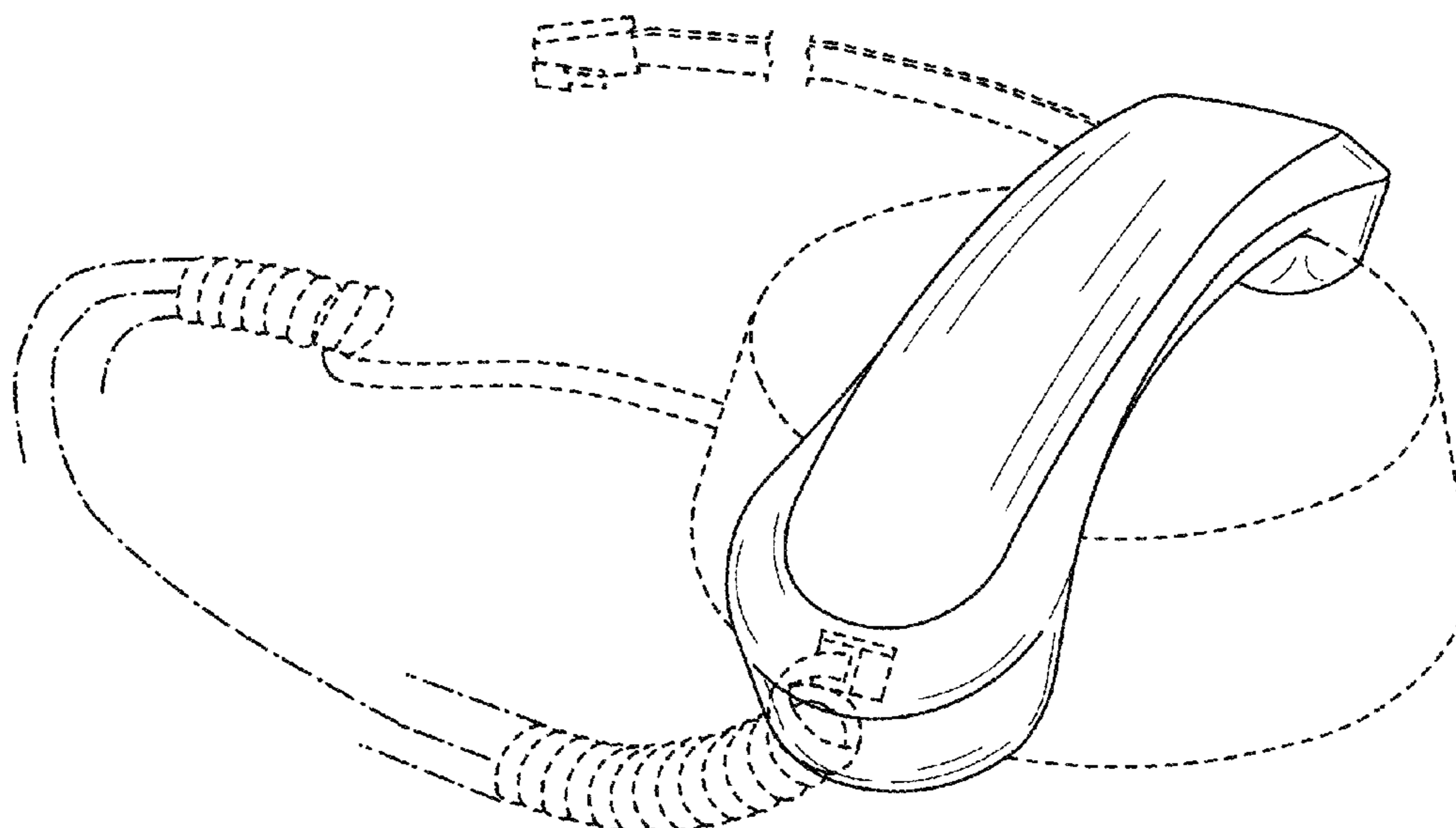
(57) **CLAIM**

The ornamental design for a handset, as shown and described.

DESCRIPTION

FIG. 1 is a perspective view of a handset showing our new design positioned opposite a docking station;
FIG. 2 is a bottom plan view thereof;
FIG. 3 is a top plan view thereof;
FIG. 4 is a right elevation view thereof;
FIG. 5 is a left elevation view thereof;
FIG. 6 is a front elevation view thereof; and,
FIG. 7 is a rear elevation view thereof.
The broken lines shown comprise environment for illustrative purposes only and form no part of the claimed design.

1 Claim, 2 Drawing Sheets



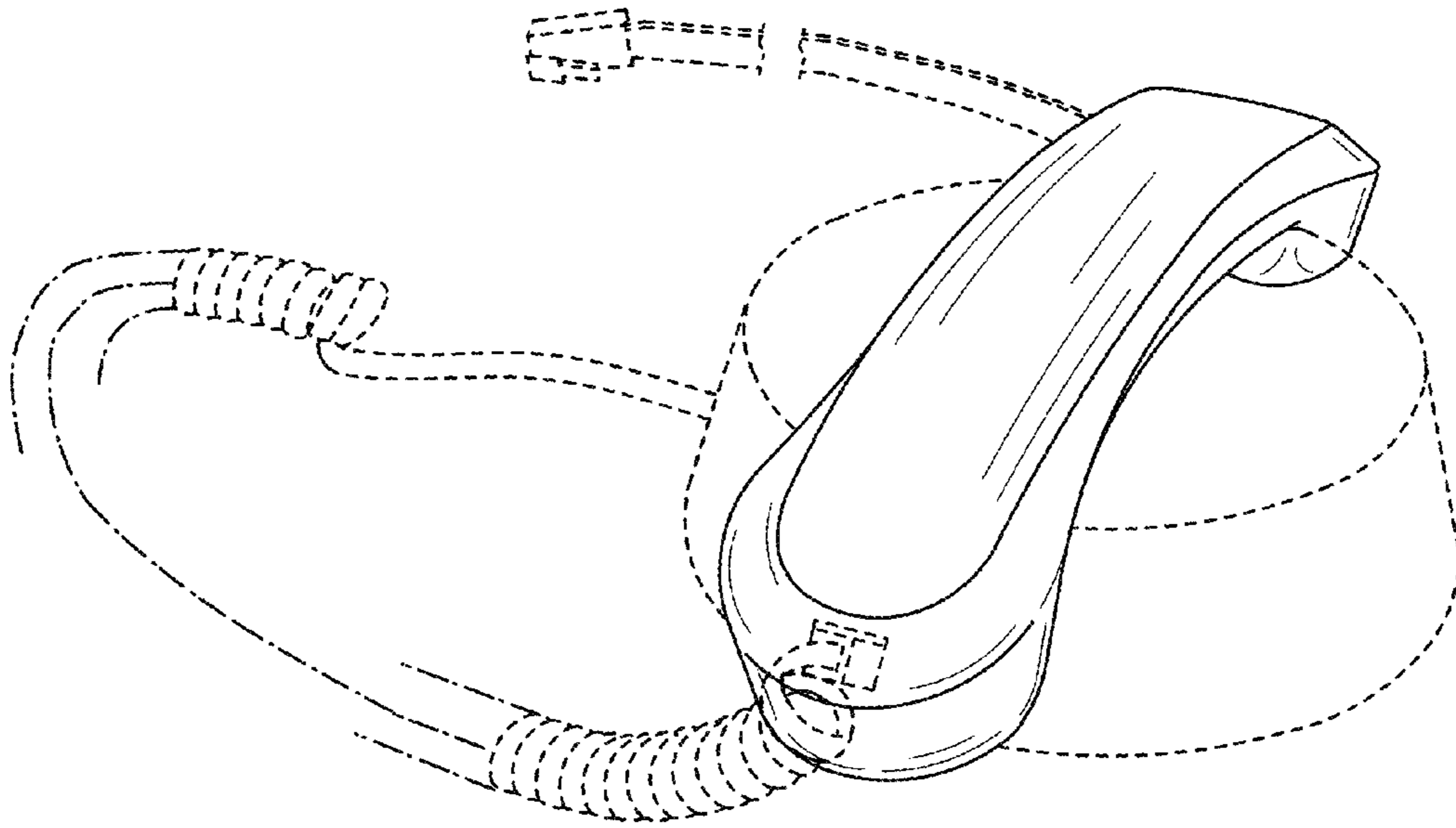


Fig. 1

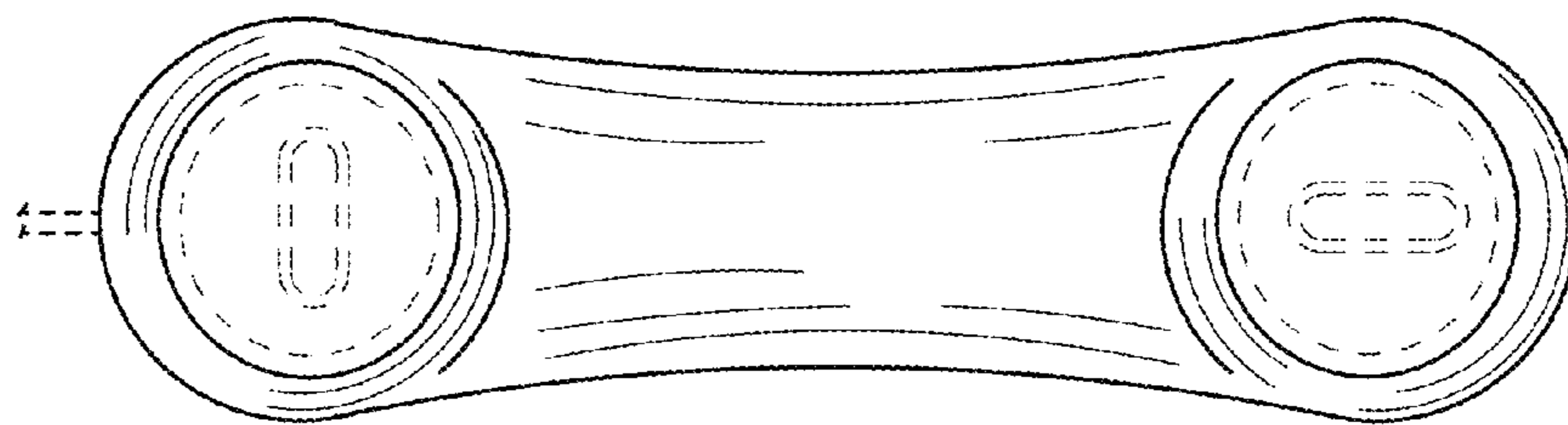


Fig. 2

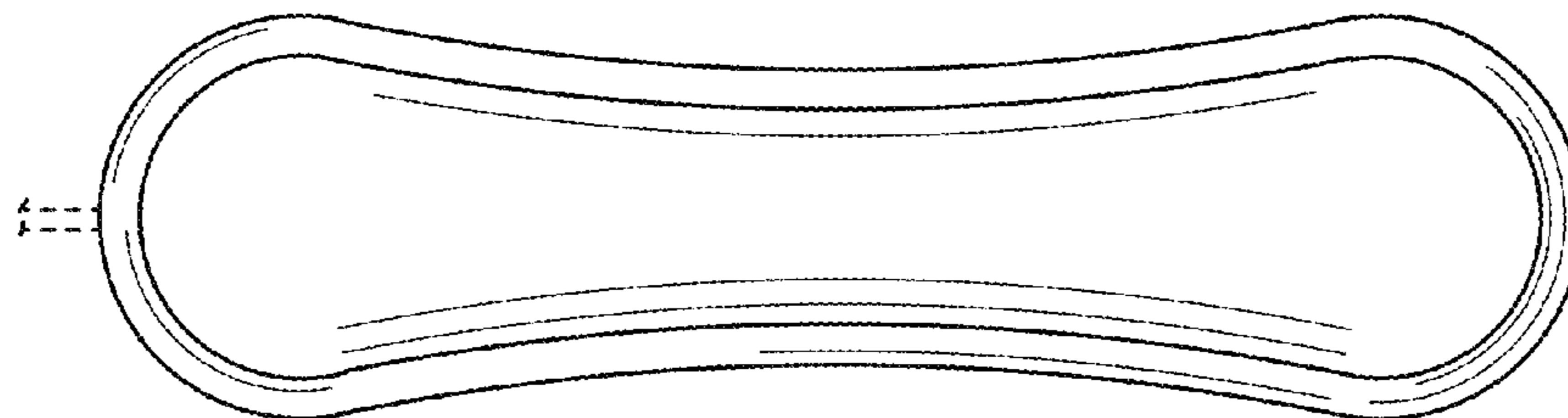


Fig. 3

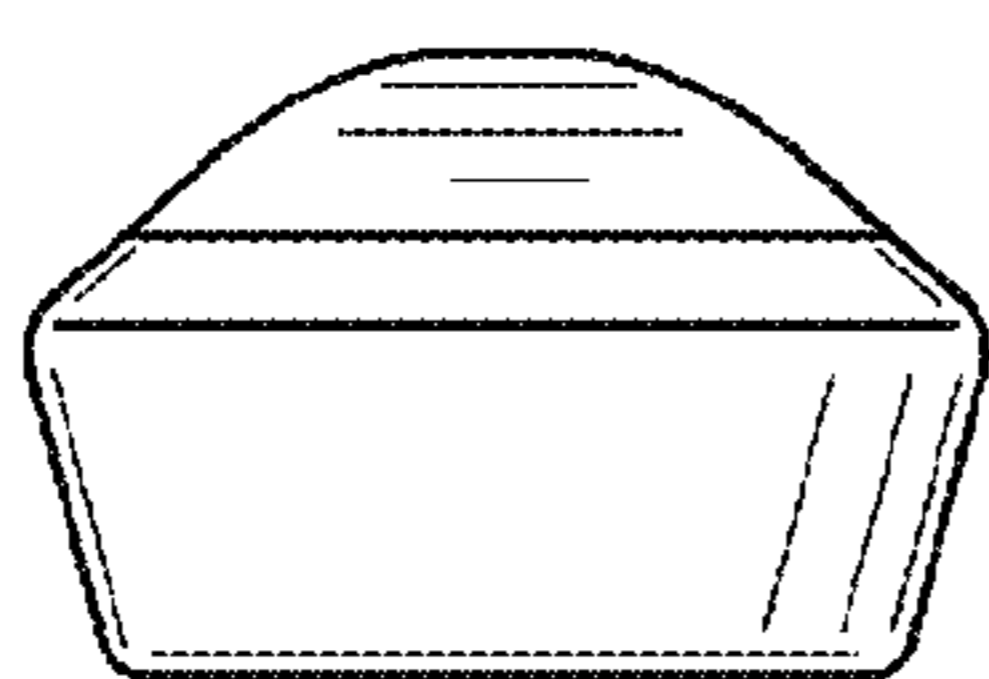


Fig. 4

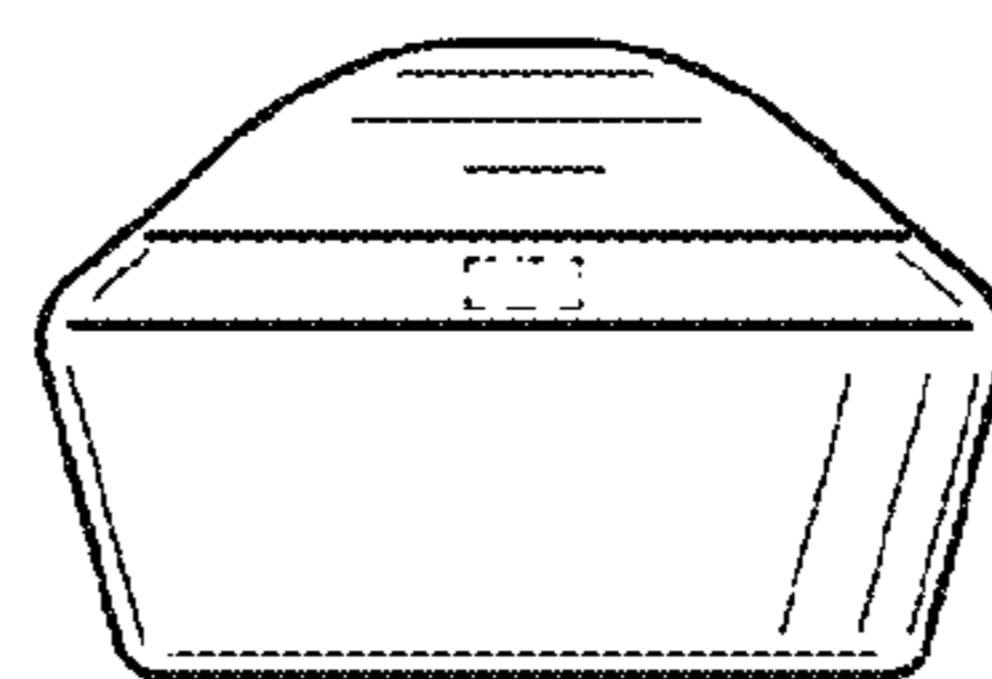


Fig. 5

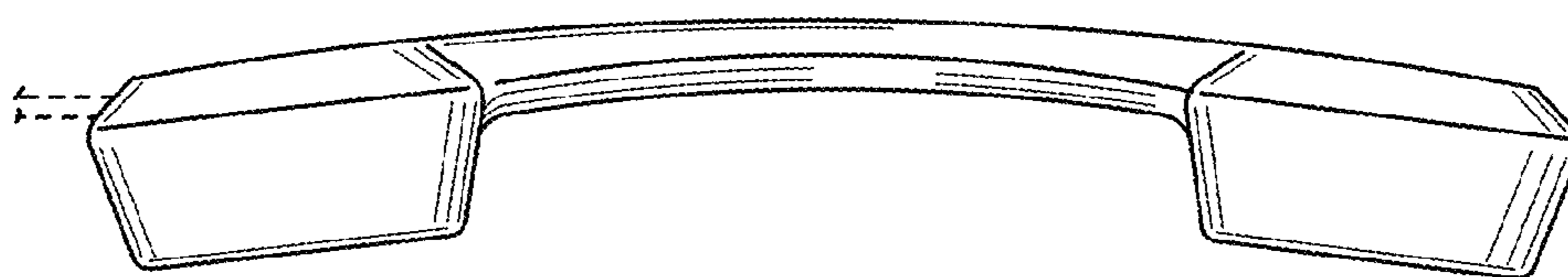


Fig. 6

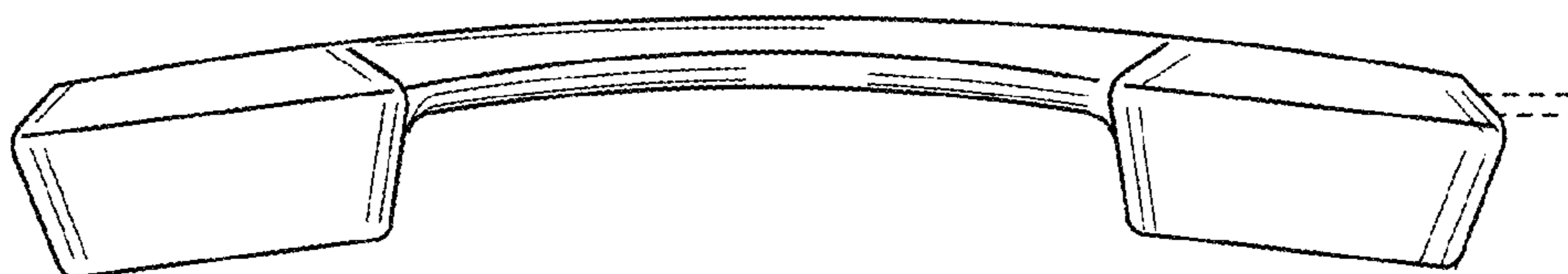


Fig. 7