



US00D681017S

(12) **United States Design Patent**
Lee

(10) **Patent No.:** **US D681,017 S**

(45) **Date of Patent:** **** Apr. 30, 2013**

(54) **PARABOLIC REFLECTOR FOR MICROPHONE**

(75) Inventor: **Kyung Ho Lee**, Seoul (KR)

(73) Assignee: **Enter Tech Co., Ltd.**, Bucheon (KR)

(**) Term: **14 Years**

(21) Appl. No.: **29/352,978**

(22) Filed: **Dec. 30, 2009**

(51) **LOC (9) Cl.** **14-03**

(52) **U.S. Cl.**
USPC **D14/225**

(58) **Field of Classification Search** D14/228,
D14/225, 206, 219, 220, 221, 229, 497; D15/3,
D15/143; D9/502, 454; D23/262, 358; 381/361,
381/359, 355, 177; 426/140

See application file for complete search history.

(56) **References Cited**

U.S. PATENT DOCUMENTS

D302,819 S *	8/1989	Kubota	D14/228
D324,219 S *	2/1992	Besasie	D14/225
D414,493 S *	9/1999	Jiann-Yeong	D14/225
6,016,351 A *	1/2000	Raida et al.	381/77
D598,011 S *	8/2009	Thusbass	D14/225
D607,441 S *	1/2010	Yamakawa	D14/225

D614,609 S *	4/2010	Arpe et al.	D14/225
D628,993 S *	12/2010	Steyn	D14/225
D630,191 S *	1/2011	Chang et al.	D14/225
D649,960 S *	12/2011	Yoneda	D14/225

* cited by examiner

Primary Examiner — Austin Murphy

(57) **CLAIM**

The ornamental design for a parabolic reflector for microphone, as shown and described.

DESCRIPTION

FIG. 1 is a perspective view of a parabolic reflector for microphone showing my new design;
FIG. 2 is a front view thereof;
FIG. 3 is a rear view thereof;
FIG. 4 is a left-side view thereof;
FIG. 5 is a right-side view thereof;
FIG. 6 is a plan view thereof;
FIG. 7 is a bottom plan view thereof; and,
FIG. 8 is a perspective view thereof.

The microphone is shown for illustrative purpose only and forms no part of the claimed design. Broken lines shown in the drawings illustrate the portions within the recessed area on the parabolic reflector and the microphone, and form no part of the claimed design.

1 Claim, 5 Drawing Sheets

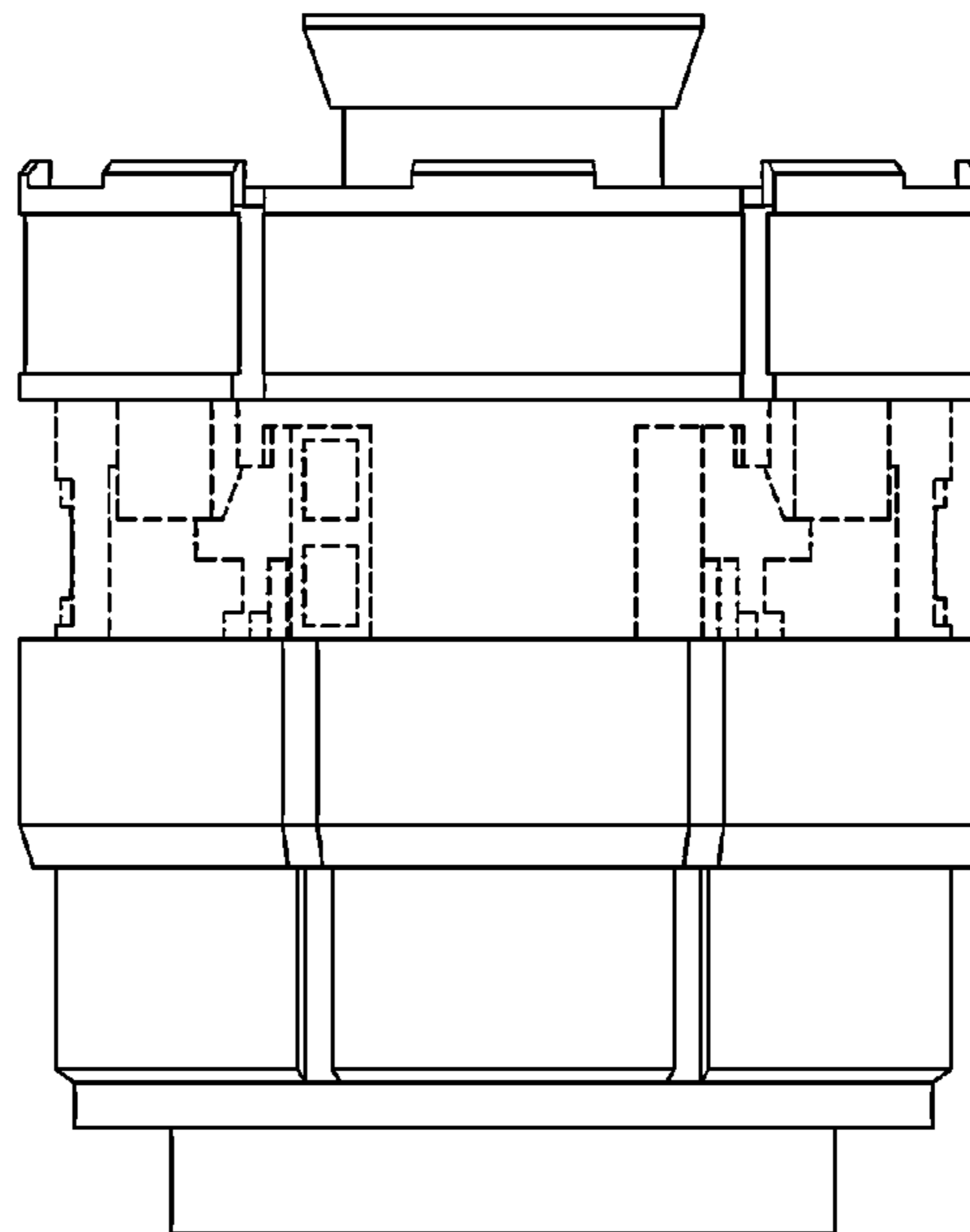
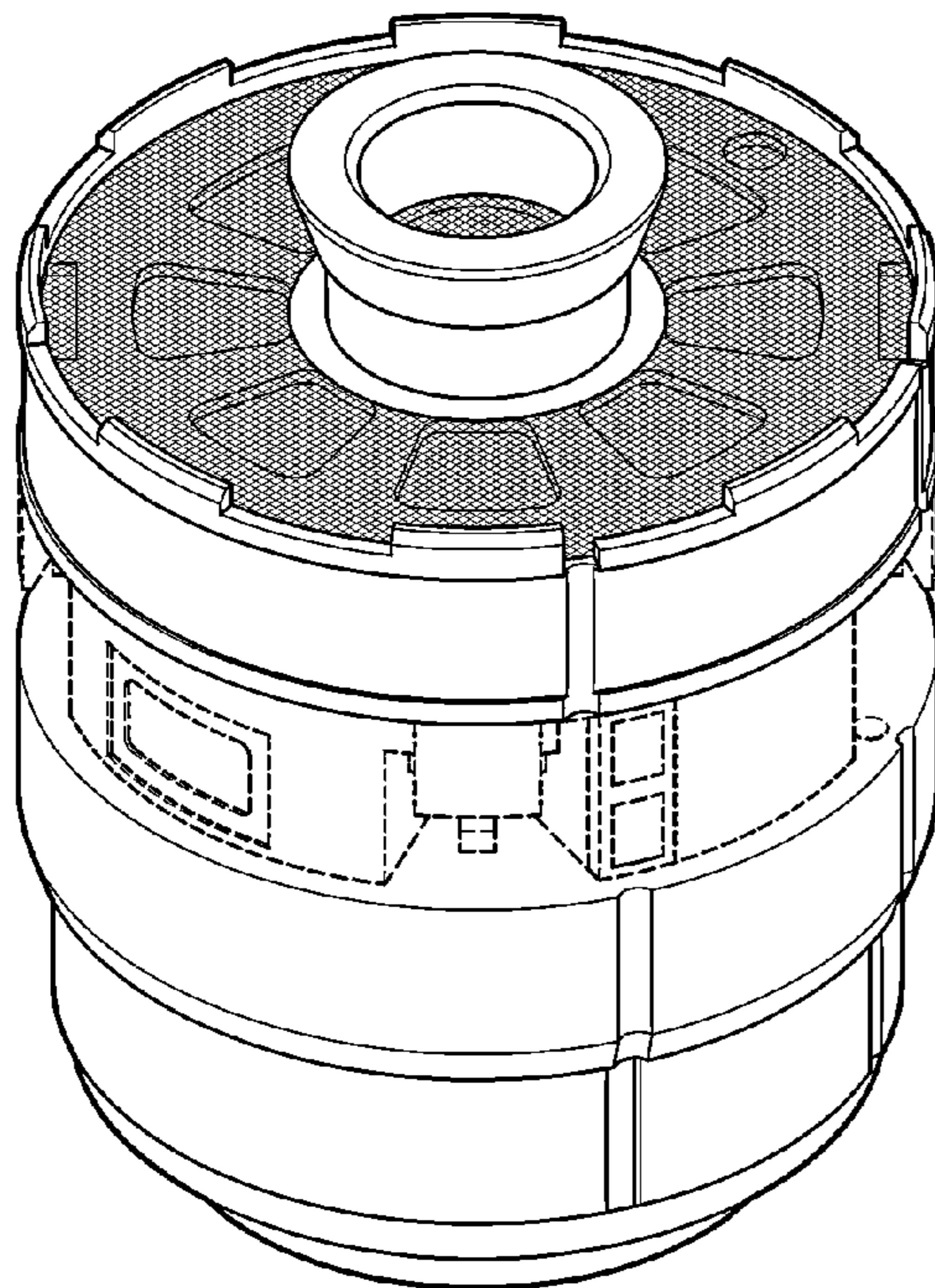


FIG. 1

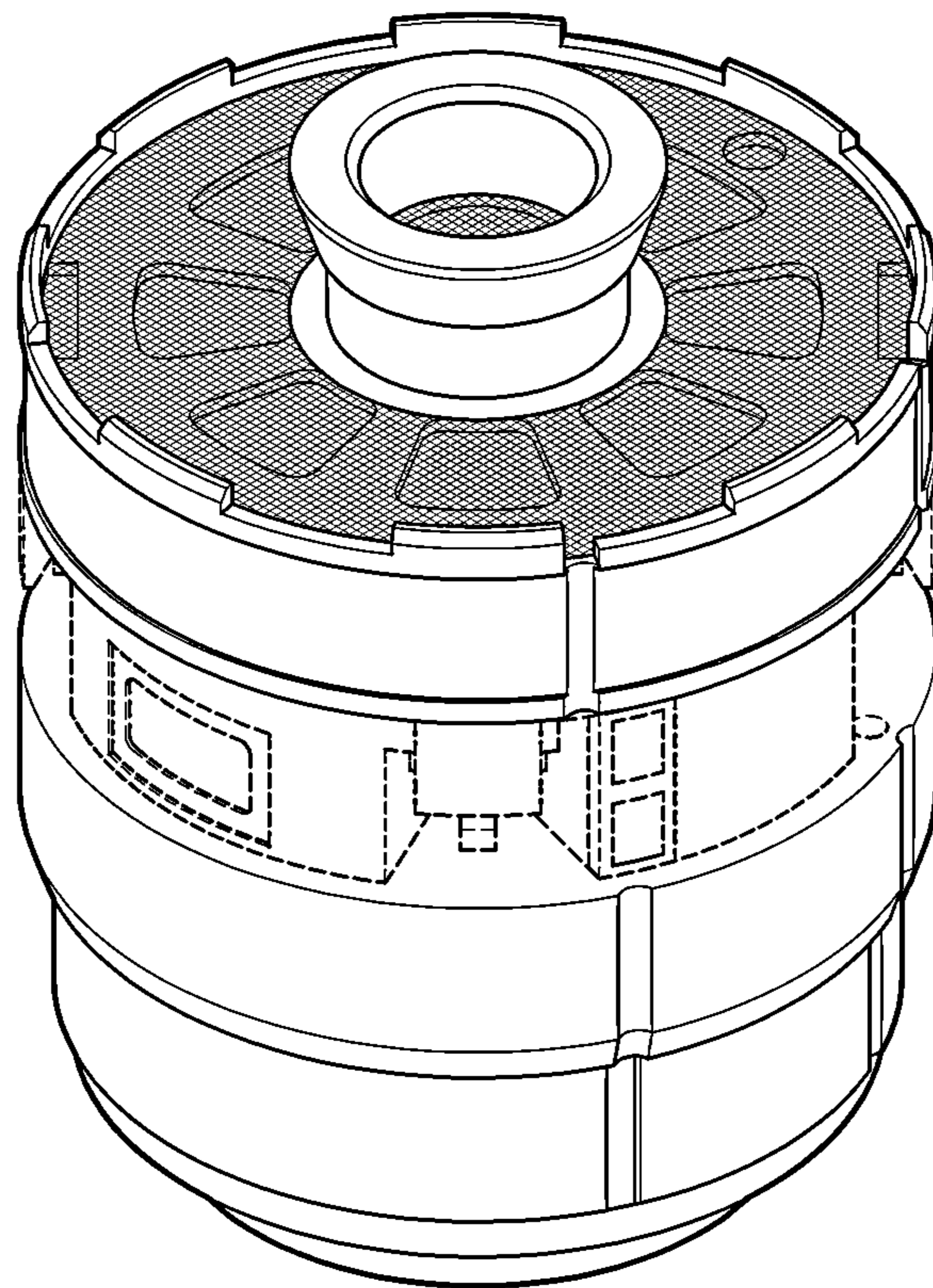


FIG. 2

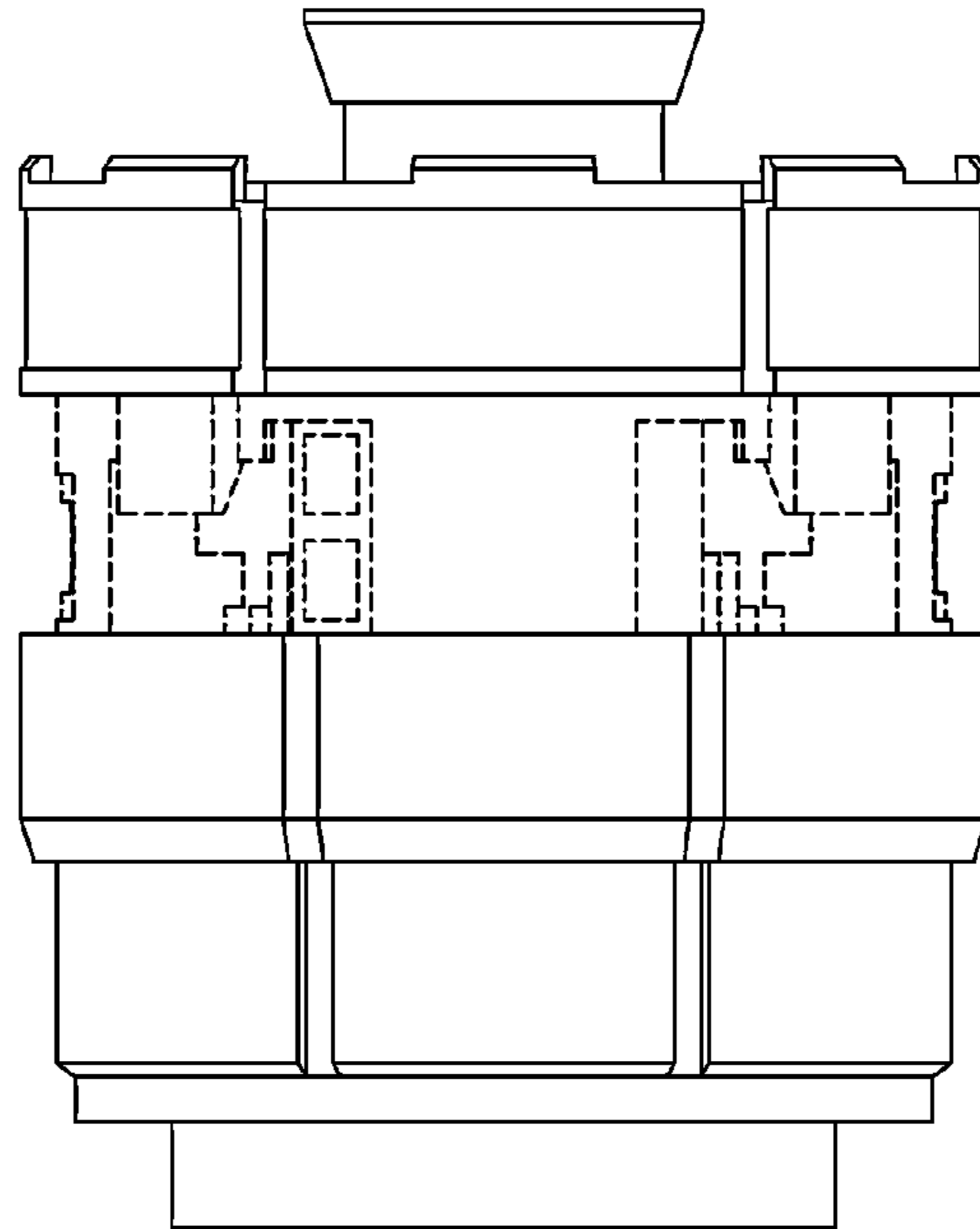


FIG. 3

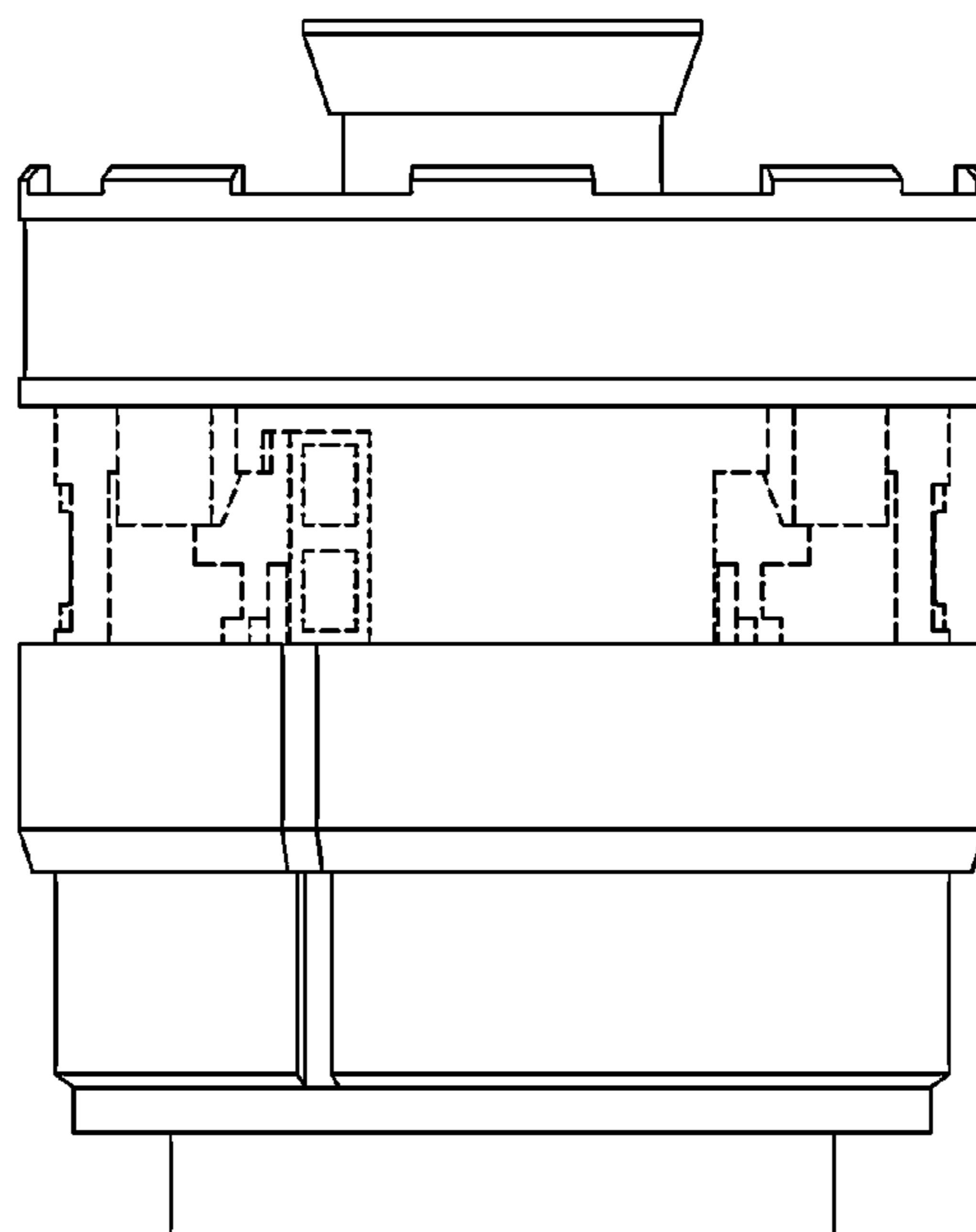


FIG. 4

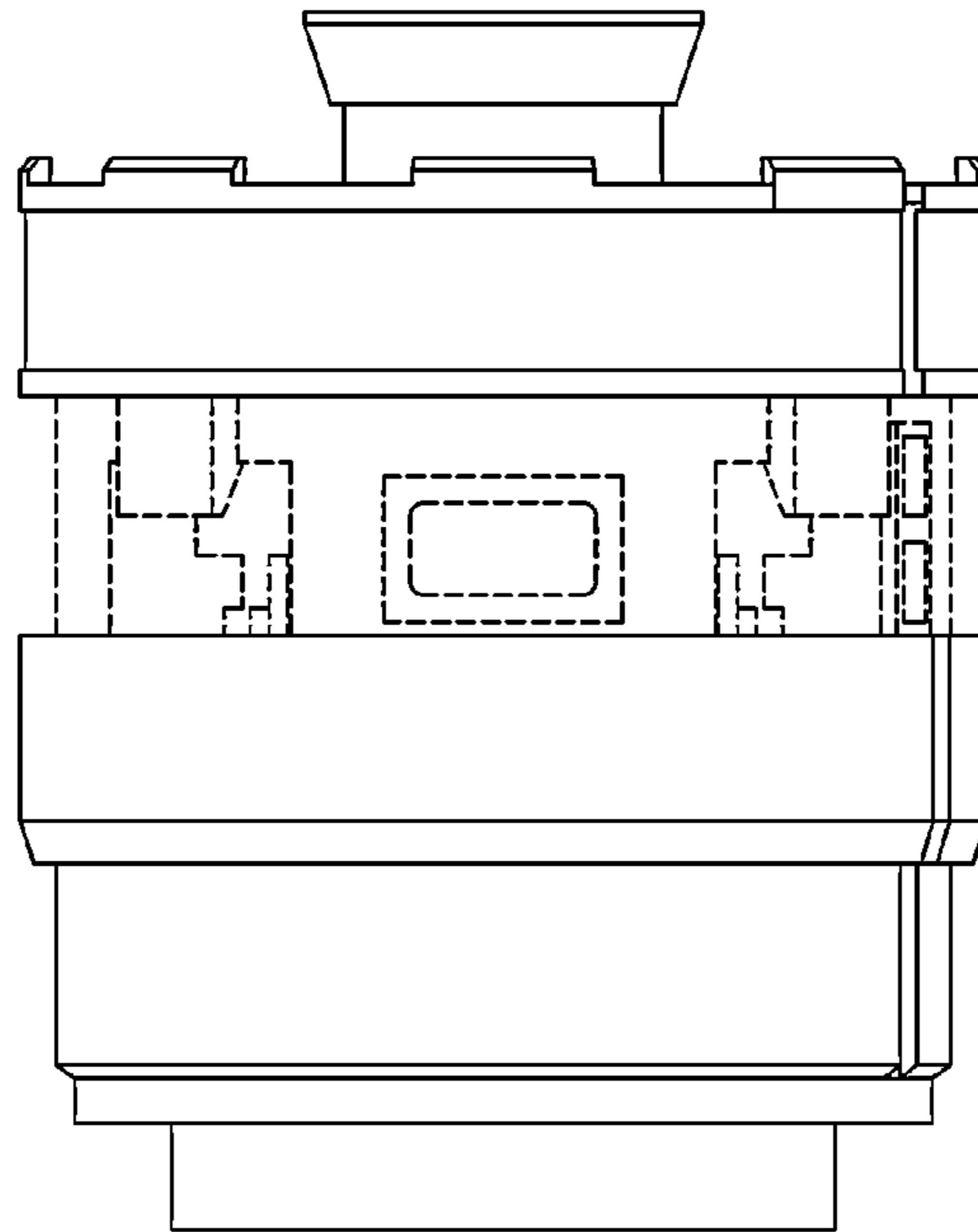


FIG. 5

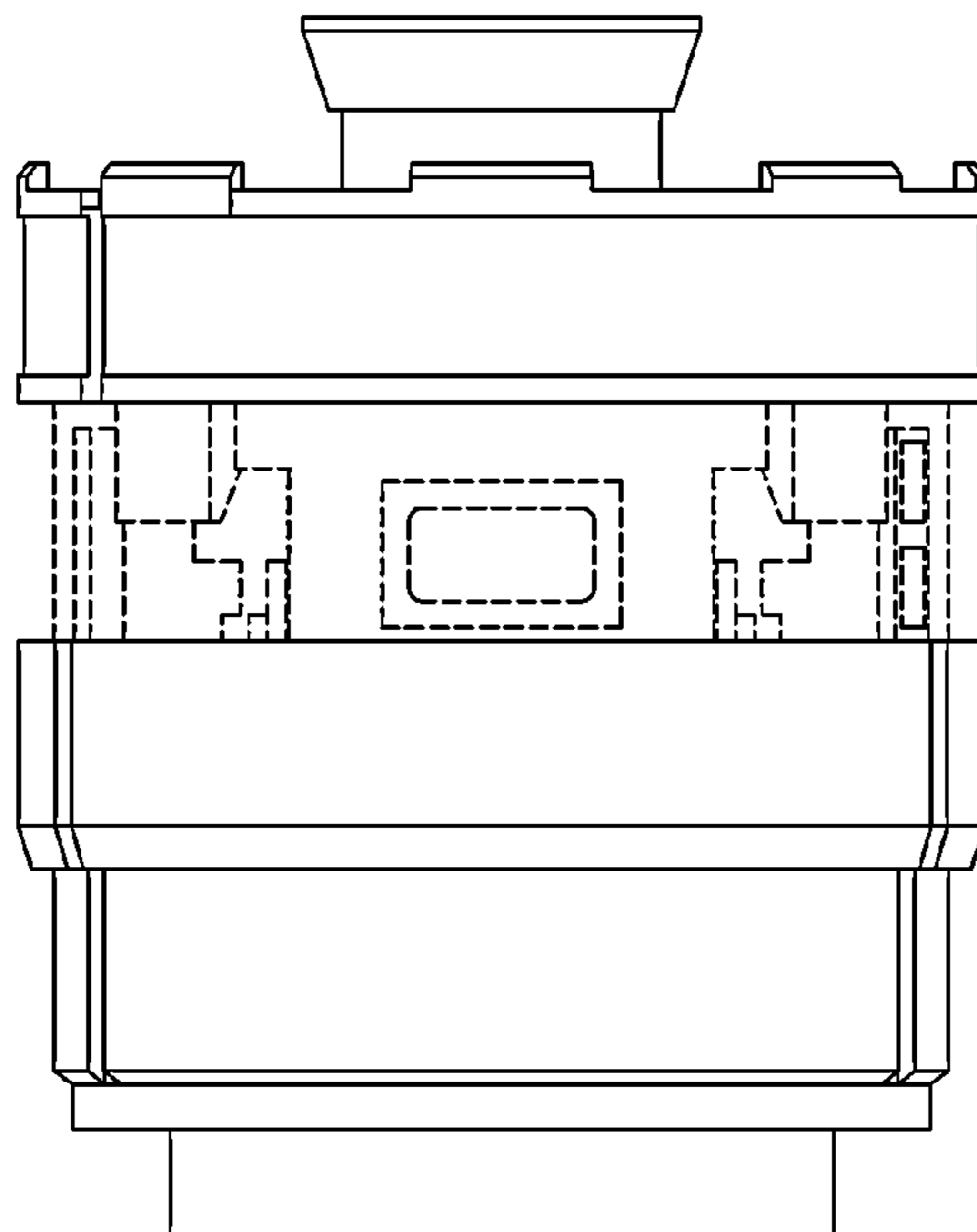


FIG. 6

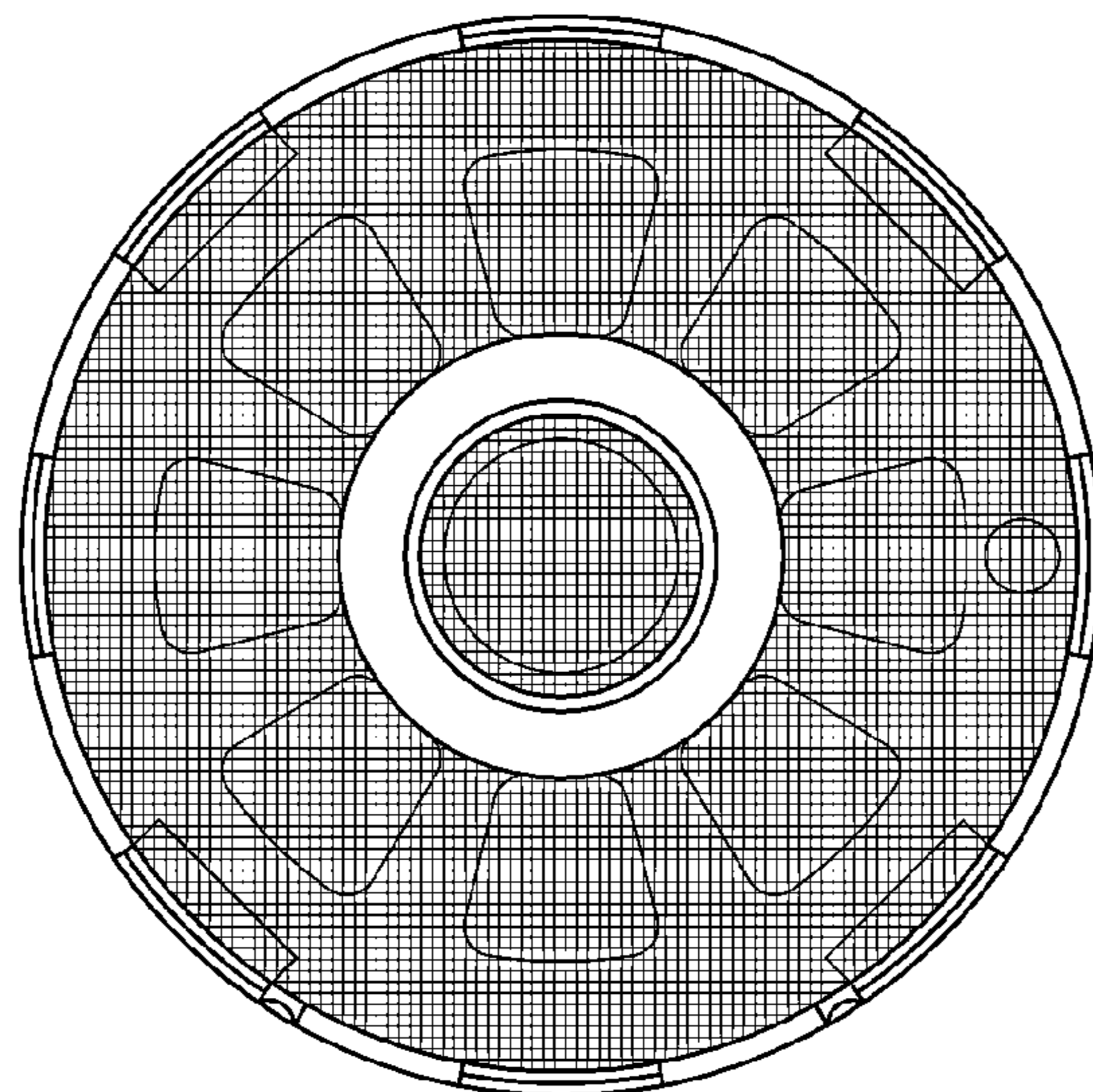


FIG. 7

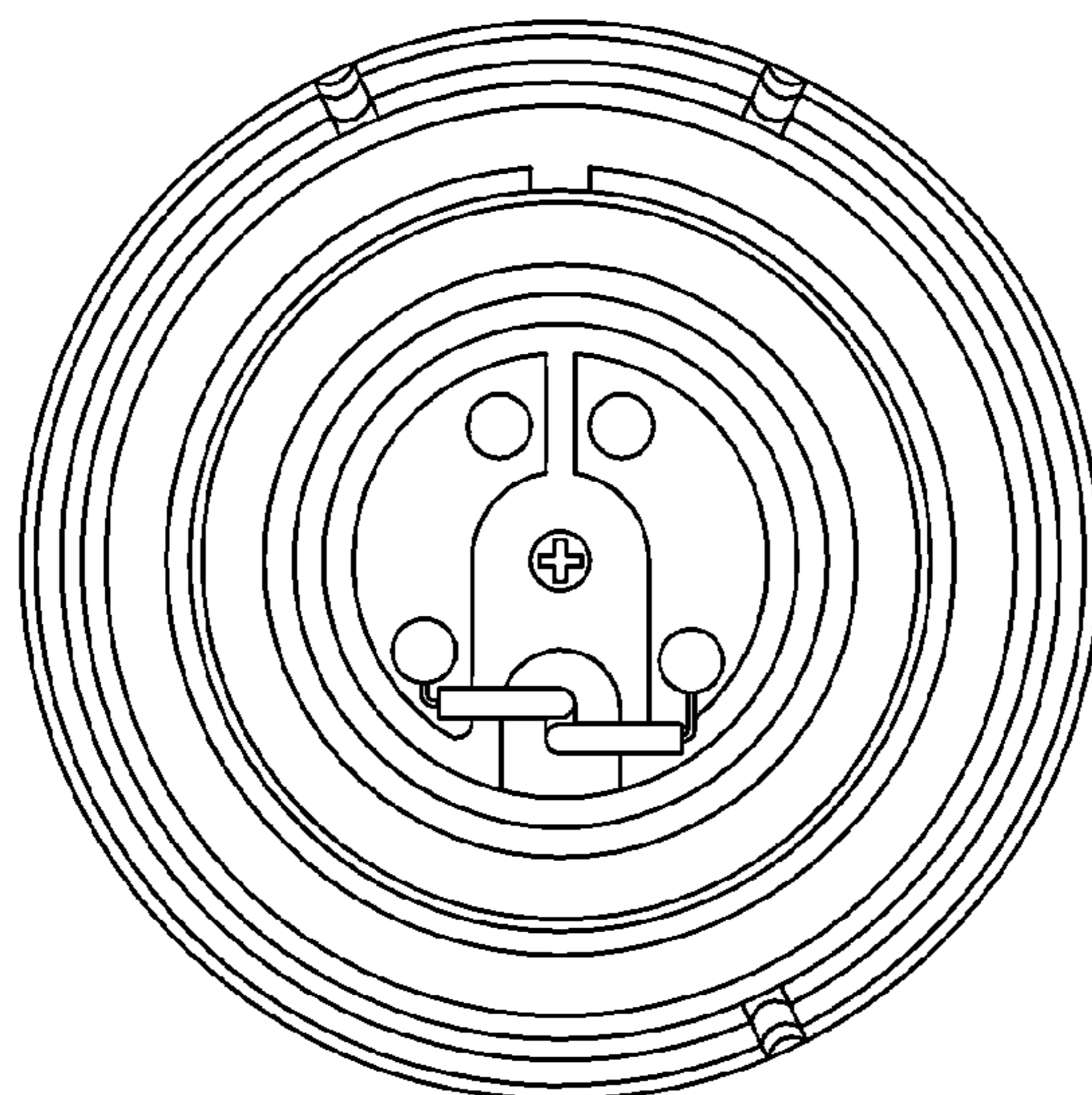


FIG. 8

