



US00D681016S

(12) **United States Design Patent**  
**Ishinabe**

(10) **Patent No.:** **US D681,016 S**

(45) **Date of Patent:** **\*\* \*Apr. 30, 2013**

- (54) **IN-VEHICLE SPEAKER PANEL**
- (75) Inventor: **Hidetaka Ishinabe**, Saitama (JP)
- (73) Assignee: **Clarion Co., Ltd.**, Saitama (JP)
- (\*) Notice: This patent is subject to a terminal disclaimer.
- (\*\*) Term: **14 Years**
- (21) Appl. No.: **29/411,229**
- (22) Filed: **Jan. 18, 2012**

4,811,406	A *	3/1989	Kawachi	381/186
4,837,839	A *	6/1989	Andrews	381/182
D320,020	S *	9/1991	Iwano	D14/216
D357,480	S *	4/1995	Lumsden et al.	D14/224
D359,494	S *	6/1995	Hedaya	D14/224
5,739,480	A *	4/1998	Lin	181/144
6,095,278	A *	8/2000	Lin	181/148
6,282,297	B1 *	8/2001	Lin	381/386
D476,313	S *	6/2003	Rivera	D14/216
D480,070	S *	9/2003	Hakoda	D14/216
D488,801	S *	4/2004	Shindo et al.	D14/216
D489,359	S *	5/2004	Hakoda	D14/215
D525,236	S *	7/2006	Hibi	D14/221
D532,771	S *	11/2006	Motoishi	D14/211
D534,158	S *	12/2006	Yokoyama	D14/211
D541,790	S *	5/2007	Yoon	D14/215
D547,751	S *	7/2007	Shiono	D14/216

- (30) **Foreign Application Priority Data**  
Jul. 27, 2011 (JP) ..... 2011-017261
- (51) **LOC (9) Cl.** ..... **14-01**
- (52) **U.S. Cl.**  
USPC ..... **D14/224**
- (58) **Field of Classification Search** ..... D14/204,  
D14/210, 215, 216, 217, 219, 221, 211, 224,  
D14/224.1; 381/332, 336, 395, 229; 360/99.02;  
369/75.11; D12/114  
See application file for complete search history.

(Continued)

*Primary Examiner* — Paula Greene  
(74) *Attorney, Agent, or Firm* — McDermott Will & Emery LLP

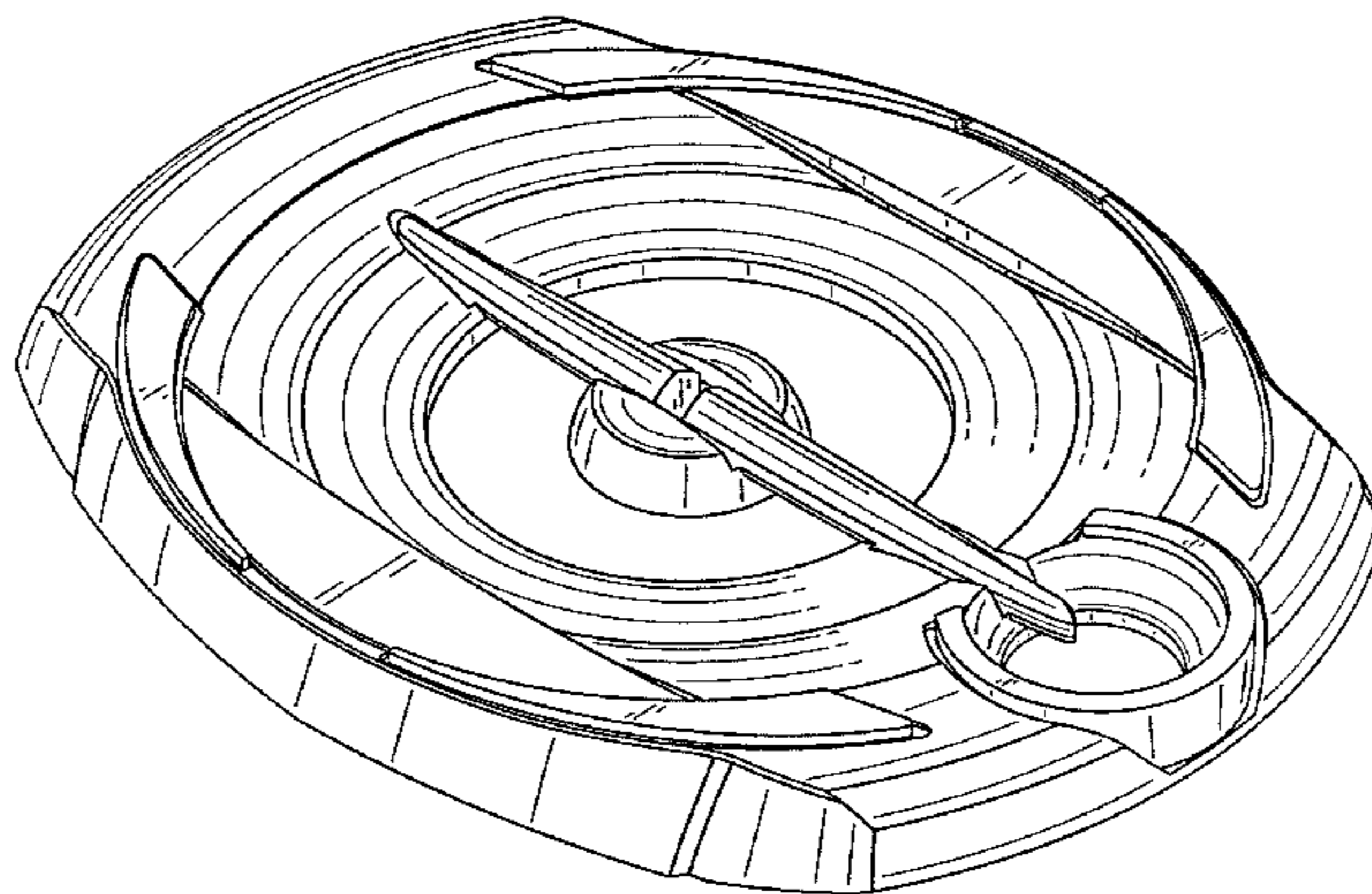
- (56) **References Cited**  
U.S. PATENT DOCUMENTS  
2,205,669 A \* 6/1940 Pye ..... 381/395  
2,924,290 A \* 2/1960 Zuerker ..... 381/189  
D191,403 S \* 9/1961 Perry ..... D14/224  
3,952,834 A \* 4/1976 Soma et al. .... 181/150  
D254,130 S \* 2/1980 Iijima ..... D14/215  
D254,252 S \* 2/1980 Matsubara ..... D14/216  
D254,490 S \* 3/1980 Matsubara ..... D14/215  
D273,008 S \* 3/1984 Ishizaki ..... D14/215  
4,492,826 A \* 1/1985 Chiu ..... 381/182  
4,552,242 A \* 11/1985 Kashiwabara ..... 181/144  
D284,002 S \* 5/1986 Takagi ..... D14/215  
D284,281 S \* 6/1986 Takagi ..... D14/215  
4,672,675 A \* 6/1987 Powell et al. .... 381/182

(57) **CLAIM**  
The ornamental design for an in-vehicle speaker panel, as shown and described.

**DESCRIPTION**

FIG. 1 is a right-bottom perspective view of an in-vehicle speaker panel;  
FIG. 2 is a left-bottom perspective view thereof;  
FIG. 3 is a right-top perspective view thereof;  
FIG. 4 is a left-top perspective view thereof;  
FIG. 5 is a front view thereof;  
FIG. 6 is a rear view thereof;  
FIG. 7 is a left side view thereof;  
FIG. 8 is a right side view thereof;  
FIG. 9 is a top view thereof; and,  
FIG. 10 is a bottom view thereof.  
The broken lines in the drawings illustrate environmental subject matter only and form no part of the claimed design.

**1 Claim, 9 Drawing Sheets**



# US D681,016 S

Page 2

---

## U.S. PATENT DOCUMENTS

D591,725 S *	5/2009	Komiyama	.....	D14/215	D602,909 S *	10/2009	Cho	.....	D14/215
D593,070 S *	5/2009	Komiyama	.....	D14/215	D629,389 S *	12/2010	Kitayama	.....	D14/215
D597,076 S *	7/2009	Komiyama	.....	D14/215	D656,486 S *	3/2012	Parraga Gimeno	.....	D14/216

\* cited by examiner

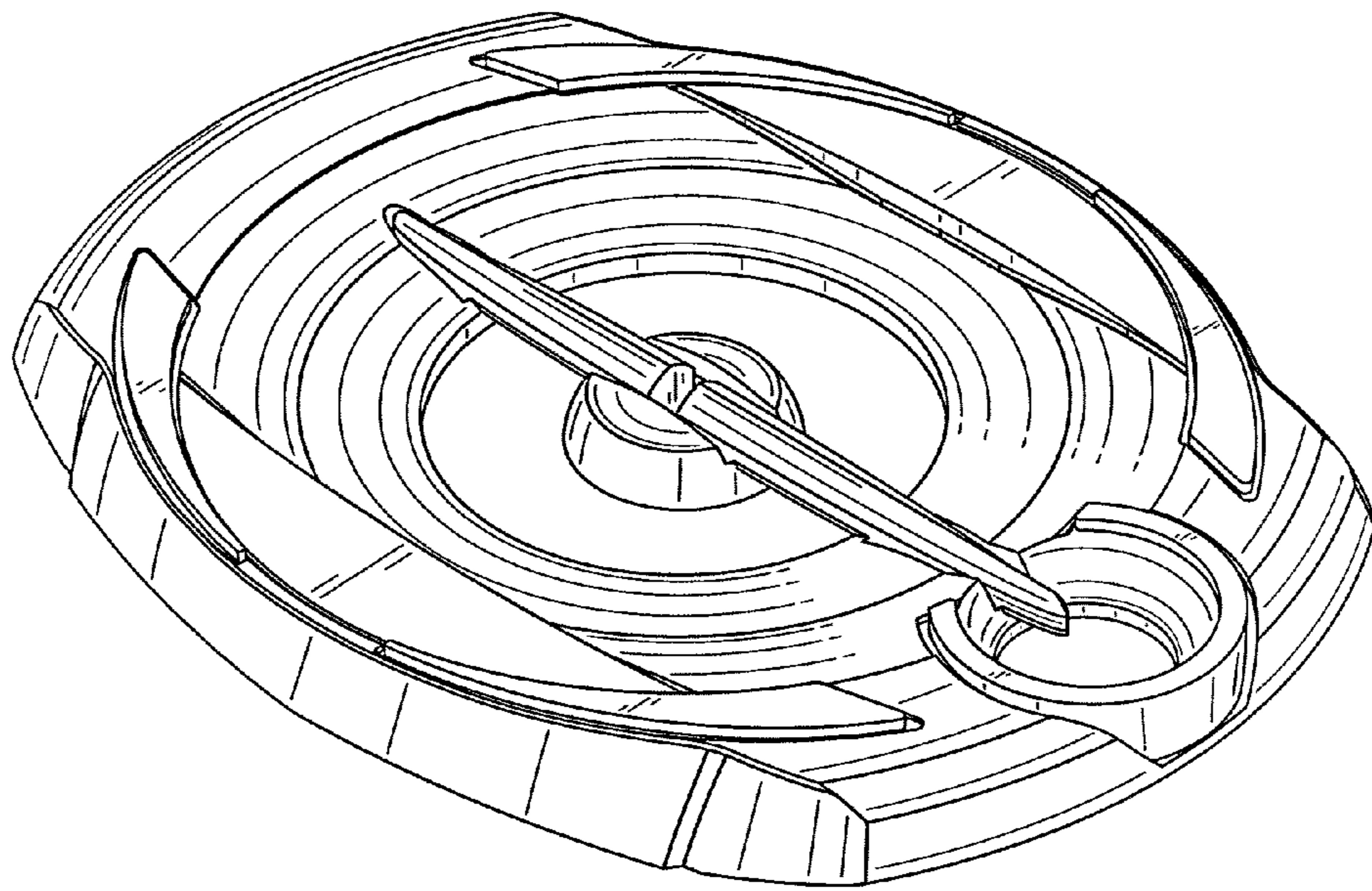


FIG. 1

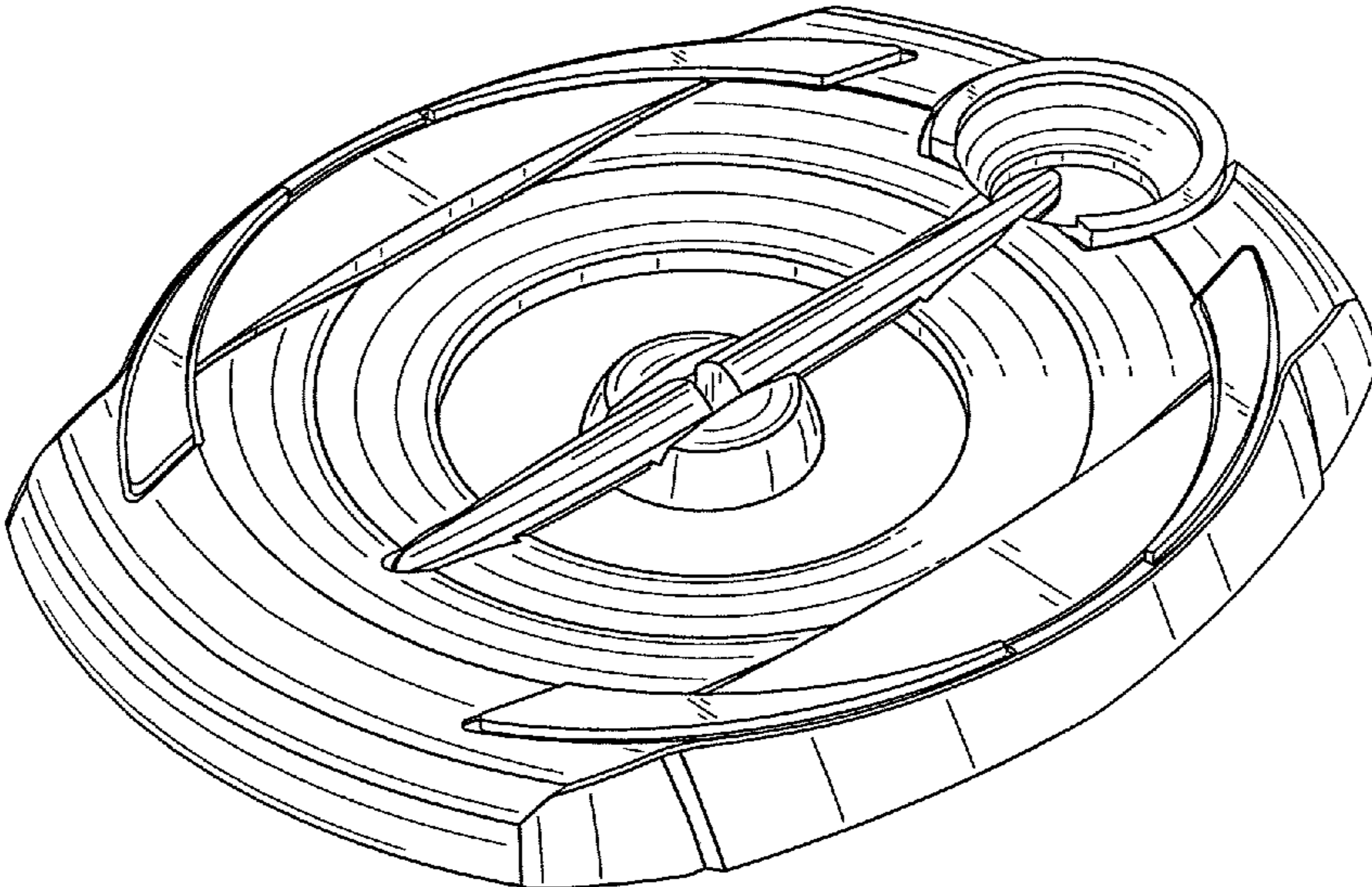


FIG. 2



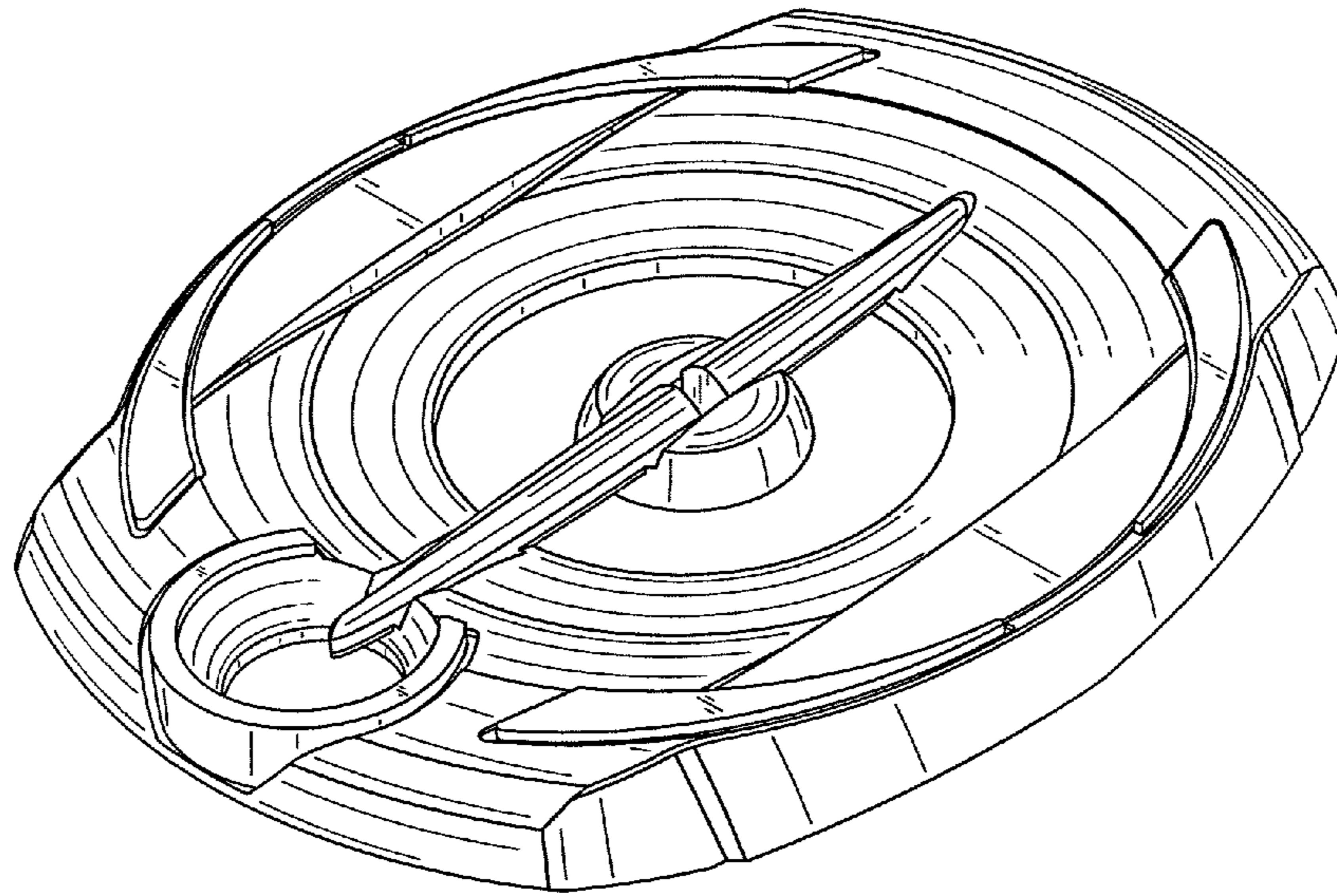


FIG. 3

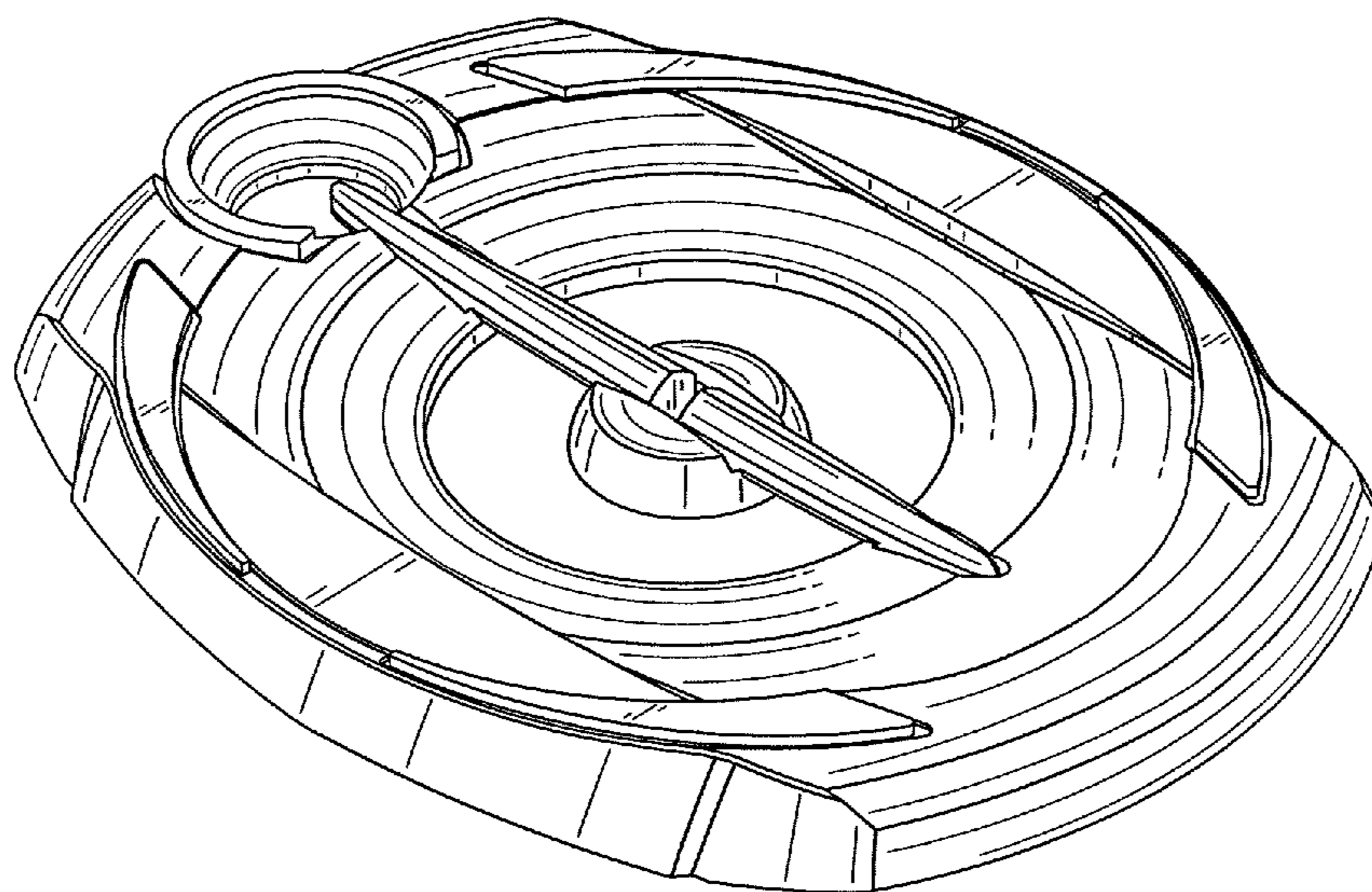


FIG. 4

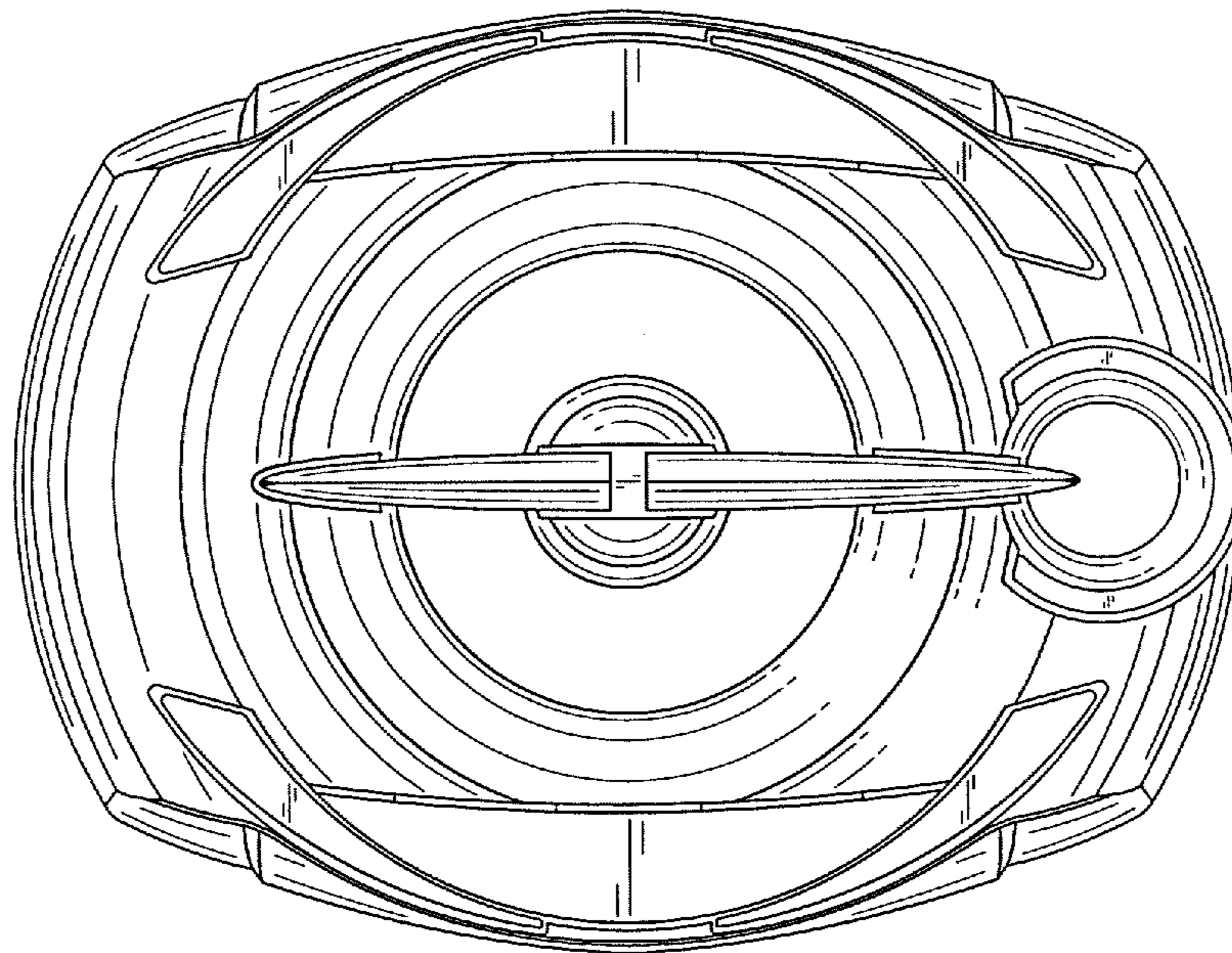


FIG. 5

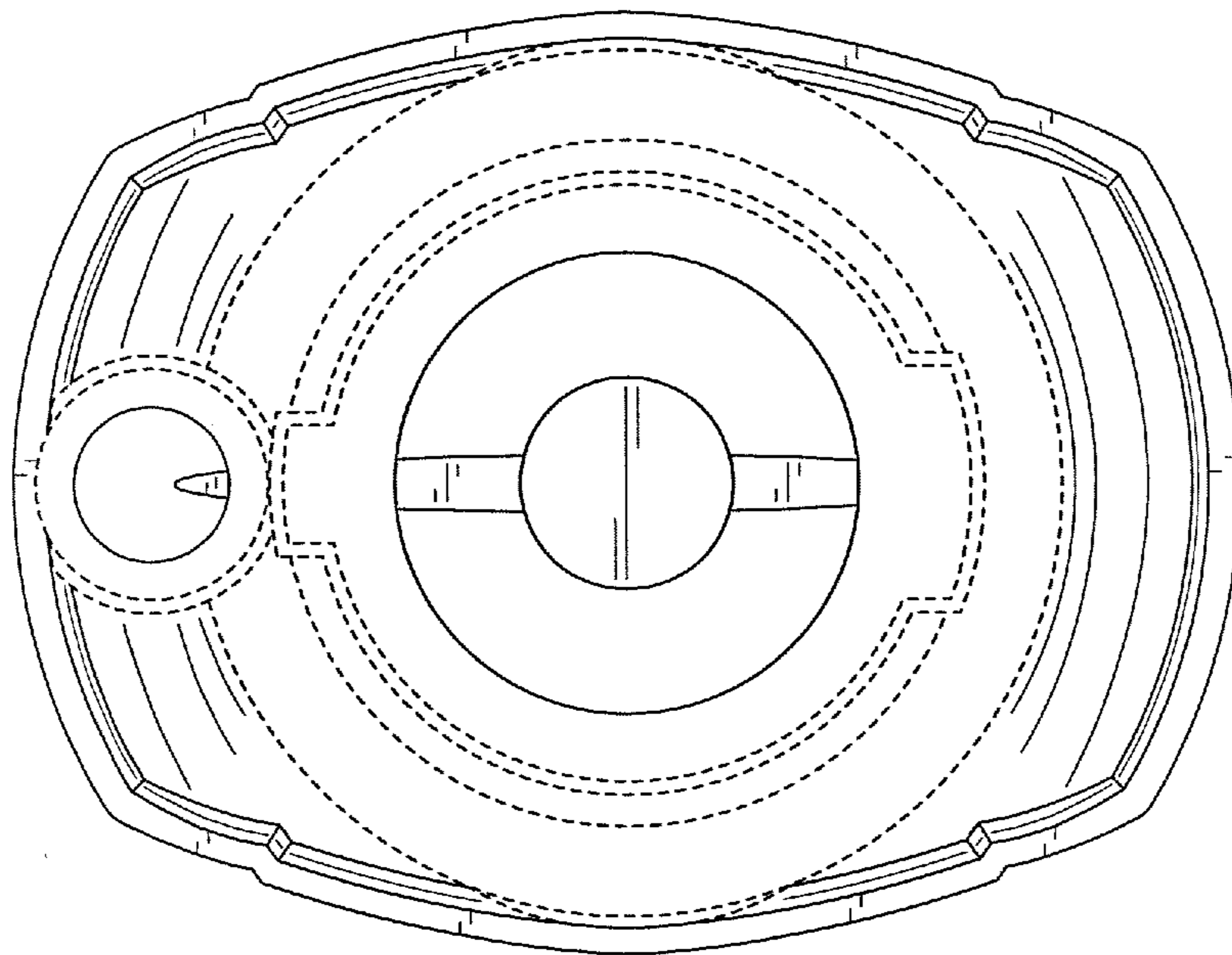


FIG. 6



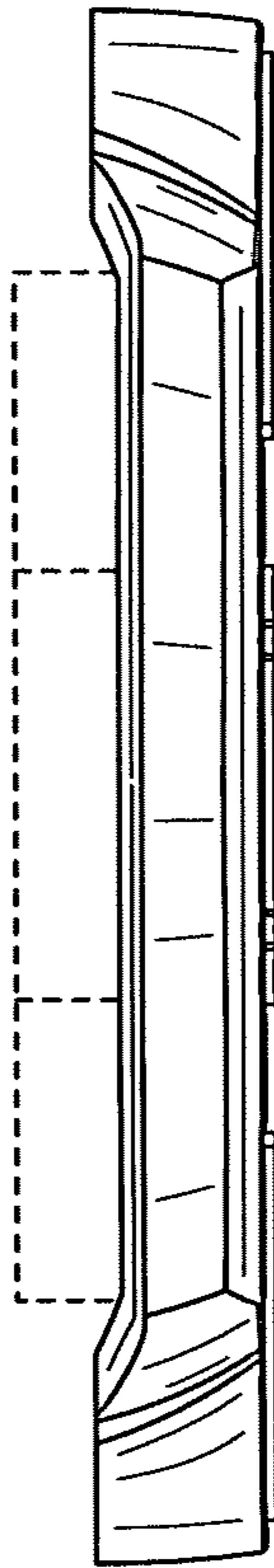


FIG. 7

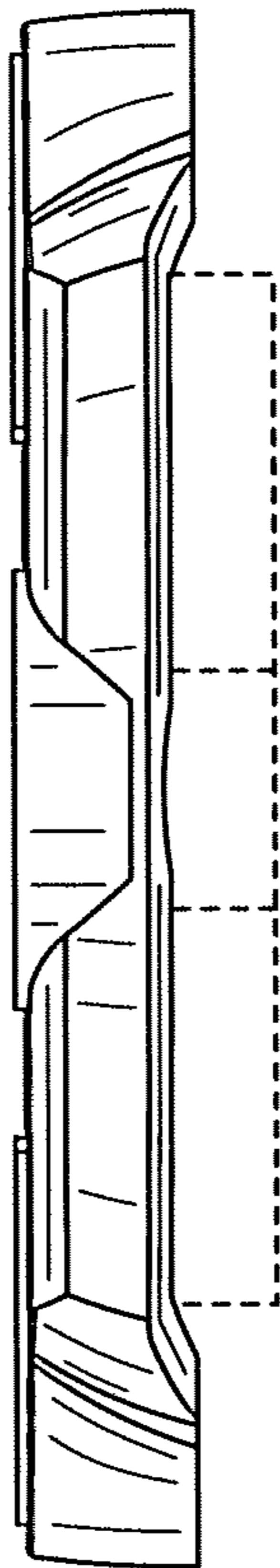


FIG. 8

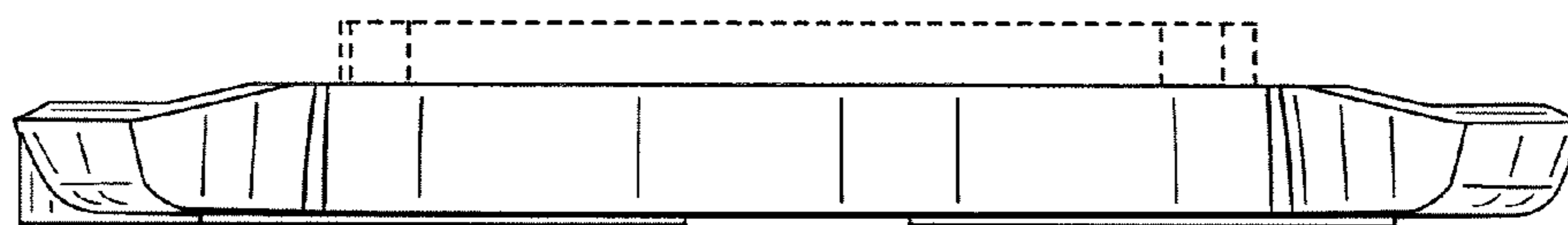


FIG. 9

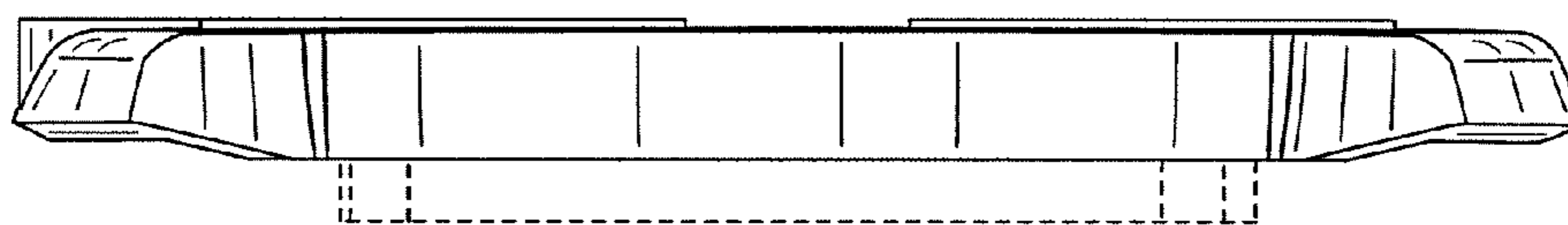


FIG. 10