



US00D681015S

(12) **United States Design Patent**  
**Akana et al.**

(10) **Patent No.:** **US D681,015 S**  
(45) **Date of Patent:** **\*\* Apr. 30, 2013**

(54) **EARPHONE**

(75) Inventors: **Jody Akana**, San Francisco, CA (US);  
**Bartley K. Andre**, Menlo Park, CA (US); **Jeremy Bataillou**, San Francisco, CA (US); **Daniel J. Coster**, San Francisco, CA (US); **Daniele De Iuliis**, San Francisco, CA (US); **M. Evans Hankey**, San Francisco, CA (US); **Julian Hoenig**, San Francisco, CA (US); **Richard P. Howarth**, San Francisco, CA (US); **Jonathan P. Ive**, San Francisco, CA (US); **Duncan Robert Kerr**, San Francisco, CA (US); **Shin Nishibori**, Kailua, HI (US); **Matthew Dean Rohrbach**, San Francisco, CA (US); **Peter Russell-Clarke**, San Francisco, CA (US); **Christopher J. Stringer**, Woodside, CA (US); **Eugene Antony Whang**, San Francisco, CA (US); **Rico Zorkendorfer**, San Francisco, CA (US)

(73) Assignee: **Apple Inc.**, Cupertino, CA (US)

(\*\*) Term: **14 Years**

(21) Appl. No.: **29/431,563**

(22) Filed: **Sep. 8, 2012**

(51) **LOC (9) Cl.** ..... **14-01**

(52) **U.S. Cl.**  
USPC ..... **D14/223**

(58) **Field of Classification Search** ..... D14/223;  
D24/106, 174; 181/129, 130, 135; 379/430,  
379/431, 428.01, 428.02, 433.02; 381/380,  
381/381, 322, 372; 128/864, 865; 600/559;  
455/90.3, 575.1

See application file for complete search history.

(56) **References Cited**

U.S. PATENT DOCUMENTS

|           |      |         |                 |            |
|-----------|------|---------|-----------------|------------|
| 4,965,838 | A    | 10/1990 | Kamon et al.    |            |
| D337,118  | S    | 7/1993  | Seikita         |            |
| D353,379  | S    | 12/1994 | Nakamura et al. |            |
| 6,122,369 | A *  | 9/2000  | Hwang et al.    | 379/420.04 |
| D469,753  | S    | 2/2003  | Andre et al.    |            |
| 6,731,772 | B1 * | 5/2004  | Byun            | 381/380    |
| D506,744  | S    | 6/2005  | Andre et al.    |            |
| D523,846  | S *  | 6/2006  | Lee             | D14/205    |

(Continued)

OTHER PUBLICATIONS

“iBlink WLP3 Earbuds—100Hz-10kHz, Noise Isolation, 3.5mm Jack, LED Light (Pink), White,” TigerDirect.com, accessed at [http://www.tigerdirect.com/applications/SearchTools/item-details.asp?EdpNo=3988300&csid=\\_61](http://www.tigerdirect.com/applications/SearchTools/item-details.asp?EdpNo=3988300&csid=_61), last accessed on Jan. 31, 2013; 4 pages.

(Continued)

*Primary Examiner* — Paula Greene

(74) *Attorney, Agent, or Firm* — Sterne, Kessler, Goldstein & Fox P.L.L.C.

(57) **CLAIM**

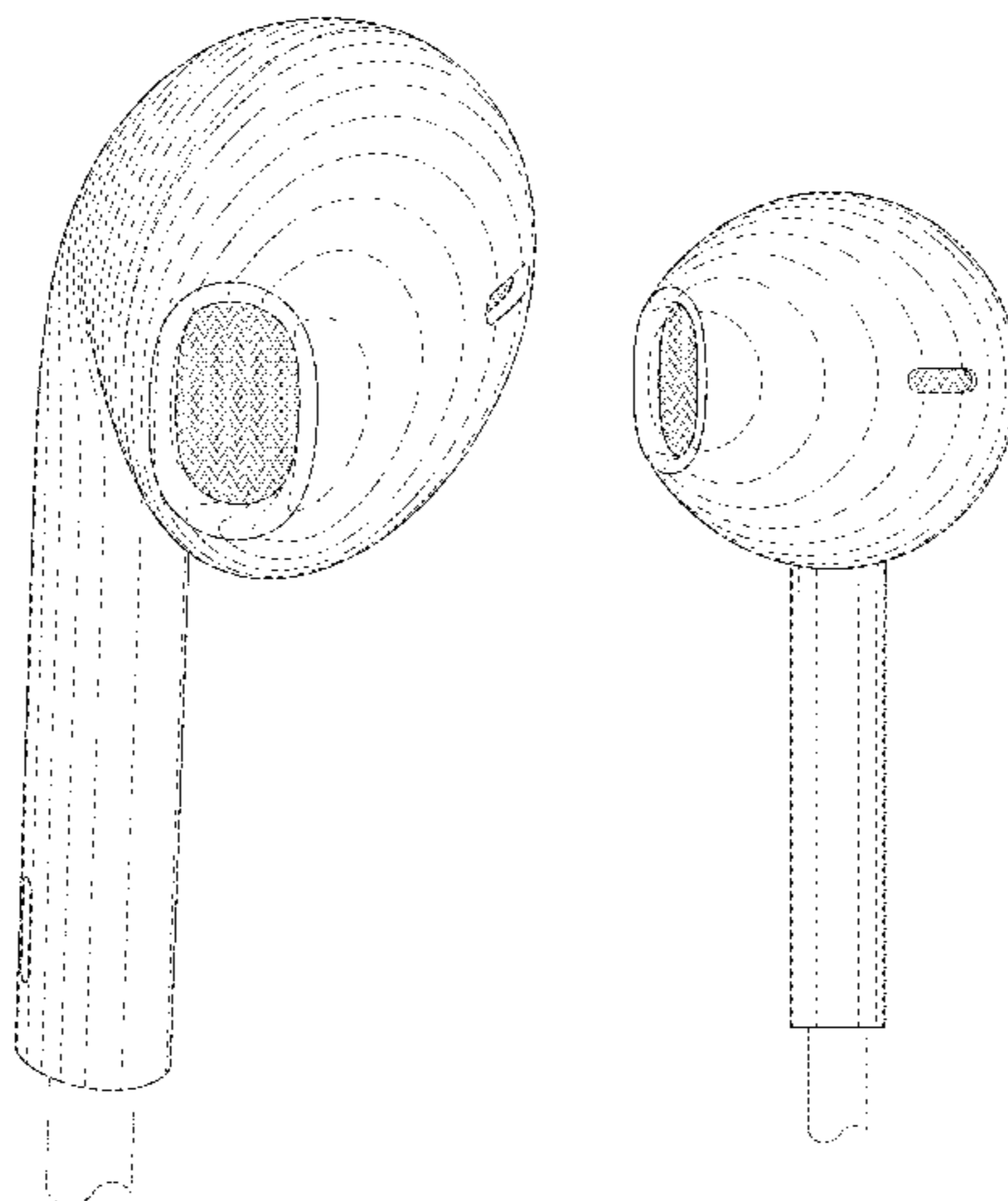
The ornamental design for an earphone, as shown and described.

**DESCRIPTION**

FIG. 1 is a front perspective view of an earphone showing our new design;  
FIG. 2 is a rear perspective view thereof;  
FIG. 3 is a front view thereof;  
FIG. 4 is a rear view thereof;  
FIG. 5 is a right side view thereof;  
FIG. 6 is a left side view thereof;  
FIG. 7 is a top view thereof; and,  
FIG. 8 is a bottom view thereof.

The broken lines in the Figures show portions of the earphone which form no part of the claimed design.  
The shade lines in the Figures show contour and not surface ornamentation.

**1 Claim, 5 Drawing Sheets**



# US D681,015 S

Page 2

## U.S. PATENT DOCUMENTS

D533,868 S \* 12/2006 Koizumi ..... D14/223  
D554,109 S 10/2007 Ledbetter et al.  
D568,291 S 5/2008 Andre et al.  
D573,977 S 7/2008 Ledbetter et al.  
D575,269 S 8/2008 Ledbetter et al.  
D578,518 S 10/2008 Ewert  
D579,923 S 11/2008 Andre et al.  
D587,677 S 3/2009 Andre et al.  
D589,491 S \* 3/2009 Andre et al. .... D14/205  
D589,498 S 3/2009 Komiyama  
D590,375 S 4/2009 Komiyama  
D593,537 S 6/2009 Arimoto  
D596,616 S 7/2009 Andre et al.  
D599,330 S 9/2009 Andre et al.  
D618,209 S 6/2010 Andre et al.  
D618,210 S 6/2010 Andre et al.  
D618,219 S 6/2010 Burgett et al.  
D627,766 S \* 11/2010 Arimoto ..... D14/223  
D639,279 S \* 6/2011 Andre et al. .... D14/223  
D652,823 S 1/2012 Chen  
D656,481 S \* 3/2012 McManigal ..... D14/205  
D662,493 S 6/2012 Chen  
D662,495 S \* 6/2012 Andre et al. .... D14/223

D675,194 S \* 1/2013 Andre et al. .... D14/223  
8,345,912 B2 \* 1/2013 Akihiko et al. .... 381/381  
D676,427 S \* 2/2013 Yang ..... D14/223  
2012/0237074 A1 9/2012 Aase

## OTHER PUBLICATIONS

“Philips SHE2650/37 In-Ear Earbuds with Twin Vents,” ShoppingNexus.com, accessed at <http://www.shoppingnexus.com/electronics/pr/philips-she265037-in-ear-earbuds-with-twin-ventsl.html>, last accessed on Jan. 31, 2013; 1 page.

U.S. Appl. No. 29/444,234, Andre et al., “Earphone,” filed Jan. 28, 2013 (Not Published).

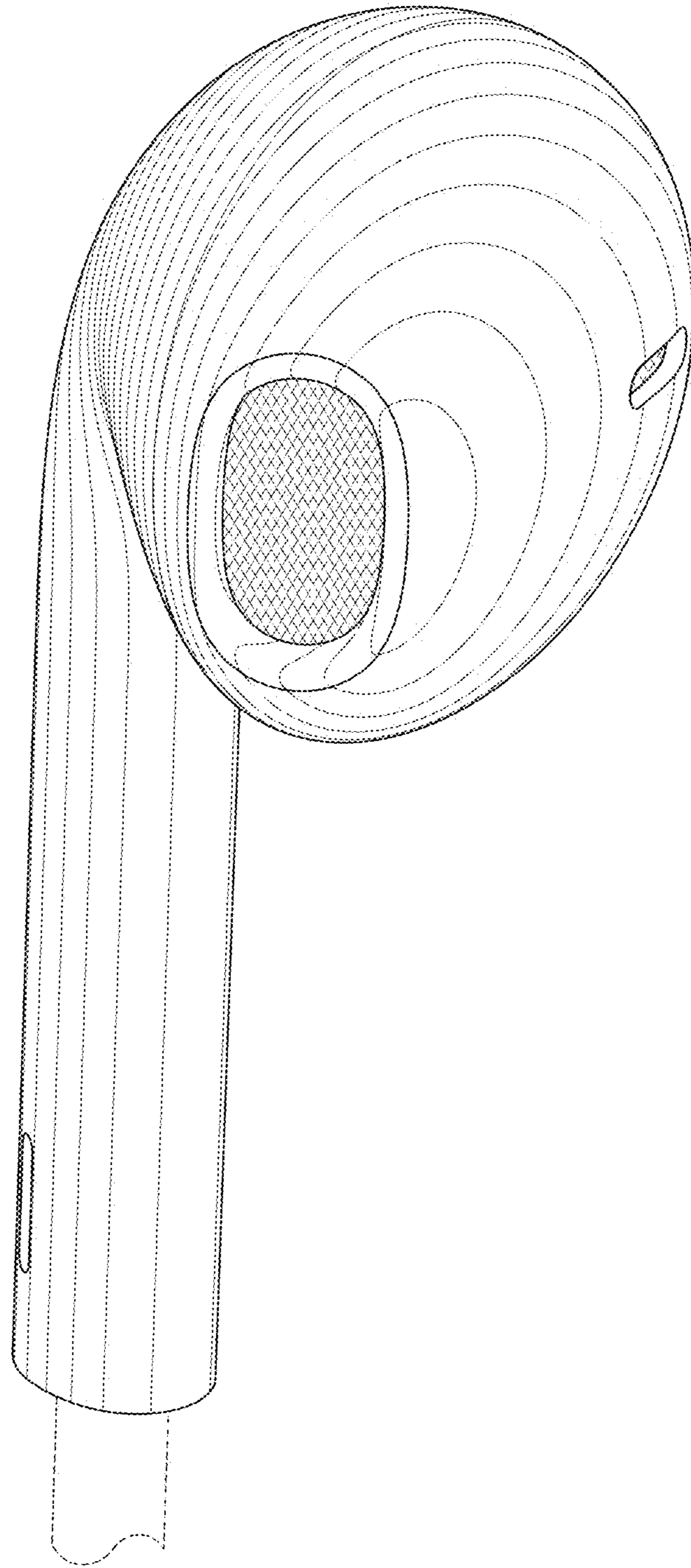
U.S. Appl. No. 29/432,033, “Electronic Device and Earphones,” filed Sep. 12, 2012 (Not Published).

U.S. Appl. No. 29/731,876, “Packaging with Accessory,” filed Sep. 12, 2012 (Not Published).

U.S. Appl. No. 29/431,868, “Packaging,” filed Sep. 11, 2012 (Not Published).

U.S. Appl. No. 29/431,731, “Stand,” filed Sep. 11, 2012 (Not Published).

\* cited by examiner



**FIG. 1**

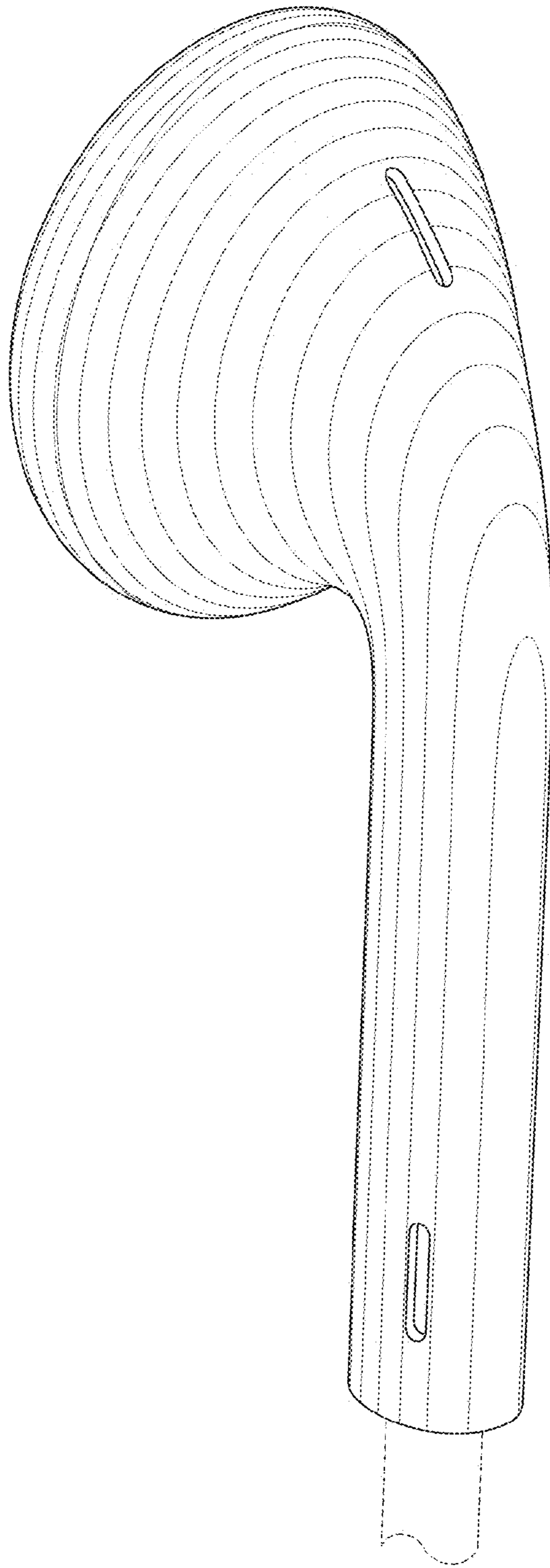


FIG. 2

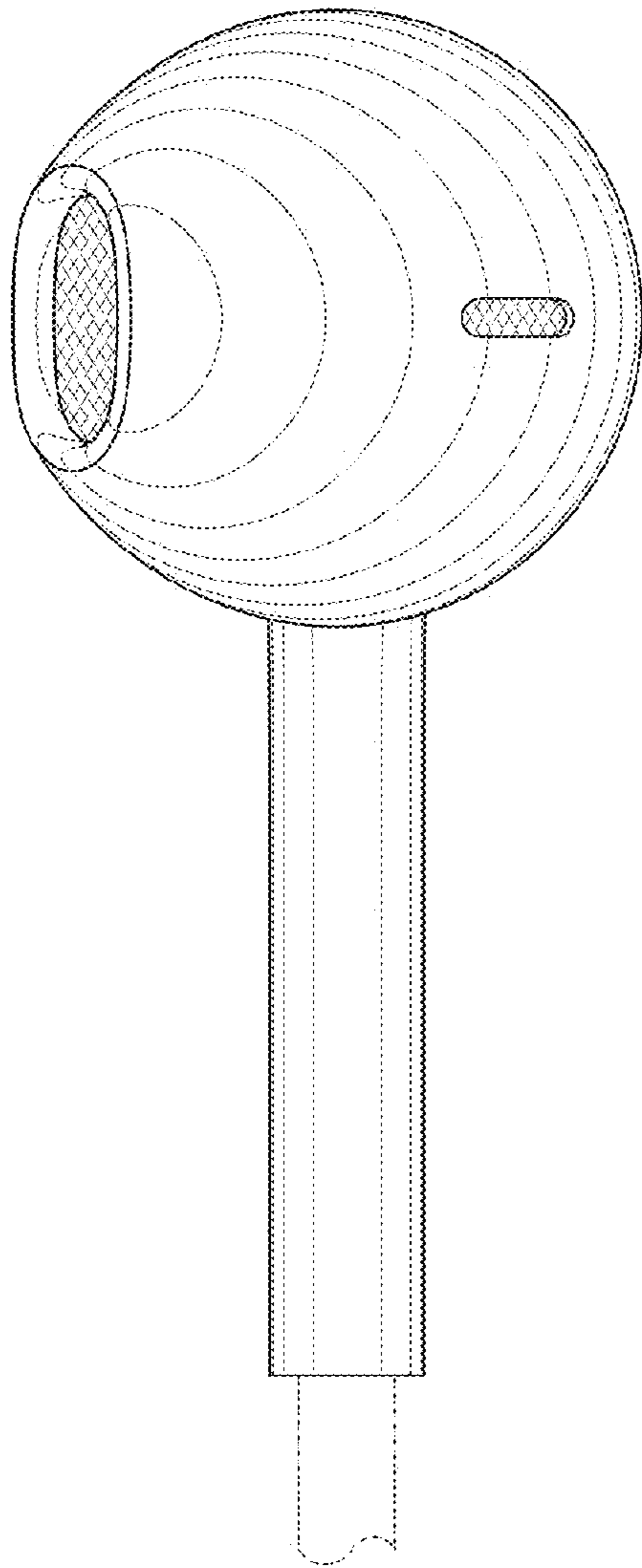


FIG. 3

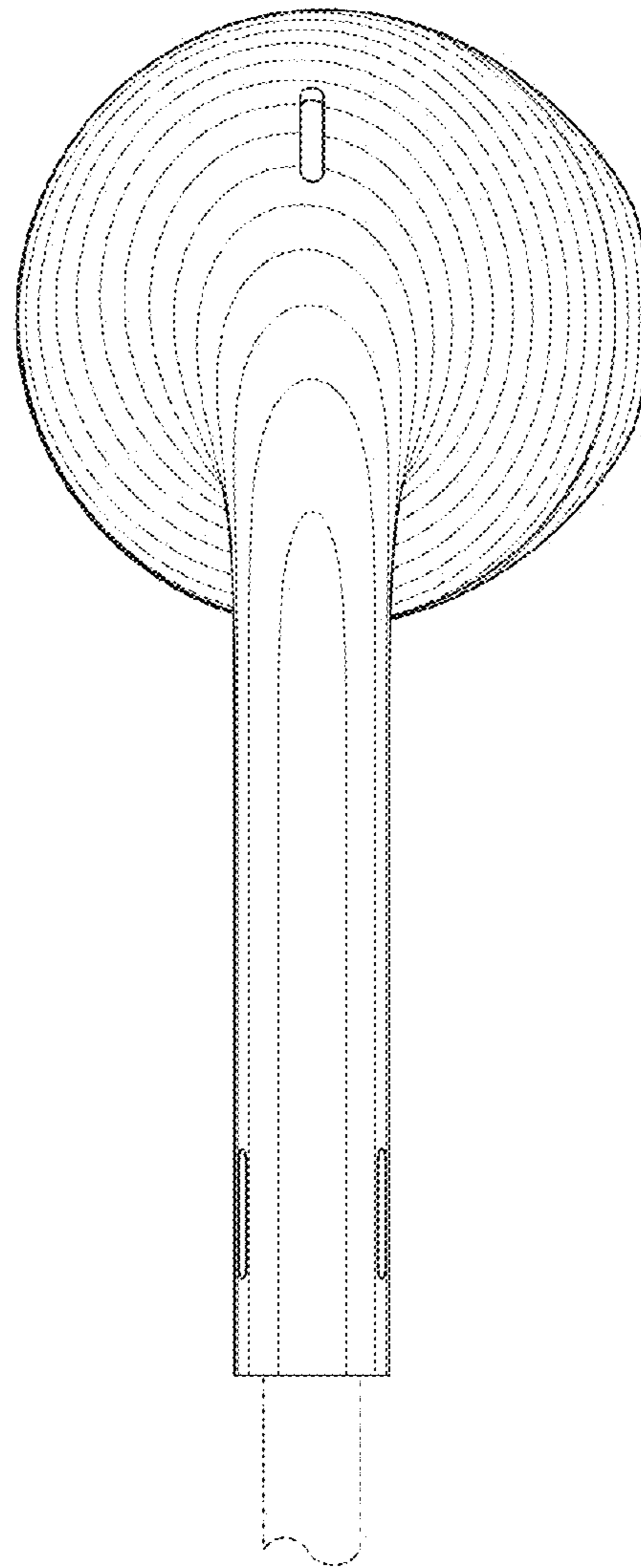


FIG. 4

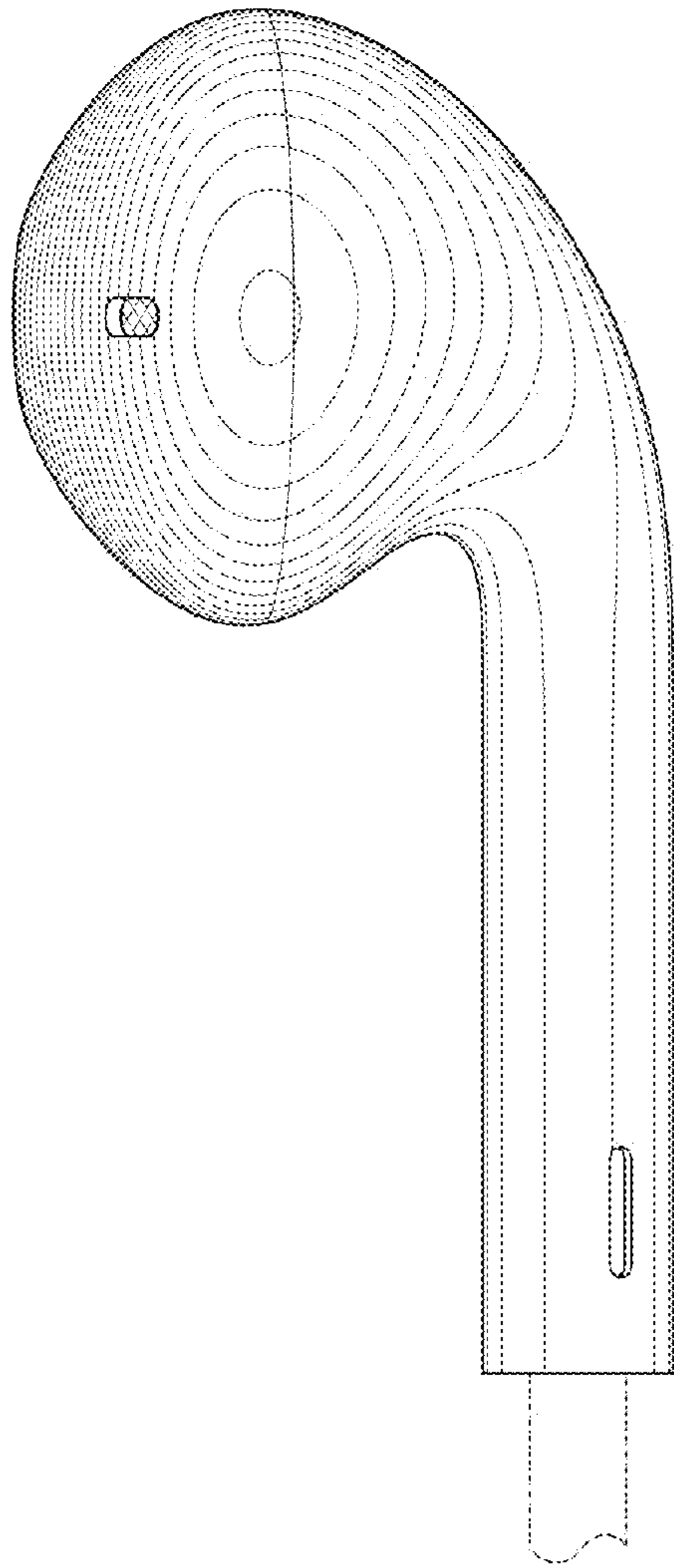


FIG. 5

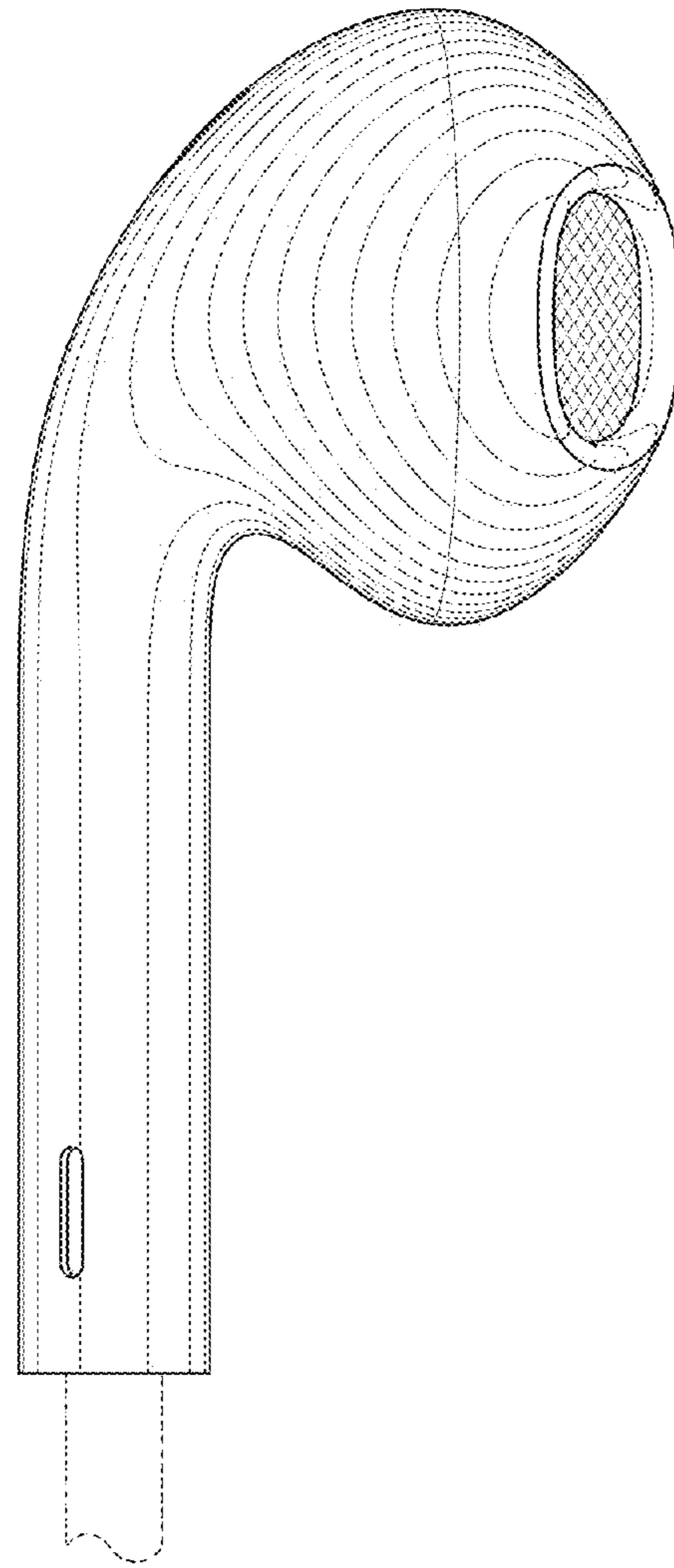


FIG. 6

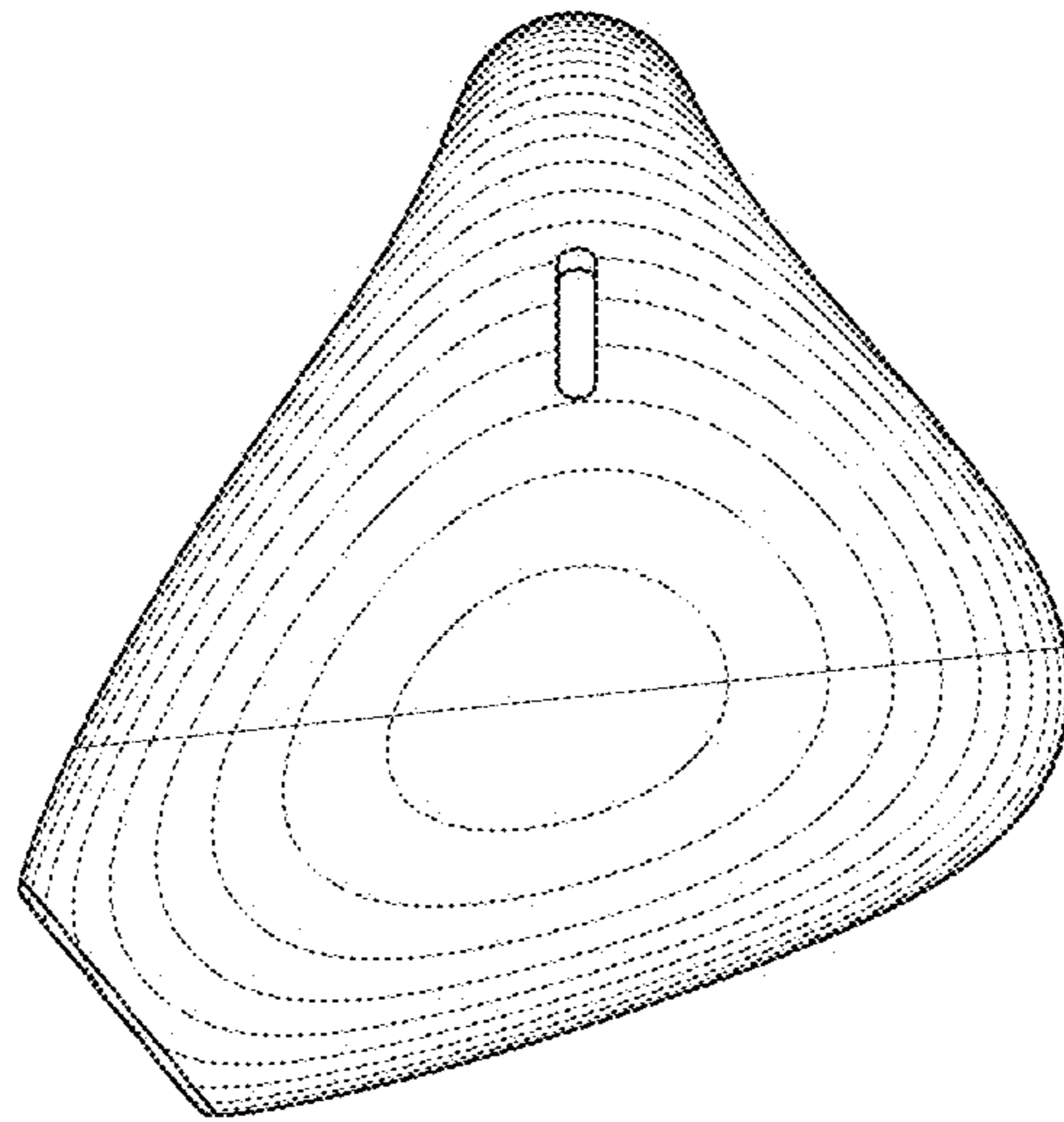


FIG. 7

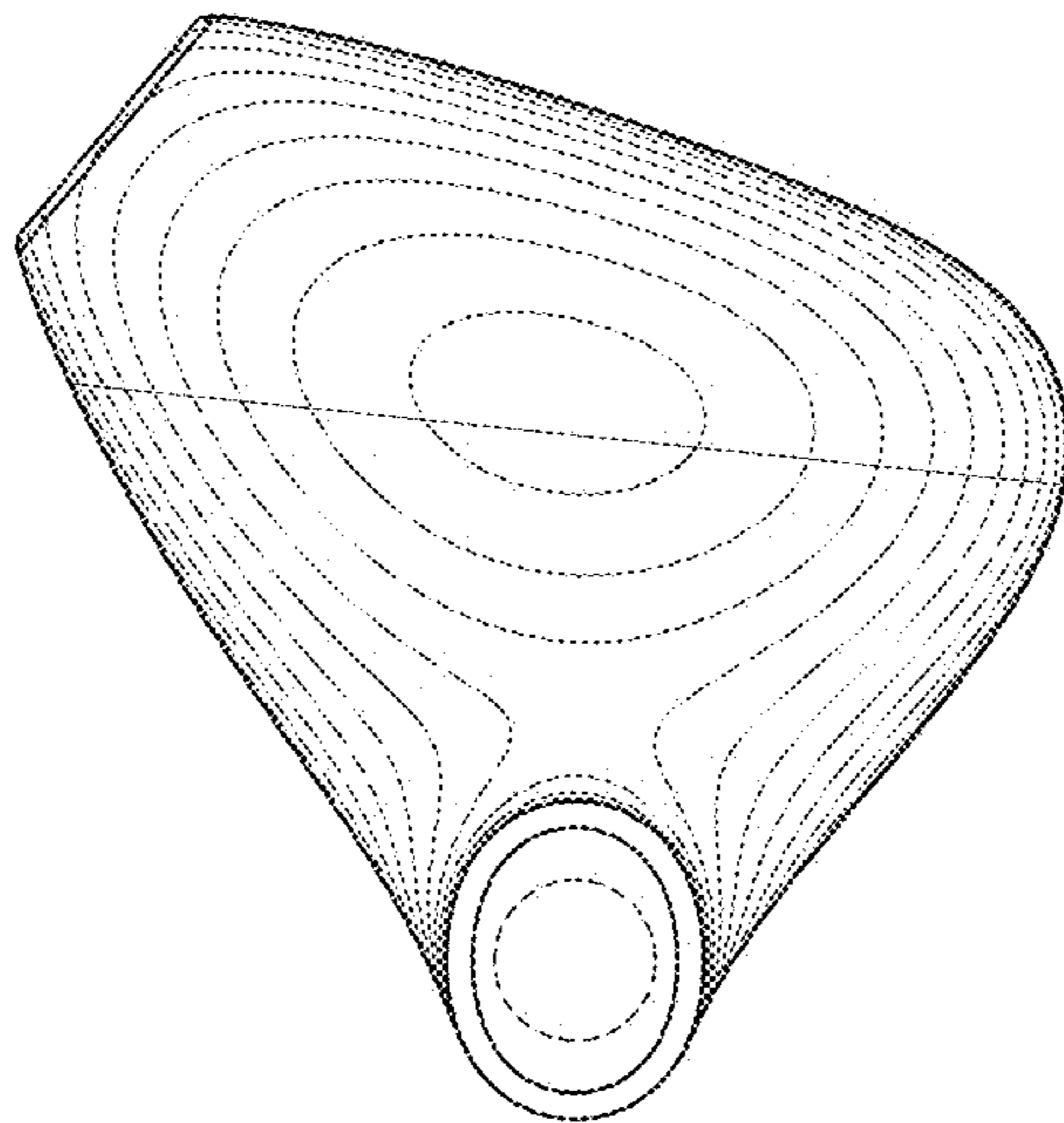


FIG. 8

UNITED STATES PATENT AND TRADEMARK OFFICE  
**CERTIFICATE OF CORRECTION**

PATENT NO. : D681,015 S  
APPLICATION NO. : 29/431563  
DATED : April 30, 2013  
INVENTOR(S) : Akana et al.

Page 1 of 7

It is certified that error appears in the above-identified patent and that said Letters Patent is hereby corrected as shown below:

Title page should be deleted and substitute therefor the attached title page.

In the Drawings:

Figures 1 through 8 should be deleted and replaced with new Figures 1 through 8, provided herewith as Replacement Sheets.

Signed and Sealed this  
First Day of October, 2013



Teresa Stanek Rea  
*Deputy Director of the United States Patent and Trademark Office*



(12) **United States Design Patent**  
Akana et al.

(10) **Patent No.:** US D681,015 S  
(45) **Date of Patent:** \*\* Apr. 30, 2013

(54) **EARPHONE**

(56) **References Cited**

(75) **Inventors:** Jody Akana, San Francisco, CA (US);  
Bartley K. Andre, Menlo Park, CA  
(US); Jeremy Bataillon, San Francisco,  
CA (US); Daniel J. Coster, San  
Francisco, CA (US); Daniele De Iulius,  
San Francisco, CA (US); M. Evans  
Hankey, San Francisco, CA (US);  
Julian Hoenig, San Francisco, CA (US);  
Richard P. Howarth, San Francisco, CA  
(US); Jonathan P. Ive, San Francisco,  
CA (US); Duncan Robert Kerr, San  
Francisco, CA (US); Shin Nishibori,  
Kailua, HI (US); Matthew Dean  
Rohrbach, San Francisco, CA (US);  
Peter Russell-Clarke, San Francisco,  
CA (US); Christopher J. Stringer,  
Woodside, CA (US); Eugene Antony  
Whang, San Francisco, CA (US); Rico  
Zorkendorfer, San Francisco, CA (US)

U.S. PATENT DOCUMENTS

|           |      |         |                              |
|-----------|------|---------|------------------------------|
| 4,965,838 | A    | 10/1990 | Kamon et al                  |
| D337,118  | S    | 7/1993  | Seikita                      |
| D353,379  | S    | 12/1994 | Nakamura et al.              |
| 6,122,369 | A *  | 9/2000  | Hwang et al. .... 379:420.04 |
| D469,753  | S    | 2/2003  | Andre et al.                 |
| 6,731,772 | B1 * | 5/2004  | Byun ..... 381:380           |
| D506,744  | S    | 6/2005  | Andre et al.                 |
| D523,846  | S *  | 6/2006  | Lee ..... D14:205            |

(Continued)

OTHER PUBLICATIONS

"iBlink WLP3 Earbuds—100Hz-10kHz, Noise Isolation, 3.5mm Jack, LED Light (Pink), White," TigerDirect.com, accessed at [http://www.tigerdirect.com/applications/SearchTools/item-details.asp?EdpNo=3988300&csid=\\_61](http://www.tigerdirect.com/applications/SearchTools/item-details.asp?EdpNo=3988300&csid=_61), last accessed on Jan. 31, 2013; 4 pages.

(Continued)

*Primary Examiner* — Paula Greene  
(74) *Attorney, Agent, or Firm* — Sterne, Kessler, Goldstein & Fox P.L.L.C.

**CLAIM**

(57) The ornamental design for an earphone, as shown and described.

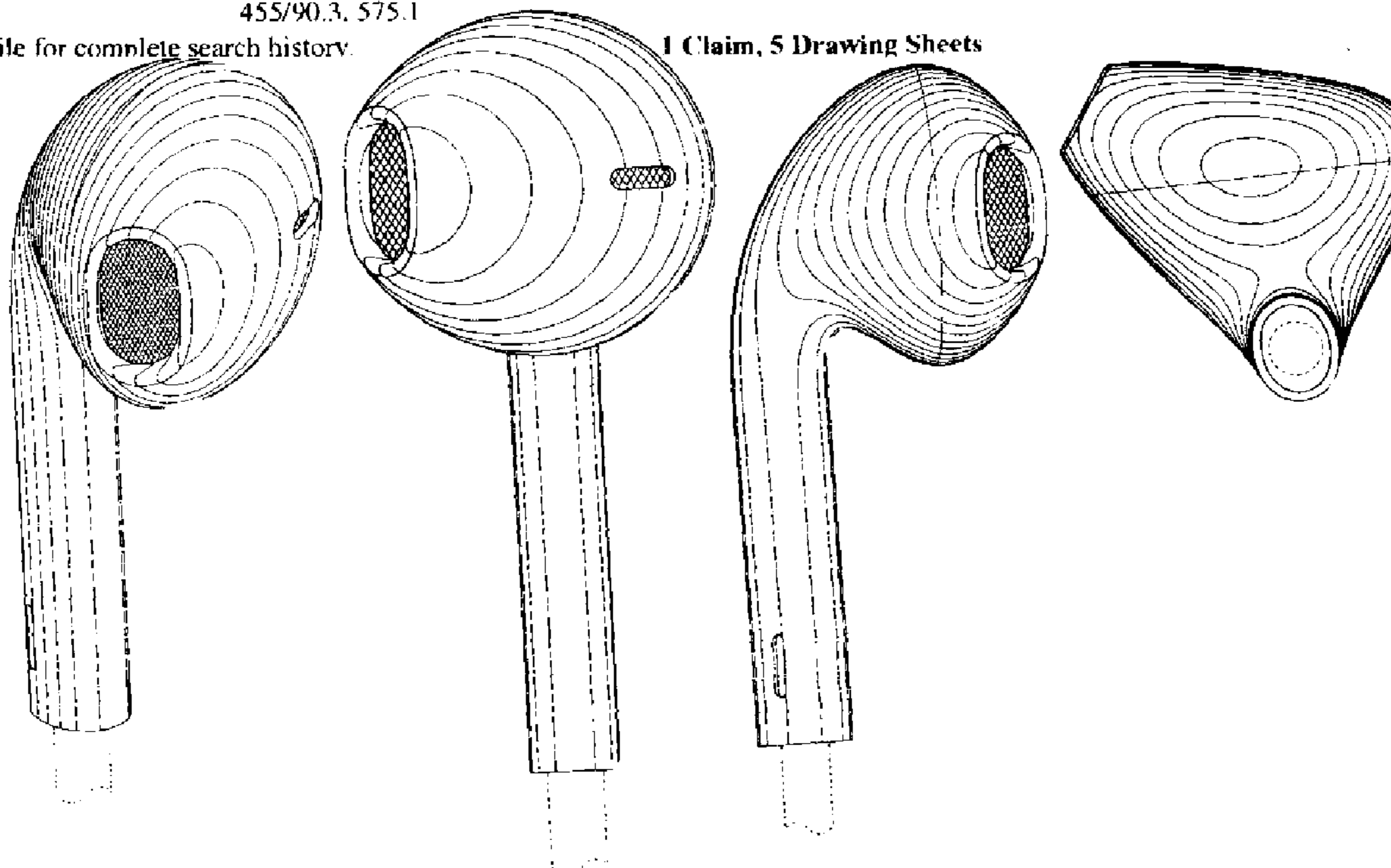
**DESCRIPTION**

FIG. 1 is a front perspective view of an earphone showing our new design;  
FIG. 2 is a rear perspective view thereof;  
FIG. 3 is a front view thereof;  
FIG. 4 is a rear view thereof;  
FIG. 5 is a right side view thereof;  
FIG. 6 is a left side view thereof;  
FIG. 7 is a top view thereof; and,  
FIG. 8 is a bottom view thereof.  
The broken lines in the Figures show portions of the earphone which form no part of the claimed design.  
The shade lines in the Figures show contour and not surface ornamentation.

(73) **Assignee:** Apple Inc., Cupertino, CA (US)  
(\*\*) **Term:** 14 Years  
(21) **Appl. No.:** 29/431,563  
(22) **Filed:** Sep. 8, 2012  
(51) **LOC (9) Cl.** ..... 14-01  
(52) **U.S. Cl.**  
USPC ..... D14/223  
(58) **Field of Classification Search** ..... D14/223;  
D24/106, 174; 181/129, 130, 135; 379/430,  
379/431, 428.01, 428.02, 433.02; 381/380,  
381/381, 322, 372; 128/864, 865; 600/559;  
455/90.3, 575.1

See application file for complete search history.

1 Claim, 5 Drawing Sheets



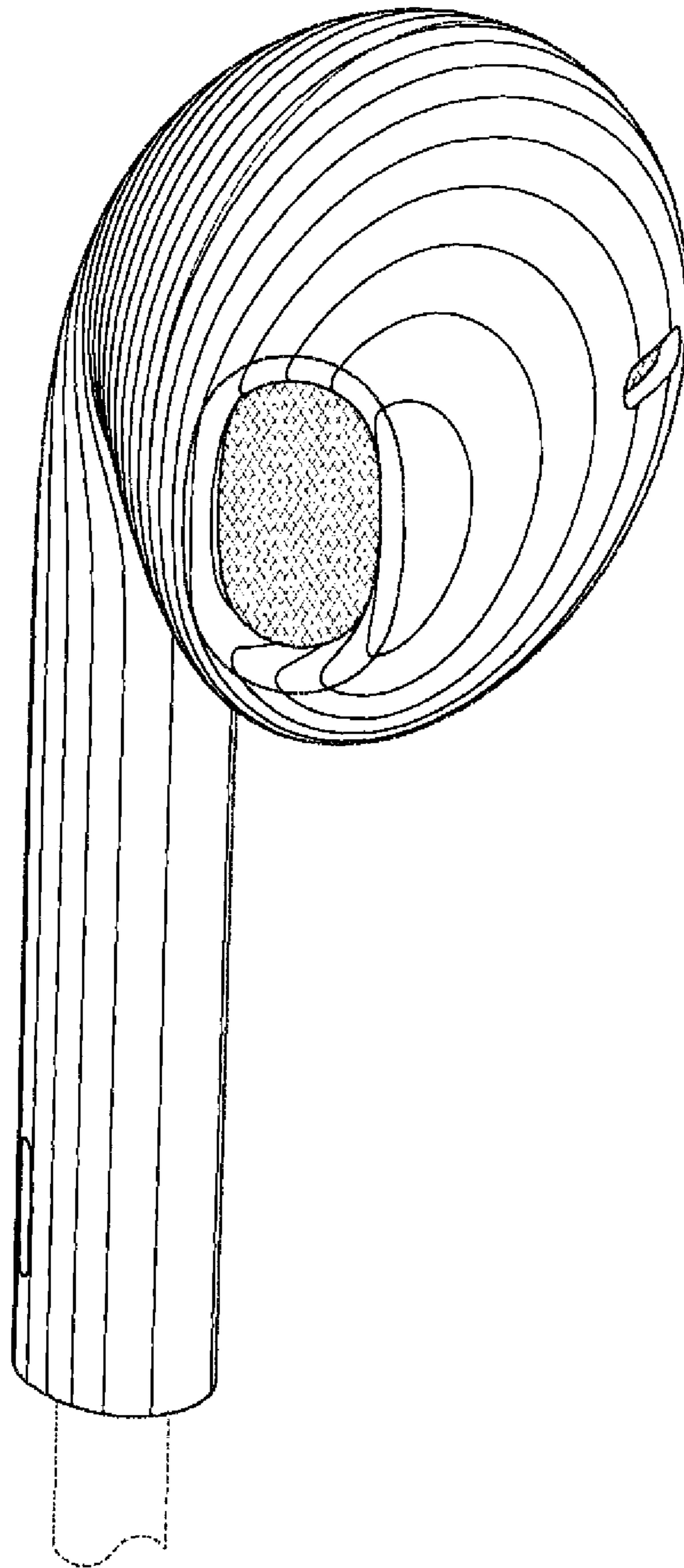


FIG. 1

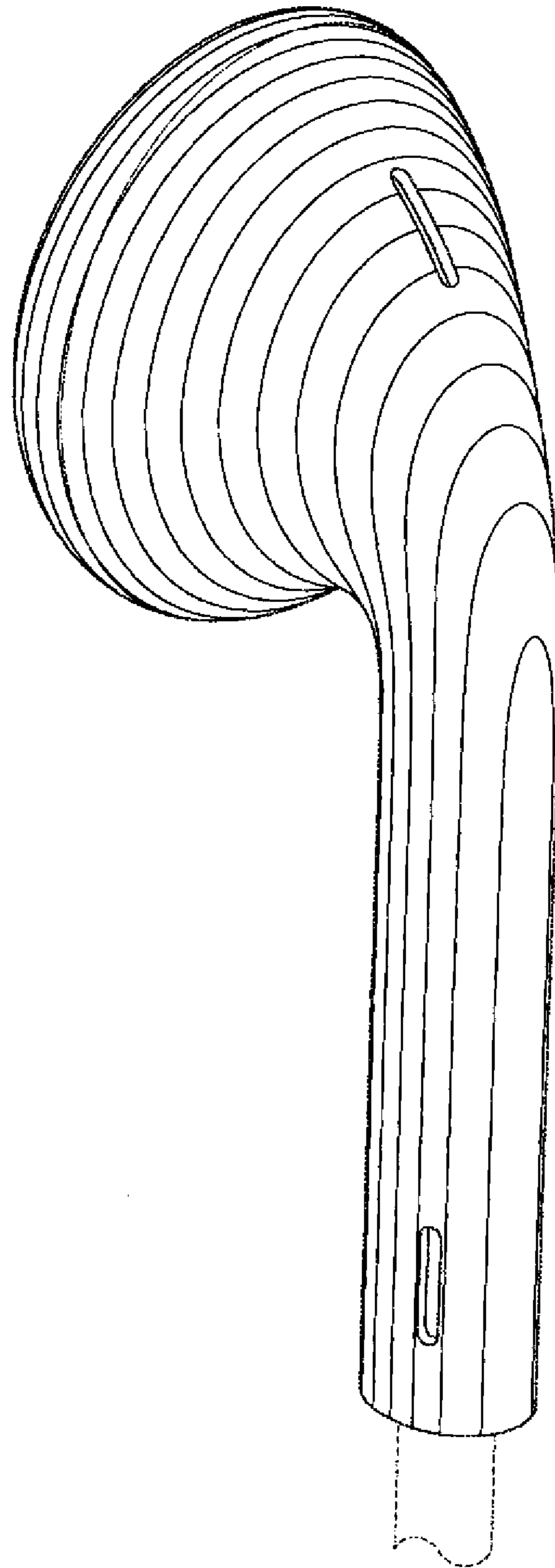


FIG. 2

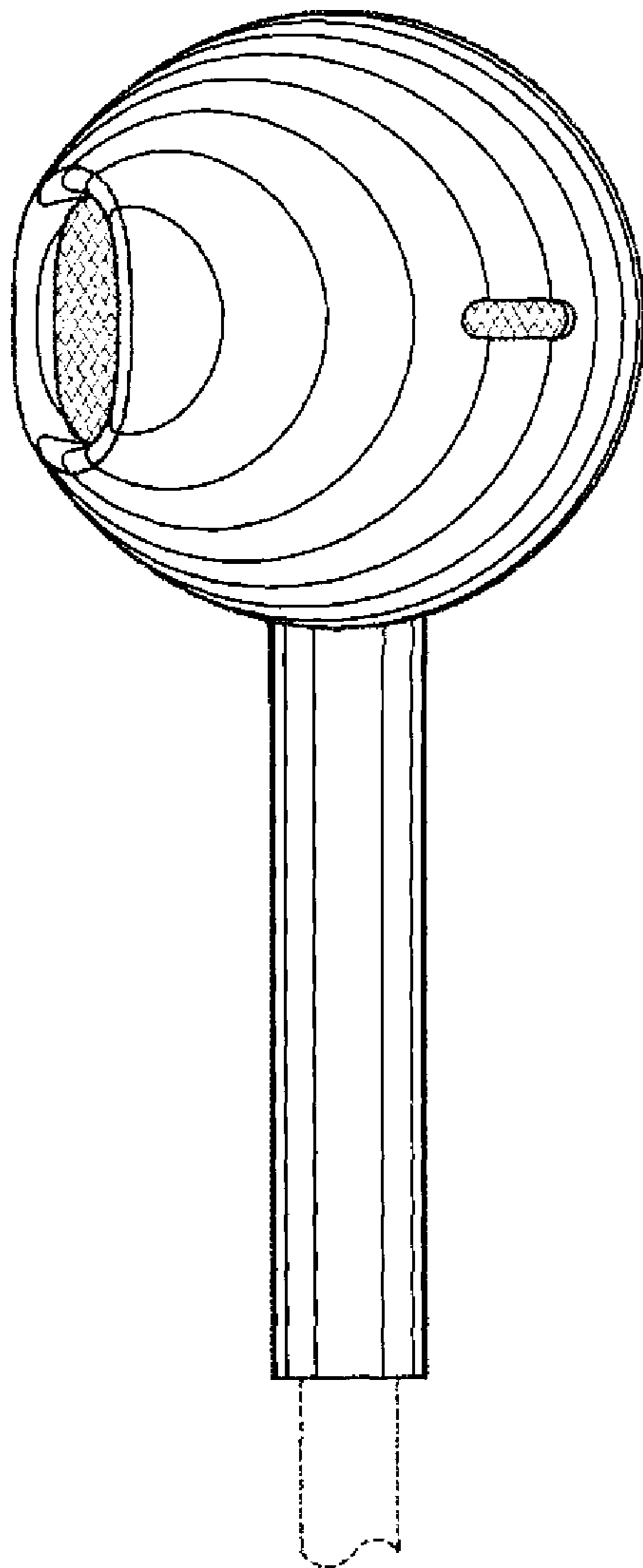


FIG. 3

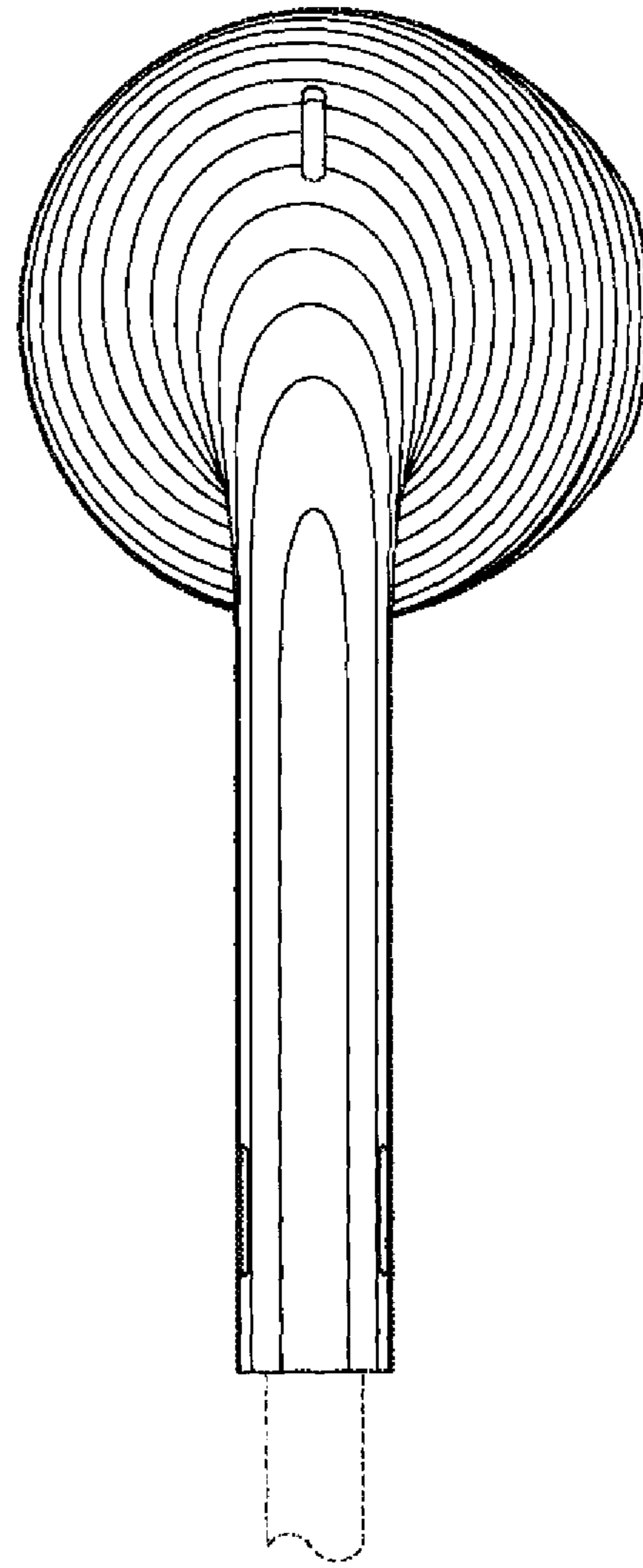


FIG. 4

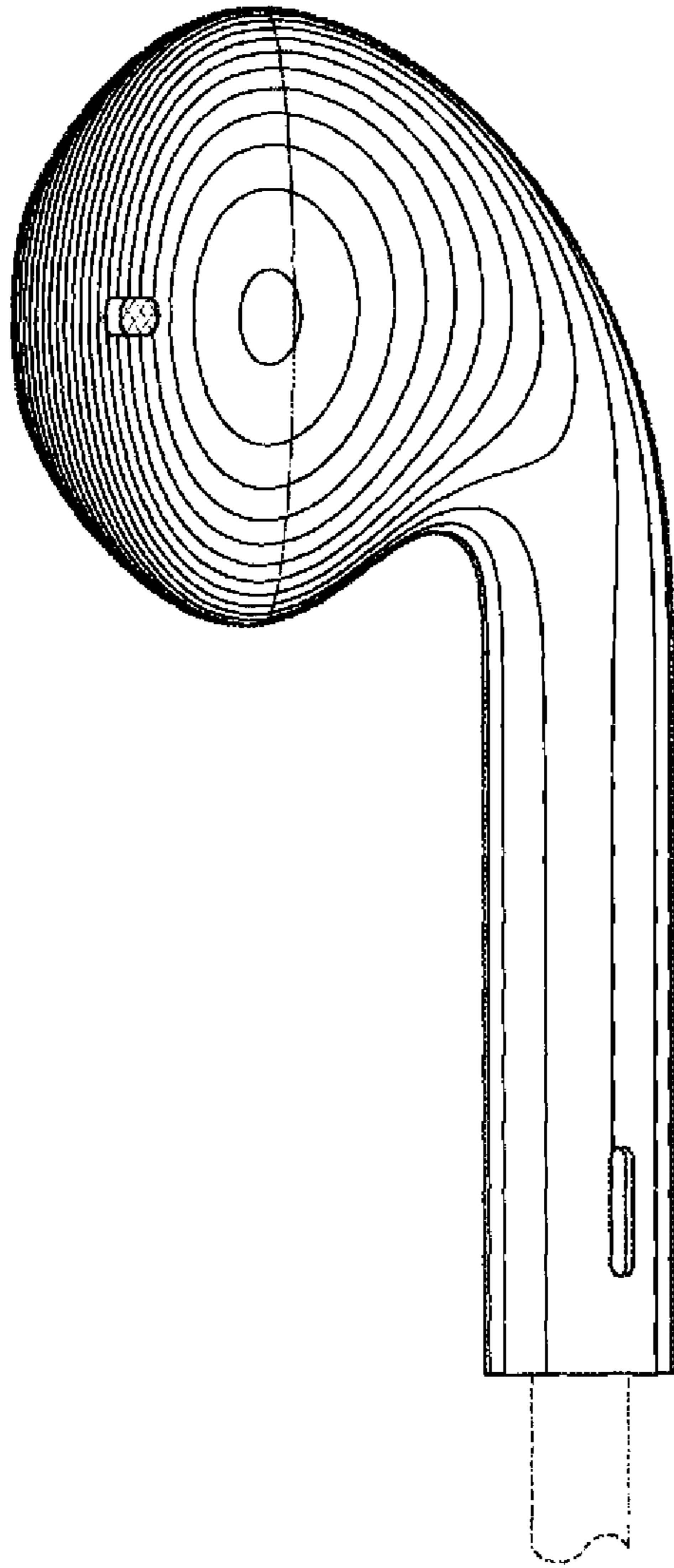


FIG. 5

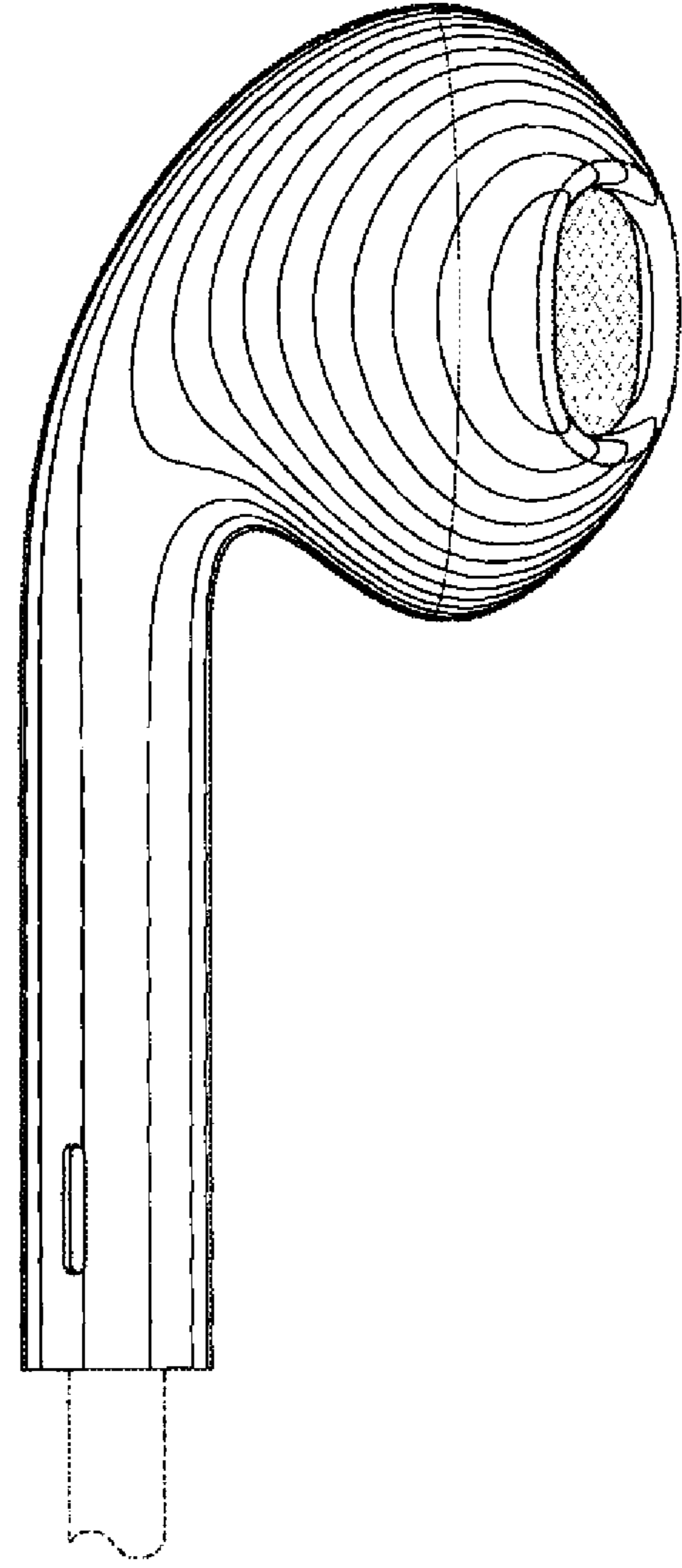


FIG. 6

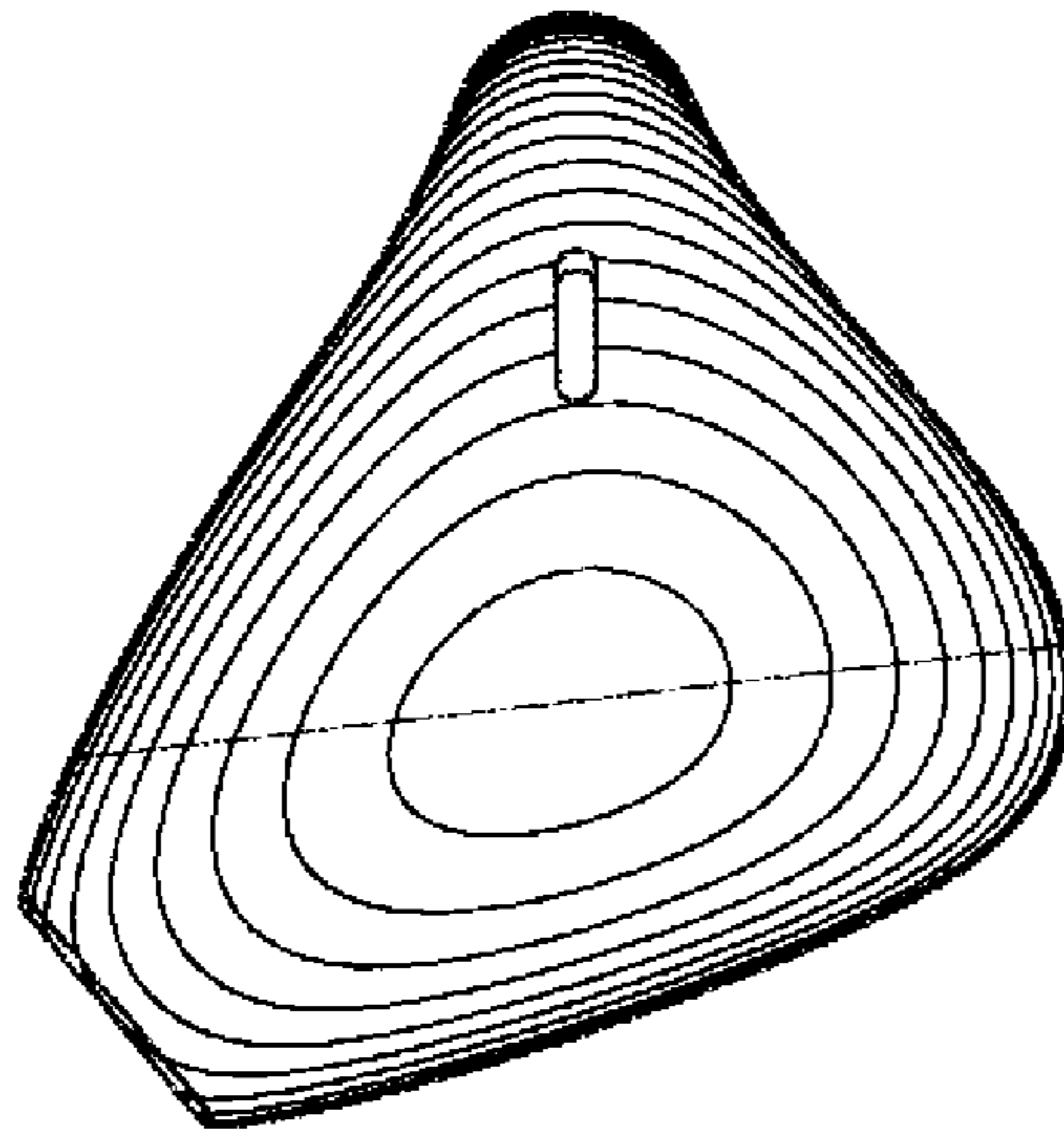


FIG. 7

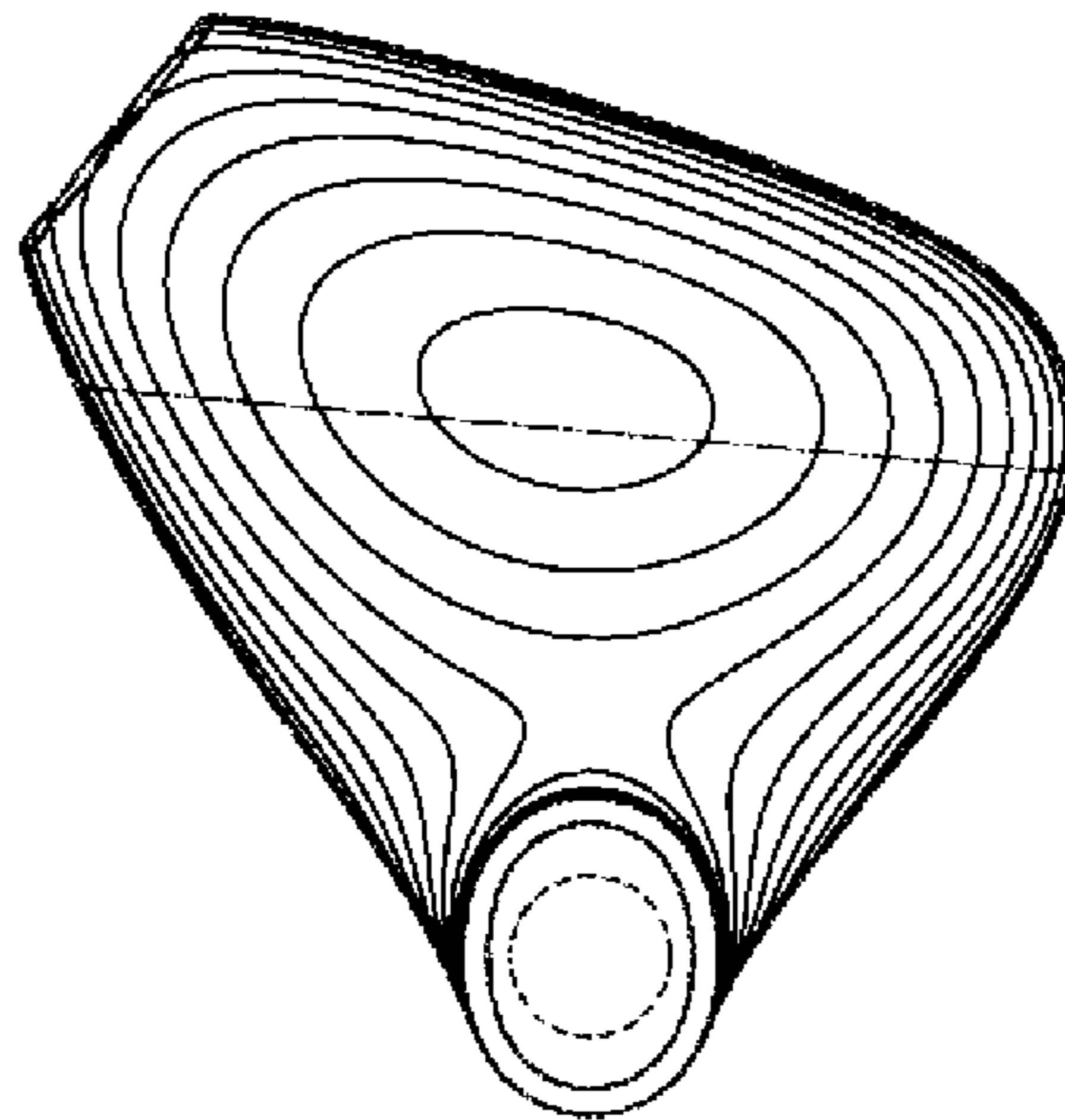


FIG. 8