



US00D681013S

(12) **United States Design Patent**
Massaro

(10) **Patent No.:** **US D681,013 S**

(45) **Date of Patent:** **** Apr. 30, 2013**

(54) **EAR CAN HEADPHONE**

(76) **Inventor:** **Venanzio Massaro, San Diego, CA (US)**

(**) **Term:** **14 Years**

(21) **Appl. No.:** **29/415,592**

(22) **Filed:** **Mar. 12, 2012**

(51) **LOC (9) Cl.** **14-01**

(52) **U.S. Cl.**
USPC **D14/223**

(58) **Field of Classification Search** D14/223,
D14/205, 206; 181/129, 130, 135; 379/430,
379/431; 381/380, 381; D9/518, 903; 455/90.3,
455/575.1

See application file for complete search history.

(56) **References Cited**

U.S. PATENT DOCUMENTS

2,910,679	A *	10/1959	Baldwin	340/575
D241,017	S *	8/1976	Baker	D9/779
D243,833	S *	3/1977	Markert	D9/438
4,559,729	A *	12/1985	White	40/306
D310,025	S *	8/1990	Foley	D9/772
D357,413	S *	4/1995	Kornick et al.	D9/776
D360,340	S *	7/1995	Hitch et al.	D7/604
D393,730	S *	4/1998	Petruzzi	D26/38
D396,916	S *	8/1998	Ochs, Sr.	D34/4
D567,217	S *	4/2008	Kamo et al.	D14/205
D573,978	S *	7/2008	Ledbetter et al.	D14/205
D587,681	S *	3/2009	Yanai	D14/205
D594,441	S *	6/2009	Lee et al.	D14/205
7,551,748	B2 *	6/2009	Kamo et al.	381/380
D599,778	S *	9/2009	Ando	D14/205
D604,181	S *	11/2009	Reimer	D9/766
D605,628	S *	12/2009	Ando	D14/205
D627,764	S *	11/2010	Tsai et al.	D14/223
D629,395	S *	12/2010	Lee et al.	D14/223
D640,852	S *	6/2011	Warlick et al.	D34/4

D643,416	S *	8/2011	Chong et al.	D14/223
D656,922	S *	4/2012	Massaro et al.	D14/223
D660,290	S *	5/2012	Weedon	D14/223
D666,873	S *	9/2012	Gluck	D7/510

* cited by examiner

Primary Examiner — Paula Greene

(74) *Attorney, Agent, or Firm* — Coastal Patent Agency;
Joshua Schoonover

(57) **CLAIM**

I claim the ornamental design for ear can headphone, as shown and described.

DESCRIPTION

FIG. 1 is a front perspective view of ear can headphone showing my new design with two identical ear pieces, each respective ear piece of the ear can headphone resembles a soft drink can;

FIG. 2 is a rear perspective view of one ear piece of the ear can headphone shown separately for ease of illustration;

FIG. 3 is a front perspective view of the ear piece thereof;

FIG. 4 is a side view of the ear piece with an inner ear insulator represented by dashed lines thereof;

FIG. 5 is a side view of the ear piece without the inner-ear insulator thereof;

FIG. 6 is a rear view of the ear piece thereof;

FIG. 7 is a top view of the ear piece thereof;

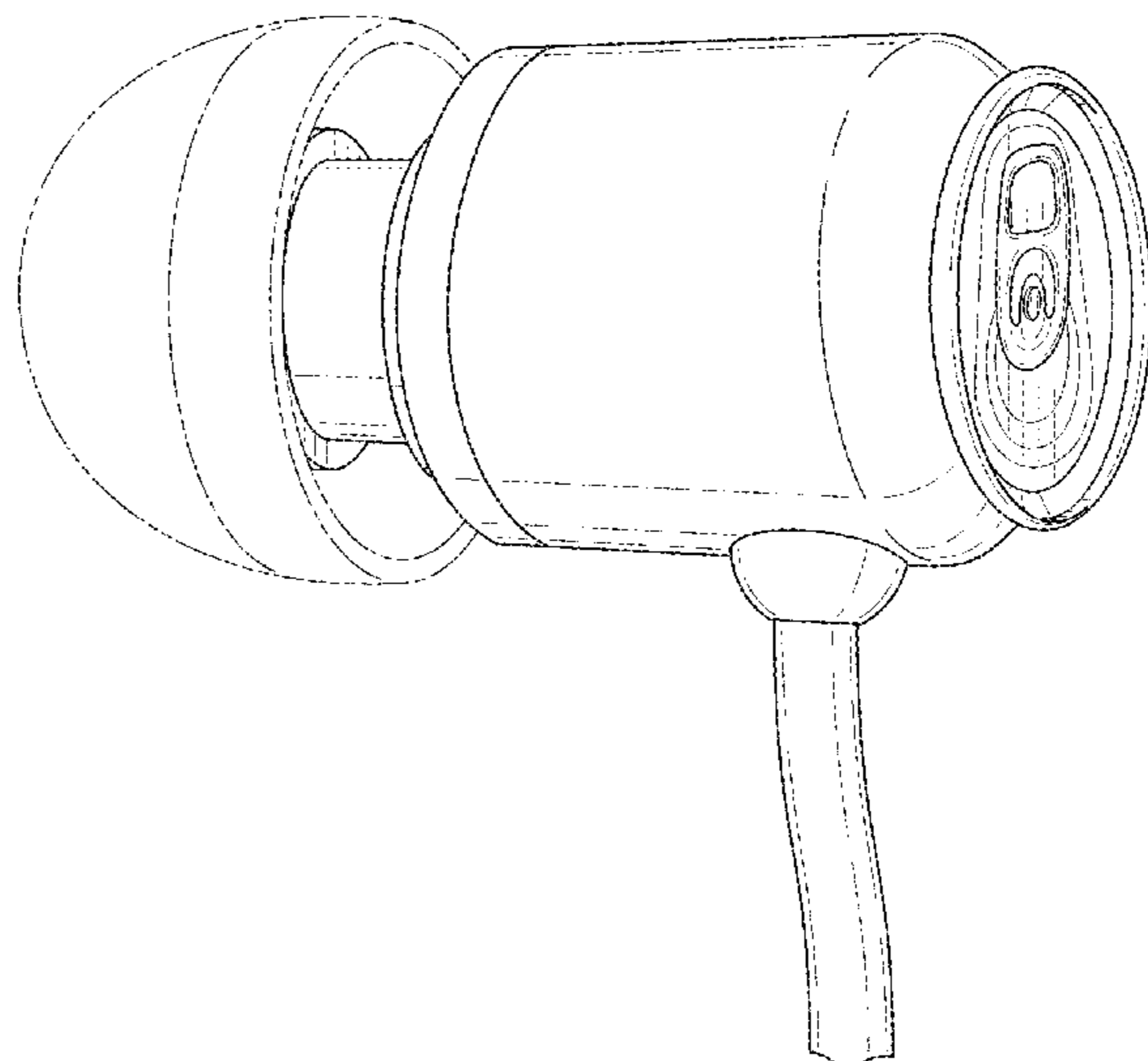
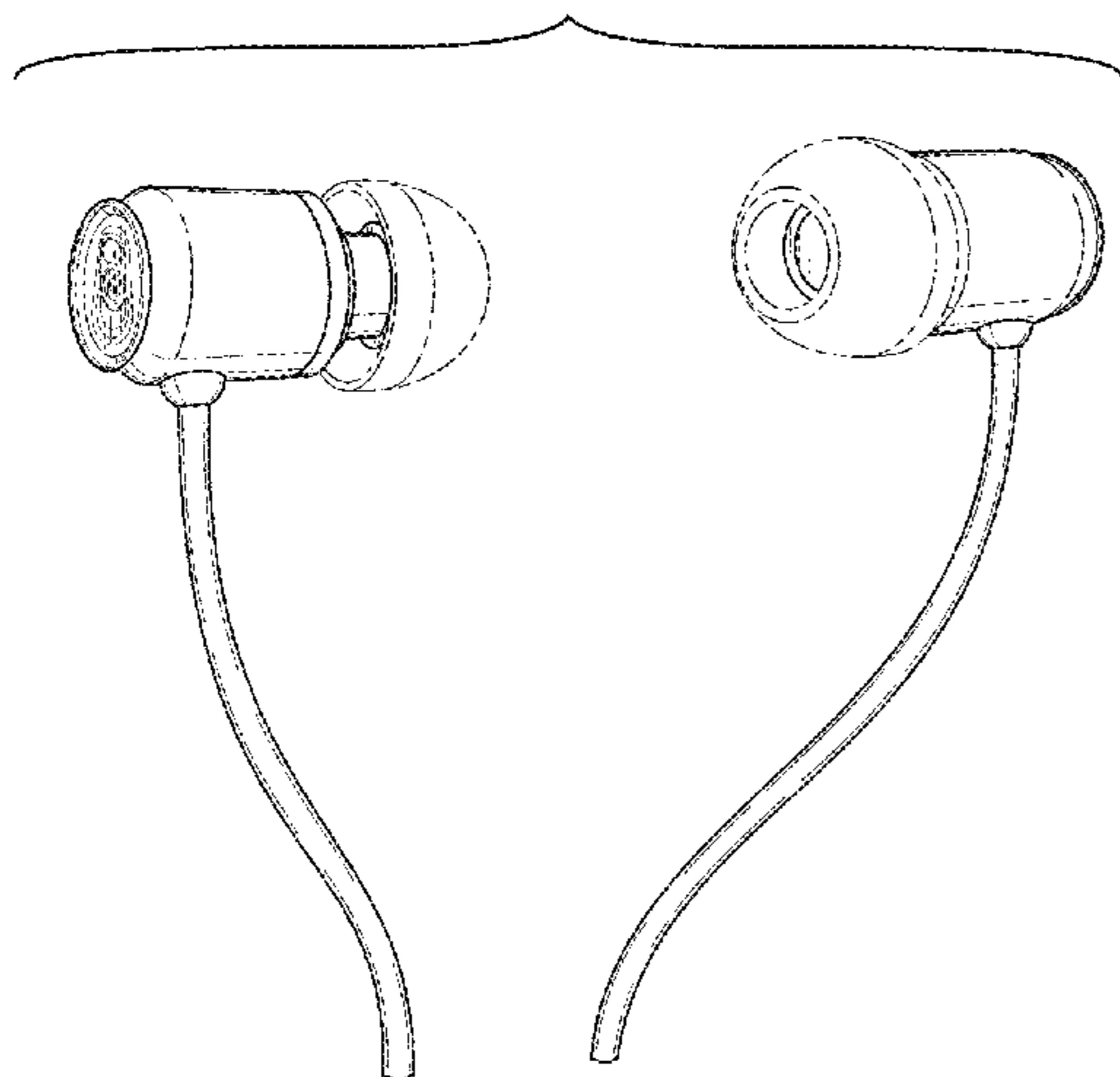
FIG. 8 is a bottom view of the ear piece thereof;

FIG. 9 is a front view of the ear piece without the inner ear insulator thereof; and,

FIG. 10 is a front view of the ear piece with dashed lines representing the inner ear insulator as unclaimed subject matter thereof.

The broken lines form no part of the design.

1 Claim, 4 Drawing Sheets



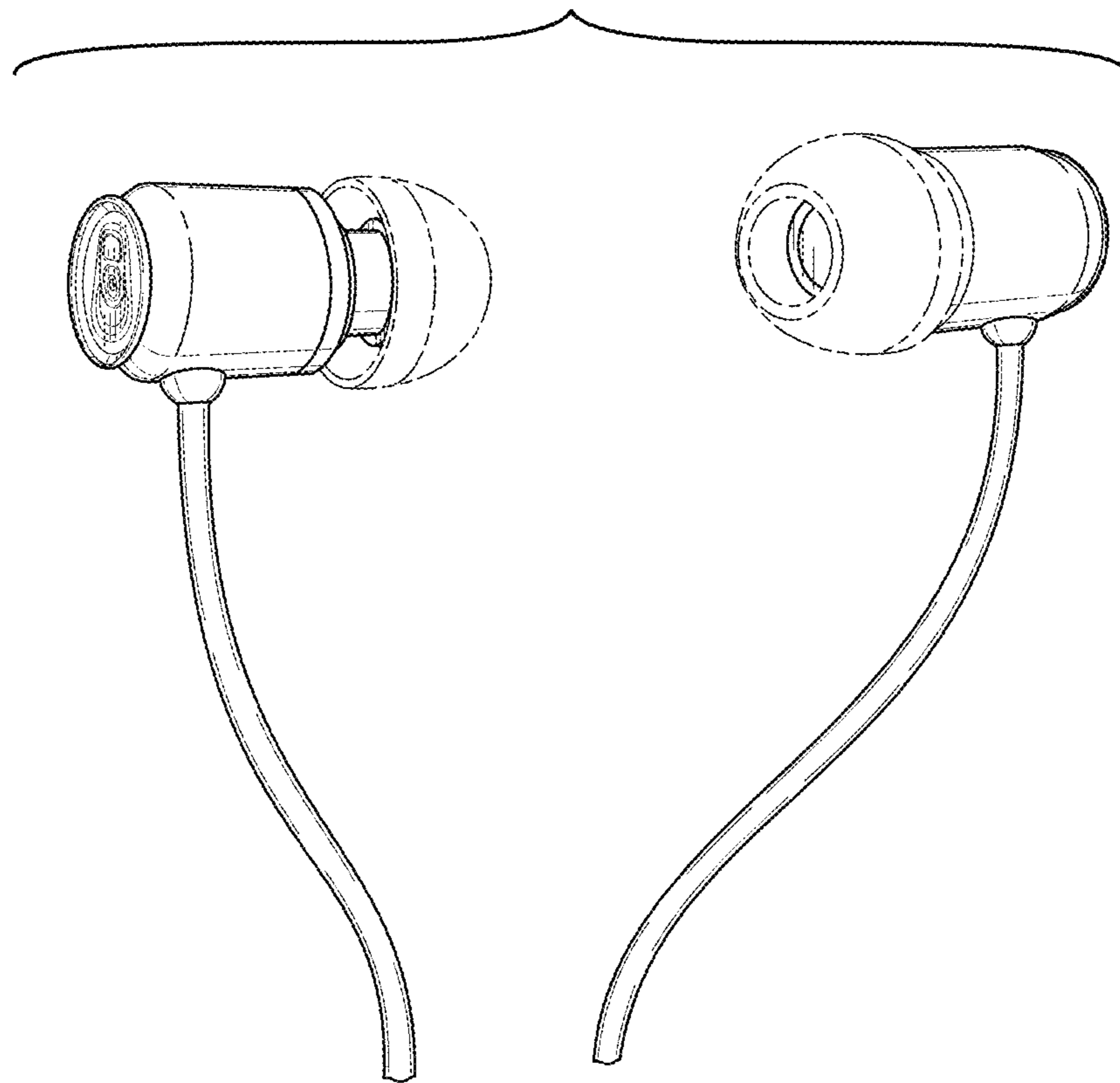


FIG.1

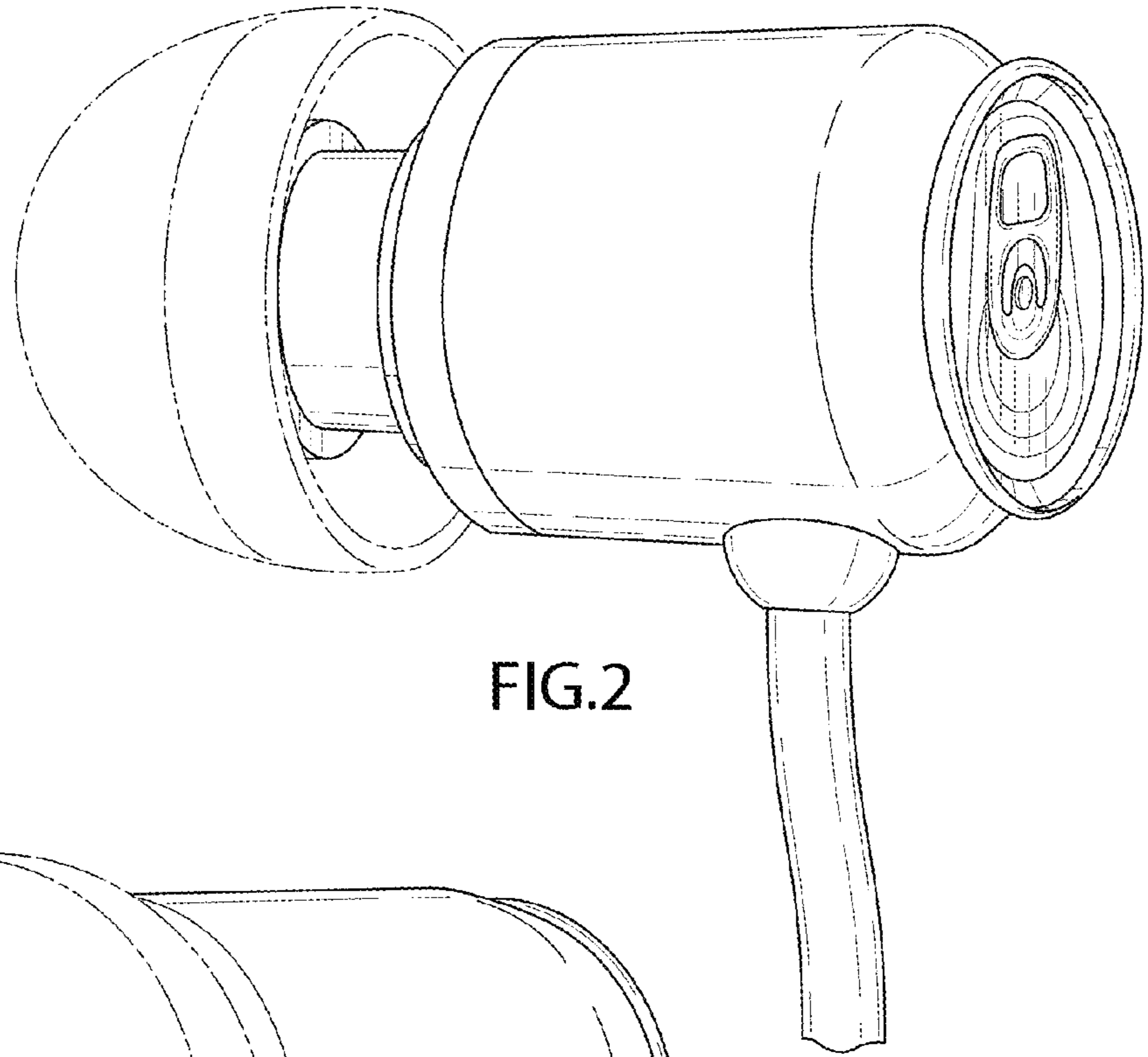


FIG. 2

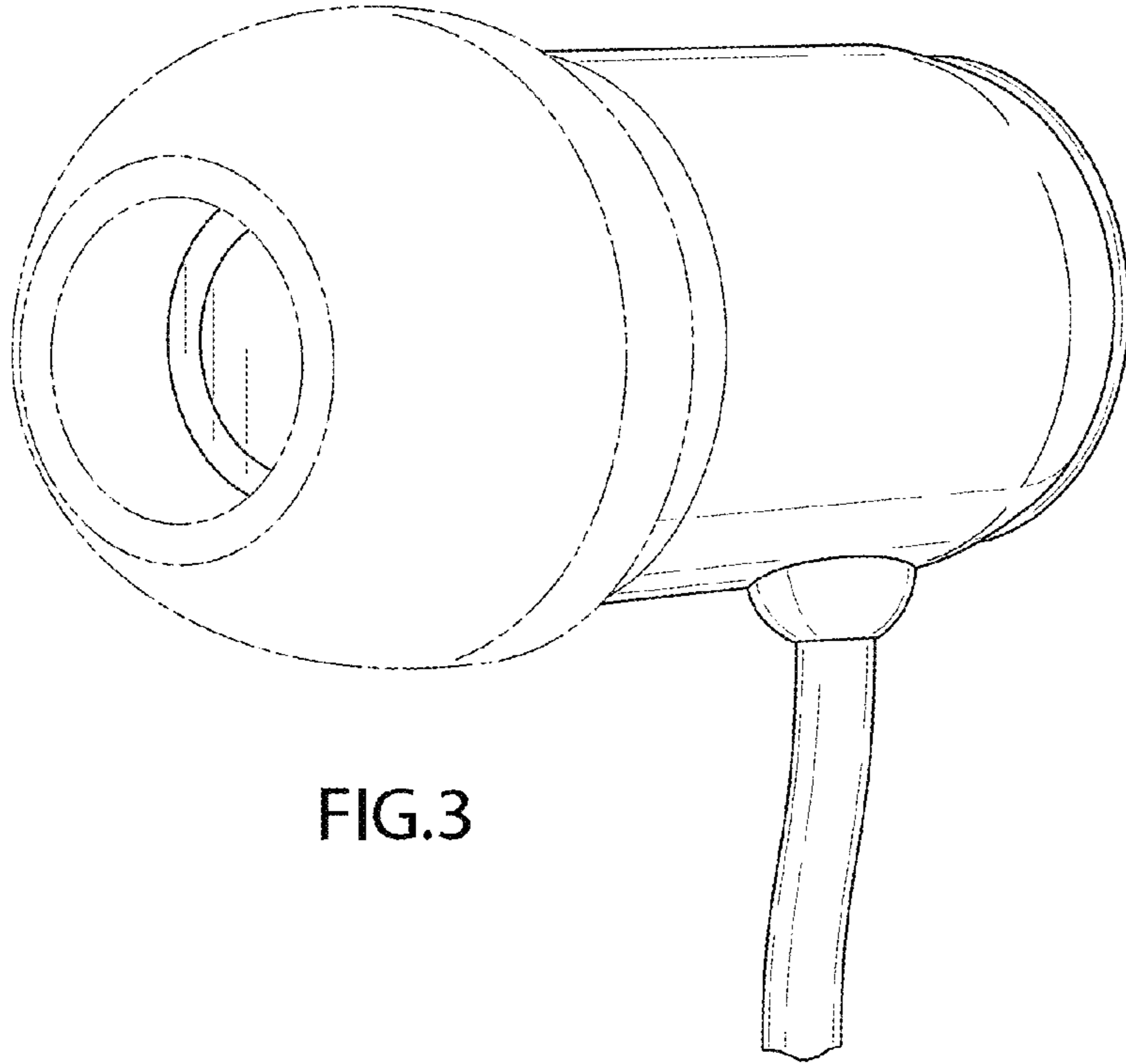


FIG. 3

FIG.4

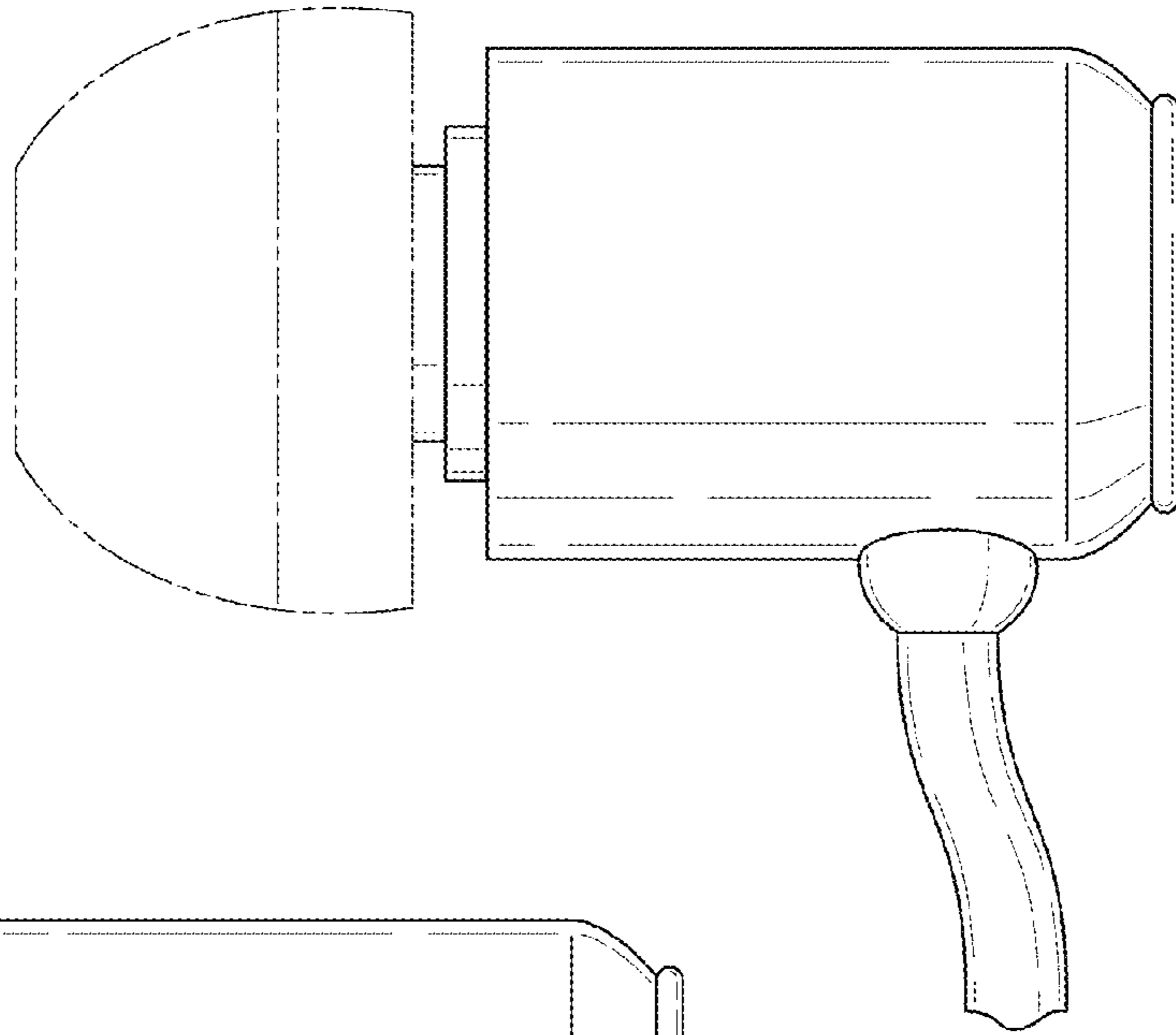


FIG.5

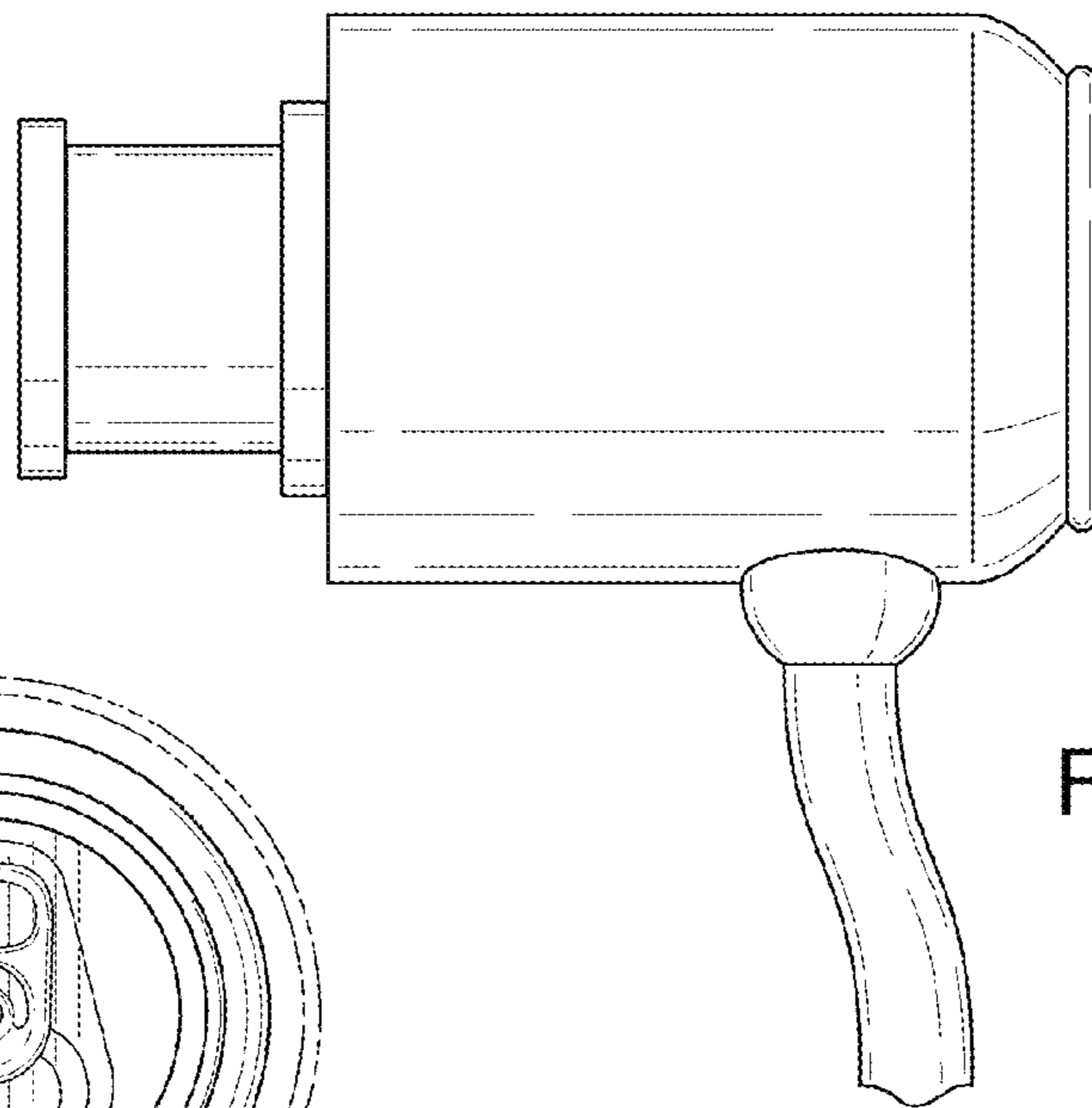
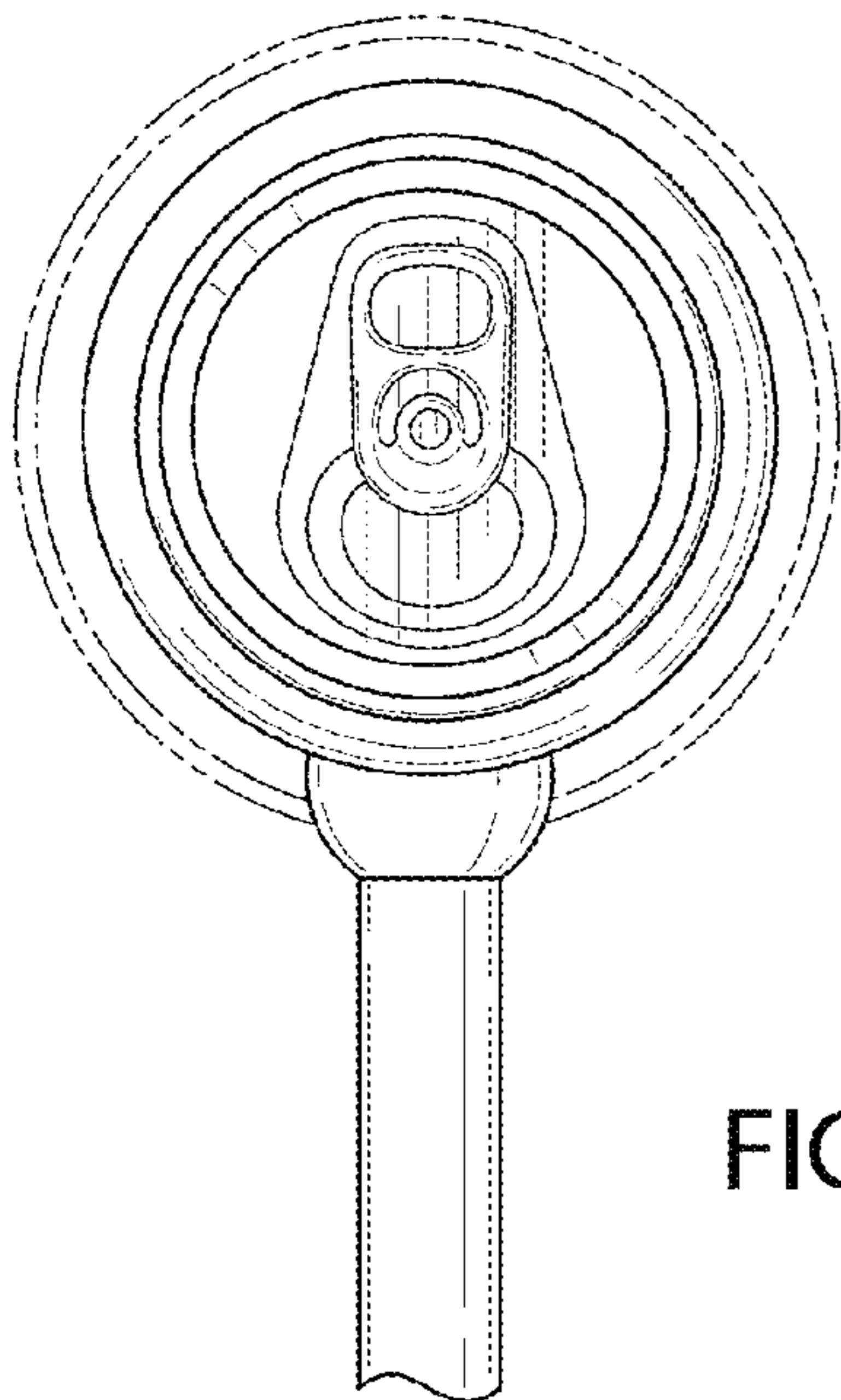


FIG.6



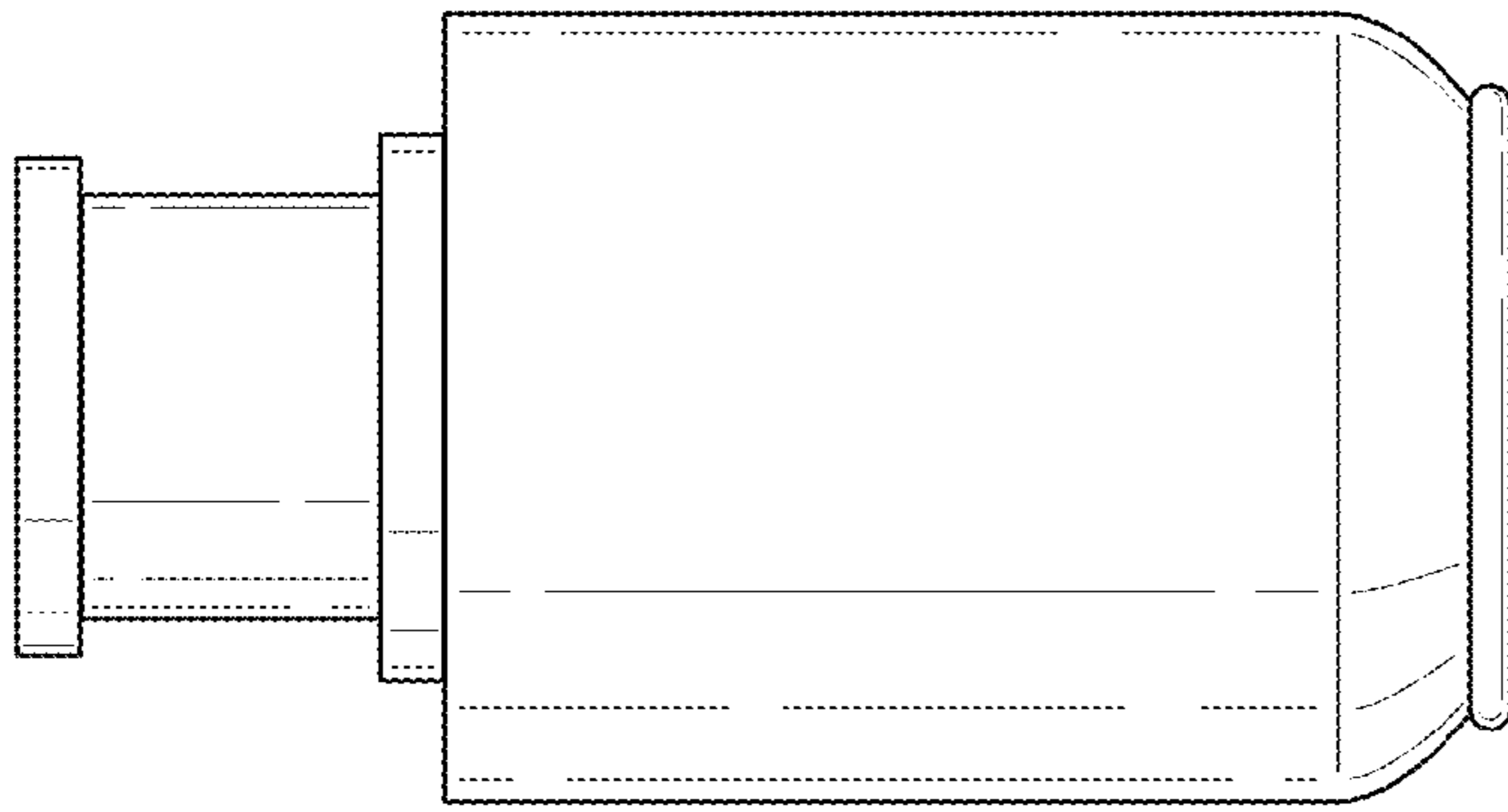


FIG. 7

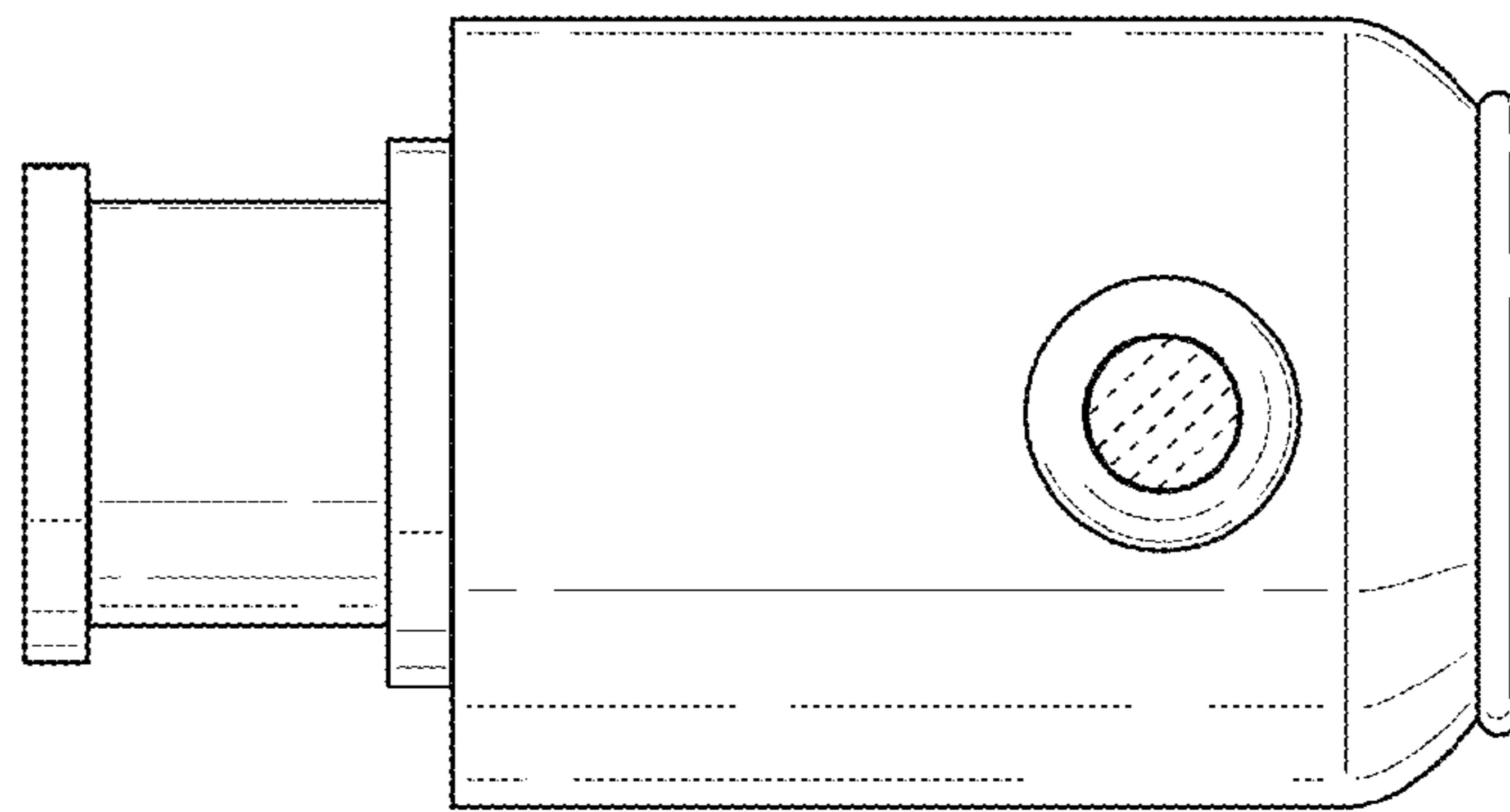


FIG. 8

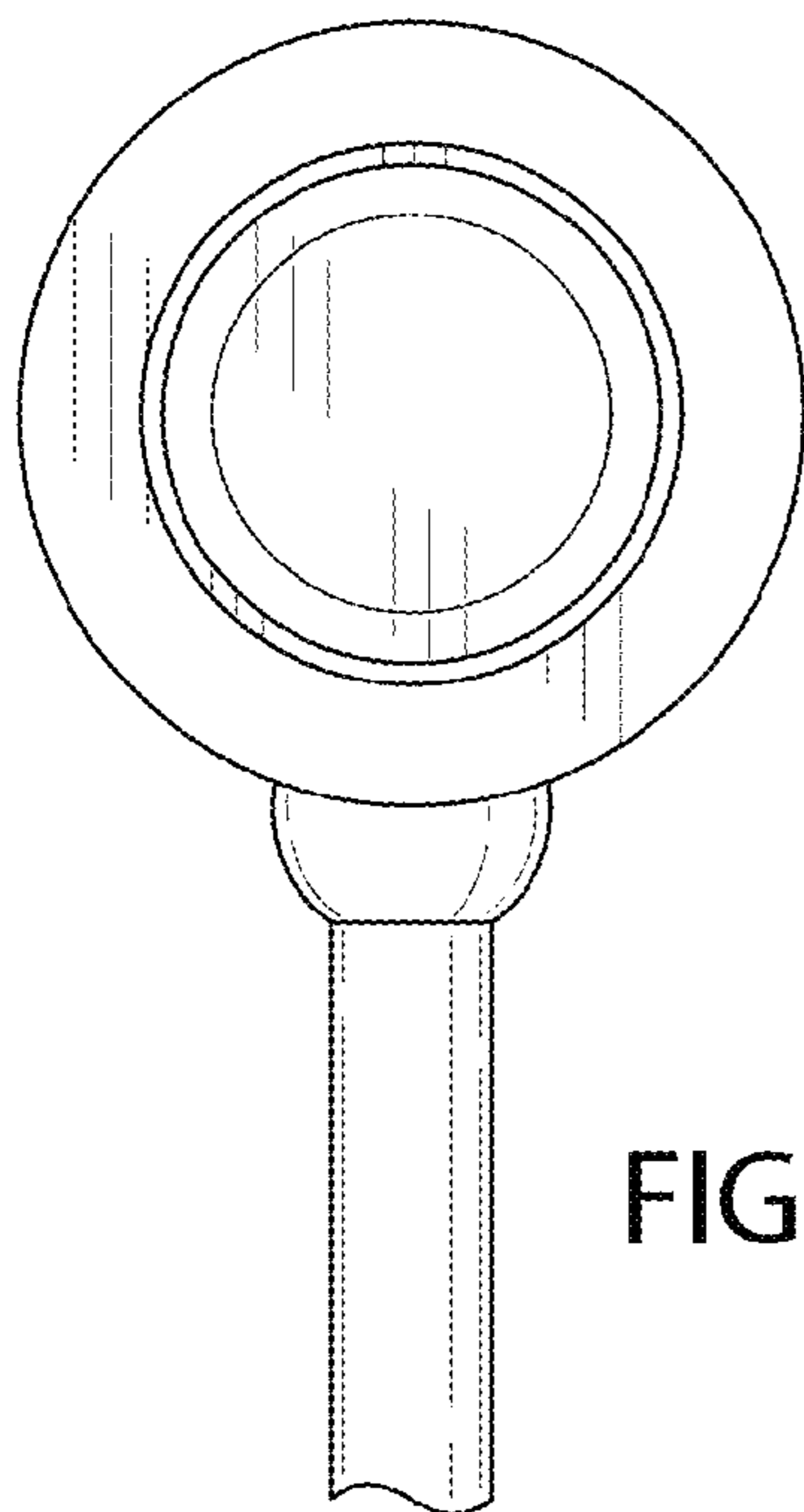


FIG. 9

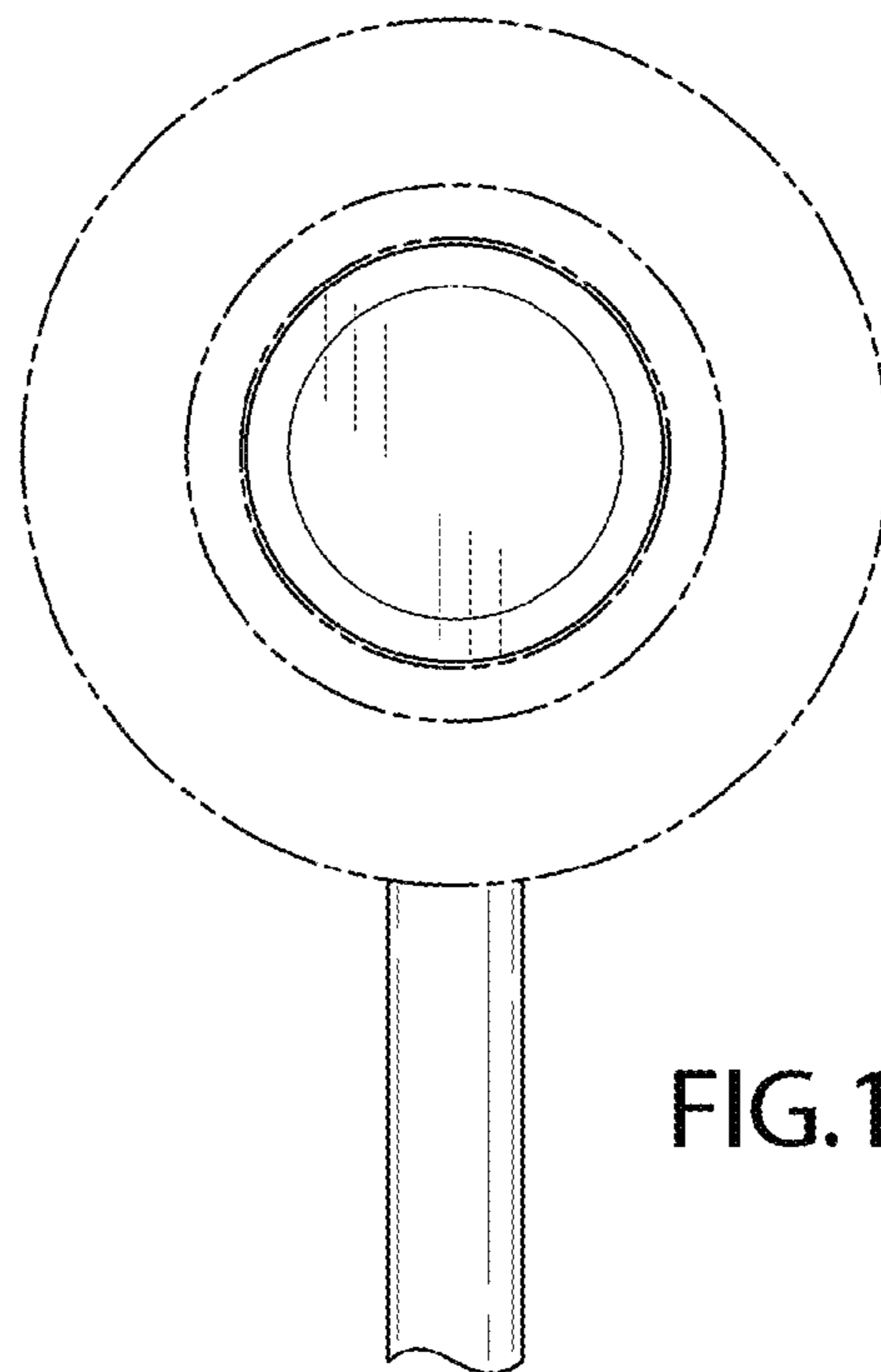


FIG. 10