



US00D681009S

(12) **United States Design Patent**
Meng et al.

(10) **Patent No.:** **US D681,009 S**
(45) **Date of Patent:** **** Apr. 30, 2013**

(54) **SPEAKER**

(75) Inventors: **De-Lun Meng**, New Taipei (TW);
Shu-An Huang, New Taipei (TW);
Hao-Yun Lee, New Taipei (TW);
Che-Lan Chu, New Taipei (TW)

(73) Assignee: **Microlink Communications Inc.**, New Taipei (TW)

(**) Term: **14 Years**

(21) Appl. No.: **29/400,427**

(22) Filed: **Aug. 27, 2011**

(51) **LOC (9) Cl.** **14-03**

(52) **U.S. Cl.**
USPC **D14/214**

(58) **Field of Classification Search** D14/167,
D14/172, 194–196, 204, 207, 209.1, 210–216,
D14/221, 222; 181/143, 144, 147, 148, 150,
181/153, 157, 198, 199; 381/300–303, 306,
381/332, 333, 336, 345, 361–364, 386–388
See application file for complete search history.

(56) **References Cited**

U.S. PATENT DOCUMENTS

D398,304 S * 9/1998 Murray et al. D14/137
D398,605 S * 9/1998 Murray et al. D14/137
D412,705 S * 8/1999 Laiacona et al. D14/172

D538,260 S * 3/2007 Wada D14/188
D574,810 S * 8/2008 Tanaka D14/214
D581,943 S * 12/2008 Pedersen et al. D14/496
D587,244 S * 2/2009 Lim et al. D14/214
D636,758 S * 4/2011 Tzeng D14/214
D660,284 S * 5/2012 Carbone D14/214

* cited by examiner

Primary Examiner — Keli L Hill

(74) *Attorney, Agent, or Firm* — Lin & Associates IP, Inc.

(57) **CLAIM**

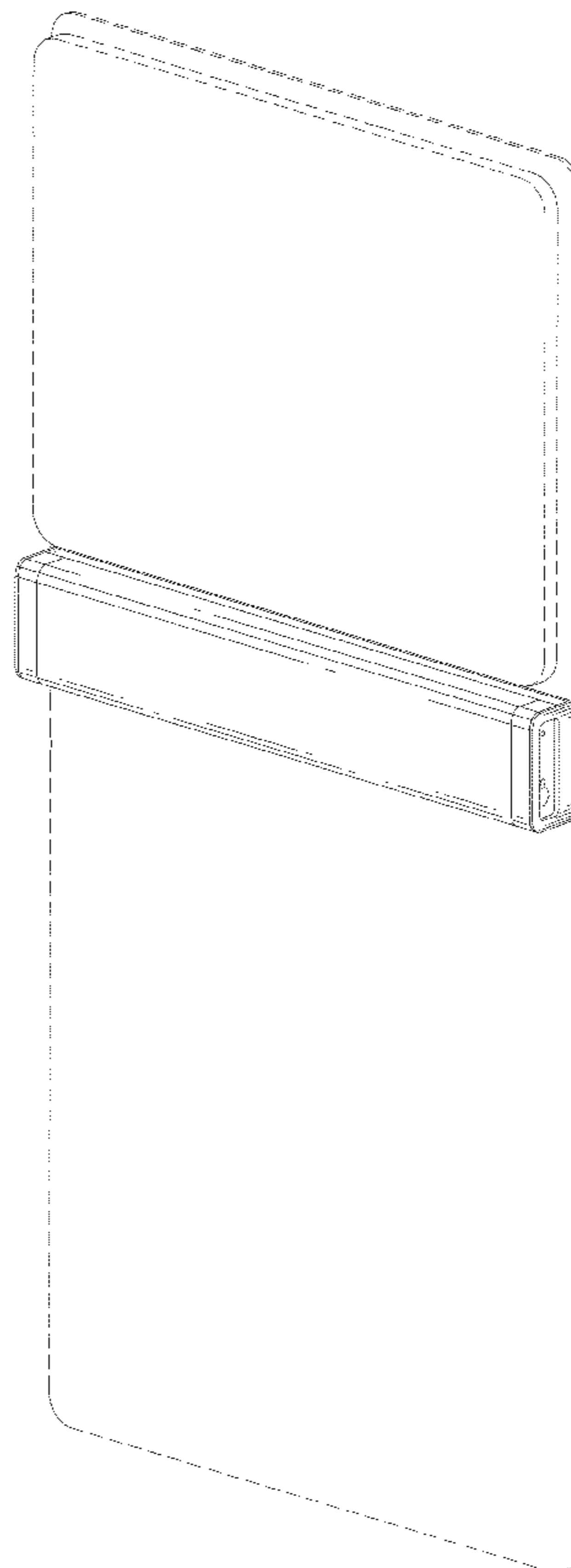
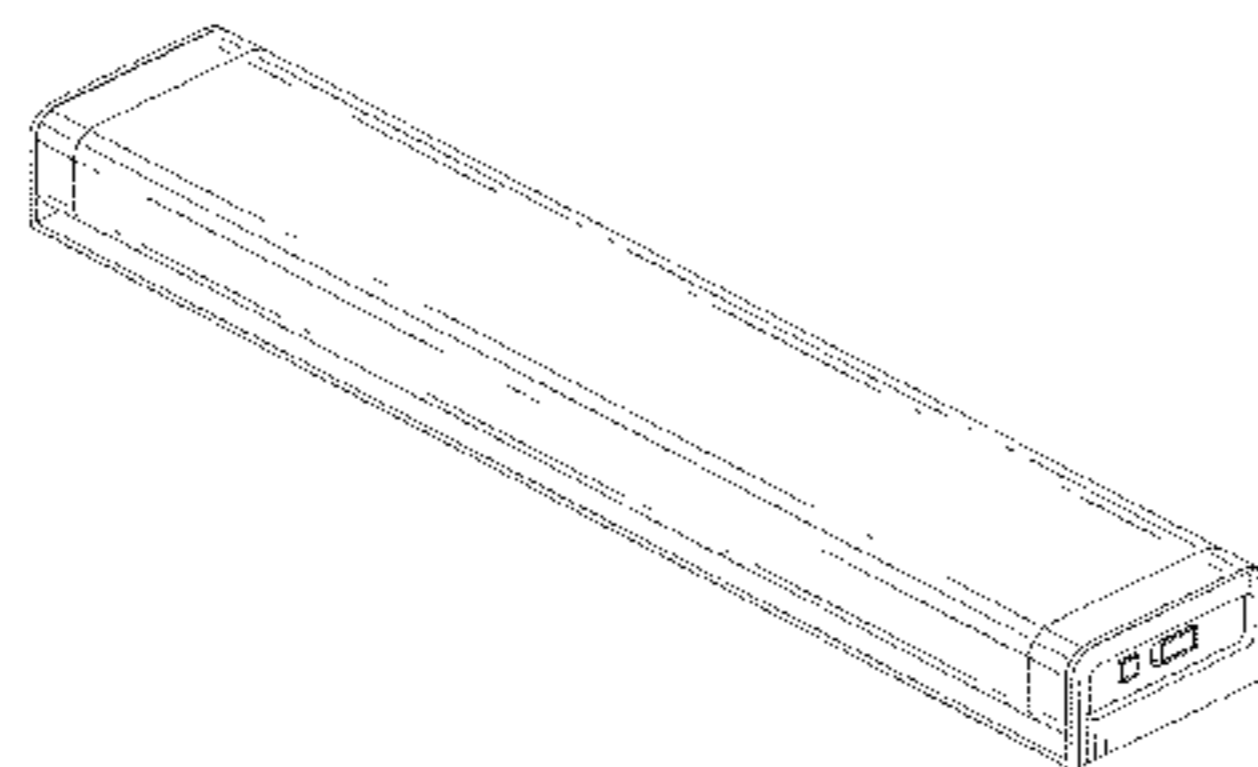
The ornamental design for a speaker, as shown and described.

DESCRIPTION

FIG. 1 is a perspective view of a speaker showing our new design;
FIG. 2 is a front elevational view thereof;
FIG. 3 is a rear elevational view thereof;
FIG. 4 is a left side elevational view thereof;
FIG. 5 is a right side elevational view thereof;
FIG. 6 is a top plan view thereof;
FIG. 7 is a bottom plan view thereof; and,
FIG. 8 is a perspective view showing the speaker in a using state.

The broken line portion of the figure drawings is included to show unclaimed subject matter only and forms no part of the claimed design.

1 Claim, 8 Drawing Sheets



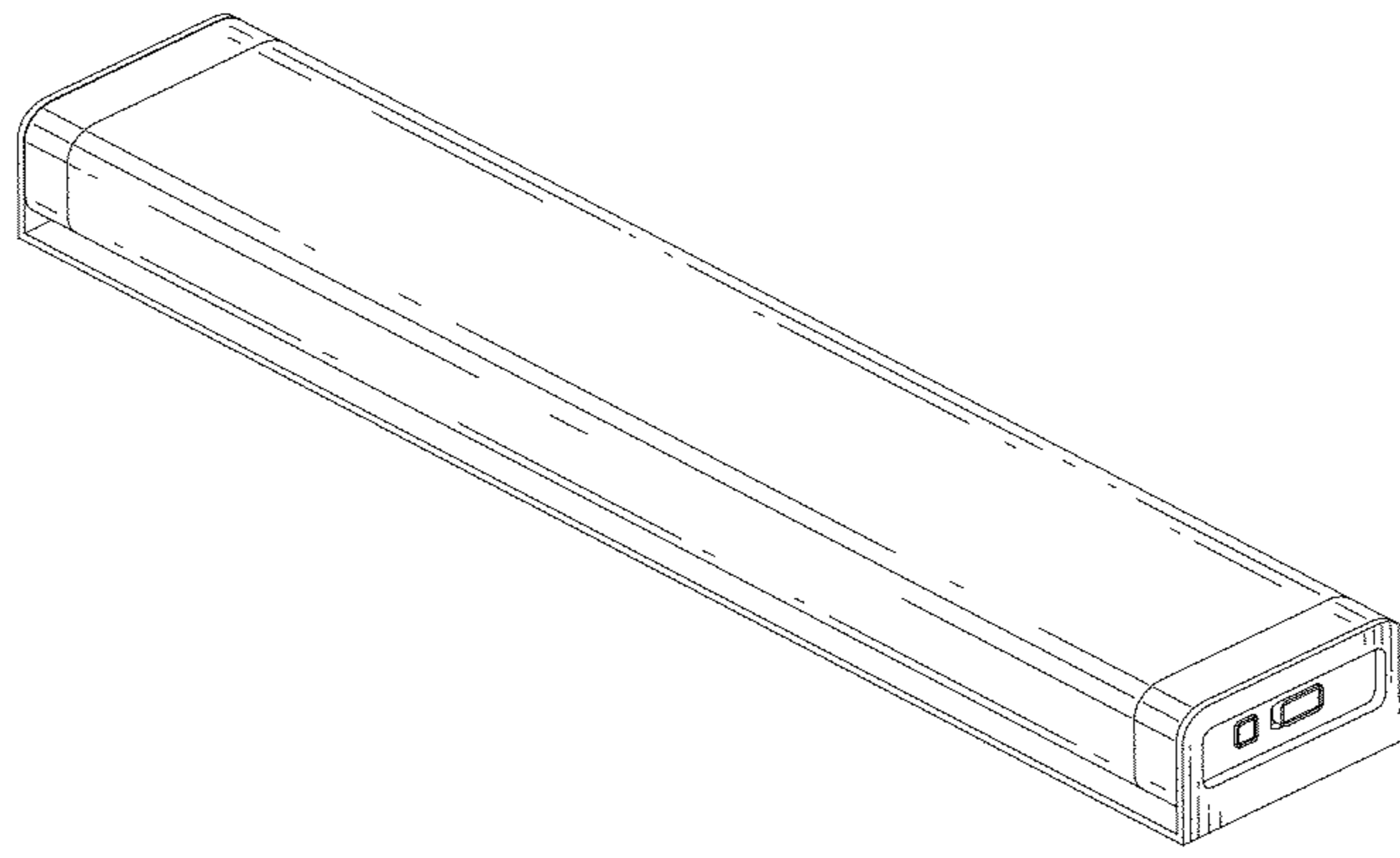


FIG. 1

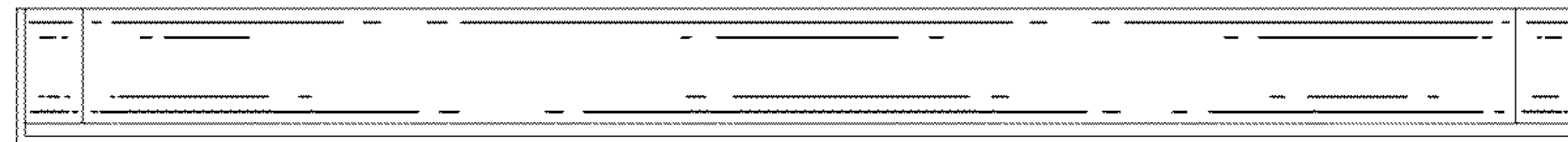


FIG. 2

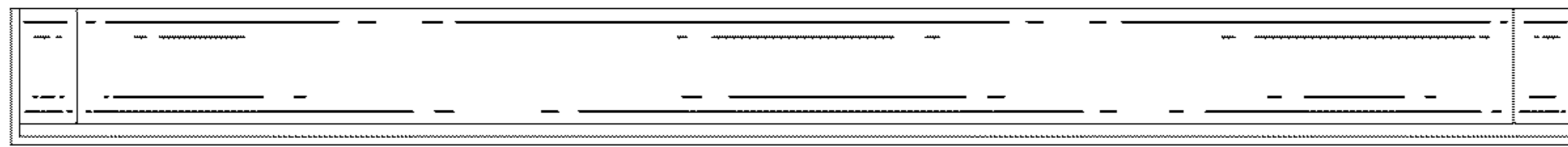


FIG. 3

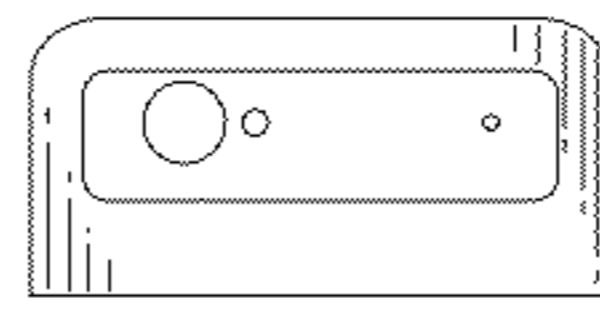


FIG. 4

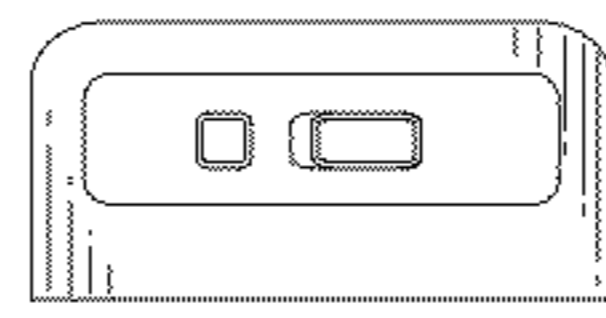


FIG. 5

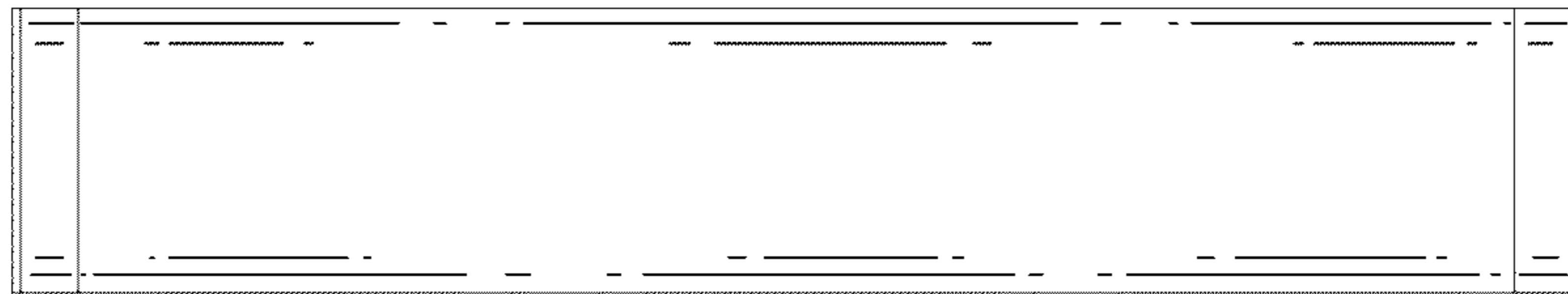


FIG. 6

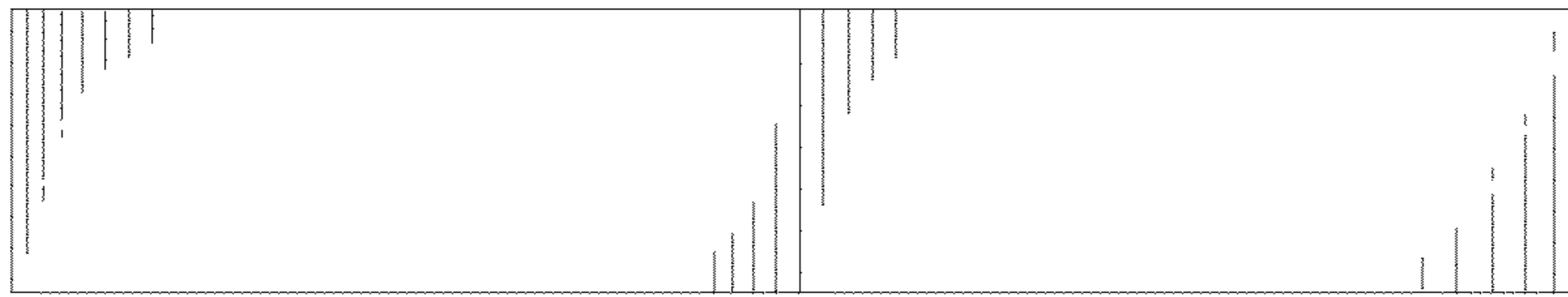


FIG. 7

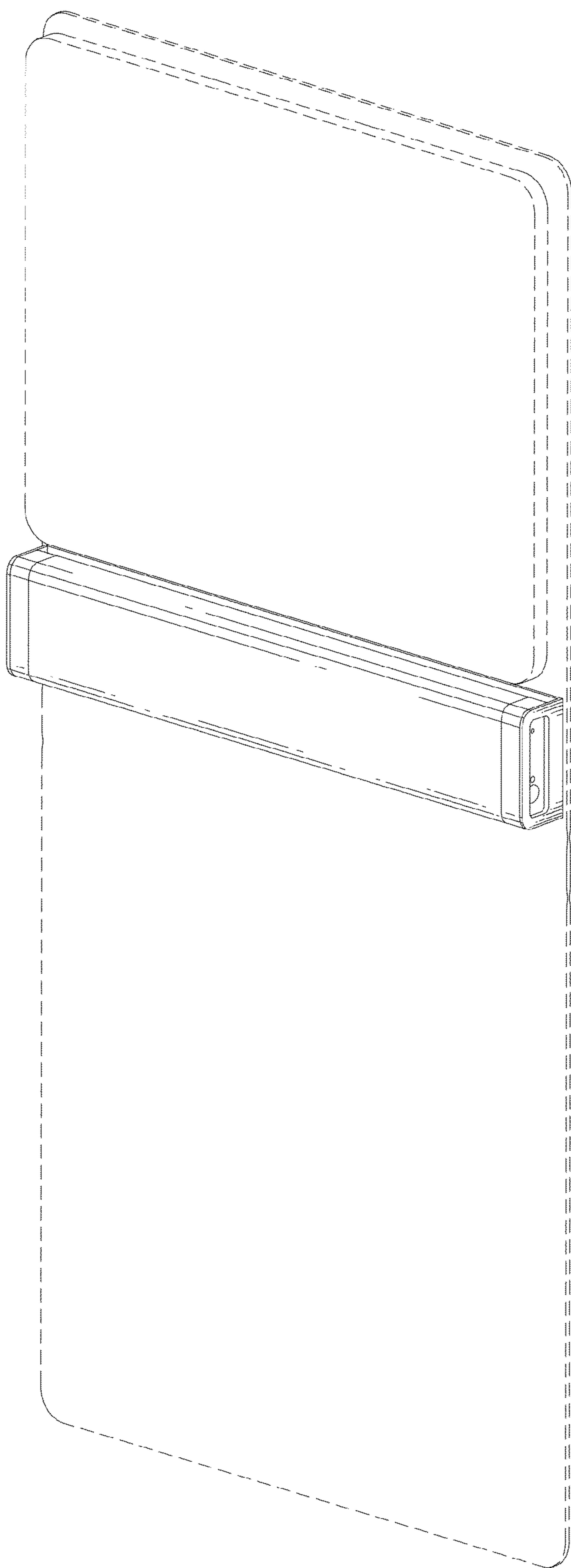


FIG. 8