



US00D681008S

(12) **United States Design Patent**
Fathollahi

(10) **Patent No.:** **US D681,008 S**
(45) **Date of Patent:** **** Apr. 30, 2013**

(54) **AUDIO SPEAKER**

(76) Inventor: **Nausser Fathollahi**, Irvine, CA (US)

(**) Term: **14 Years**

(21) Appl. No.: **29/388,717**

(22) Filed: **Mar. 31, 2011**

(51) **LOC (9) Cl.** **14-03**

(52) **U.S. Cl.**

USPC **D14/214**

(58) **Field of Classification Search** D14/167,
D14/172, 194–196, 204, 207, 209.1, 210–216,
D14/221, 222; 181/143, 144, 147, 148, 150,
181/153, 157, 198, 199; 381/300–303, 306,
381/332, 333, 336, 345, 361–364, 386–388

See application file for complete search history.

(56) **References Cited**

U.S. PATENT DOCUMENTS

| | | | | |
|--------------|---------|----------------|-------|---------|
| D498,746 S * | 11/2004 | Solland | | D14/214 |
| D503,702 S * | 4/2005 | Stevens et al. | | D14/214 |
| D524,796 S * | 7/2006 | Chan | | D14/211 |
| D640,233 S * | 6/2011 | Fathollahi | | D14/211 |
| D659,674 S * | 5/2012 | Fathollahi | | D14/211 |
| D671,524 S * | 11/2012 | Fathollahi | | D14/211 |

* cited by examiner

Primary Examiner — Stella Reid

Assistant Examiner — Keli L Hill

(74) *Attorney, Agent, or Firm* — Klein, O’Neill & Singh, LLP

(57) **CLAIM**

The ornamental design for an audio speaker, as shown.

DESCRIPTION

FIG. 1 is a front perspective view of an audio speaker in accordance with my new design;

FIG. 2 is a front elevational view of the audio speaker shown in FIG. 1;

FIG. 3 is a top plan view of the audio speaker shown in FIG. 1;

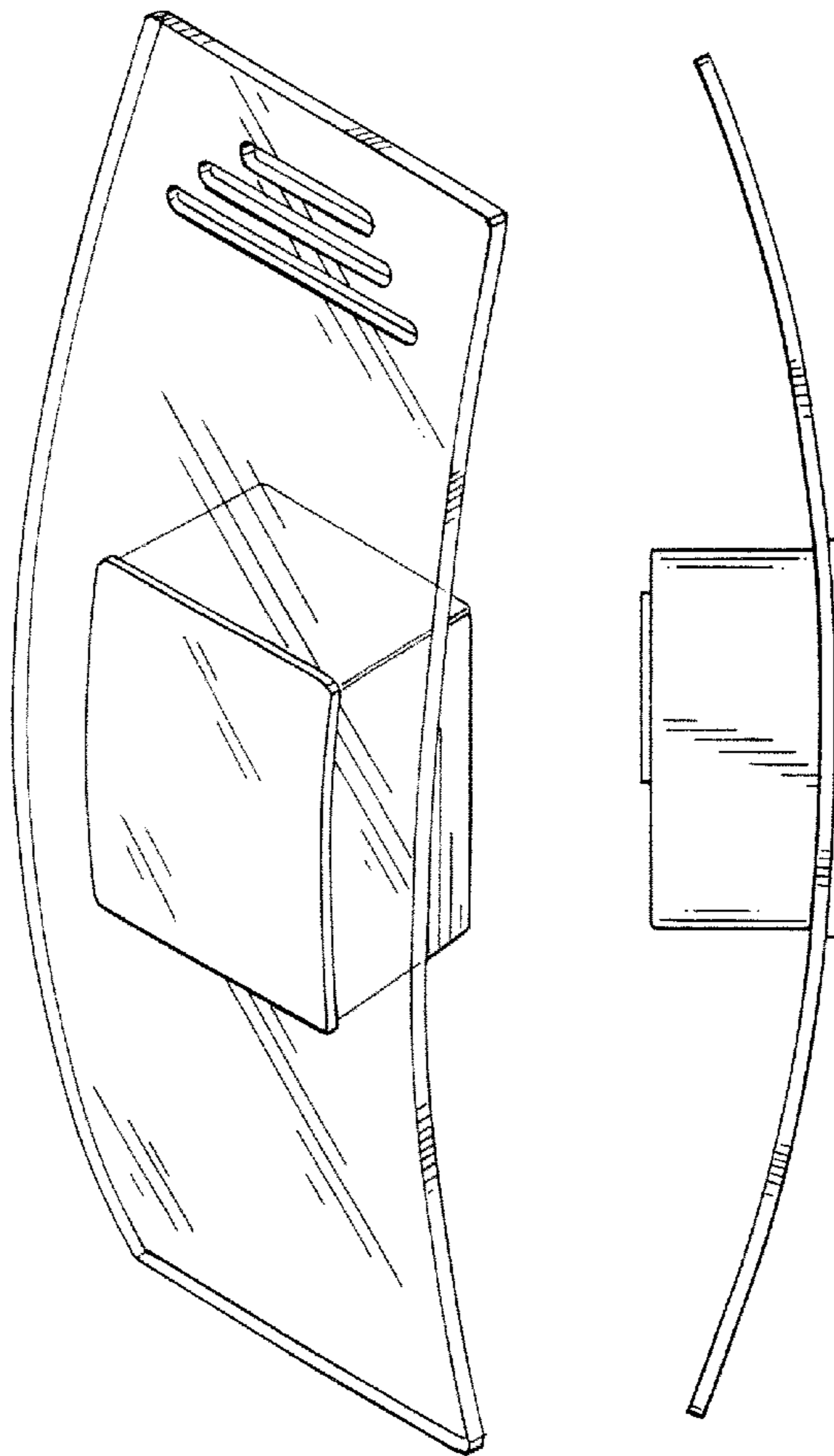
FIG. 4 is a bottom plan view of the audio speaker shown in FIG. 1;

FIG. 5 is a side elevational view of the audio speaker, taken from the left side of FIG. 2;

FIG. 6 is a side elevational view of the audio speaker, taken from the right side of FIG. 2; and,

FIG. 7 is a rear elevational view of the audio speaker shown in FIG. 1.

1 Claim, 3 Drawing Sheets



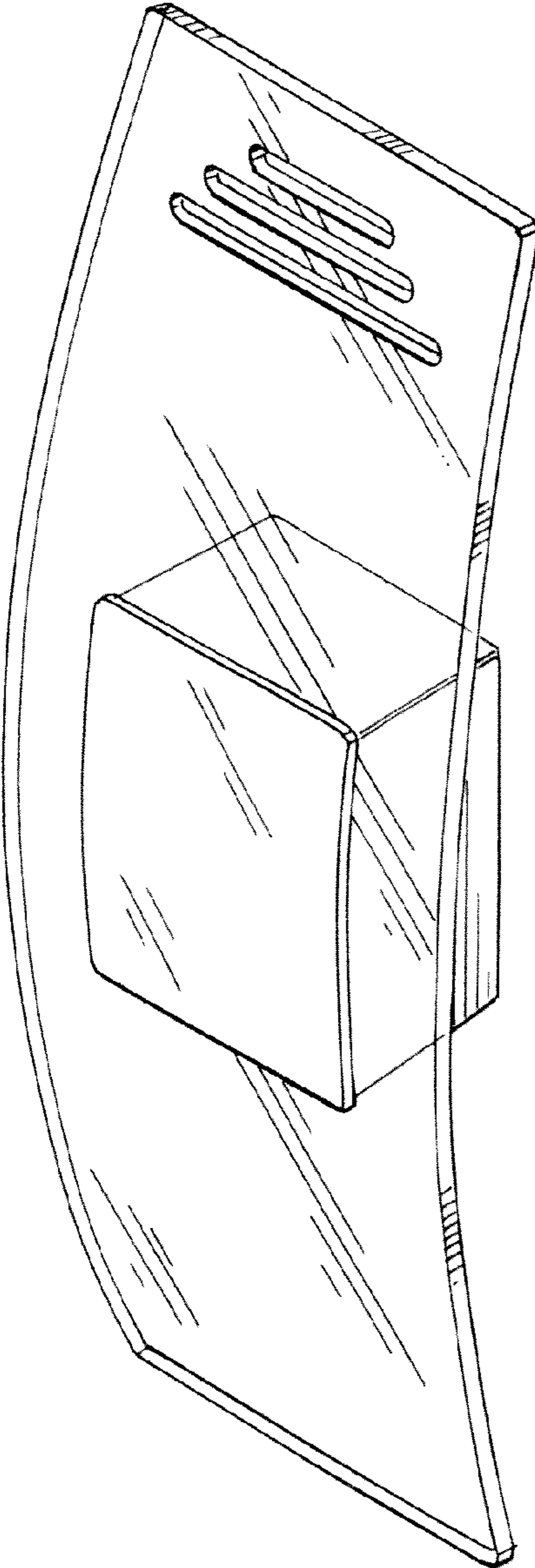


FIG. 1

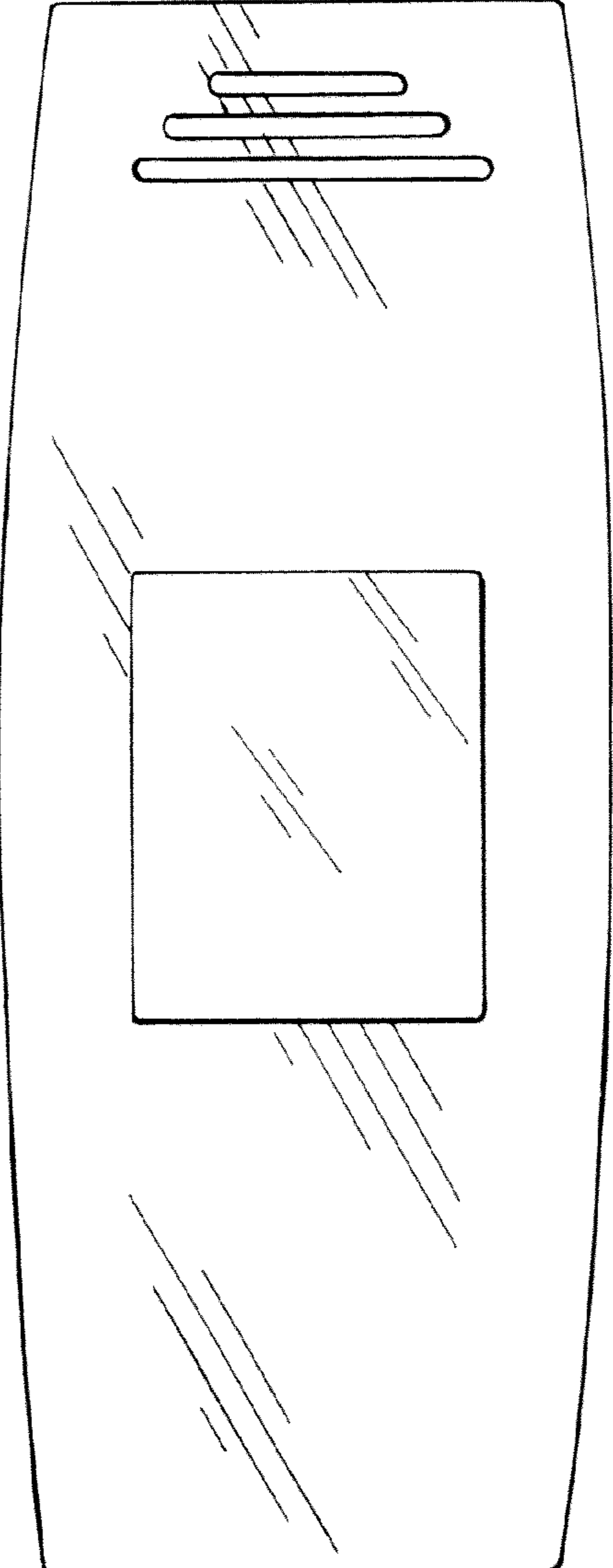


FIG. 2

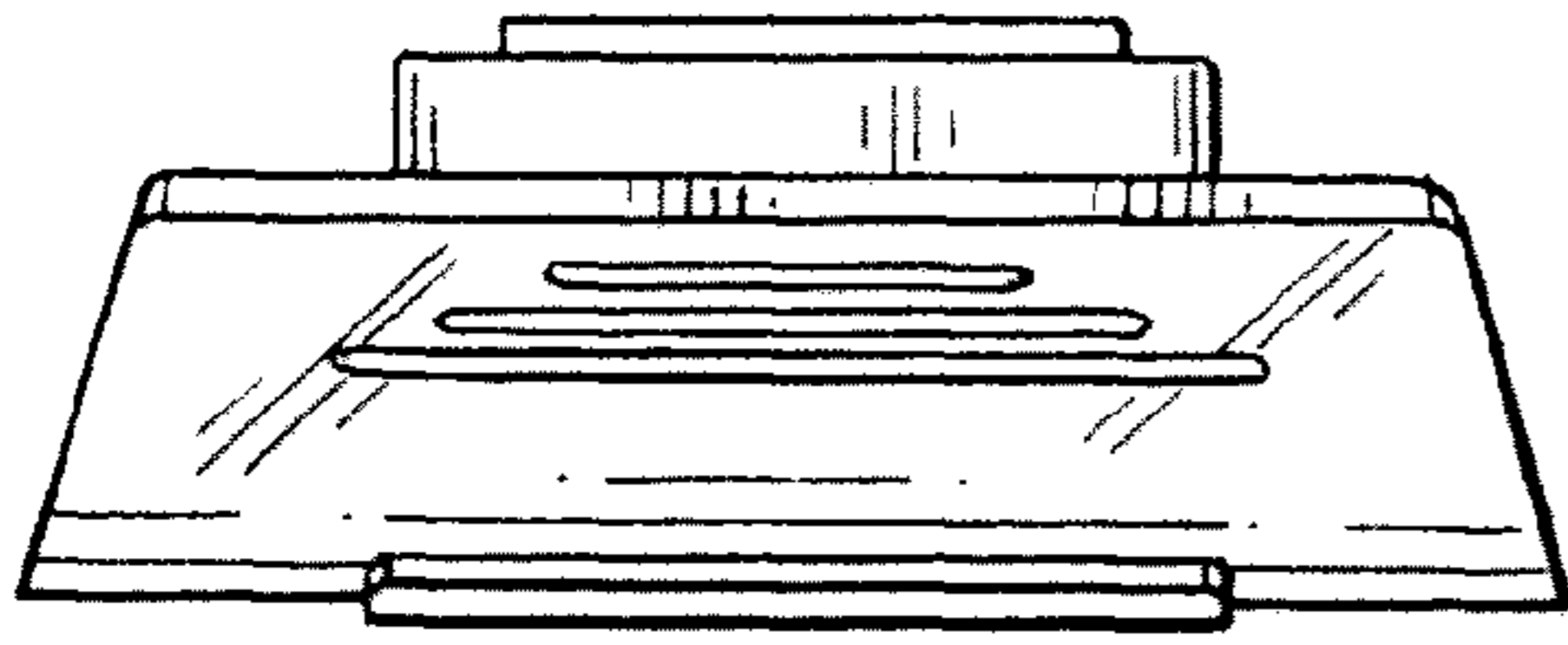


FIG. 3

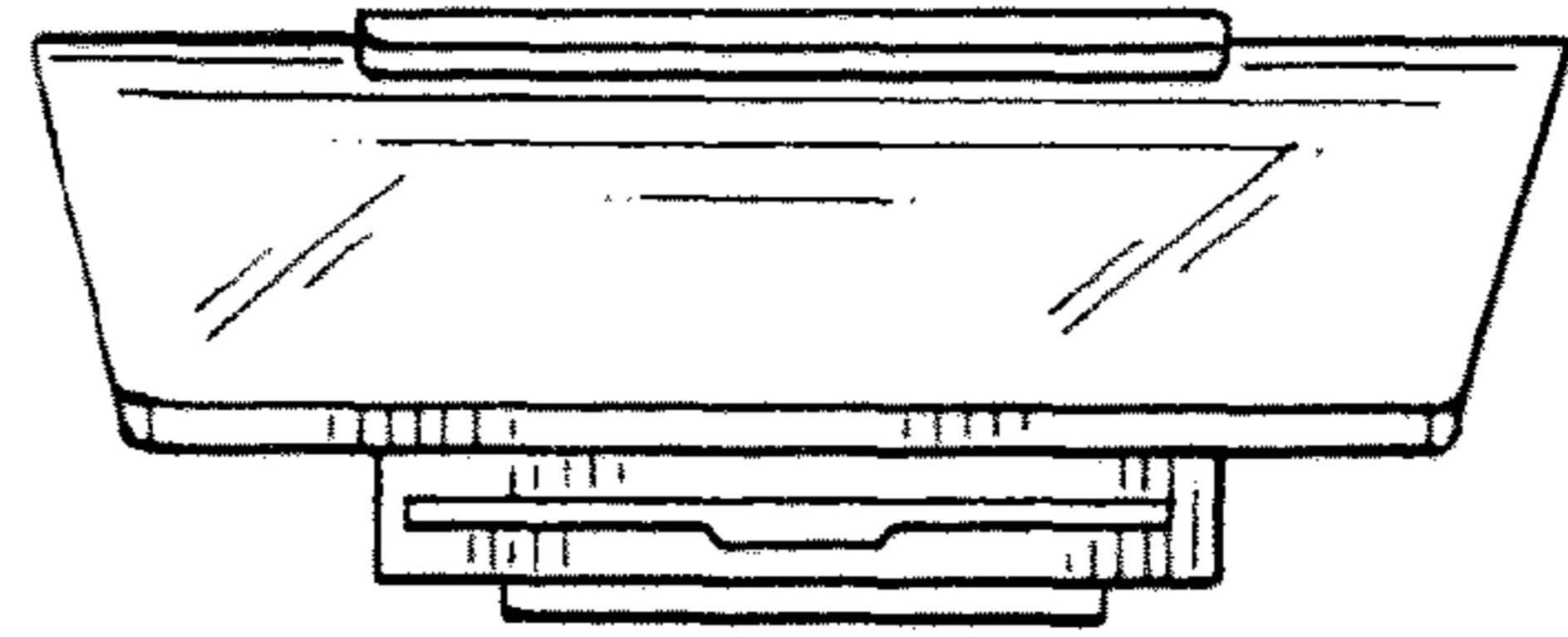


FIG. 4

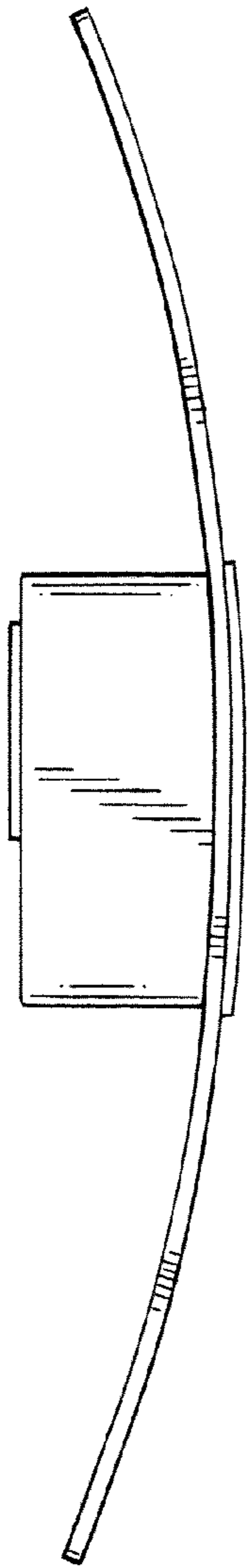


FIG. 5

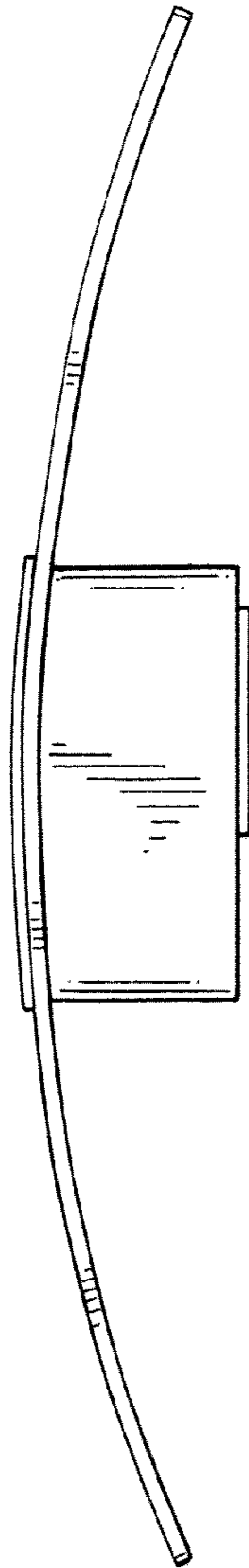


FIG. 6

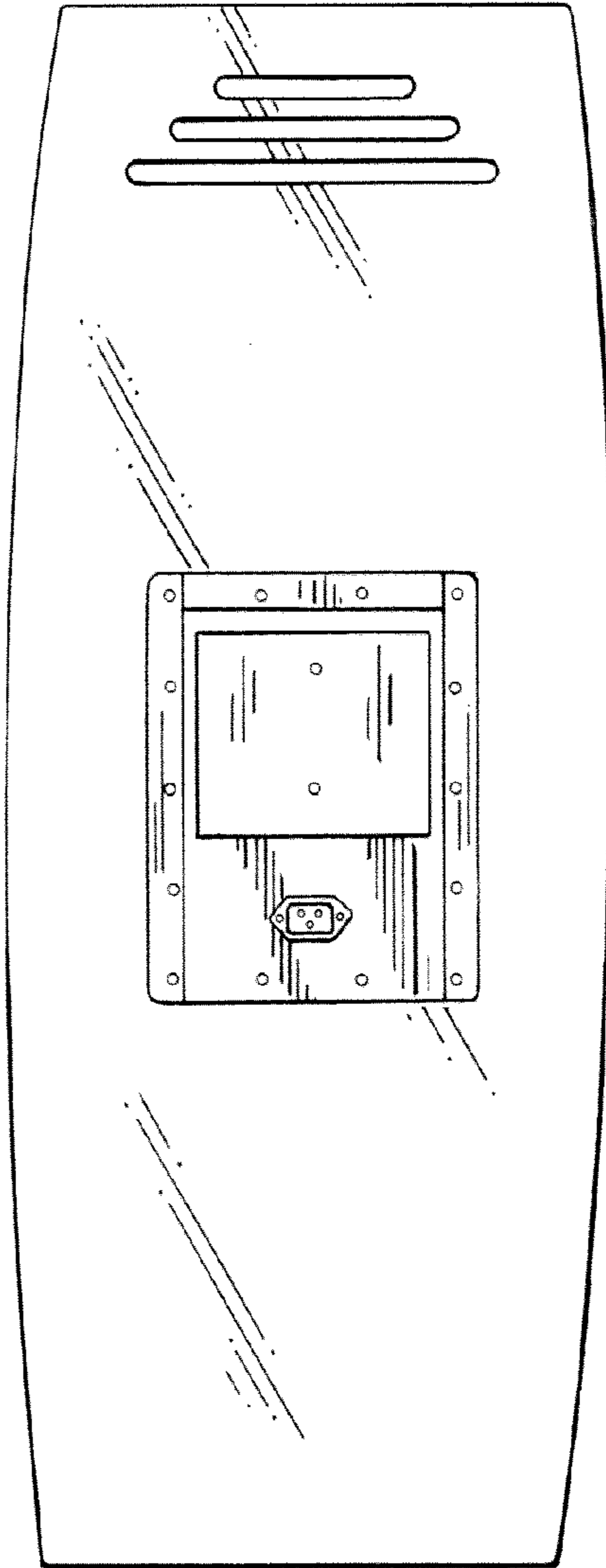


FIG. 7