



US00D681006S

(12) **United States Design Patent**  
**Kim**

(10) **Patent No.:** **US D681,006 S**  
(45) **Date of Patent:** **\*\* Apr. 30, 2013**

(54) **MOBILE TERMINAL SPEAKER**  
(75) Inventor: **Young-Soo Kim**, Seoul (KR)  
(73) Assignee: **Samsung Electronics Co., Ltd.** (KR)  
(\*\*) Term: **14 Years**

D620,922 S \* 8/2010 Skurdal ..... D14/209.1  
D632,670 S \* 2/2011 Chow ..... D14/209.1  
D633,080 S \* 2/2011 Wakabayashi ..... D14/209.1  
7,953,461 B2 \* 5/2011 Fukazawa ..... 455/575.1  
D645,847 S \* 9/2011 Chau ..... D14/217  
8,060,160 B2 \* 11/2011 Shin ..... 455/575.4  
8,160,289 B2 \* 4/2012 Park ..... 381/386  
8,208,977 B2 \* 6/2012 Kim et al. .... 455/575.1

\* cited by examiner

(21) Appl. No.: **29/398,080**  
(22) Filed: **Jul. 26, 2011**

*Primary Examiner* — Prabhakar Deshmukh  
(74) *Attorney, Agent, or Firm* — NSIP Law

(30) **Foreign Application Priority Data**  
Apr. 22, 2011 (KR) ..... 30-2011-0016580  
(51) **LOC (9) Cl.** ..... **14-01**  
(52) **U.S. Cl.**  
USPC ..... **D14/209.1; D14/204**  
(58) **Field of Classification Search** ..... D14/204,  
D14/221, 238.1, 209.1, 210–217, 147, 168,  
D14/172, 496, 203.1; 181/147, 148, 150–153,  
181/157, 198, 199; 381/334, 386, 345, 388,  
381/395; 361/679.01, 679.02, 679.27; 379/428.01,  
379/433.08, 387.01, 433.12, 433.13, 430;  
455/575.1, 90.3, 556.1, 565, 74, 75  
See application file for complete search history.

(57) **CLAIM**  
The ornamental design for a mobile terminal speaker, as shown and described.

(56) **References Cited**  
**U.S. PATENT DOCUMENTS**  
7,536,207 B2 \* 5/2009 Son ..... 455/569.1  
7,610,069 B2 \* 10/2009 Kwak et al. .... 455/575.4  
D608,343 S \* 1/2010 Skurdal ..... D14/209.1  
D619,118 S \* 7/2010 Joseph ..... D14/209.1  
7,756,286 B2 \* 7/2010 Kim ..... 381/388

**DESCRIPTION**

FIG. 1 is a perspective view of a mobile terminal speaker;  
FIG. 2 is a front view of the mobile terminal speaker of FIG. 1;  
FIG. 3 is a rear view of the mobile terminal speaker of FIG. 1;  
FIG. 4 is a left-side view of the mobile terminal speaker of FIG. 1;  
FIG. 5 is a right-side view of the mobile terminal speaker of FIG. 1;  
FIG. 6 is a top plan view of the mobile terminal speaker of FIG. 1; and,  
FIG. 7 is a bottom plan view of the mobile terminal speaker of FIG. 1.  
Features shown in broken lines in FIGS. 3 and 6, form no part of the claimed design.

**1 Claim, 5 Drawing Sheets**

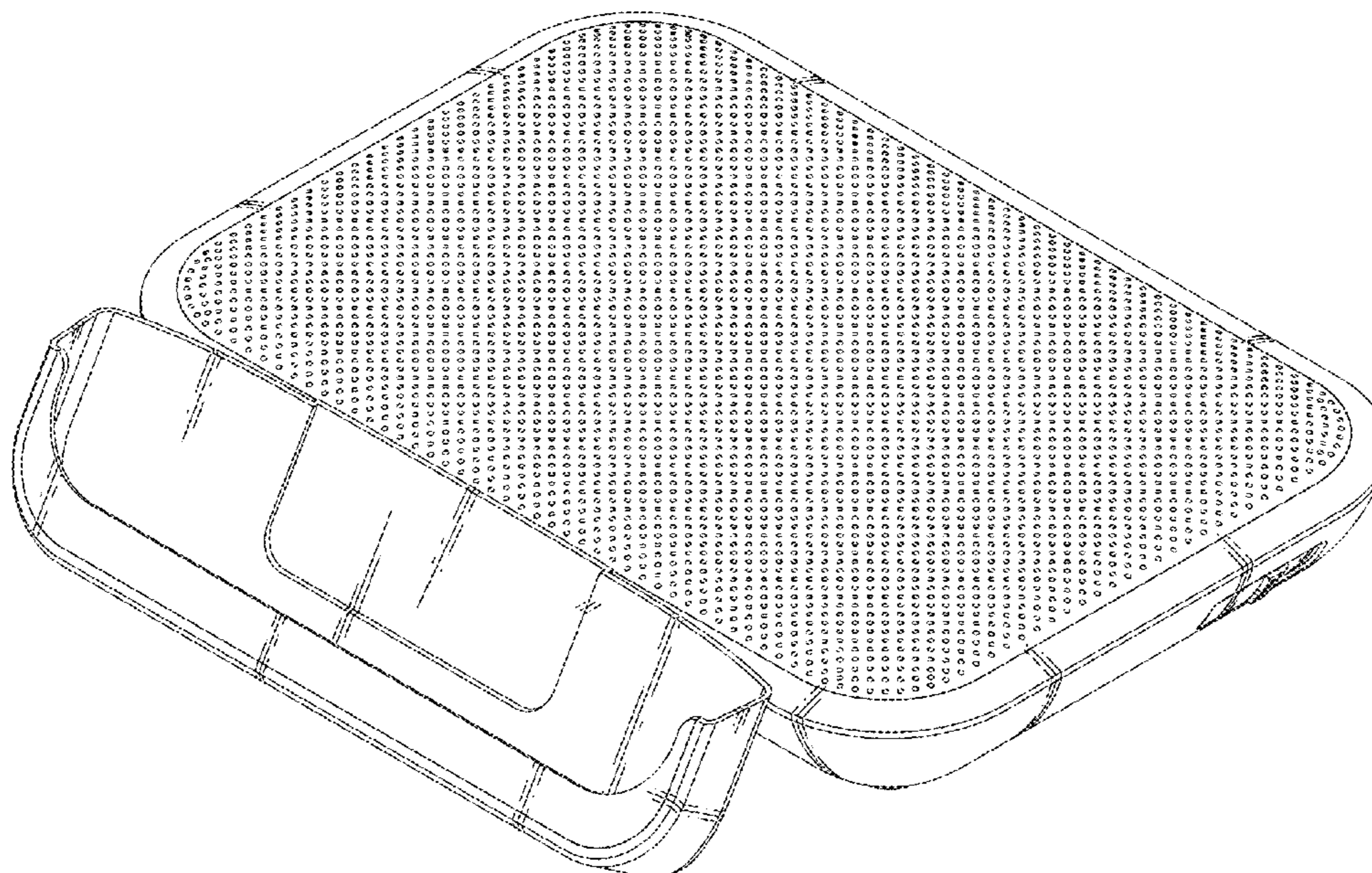


FIG. 1

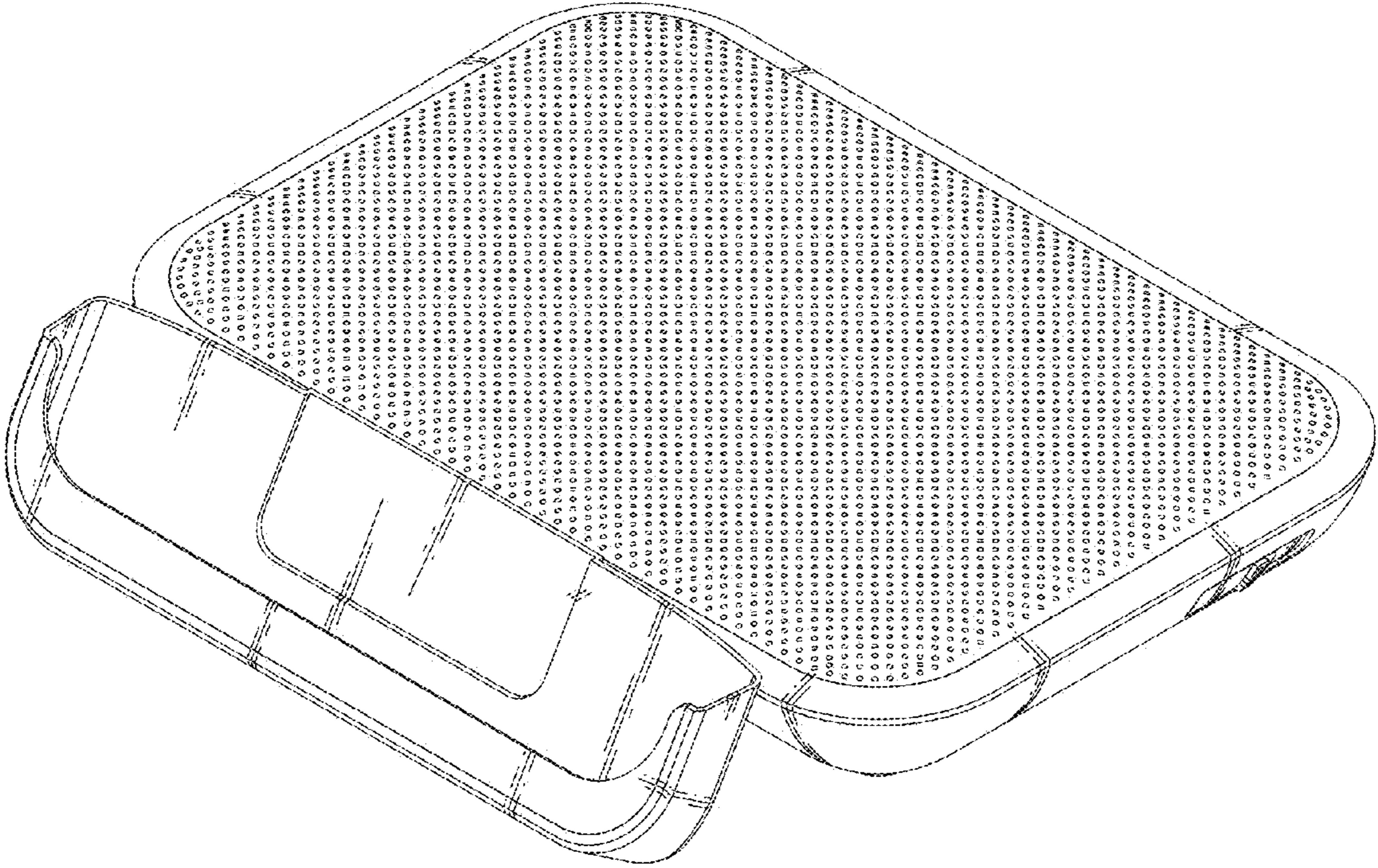


FIG. 2

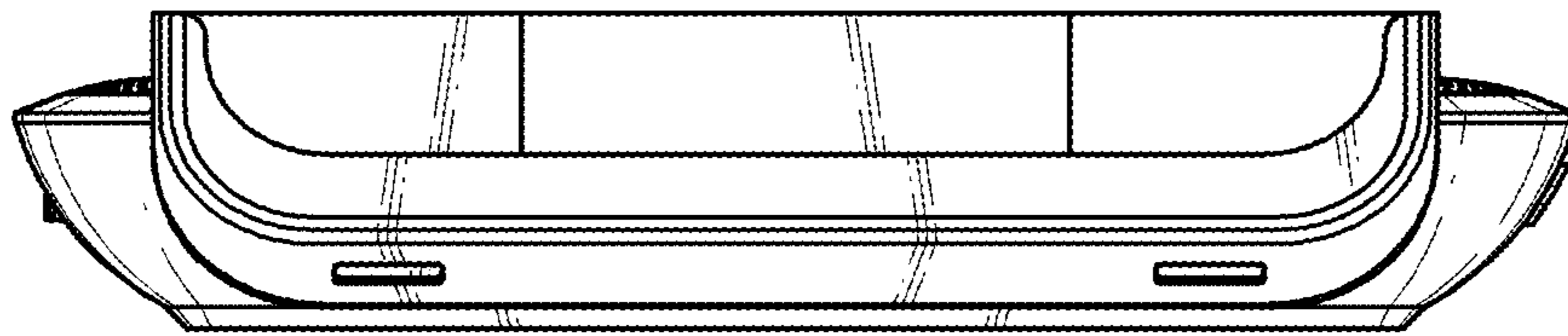


FIG. 3

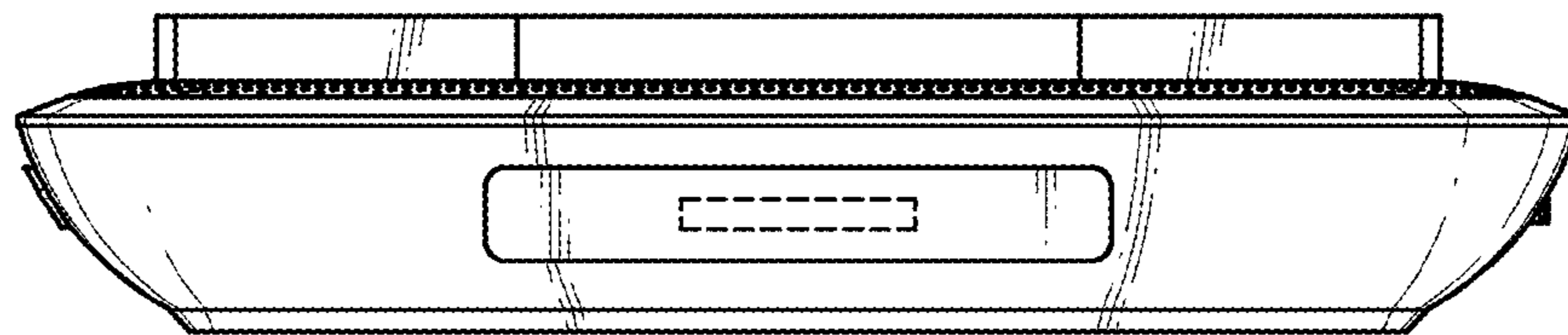


FIG. 4

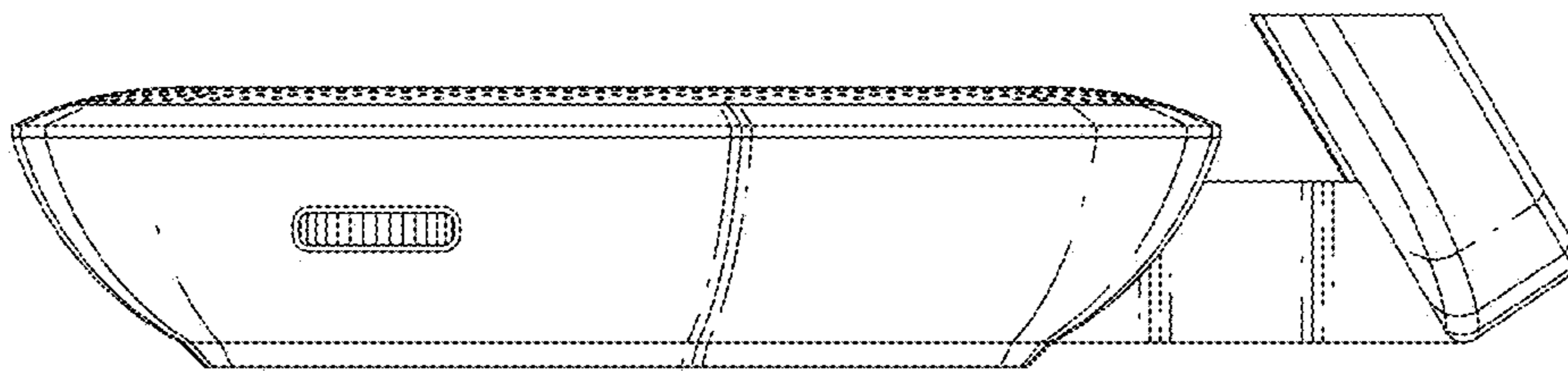


FIG. 5

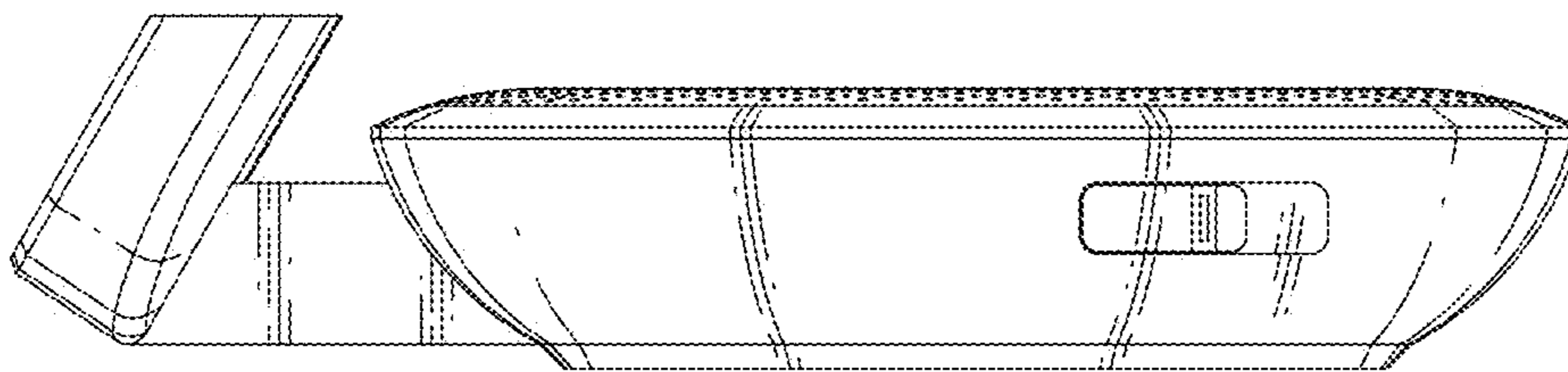


FIG. 6

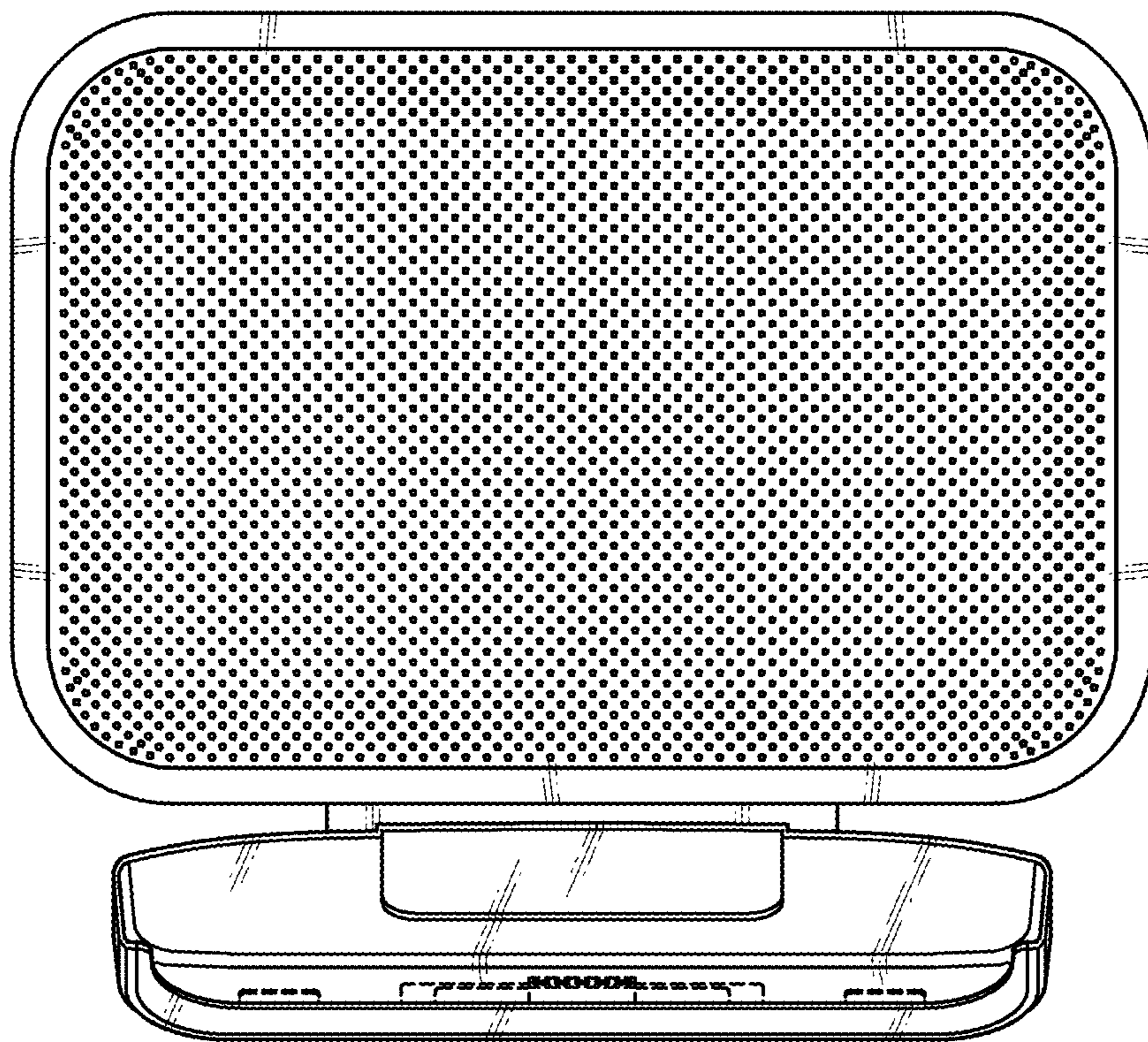


FIG. 7

