



US00D681004S

(12) **United States Design Patent**
Kelley

(10) **Patent No.:** **US D681,004 S**
(45) **Date of Patent:** **** Apr. 30, 2013**

(54) **COMMUNICATIONS HEADSET**

(75) Inventor: **John Kelley**, Santa Cruz, CA (US)

(73) Assignee: **Plantronics, Inc.**, Santa Cruz, CA (US)

(**) Term: **14 Years**

(21) Appl. No.: **29/429,317**

(22) Filed: **Aug. 9, 2012**

Related U.S. Application Data

(62) Division of application No. 29/405,973, filed on Nov. 8, 2011, now Pat. No. Des. 667,388.

(51) **LOC (9) Cl.** **14-01**

(52) **U.S. Cl.**
USPC **D14/206**

(58) **Field of Classification Search** D14/206
See application file for complete search history.

(56) **References Cited**

U.S. PATENT DOCUMENTS

2,149,341	A	*	3/1939	Harrison	381/379
3,488,457	A	*	1/1970	Lahti	381/371
D246,259	S	*	11/1977	Nishimura et al.	D14/205
D254,183	S	*	2/1980	Doodson	D14/205
D262,019	S	*	11/1981	Upshaw	D14/205
D286,772	S	*	11/1986	Pope	D14/205
D292,205	S	*	10/1987	Kikutani	D14/205
D346,802	S	*	5/1994	Sacherman et al.	D14/206
D447,472	S	*	9/2001	McGugan	D14/225
D518,479	S	*	4/2006	Skulley	D14/225
D530,307	S	*	10/2006	Rath	D14/206
D535,285	S	*	1/2007	Skulley	D14/205
D539,267	S	*	3/2007	Komiyama	D14/205

D541,256	S	*	4/2007	Rausch et al.	D14/205
D587,683	S	*	3/2009	Ham et al.	D14/205
D602,001	S	*	10/2009	Bentley	D14/206
D604,266	S	*	11/2009	Milde et al.	D14/205
D625,705	S	*	10/2010	Ohori et al.	D14/205
D635,958	S	*	4/2011	Ando et al.	D14/205
D645,023	S	*	9/2011	Brandis	D14/206
D647,081	S	*	10/2011	Kwon	D14/223
D654,471	S	*	2/2012	Fischer	D14/206
D654,472	S	*	2/2012	Fischer	D14/206
D666,168	S	*	8/2012	Rath	D14/206
D666,993	S	*	9/2012	Kelley	D14/205
D667,388	S	*	9/2012	Kelley	D14/206
D673,523	S	*	1/2013	Brennwald	D14/206

* cited by examiner

Primary Examiner — Paula Greene

(74) *Attorney, Agent, or Firm* — Michael Rodriguez

(57) **CLAIM**

The ornamental design for a communications headset, as shown and described.

DESCRIPTION

FIG. 1 is a front-top-right perspective view of a communications headset showing my new design; FIG. 2 is a front view thereof; FIG. 3 is a back view thereof; FIG. 4 is a right side view thereof; FIG. 5 is a left side view thereof; FIG. 6 is a bottom view thereof; and, FIG. 7 is a top view thereof. The broken lines showing of the unclaimed environment forms no part of the claimed design.

1 Claim, 6 Drawing Sheets

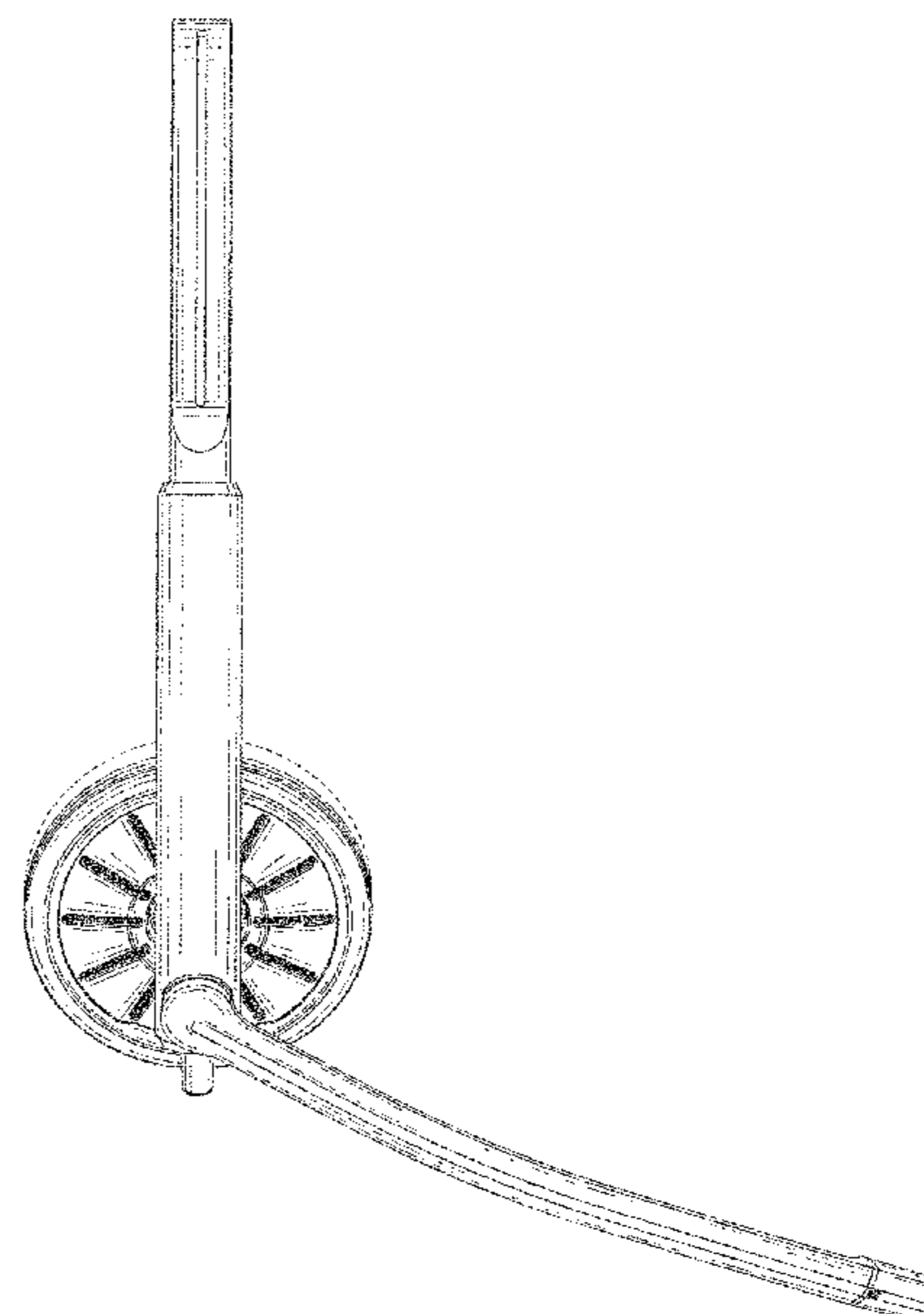




FIG. 1

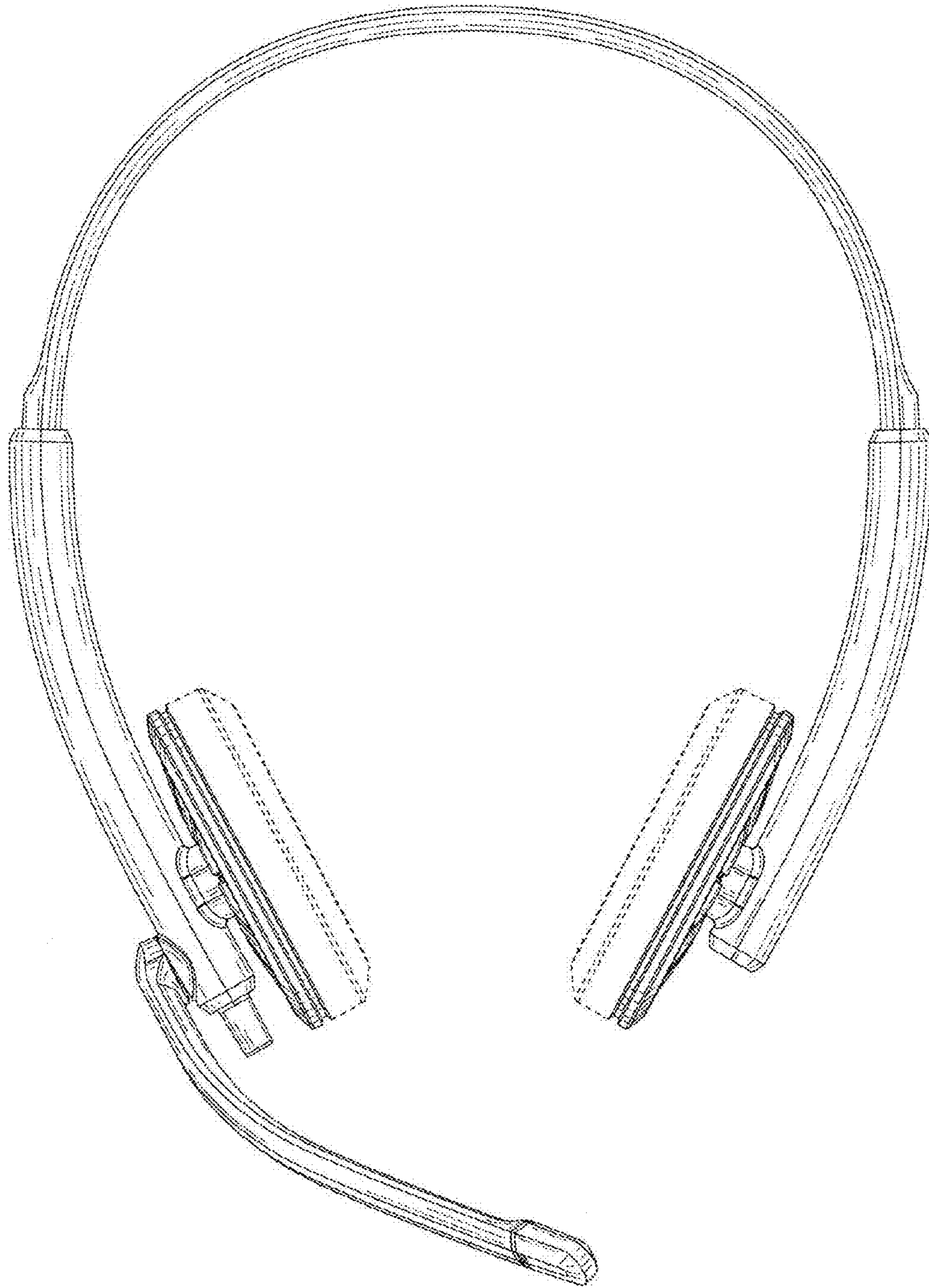


FIG. 2

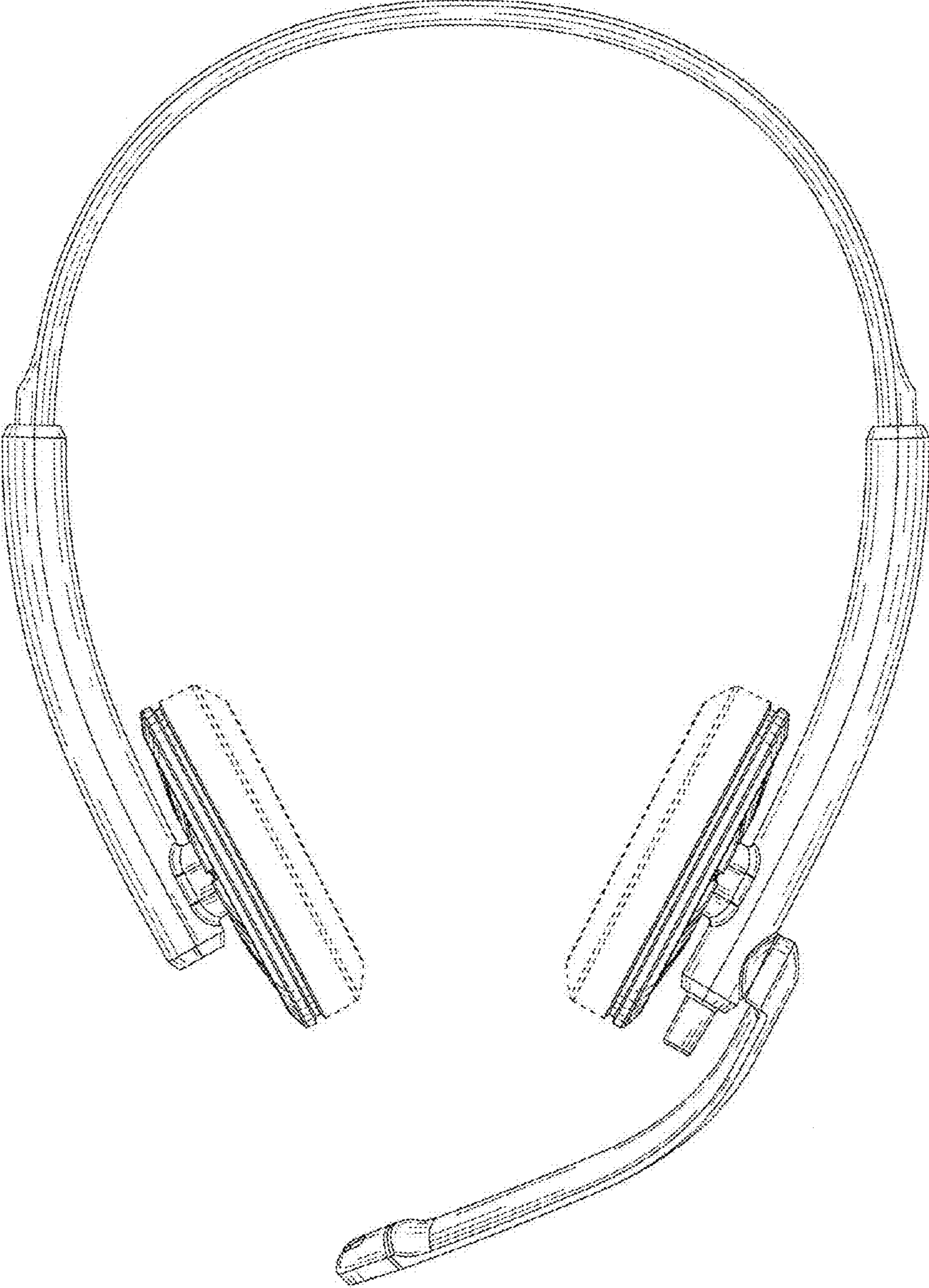


FIG. 3

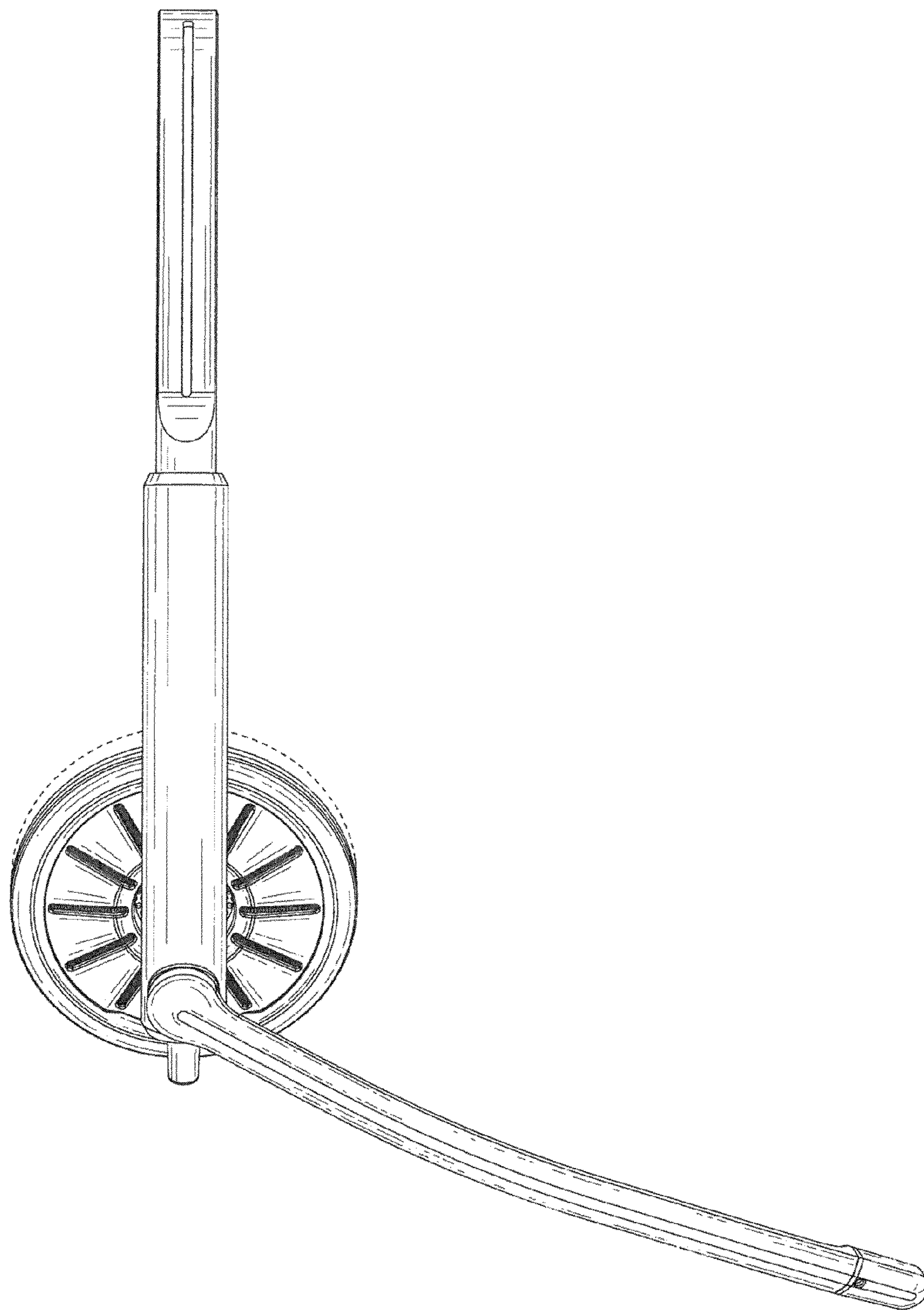


FIG. 4

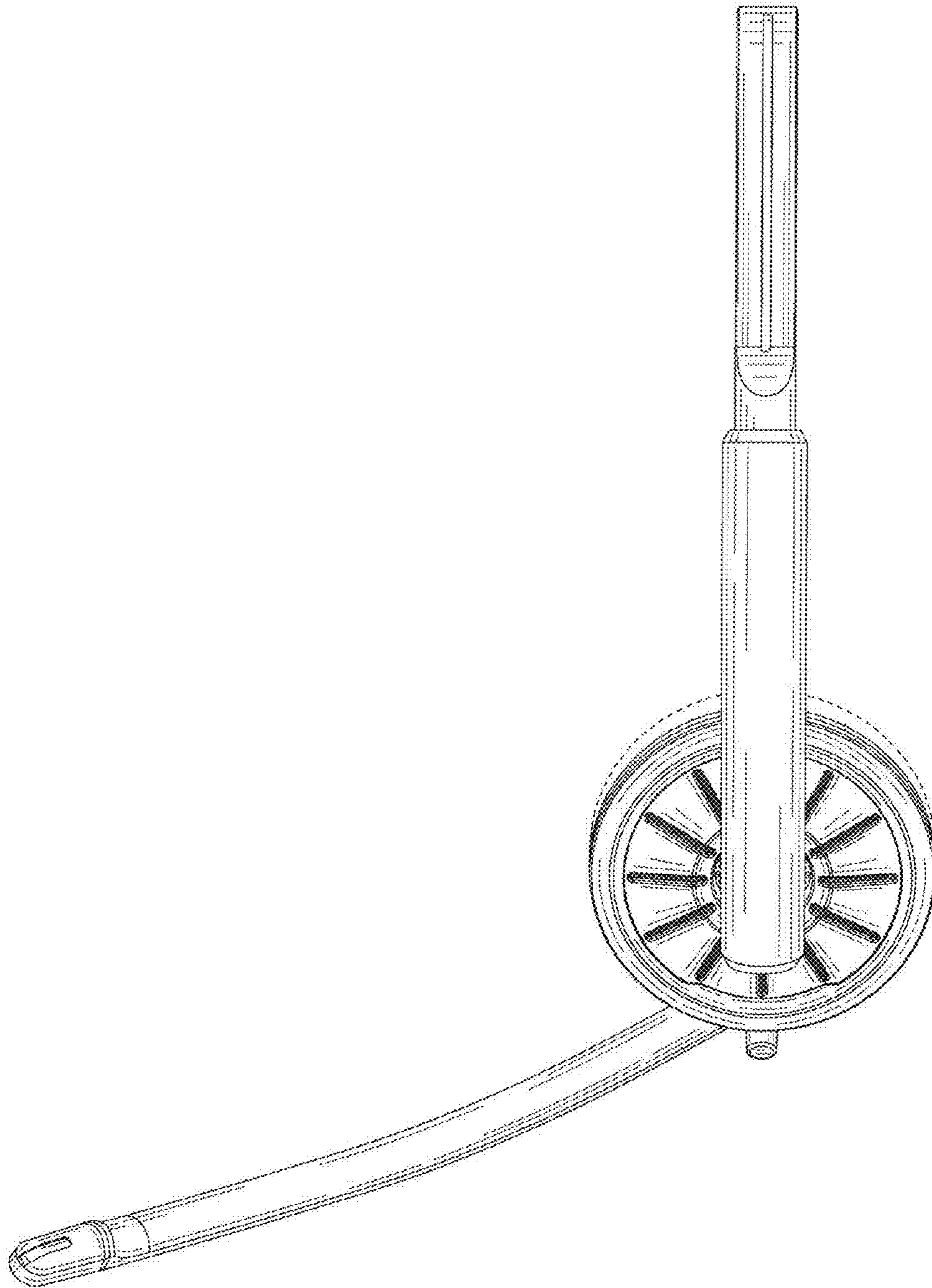


FIG. 5

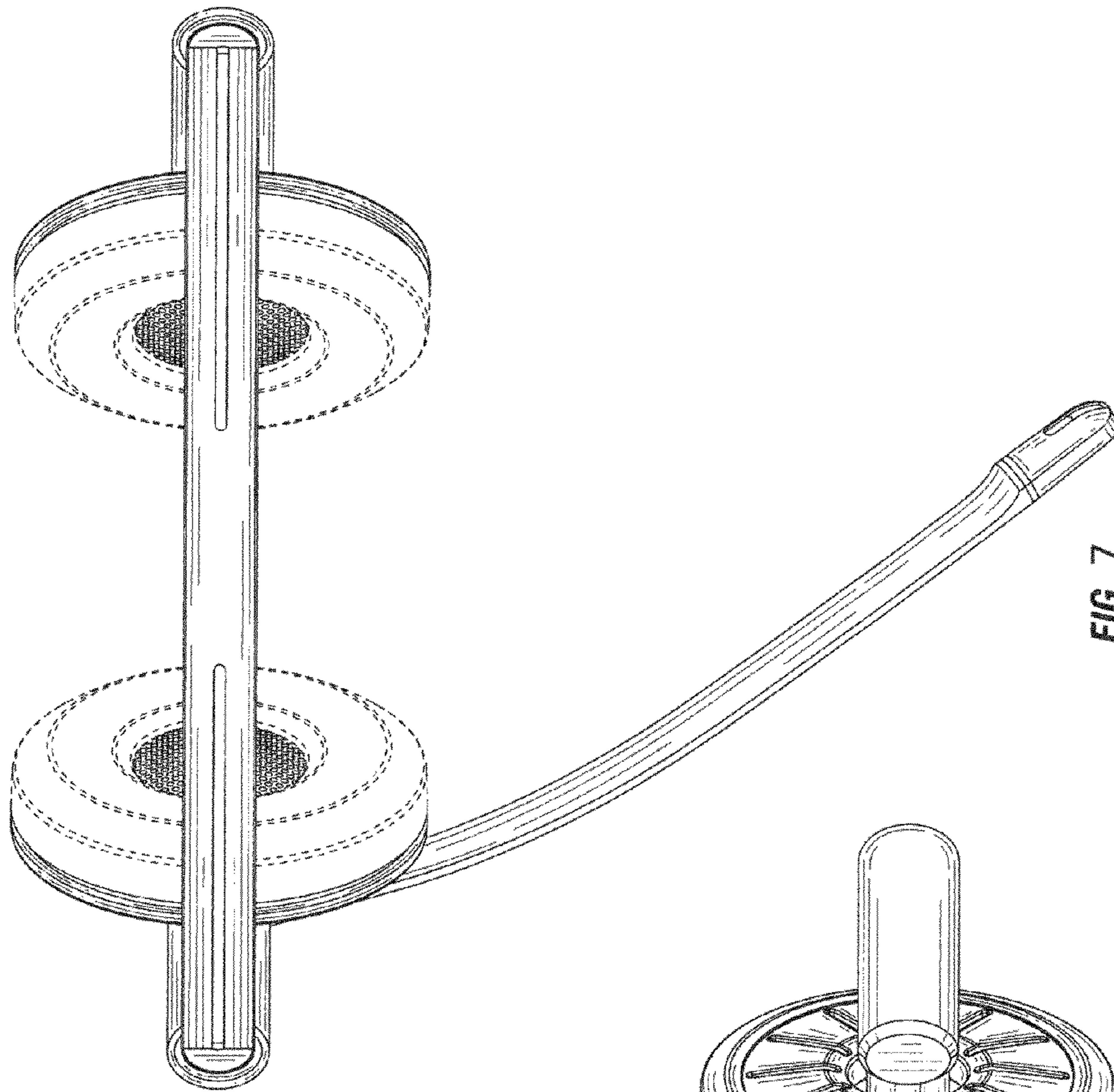


FIG. 7

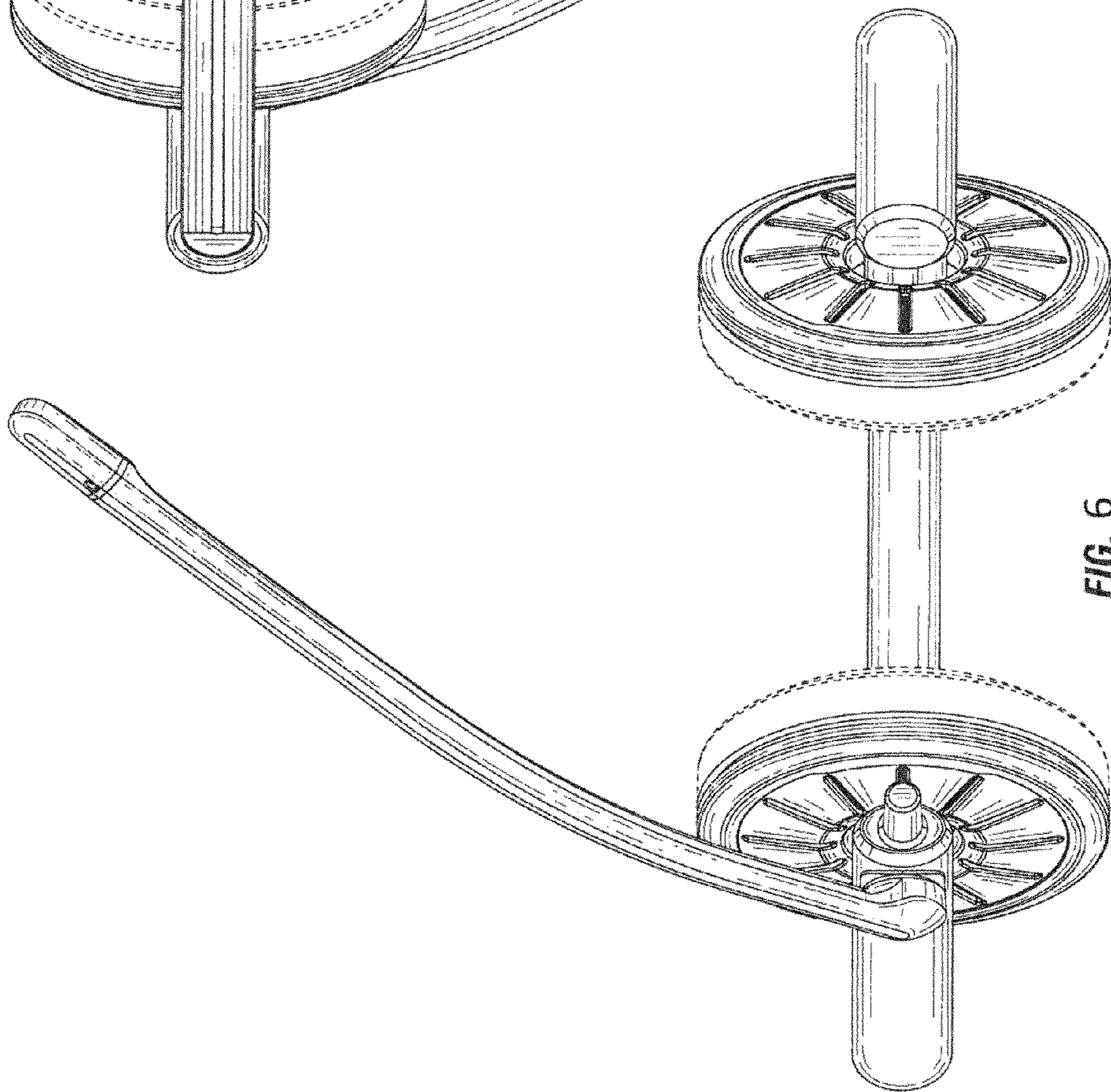


FIG. 6