



US00D681003S

(12) **United States Design Patent**
Ham et al.

(10) **Patent No.:** **US D681,003 S**

(45) **Date of Patent:** **** Apr. 30, 2013**

(54) **COMMUNICATIONS HEADSET**
(75) Inventors: **Soohyun Ham**, San Francisco, CA (US);
Stefan Gougherty, Santa Cruz, CA
(US); **John Kelley**, Santa Cruz, CA (US)

(73) Assignee: **Plantronics, Inc.**, Santa Cruz, CA (US)

(**) Term: **14 Years**

(21) Appl. No.: **29/418,399**

(22) Filed: **Apr. 16, 2012**

(51) **LOC (9) Cl.** **14-01**

(52) **U.S. Cl.**
USPC **D14/206**

(58) **Field of Classification Search** D14/205,
D14/206, 223, 225, 192; D24/174; 379/430,
379/431; 381/330, 380, 381, 370, 385, 376,
381/377, 378, 379; 181/129, 130, 135; 455/569.1,
455/575.1

See application file for complete search history.

(56) **References Cited**

U.S. PATENT DOCUMENTS

D179,150	S	*	11/1956	Norris	D14/192
3,101,155	A		8/1963	Hehr et al.		
3,209,080	A		9/1965	Guttner et al.		
4,617,431	A		10/1986	Scott et al.		
D354,568	S	*	1/1995	Araki et al.	D24/174
D451,907	S	*	12/2001	Amae et al.	D14/223
D457,635	S		5/2002	Dittli et al.		
D474,178	S		5/2003	Eroma		
D498,227	S	*	11/2004	Dyer et al.	D14/205
D506,258	S	*	6/2005	Nielsen	D24/174
D511,156	S		11/2005	Eroma et al.		
D512,984	S		12/2005	Ham		
D519,498	S		4/2006	Ham		
D520,496	S	*	5/2006	Gwee	D14/223
D521,492	S	*	5/2006	Ham	D14/205
D537,815	S		3/2007	Bentley et al.		
D539,266	S		3/2007	Bentley et al.		
D541,787	S	*	5/2007	Ma	D14/205

D603,372	S	*	11/2009	Bentley	D14/206
D612,834	S		3/2010	Yang et al.		
D612,835	S		3/2010	Yang et al.		
D612,840	S	*	3/2010	Yang et al.	D14/223
D647,877	S	*	11/2011	Son	D14/206
D657,347	S		4/2012	Chung et al.		
D670,267	S	*	11/2012	Maddern	D14/206
D671,915	S	*	12/2012	Birger	D14/206

FOREIGN PATENT DOCUMENTS

WO 00/21383 4/2000

OTHER PUBLICATIONS

Looxcie Launches First Wearable Camcorder and Social Sharing System, Sep. 15, 2010, Sunnyvale, CA.
Nokia Design Registration No. 23677 Application No. 20030252.
Publication Date: Jun. 15, 2004.

* cited by examiner

Primary Examiner — Paula Greene

(74) *Attorney, Agent, or Firm* — Michael Rodriguez

(57) **CLAIM**

The ornamental design for a communications headset, as shown and described.

DESCRIPTION

FIG. 1 is a back-top-right perspective view of a communications headset showing our new design, the microphone boom of the communications headset is drawn broken away for indeterminate length;

FIG. 2 is a front view thereof;

FIG. 3 is a back view thereof;

FIG. 4 is a right side view thereof;

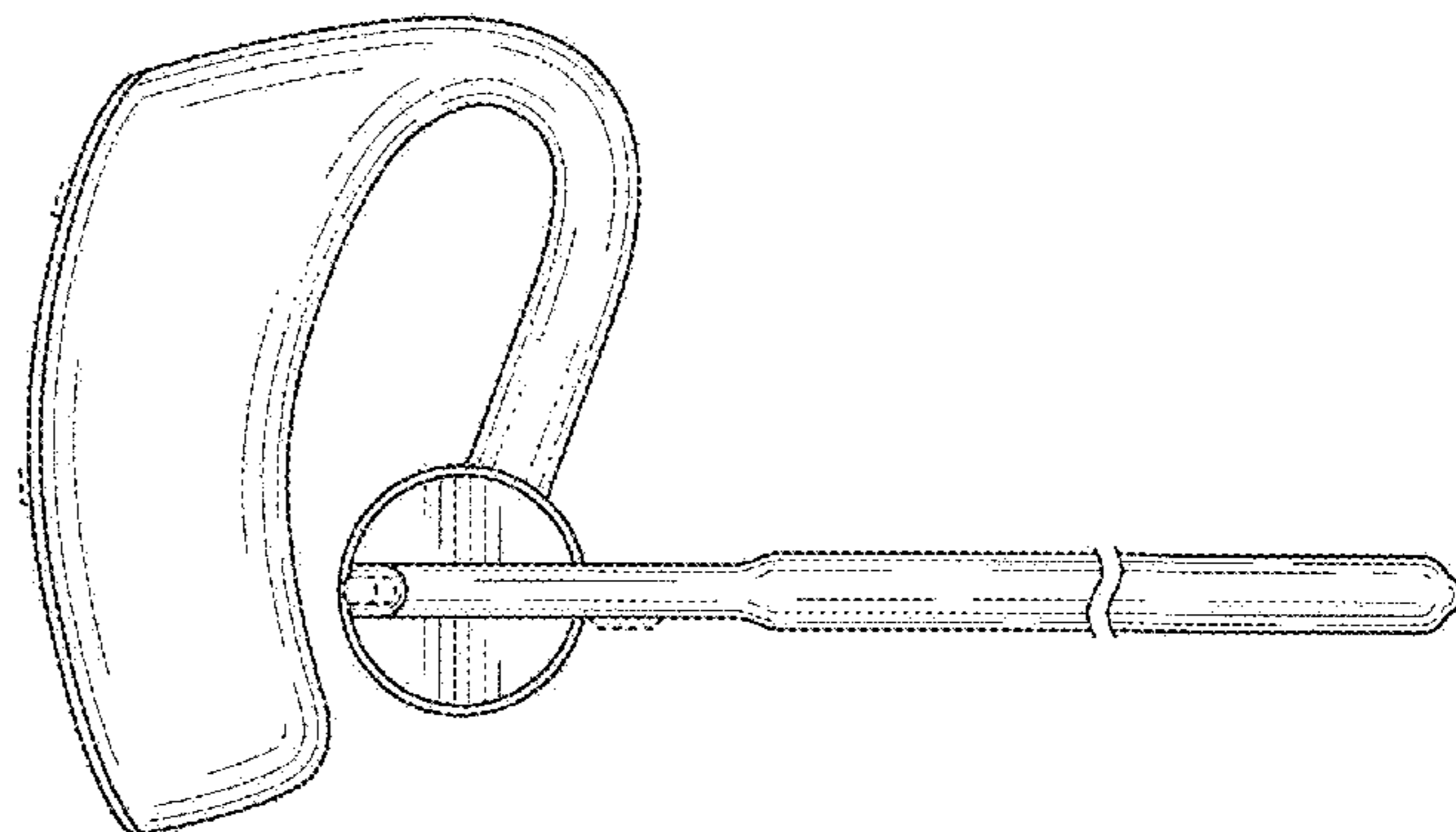
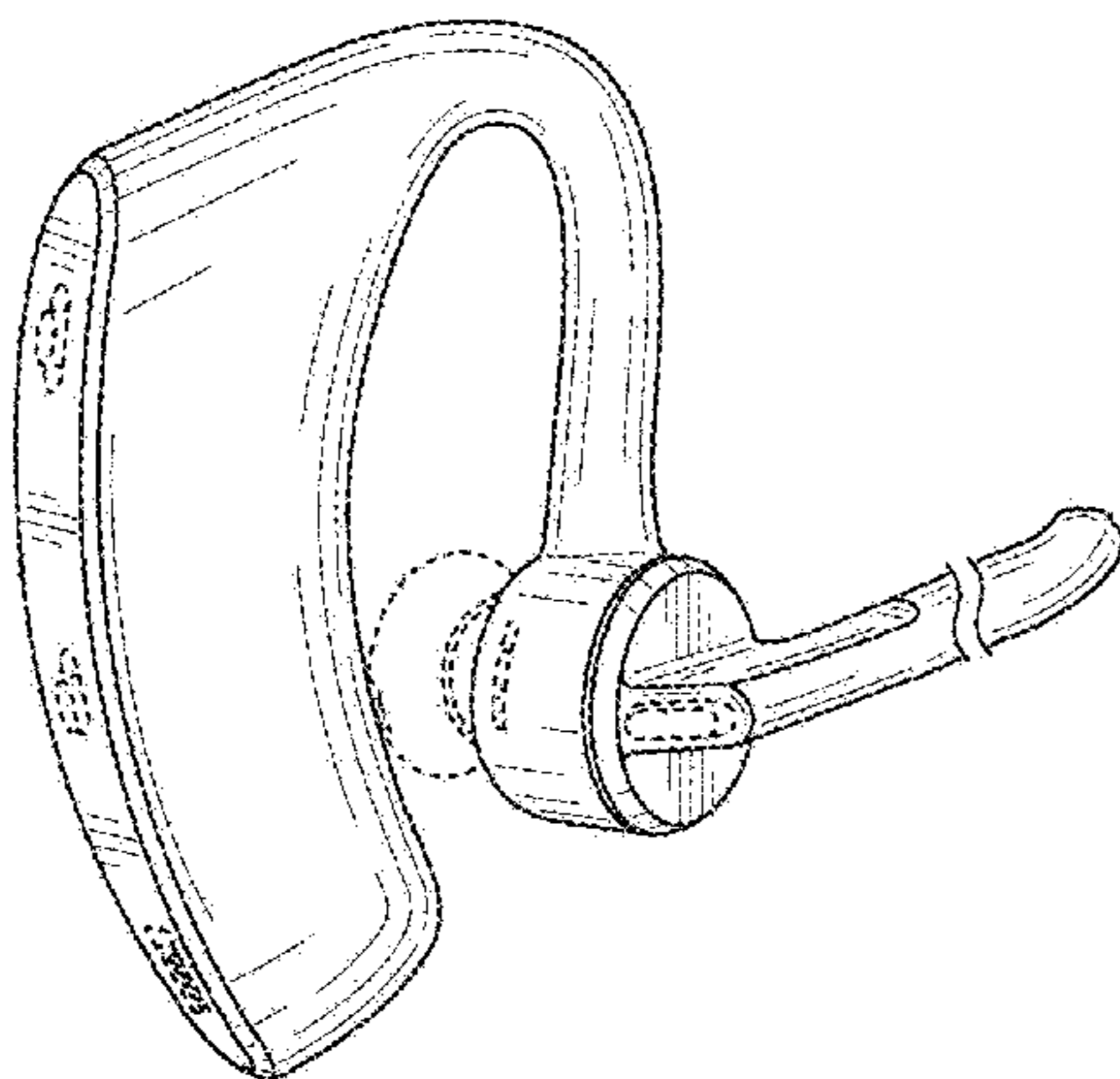
FIG. 5 is a left side view thereof;

FIG. 6 is a bottom view thereof; and,

FIG. 7 is a top view thereof.

The broken lines showing of the unclaimed environment forms no part of the claimed design.

1 Claim, 3 Drawing Sheets



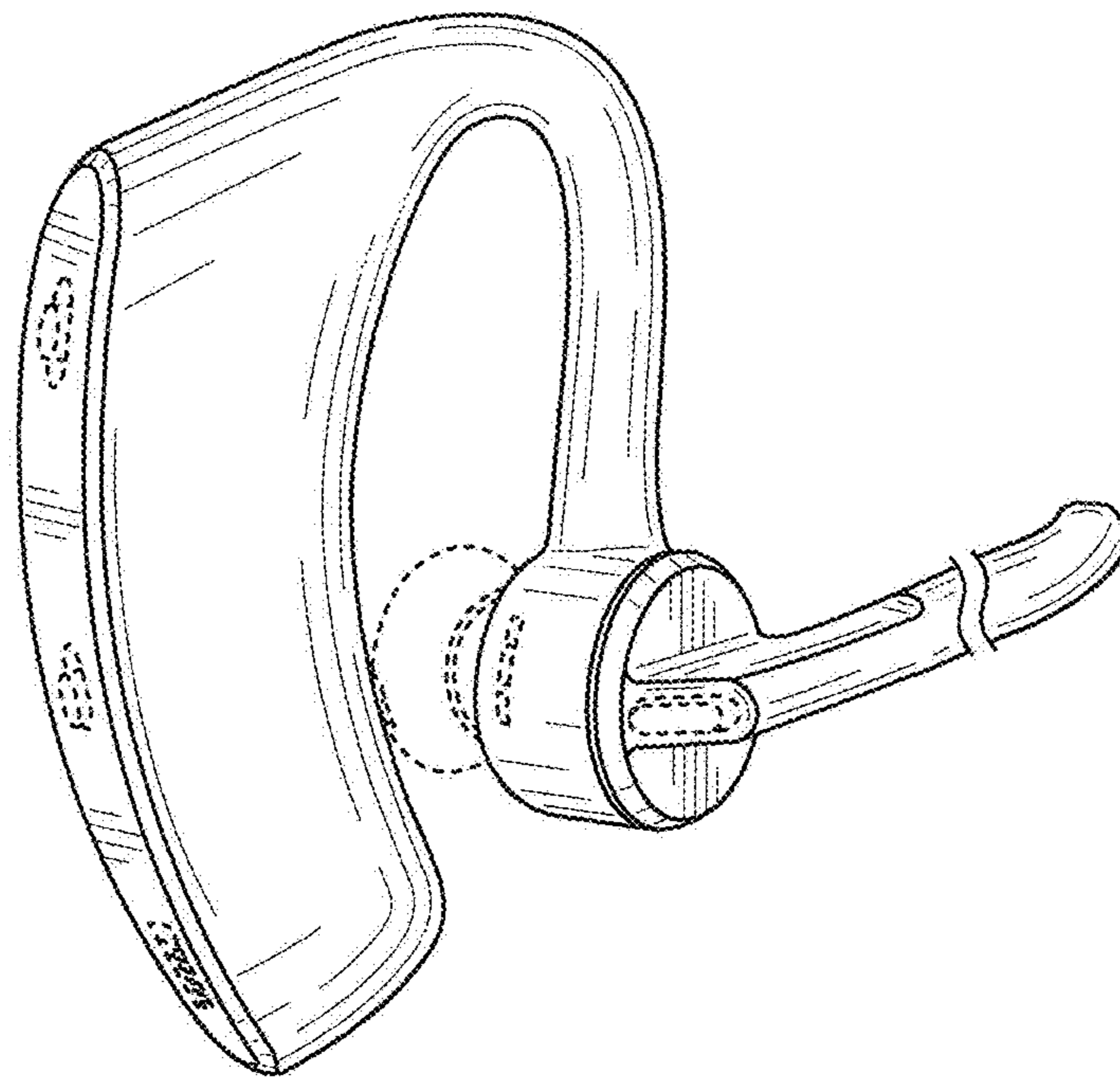


FIG. 1

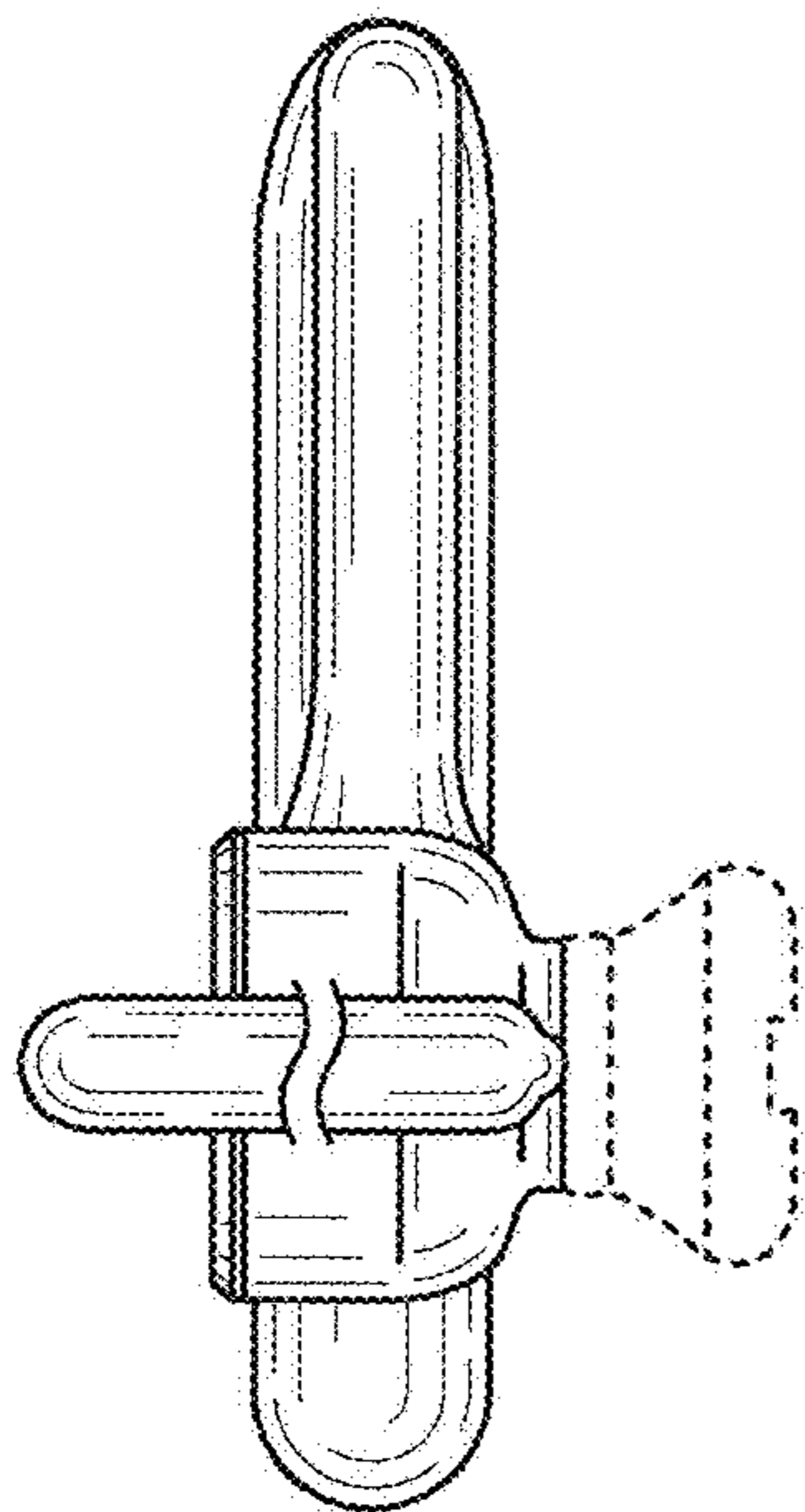


FIG. 2

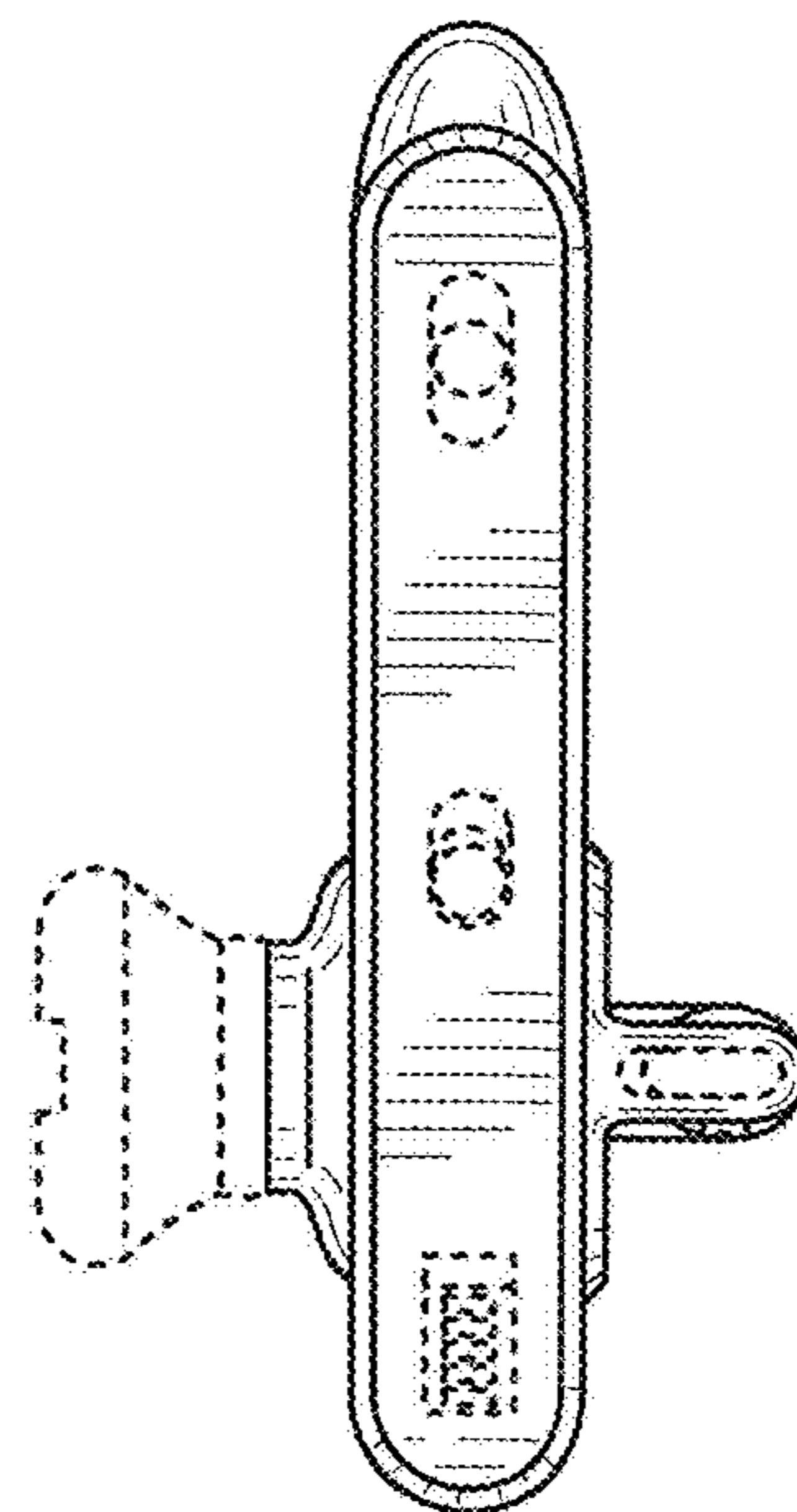


FIG. 3

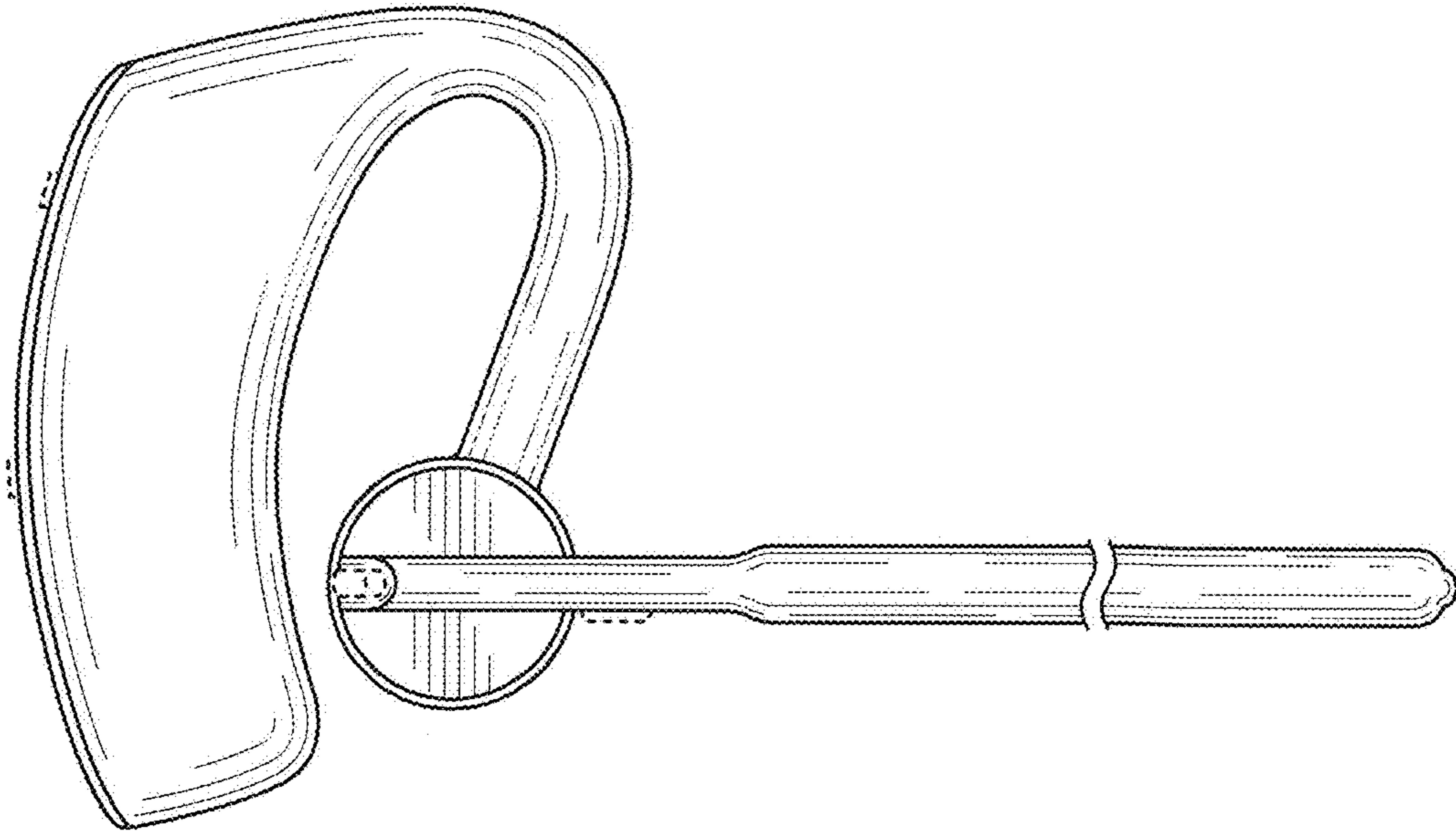


FIG. 4

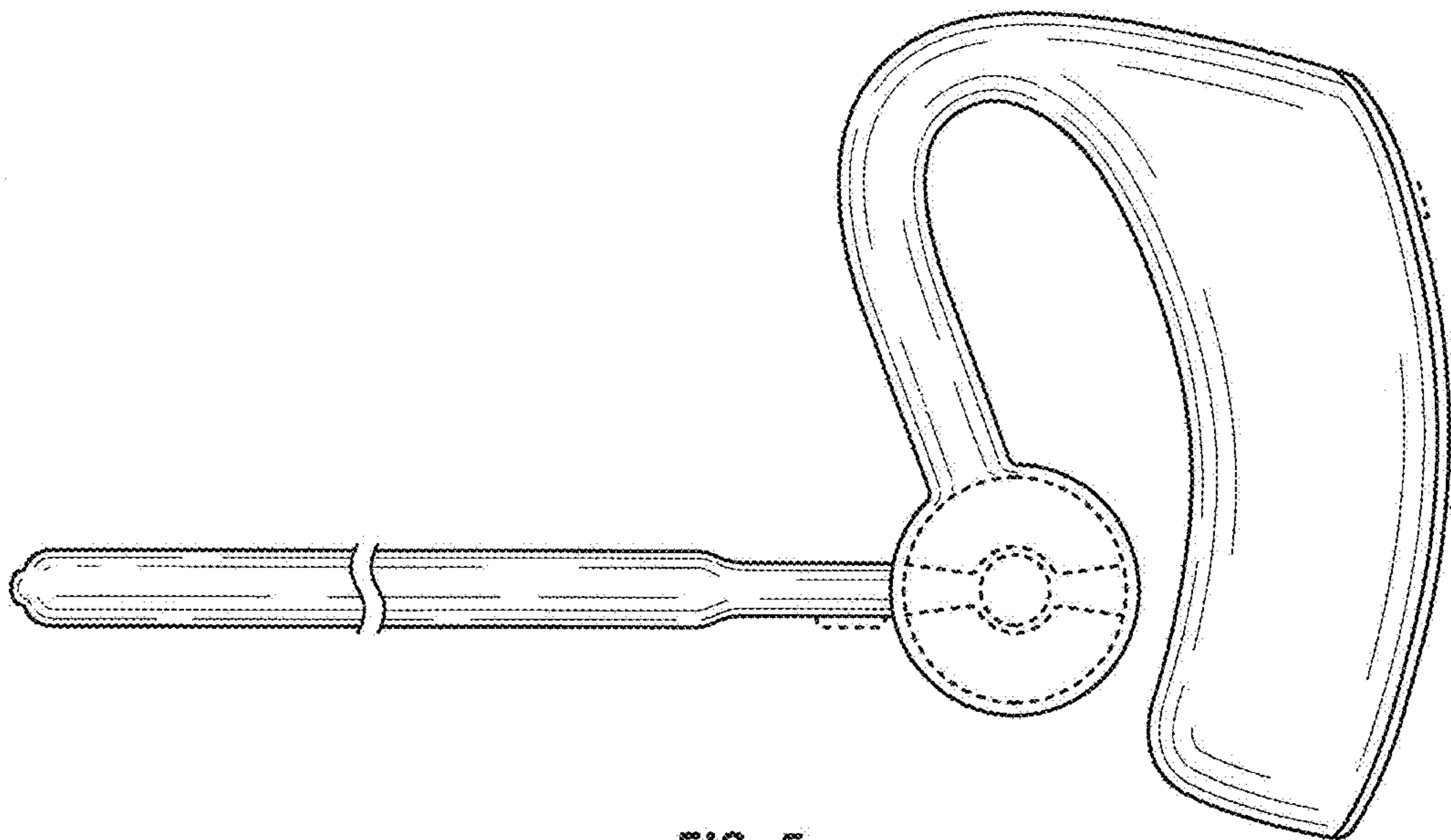


FIG. 5

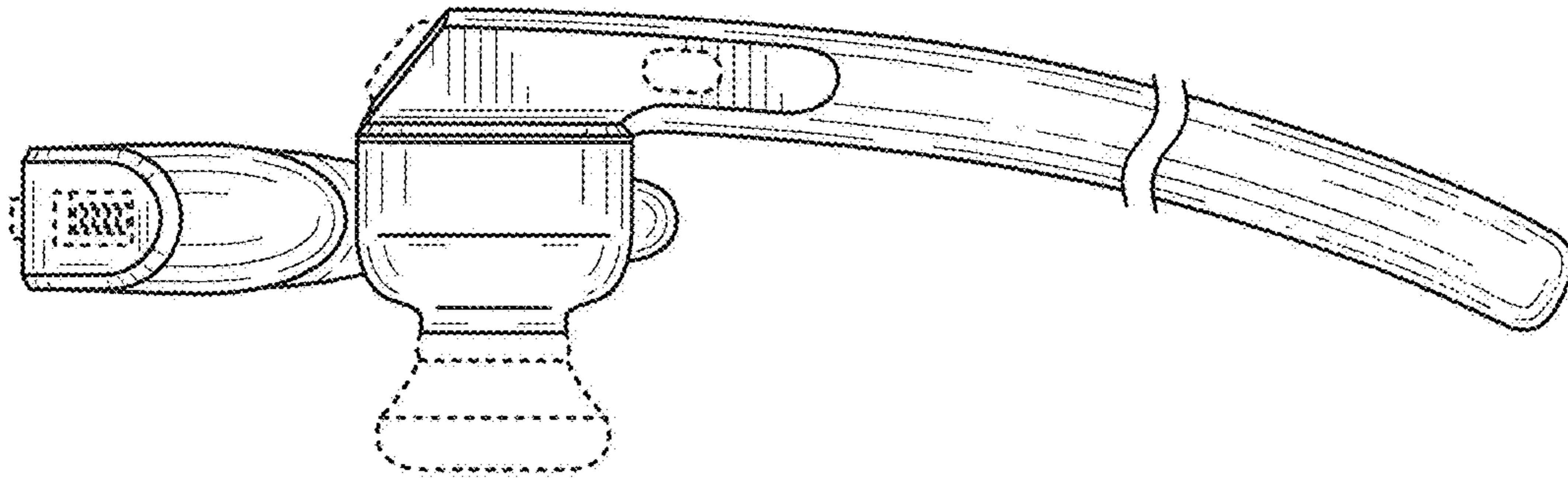


FIG. 6

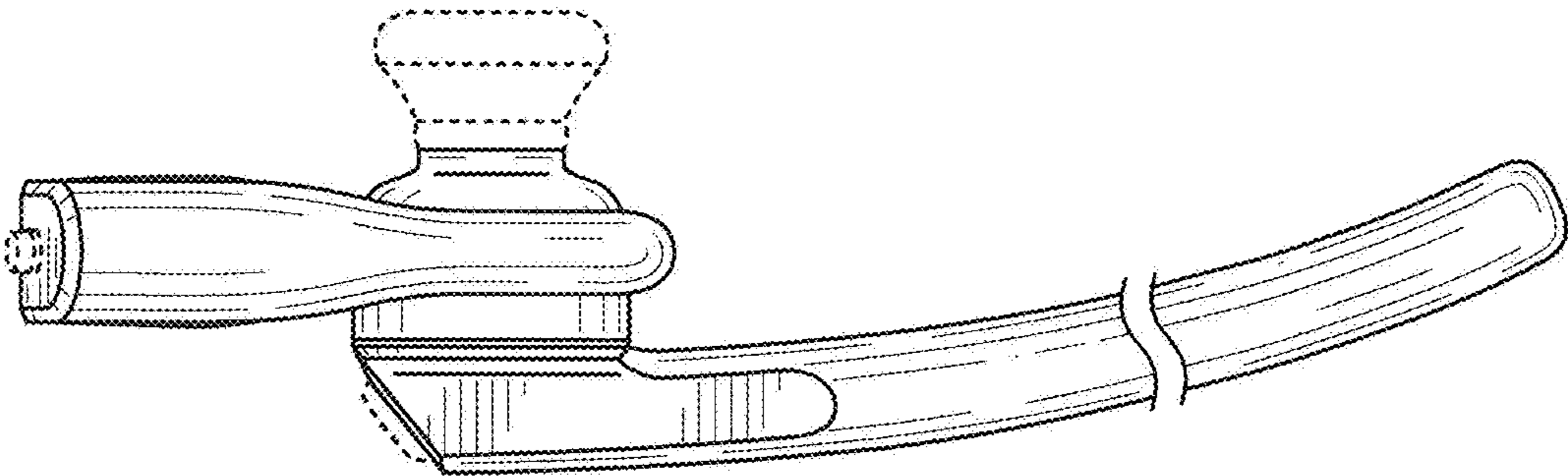


FIG. 7