



US00D681000S

(12) **United States Design Patent**  
**Koh et al.**

(10) **Patent No.:** **US D681,000 S**

(45) **Date of Patent:** **\*\* Apr. 30, 2013**

(54) **PORTABLE MULTIMEDIA TERMINAL**

(75) Inventors: **Min-Ah Koh**, Seoul (KR); **Min-Hyouk Lee**, Seoul (KR)

(73) Assignee: **Samsung Electronics Co., Ltd.**, Suwon-Si (KR)

(\*\*) Term: **14 Years**

(21) Appl. No.: **29/411,663**

(22) Filed: **Jan. 25, 2012**

(30) **Foreign Application Priority Data**

Aug. 30, 2011 (KR) ..... 30-2011-0036123

(51) **LOC (9) Cl.** ..... **14-03**

(52) **U.S. Cl.**  
USPC ..... **D14/203.4; D14/496**

(58) **Field of Classification Search** ..... D14/496,  
D14/401, 435, 474, 483, 217, 137, 138, 160,  
D14/168, 356; 345/156, 169, 173-179, 905;  
715/727-729, 864; 710/1, 5, 8; 713/1, 600;  
455/11, 1.7, 73, 344-348, 93, 95, 3.01-3.06,  
455/550.1, 573.1; 370/342-344; 369/1,  
369/2, 6, 12; 463/43-47; 273/148 B

See application file for complete search history.

(56) **References Cited**

**U.S. PATENT DOCUMENTS**

5,027,394 A \* 6/1991 Ono et al. .... 379/434  
5,214,514 A \* 5/1993 Haberkern ..... 386/359  
6,353,529 B1 \* 3/2002 Cies ..... 361/679.05  
6,684,089 B1 \* 1/2004 Lee ..... 455/575.3

6,900,981 B2 \* 5/2005 Kuivas et al. .... 361/679.06  
D509,819 S \* 9/2005 Yang ..... D14/203.4  
D512,073 S \* 11/2005 Rodarte ..... D14/203.4  
D526,662 S \* 8/2006 Choi ..... D14/496  
7,151,911 B2 \* 12/2006 Matsumoto ..... 455/90.2  
7,233,319 B2 \* 6/2007 Johnson et al. .... 345/166  
D554,149 S \* 10/2007 Kim ..... D14/496  
D594,028 S \* 6/2009 Fuchsberg et al. .... D14/496  
7,898,565 B2 \* 3/2011 Moengen ..... 348/14.08

\* cited by examiner

*Primary Examiner* — Prabhakar Deshmukh

(74) *Attorney, Agent, or Firm* — Staas & Halsey LLP

(57) **CLAIM**

The ornamental design for a portable multimedia terminal, as shown and described.

**DESCRIPTION**

FIG. 1 is a front perspective view of a portable multimedia terminal;  
FIG. 2 is a front view of the portable multimedia terminal of FIG. 1;  
FIG. 3 is a rear view of the portable multimedia terminal of FIG. 1;  
FIG. 4 is a left-side view of the portable multimedia terminal of FIG. 1;  
FIG. 5 is a right-side view of the portable multimedia terminal of FIG. 1;  
FIG. 6 is a top plan view of the portable multimedia terminal of FIG. 1;  
FIG. 7 is a bottom plan view of the portable multimedia terminal of FIG. 1; and,  
FIG. 8 is an open perspective view of the portable multimedia terminal of FIG. 1.

**1 Claim, 8 Drawing Sheets**

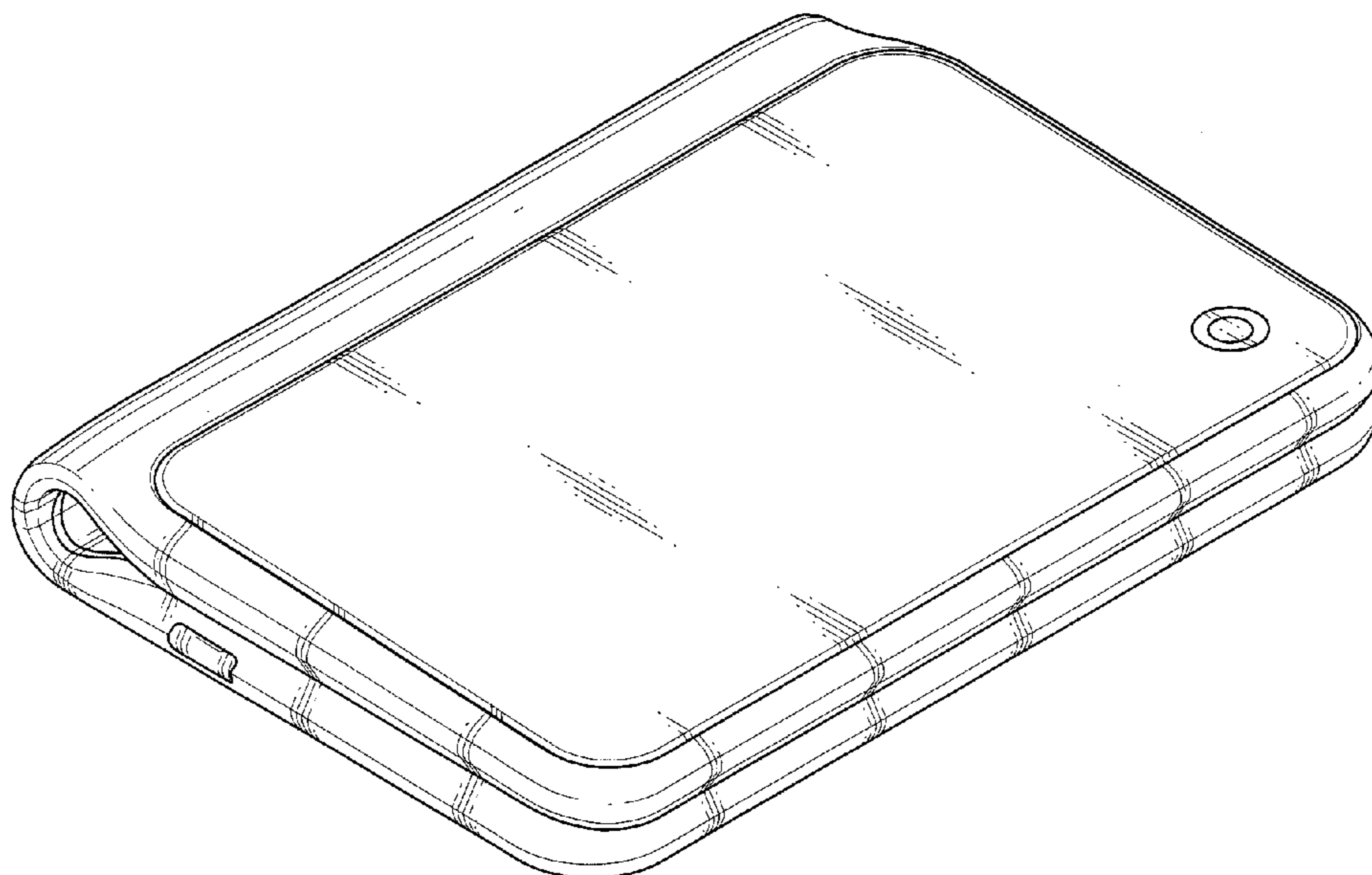


FIG. 1

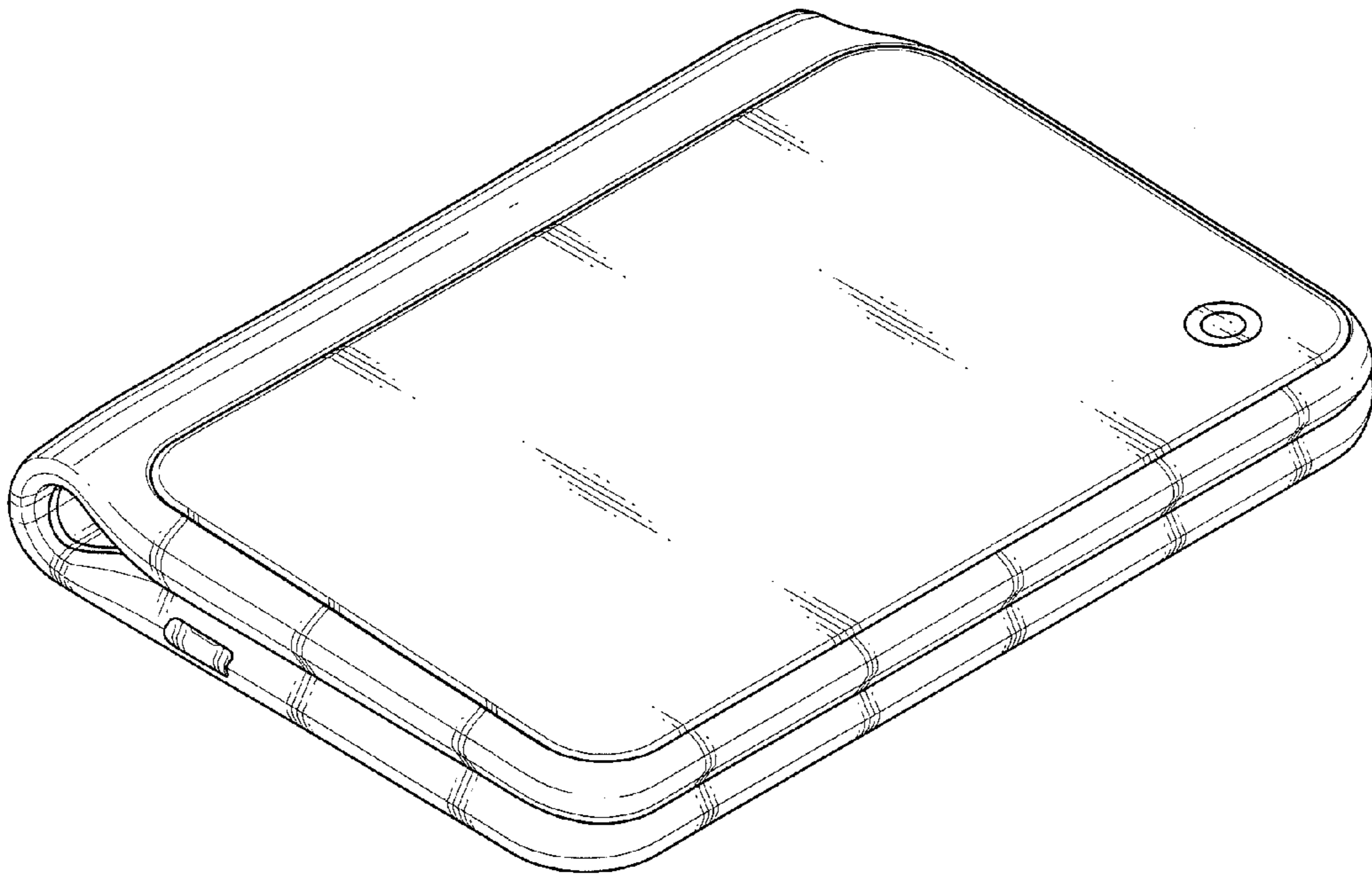


FIG. 2

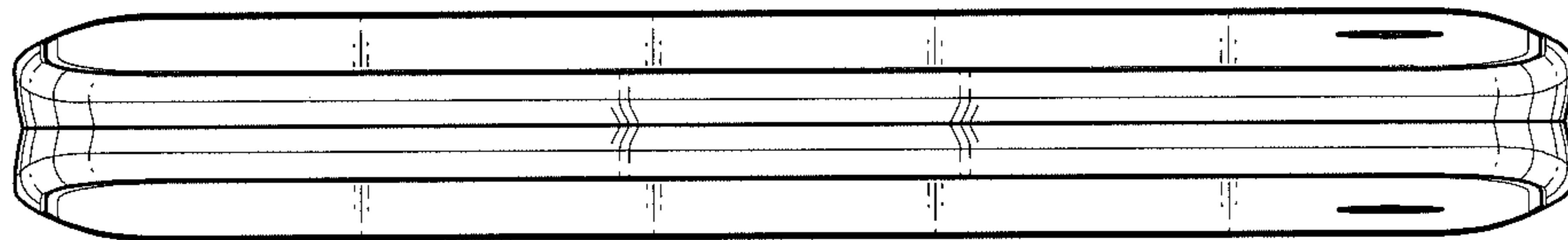


FIG. 3

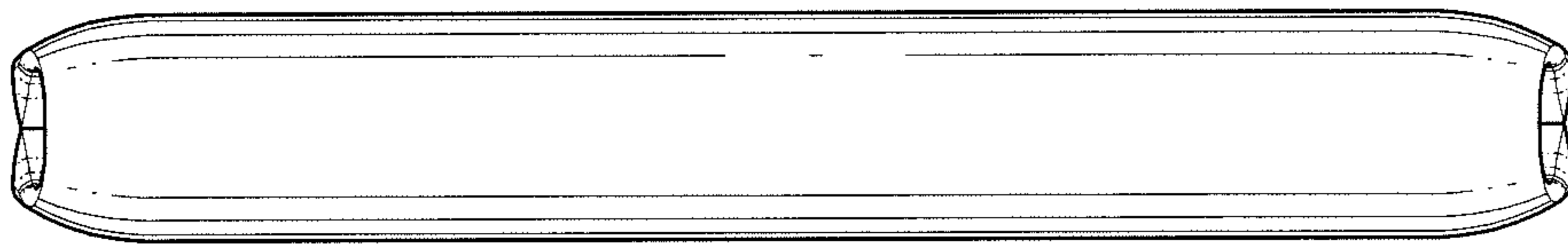


FIG. 4

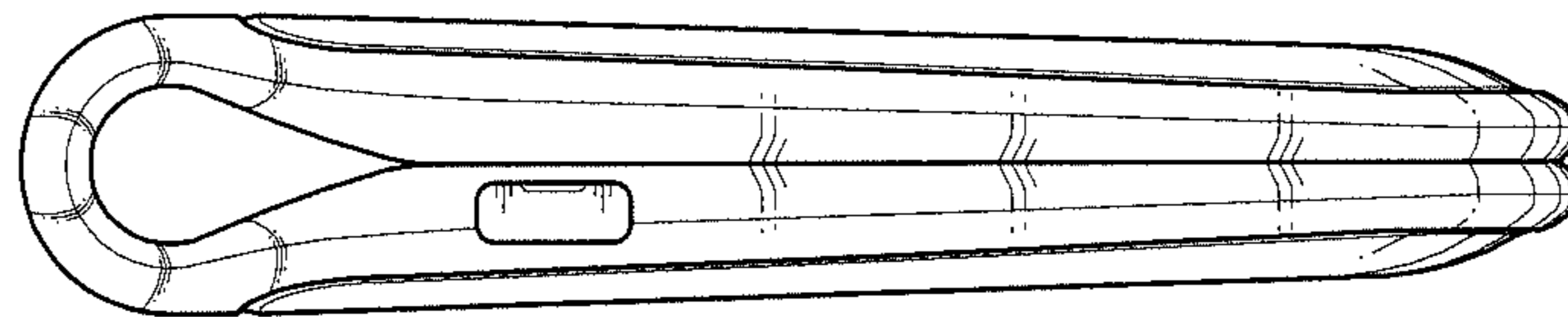


FIG. 5

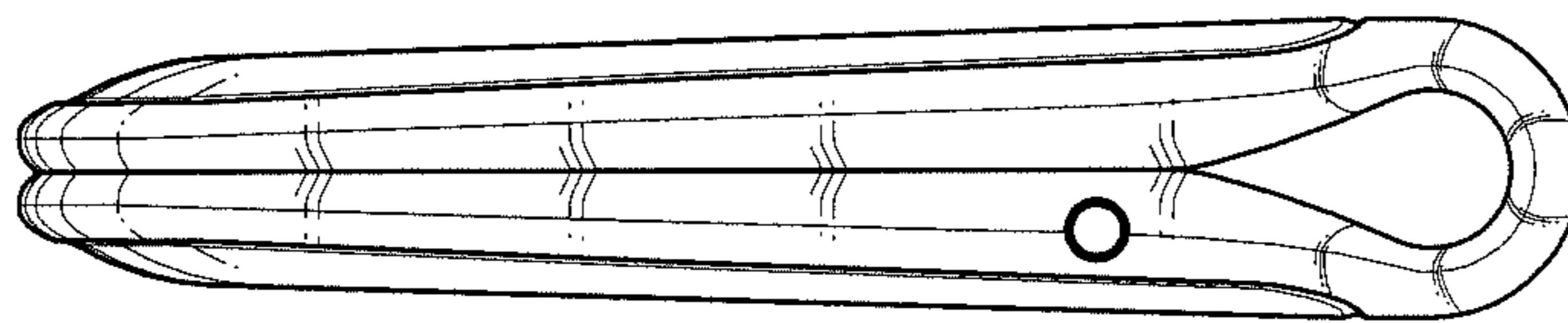


FIG. 6

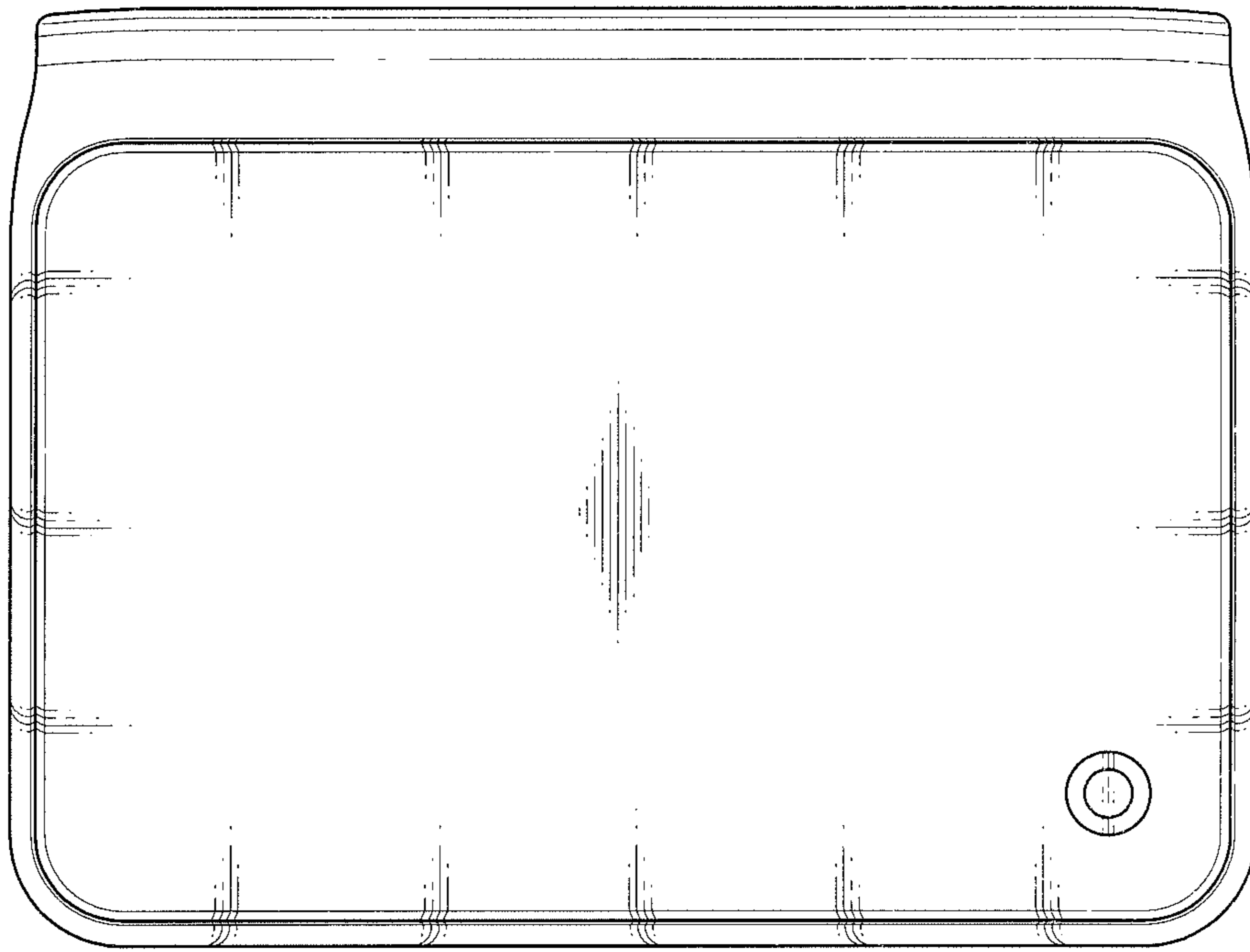


FIG. 7

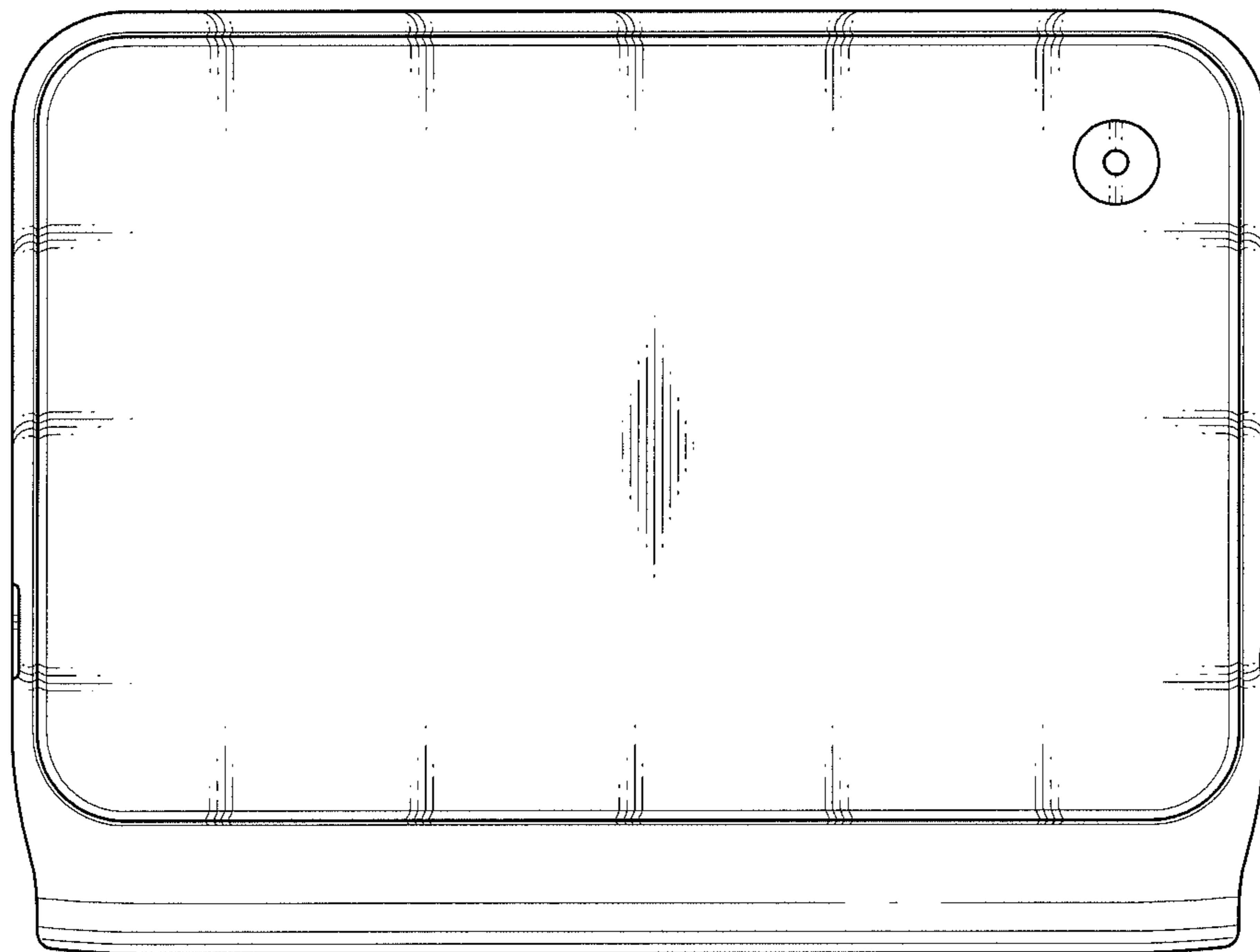




FIG. 8

