



US00D680999S

(12) **United States Design Patent**
Chan

(10) **Patent No.:** **US D680,999 S**

(45) **Date of Patent:** **** Apr. 30, 2013**

(54) **VOICE CHANGER**

(71) Applicant: **Chiu Chan**, Kowloon (HK)

(72) Inventor: **Chiu Chan**, Kowloon (HK)

(**) Term: **14 Years**

(21) Appl. No.: **29/433,314**

(22) Filed: **Sep. 28, 2012**

(51) **LOC (9) Cl.** **14-03**

(52) **U.S. Cl.**
USPC **D14/158**; D14/187

(58) **Field of Classification Search** D14/185-187,
D14/204, 158; D16/132, 135; D21/401,
D21/405, 483; 116/137 R; 181/177, 178,
181/184, 187, 188; 381/75, 175, 177, 182;
446/397, 484, 901; D10/120, 121
See application file for complete search history.

(56) **References Cited**

U.S. PATENT DOCUMENTS

1,926,688 A * 9/1933 Schaal 116/137 R
D99,177 S * 4/1936 Armstrong D10/120

3,412,207 A * 11/1968 Sugawara 381/75
D271,968 S * 12/1983 Segan et al. D14/187
D372,916 S * 8/1996 Starck D14/195
5,859,915 A * 1/1999 Norris 381/75
D488,736 S * 4/2004 Wiggerman D10/120
D508,720 S * 8/2005 Yuen D21/405
D568,195 S * 5/2008 Solow D10/120
D592,177 S * 5/2009 Dobbs et al. D14/158
D630,540 S * 1/2011 Barley et al. D10/121

* cited by examiner

Primary Examiner — Austin Murphy

(74) *Attorney, Agent, or Firm* — Sonya C. Harris; Invention Services China Hong Kong IP Limited

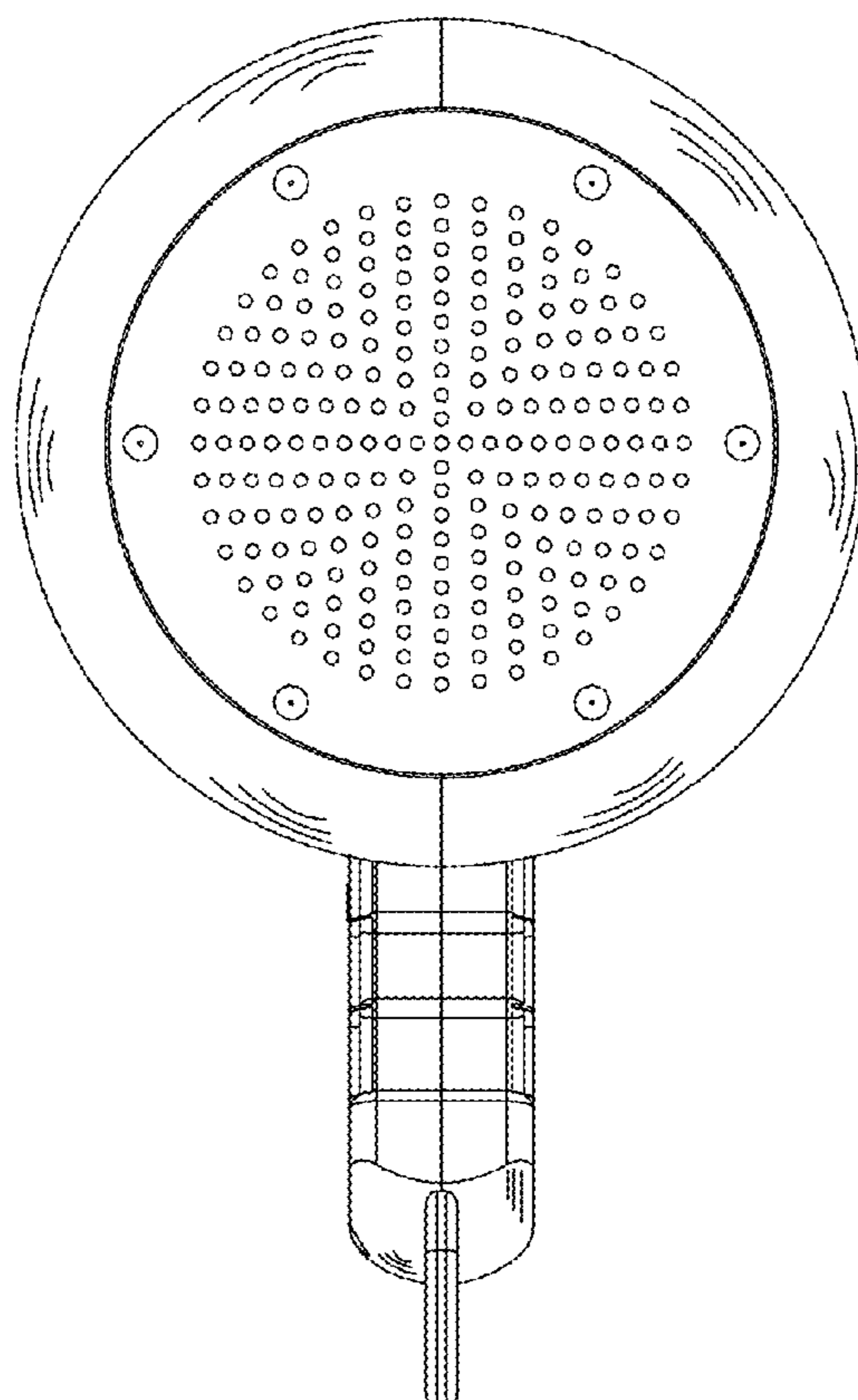
(57) **CLAIM**

The ornamental design for a voice changer, as shown.

DESCRIPTION

FIG. 1 is a front elevational view of a voice changer showing my new design;
FIG. 2 is a rear elevational view thereof;
FIG. 3 is a left side view thereof;
FIG. 4 is a right side view thereof;
FIG. 5 is a top plan view thereof;
FIG. 6 is a bottom plan view thereof; and,
FIG. 7 is a front perspective view thereof.

1 Claim, 7 Drawing Sheets



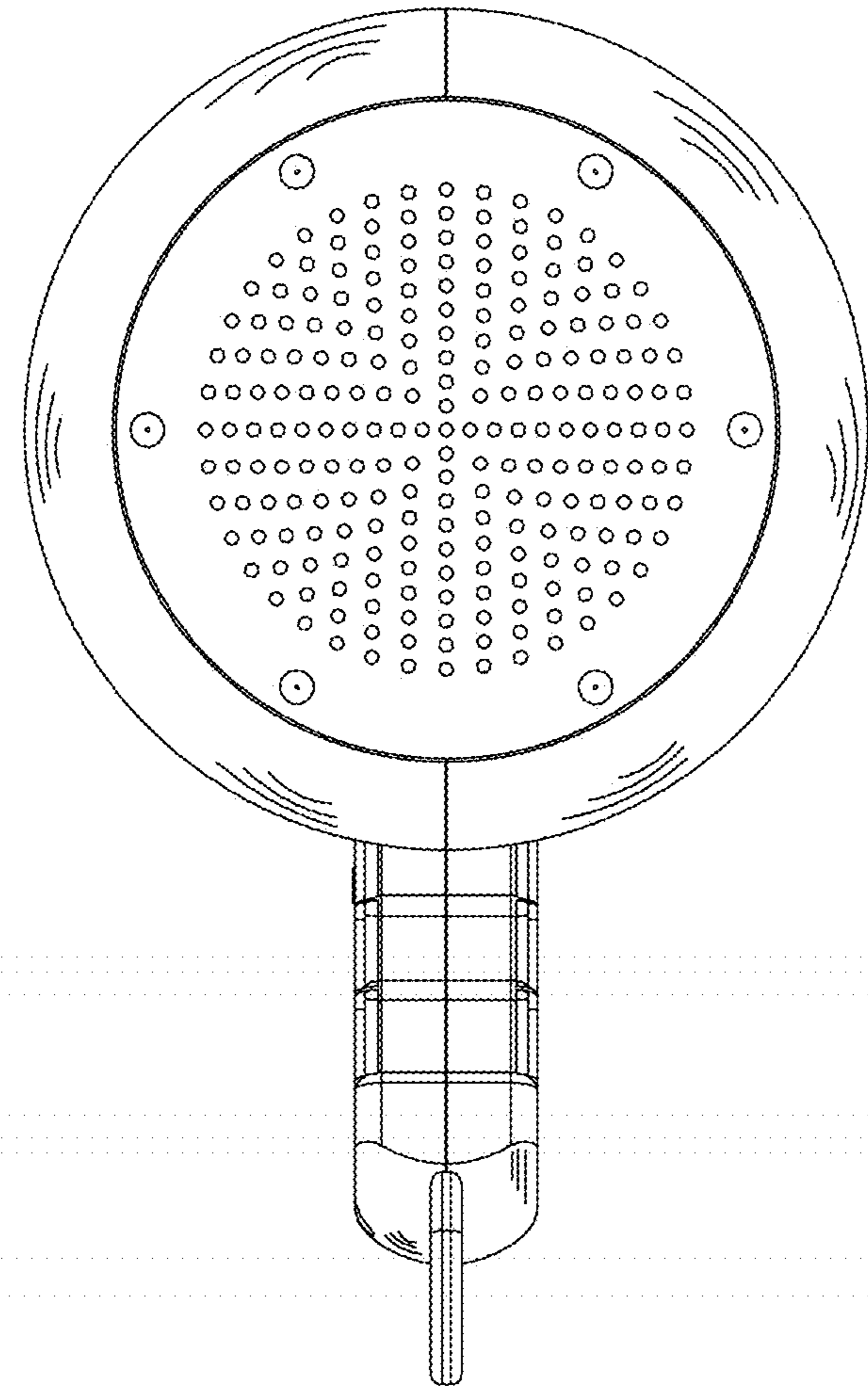


FIG. 1

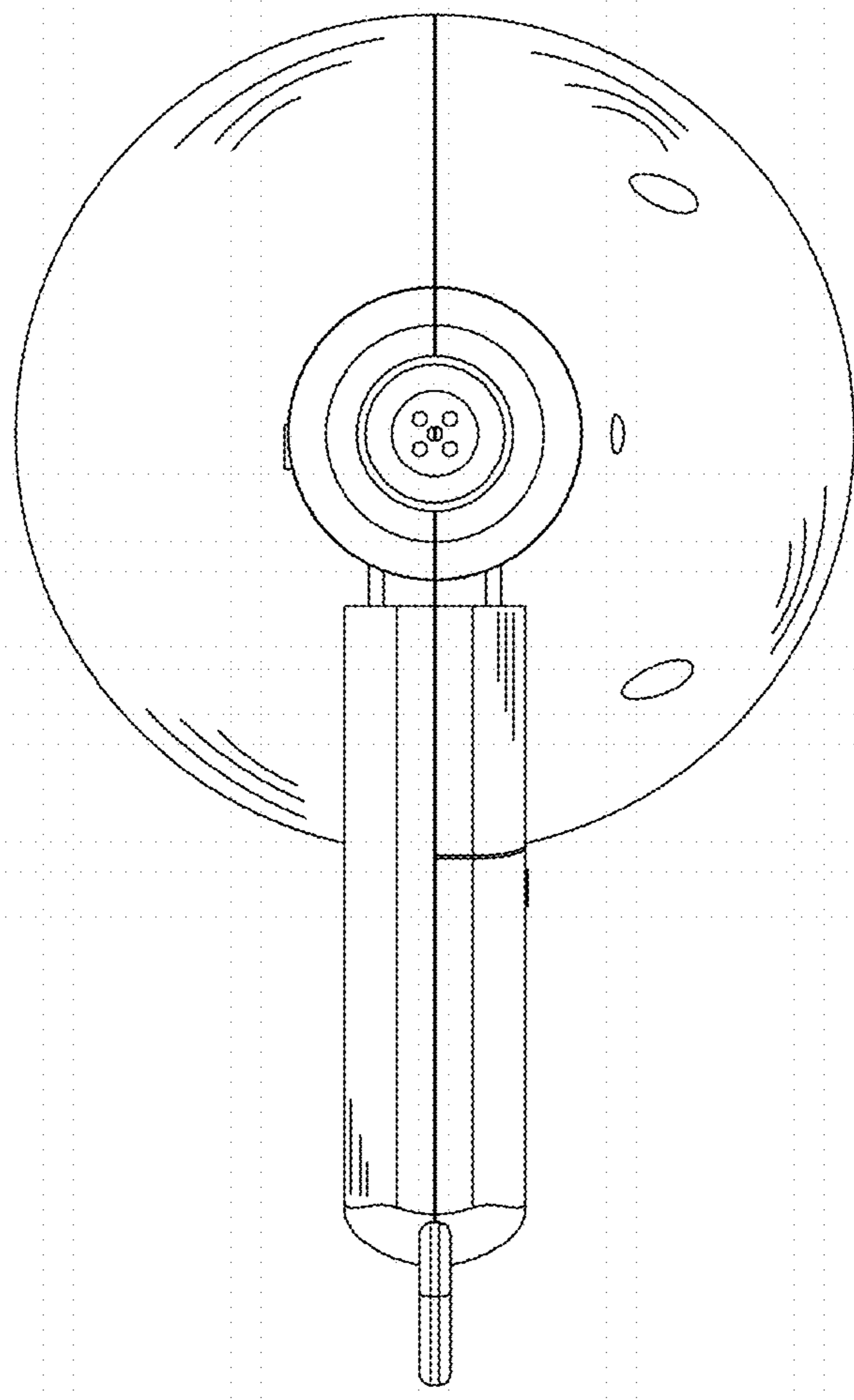


FIG. 2

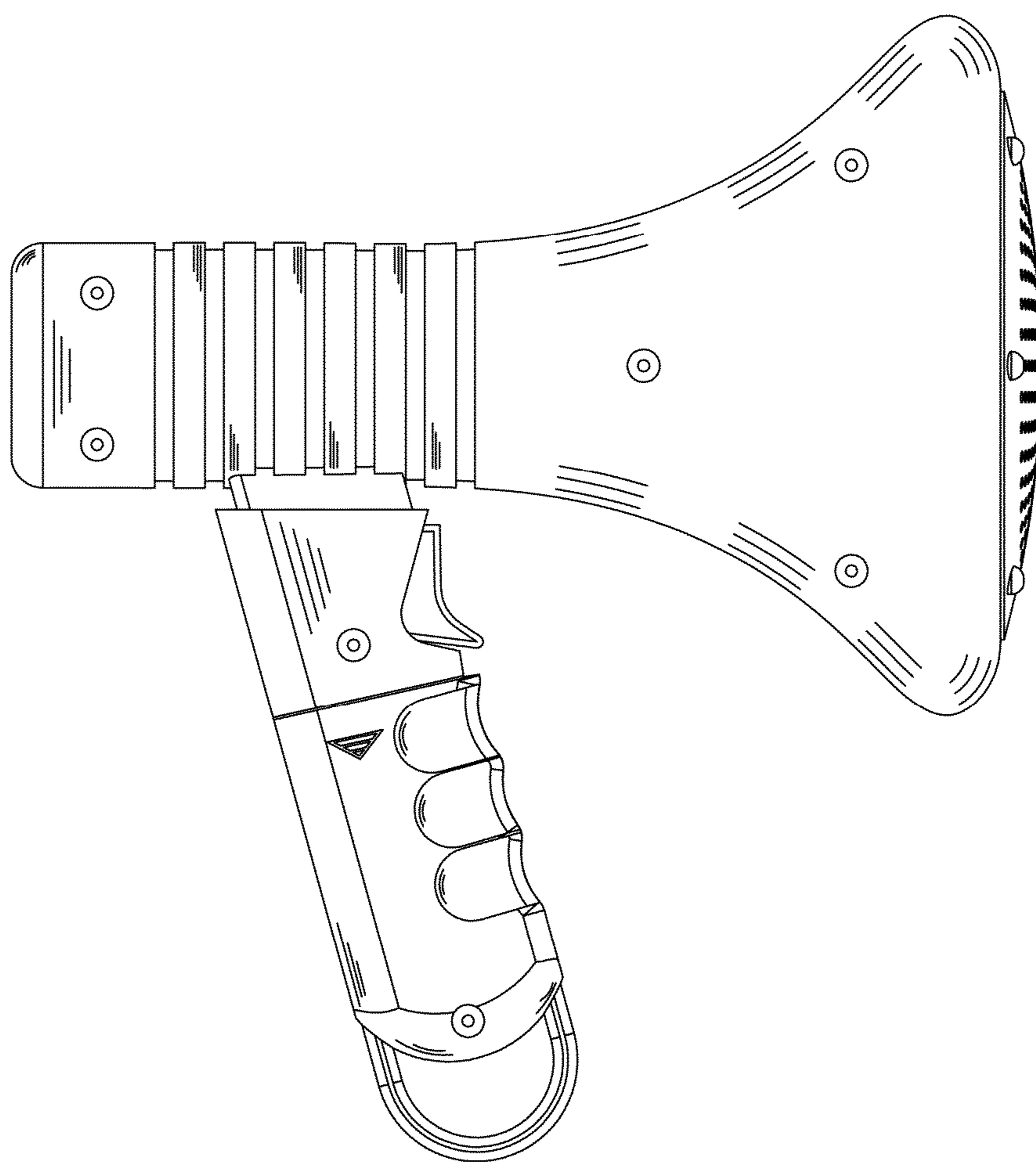


FIG. 3

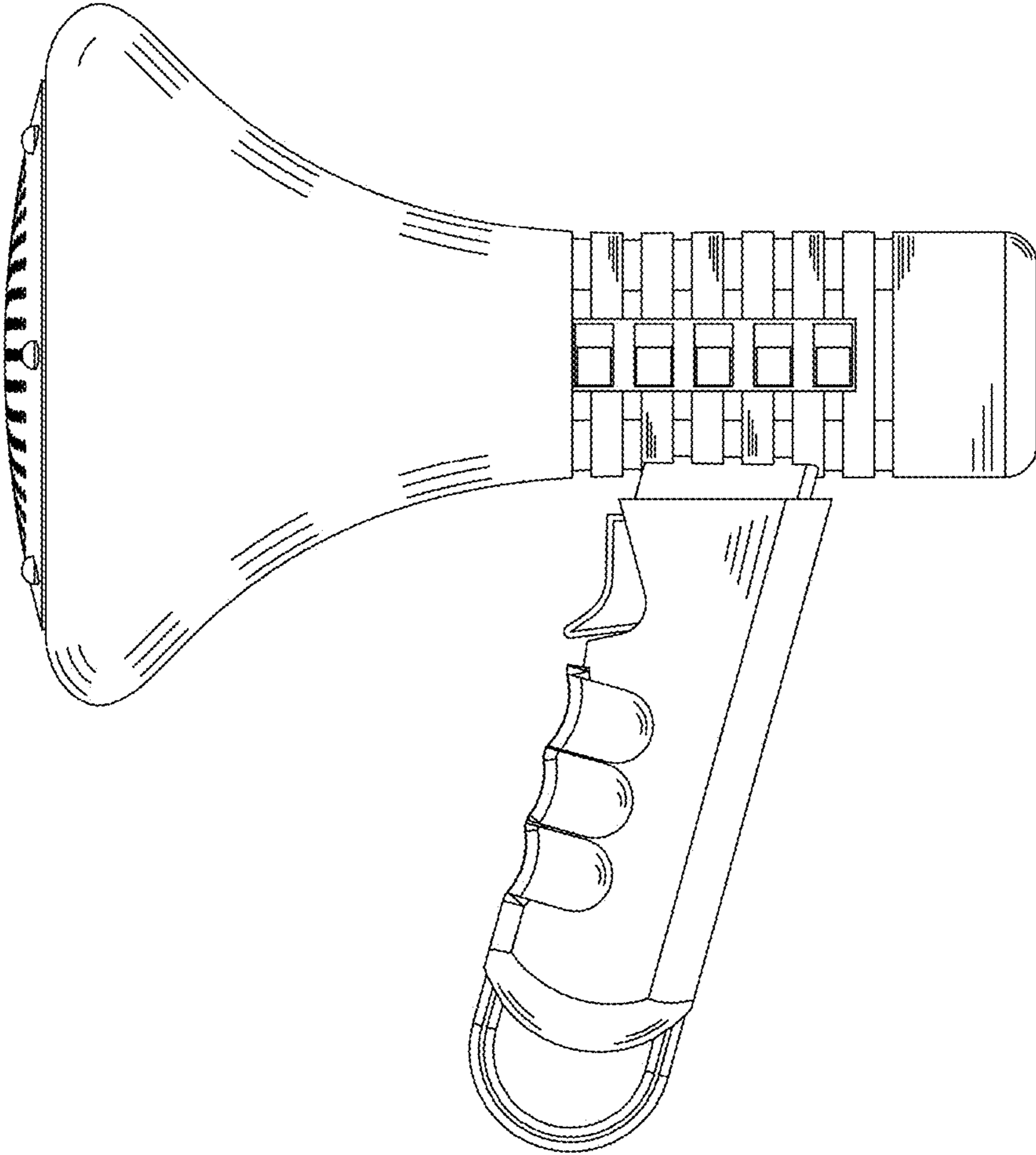


FIG. 4

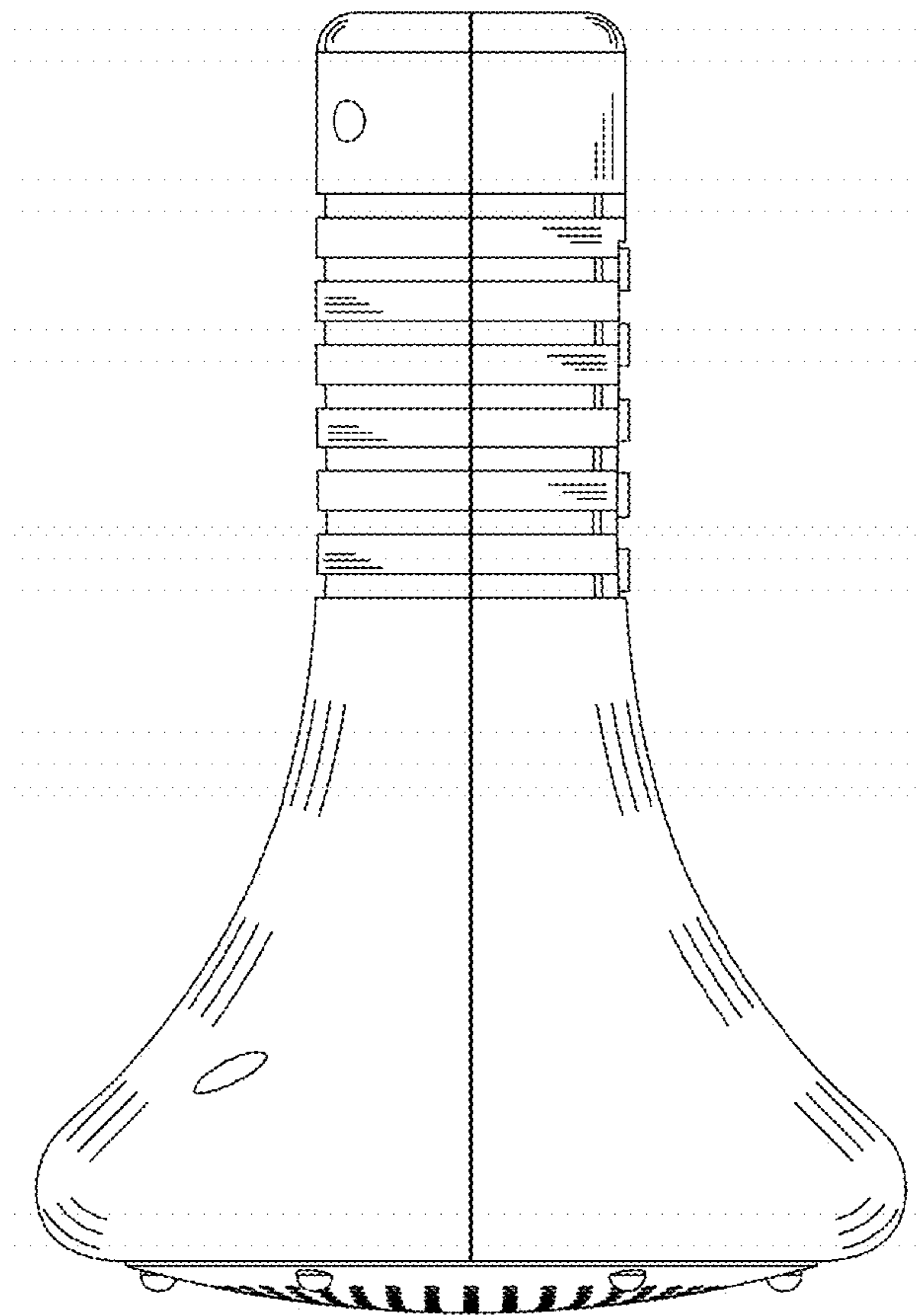


FIG. 5

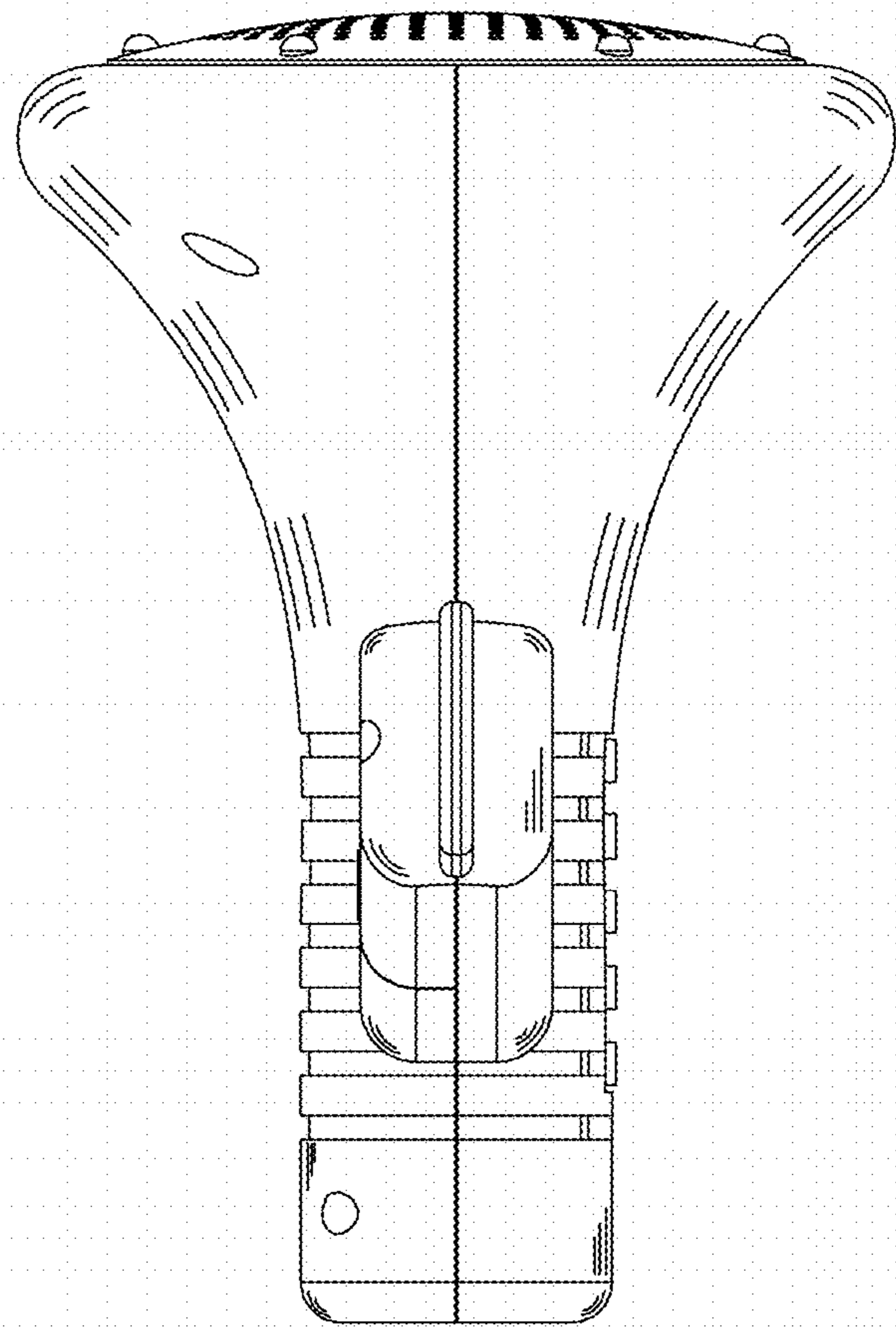


FIG. 6

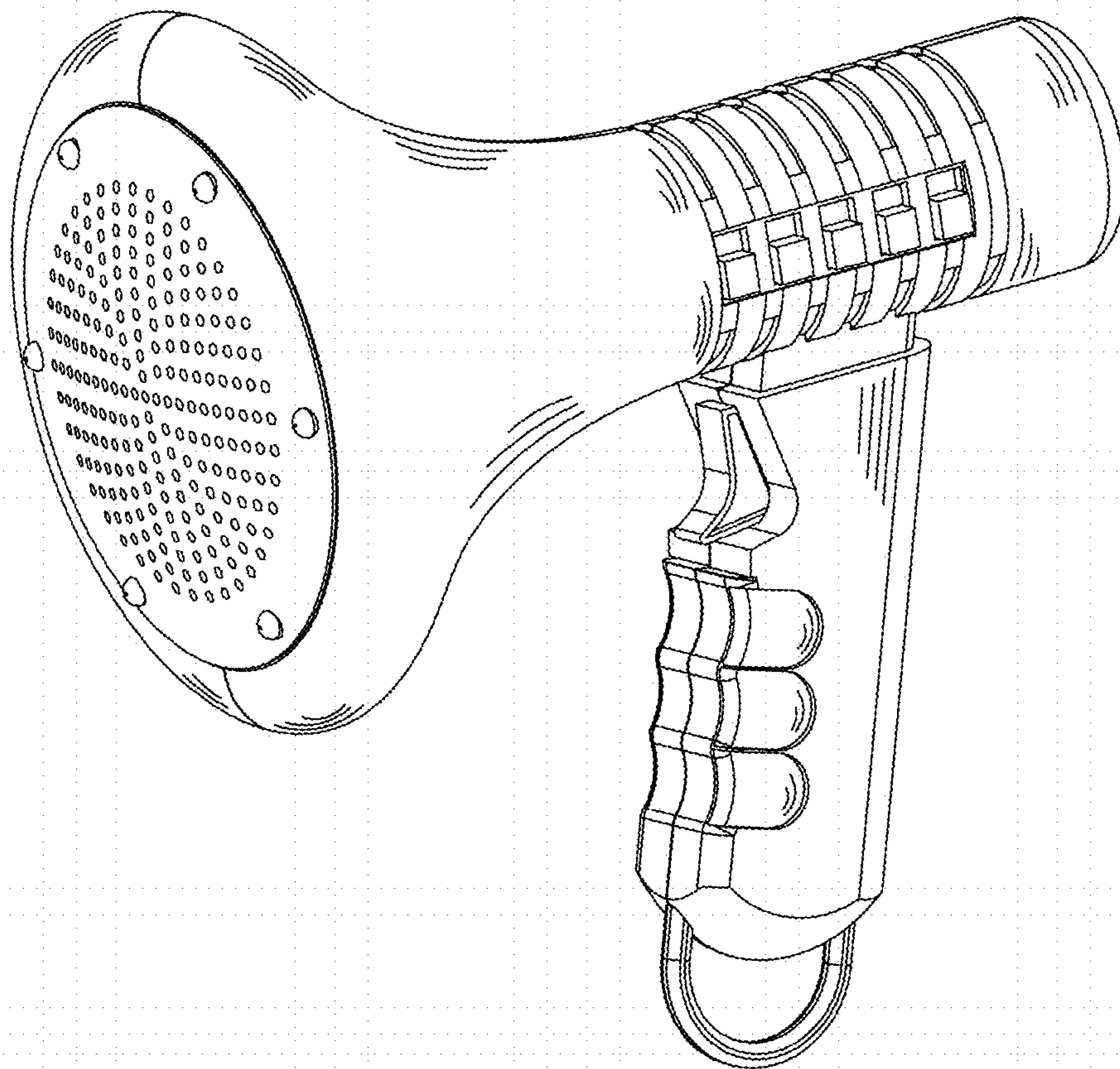


FIG. 7