



US00D680997S

(12) **United States Design Patent**
Kim et al.

(10) **Patent No.:** **US D680,997 S**
(45) **Date of Patent:** **** Apr. 30, 2013**

(54) **MOBILE PHONE**

(75) Inventors: **Chang-Hwan Kim**, Gimpo-si (KR);
Jong-Il Jeong, Seoul (KR)

(73) Assignee: **Samsung Electronics Co., Ltd.**,
Suwon-Si (KR)

(**) Term: **14 Years**

(21) Appl. No.: **29/428,313**

(22) Filed: **Jul. 30, 2012**

(30) **Foreign Application Priority Data**

May 15, 2012 (KR) 30-2012-0023691

(51) **LOC (9) Cl.** **14-03**

(52) **U.S. Cl.**
USPC **D14/138 AA**

(58) **Field of Classification Search** D14/138 G,
D14/138 AD, 341, 346, 138 R, 138 AA, 496,
D14/203.1, 203.4, 203.7, 248, 218; 455/575.1,
455/556.2, 575.3, 575.4; D21/517; 379/433.01,
379/433.04, 433.12, 433.13; D10/65, 78,
D10/104; D13/168

See application file for complete search history.

(56) **References Cited**

U.S. PATENT DOCUMENTS

D542,765 S * 5/2007 Cho et al. D14/138 AA
D543,182 S * 5/2007 Lee et al. D14/138 AA
D543,186 S * 5/2007 Kim et al. D14/138 AA
D546,316 S * 7/2007 Wu et al. D14/138 AA
D556,171 S * 11/2007 Lee et al. D14/138 AA
D563,931 S * 3/2008 Moon et al. D14/138 AA
D569,824 S * 5/2008 Cobb et al. D14/138 AA
D573,570 S * 7/2008 Park et al. D14/138 AA

D573,573 S * 7/2008 Jung et al. D14/138 AA
D576,993 S * 9/2008 Park et al. D14/138 AA
D610,112 S * 2/2010 Kim et al. D14/138 AA
D610,113 S * 2/2010 Park et al. D14/138 AA
D615,941 S * 5/2010 He D14/138 AA
D617,765 S * 6/2010 Liu D14/138 AA
7,747,006 B2 * 6/2010 Kim et al. 379/434

(Continued)

OTHER PUBLICATIONS

Samsung E2252 telephone, announced Jul. 2012, [online], [site visited Dec. 13, 2012]. Available from Internet, <URL: http://www.gsmarena.com/samsung_e2252-4870.php>.*

(Continued)

Primary Examiner — Jeffrey D Asch

(74) *Attorney, Agent, or Firm* — Staas & Halsey LLP

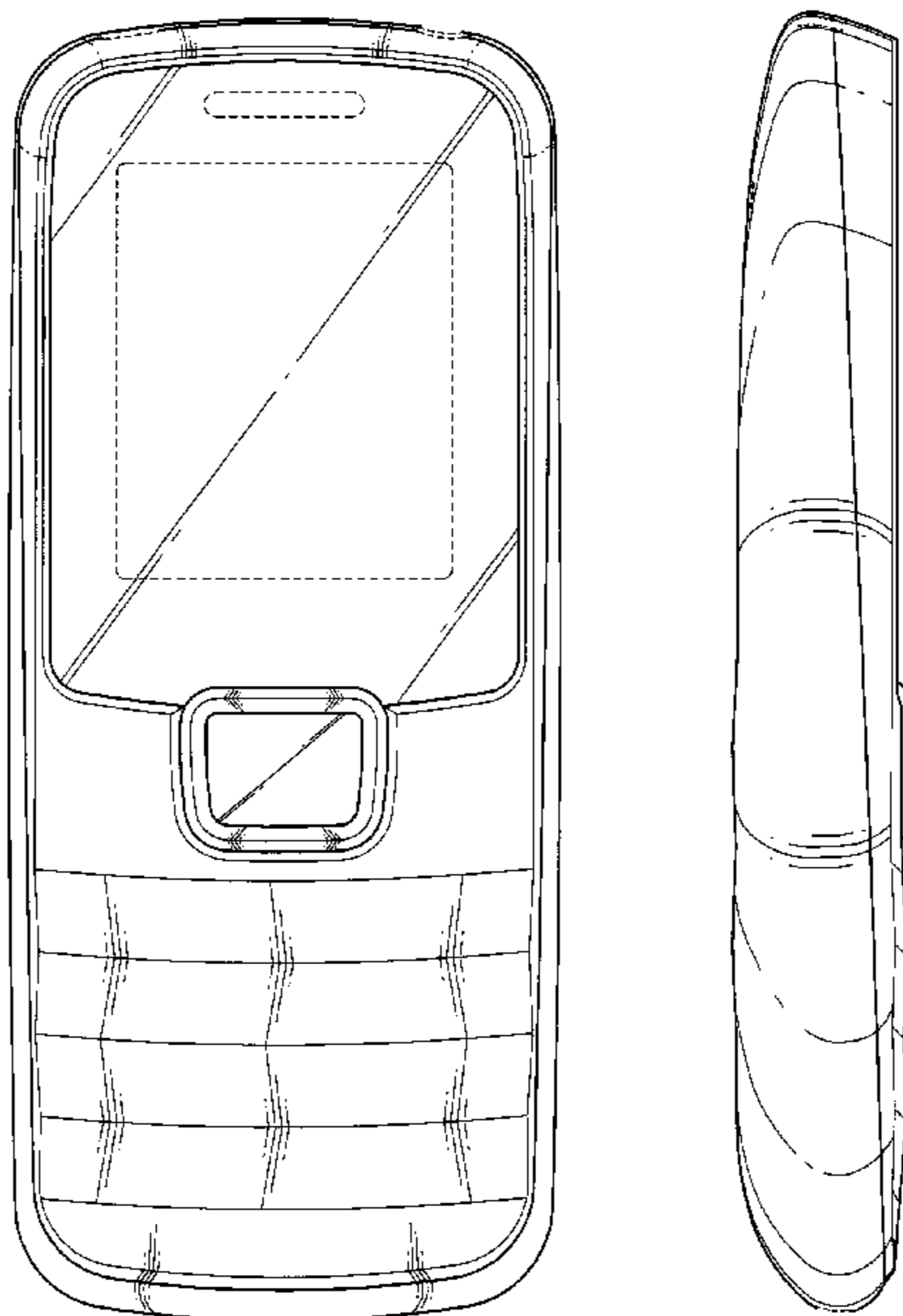
(57) **CLAIM**

The ornamental design for a mobile phone, as shown and described.

DESCRIPTION

FIG. 1 is a front perspective view of a mobile phone; FIG. 2 is a front view of the mobile phone of FIG. 1; FIG. 3 is a rear view of the mobile phone of FIG. 1; FIG. 4 is a left-side view of the mobile phone of FIG. 1; FIG. 5 is a right-side view of the mobile phone of FIG. 1; FIG. 6 is a top plan view of the mobile phone of FIG. 1; and, FIG. 7 is a bottom plan view of the mobile phone of FIG. 1. The broken lines shown in the figures that are immediately adjacent to the shaded areas and define unshaded regions, represent the bounds of the claim, while all other broken lines, including those beneath the transparent panel on the front, are directed to environment and are for illustrative purposes only; the broken lines form no part of the claimed design.

1 Claim, 7 Drawing Sheets



U.S. PATENT DOCUMENTS

D620,466	S	*	7/2010	Kim et al.	D14/138 AA
D630,609	S	*	1/2011	Yang	D14/138 AA
D639,265	S	*	6/2011	Kao	D14/138 AA
D640,226	S	*	6/2011	Park et al.	D14/138 AA
D641,335	S	*	7/2011	Lee et al.	D14/138 AA
D648,311	S	*	11/2011	Choi et al.	D14/138 AA
D652,011	S	*	1/2012	Baik et al.	D14/138 AA
D657,333	S	*	4/2012	Yun et al.	D14/138 AA
D661,279	S	*	6/2012	Youn	D14/138 AA
D663,282	S	*	7/2012	Sparks	D14/138 AA

OTHER PUBLICATIONS

Samsung E1230 telephone, announced Aug. 2011, [online], [site visited Dec. 13, 2012]. Available from Internet, <URL: http://www.gsmarena.com/samsung_e1230-4336.php>.*

Samsung E1210 telephone, announced Apr. 2009, [online], [site visited Dec. 13, 2012]. Available from Internet, <URL: http://www.gsmarena.com/samsung_e1210-2783.php>.*

Nokia 100 telephone, announced Aug. 2011, [online], [site visited Dec. 13, 2012]. Available from Internet, <URL: http://www.gsmarena.com/nokia_100-4120.php>.*

Samsung C3530 telephone, announced Nov. 2010, [online], [site visited Dec. 13, 2012]. Available from Internet, <URL: http://www.gsmarena.com/samsung_c3530-3668.php>.*

Samsung L170 telephone, announced Jan. 2008, [online], [site visited Dec. 13, 2012]. Available from Internet, <URL: http://www.gsmarena.com/samsung_l170-2219.php>.*

LG GB190 telephone, announced Oct. 2009, [online], [site visited Dec. 13, 2012]. Available from Internet, <URL: http://www.gsmarena.com/Ig_gb190-2976.php>.*

Spice M-4242 telephone, announced 2010, [online], [site visited Dec. 13, 2012]. Available from Internet, <URL: http://www.gsmarena.com/spice_m_4242-3655.php>.*

* cited by examiner

FIG. 1

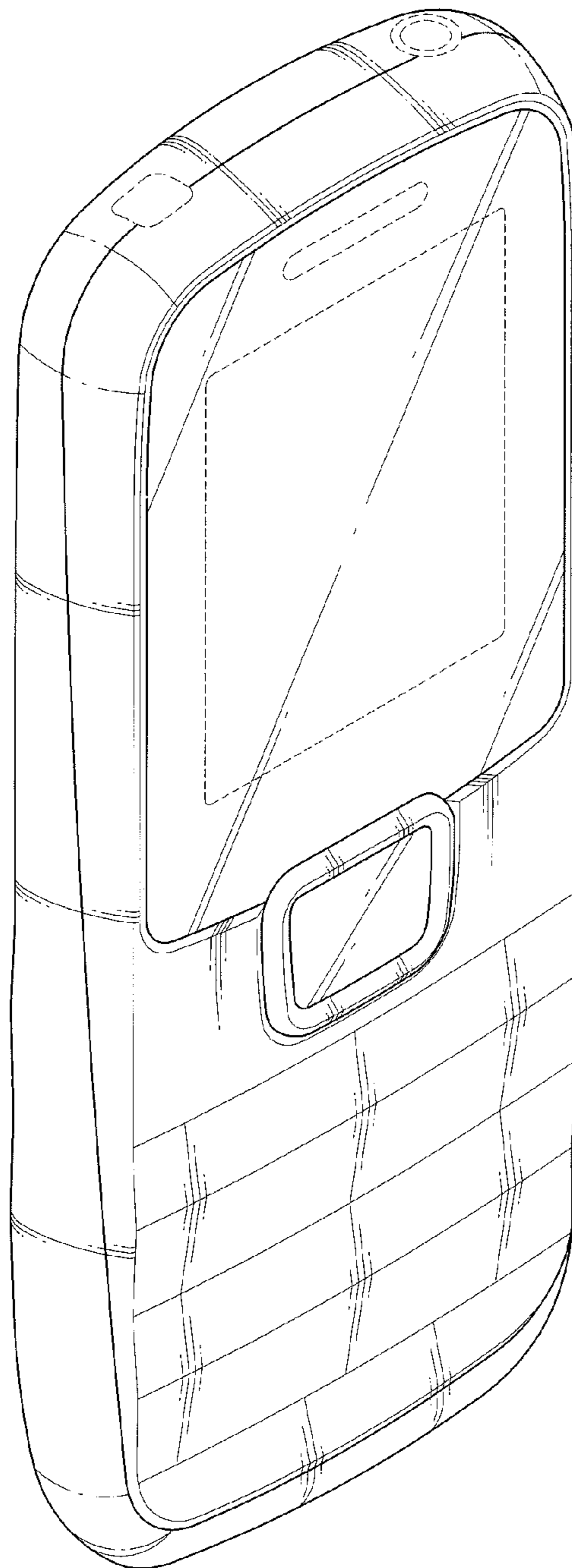


FIG. 2

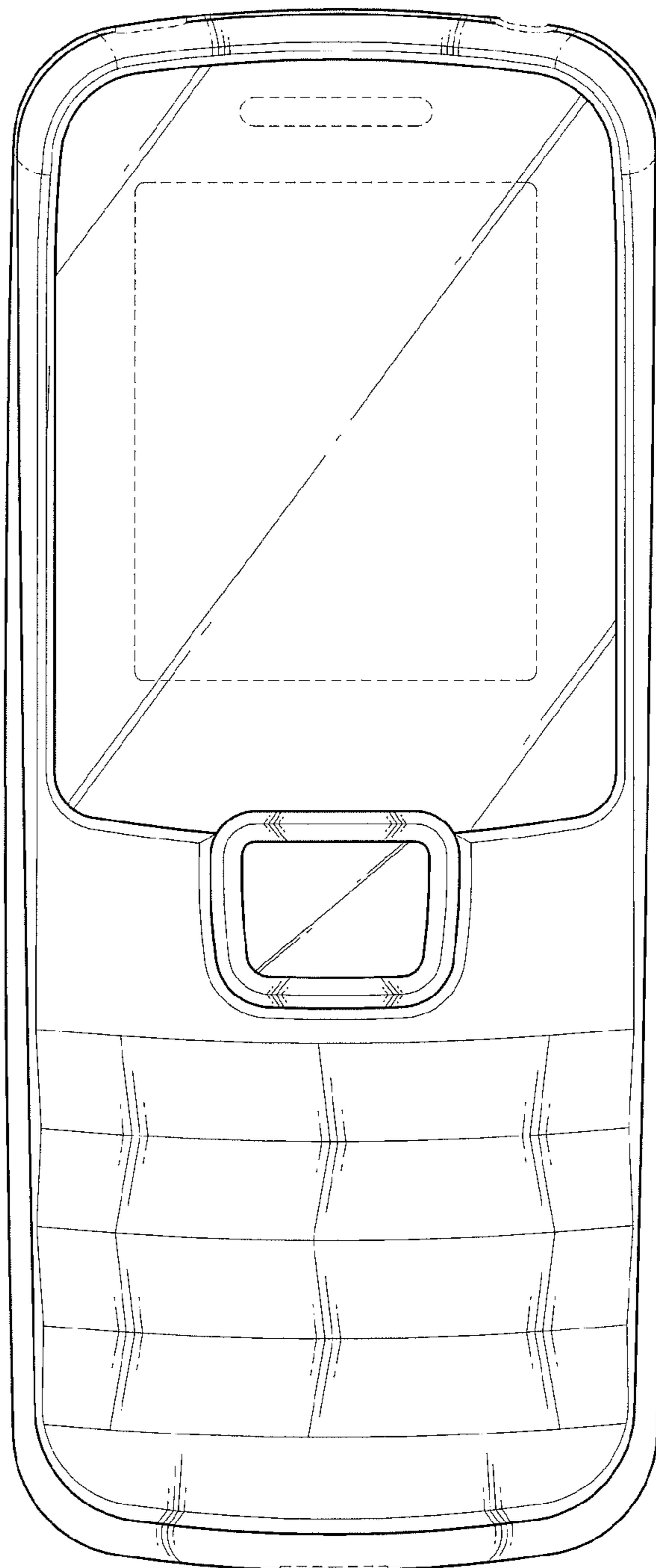


FIG. 3

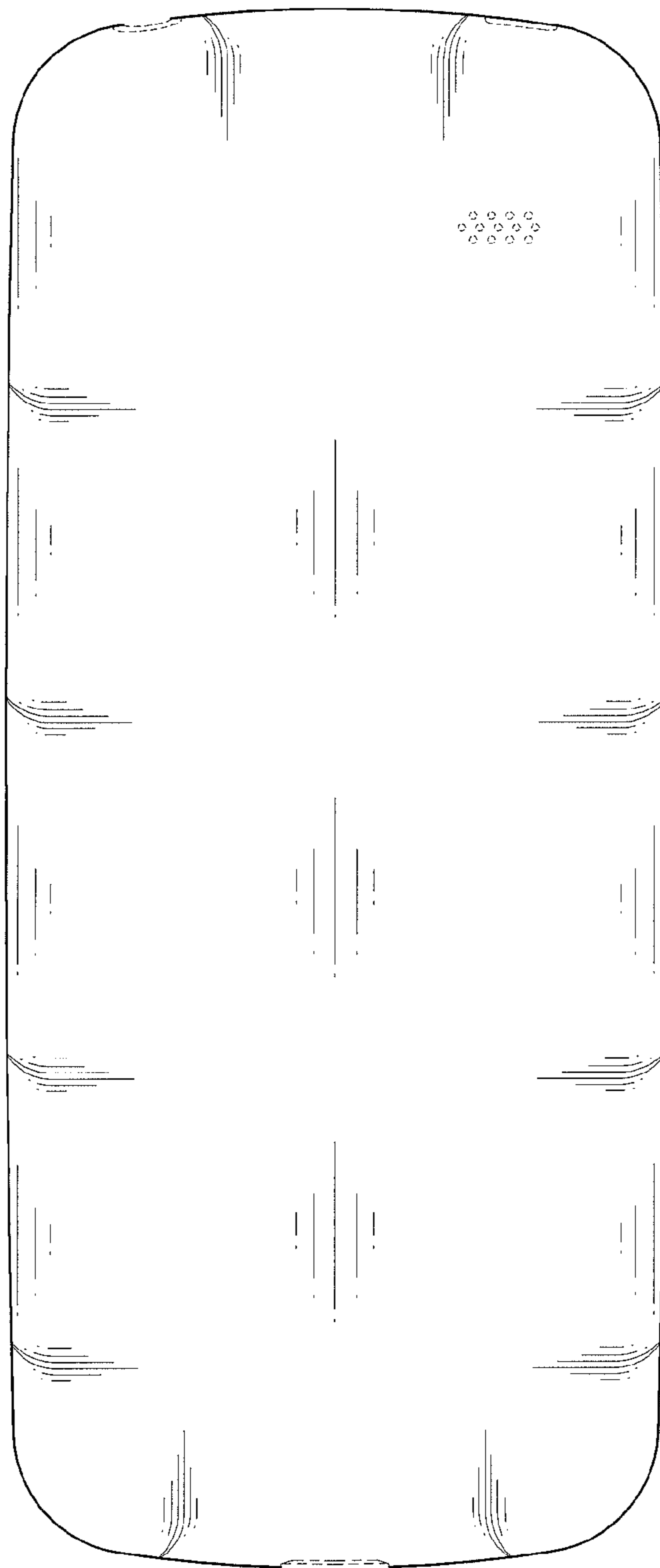


FIG. 4

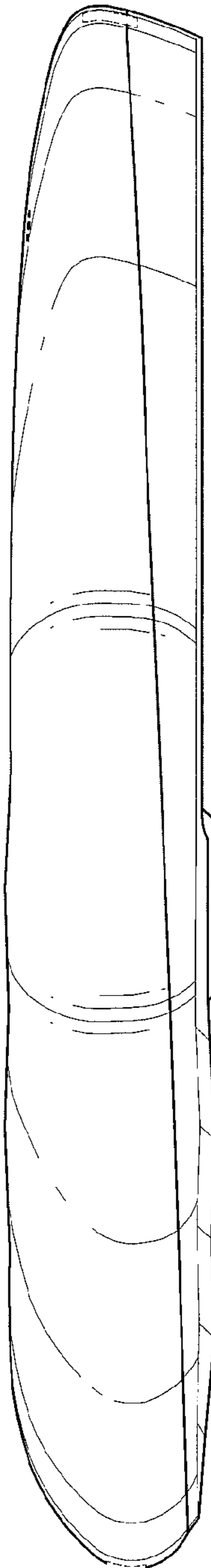


FIG. 5

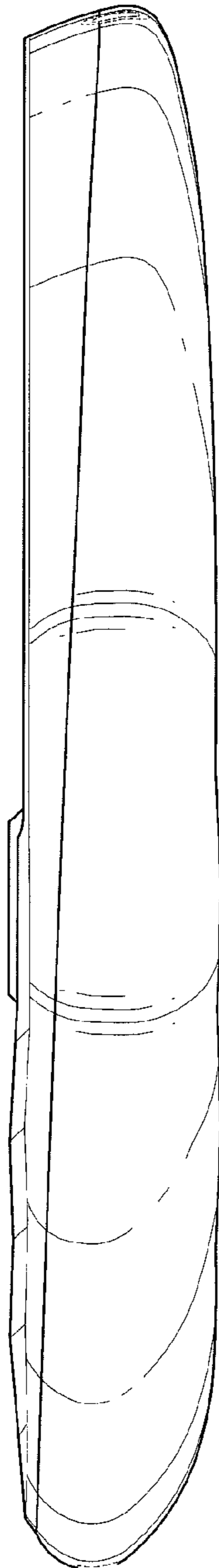


FIG. 6

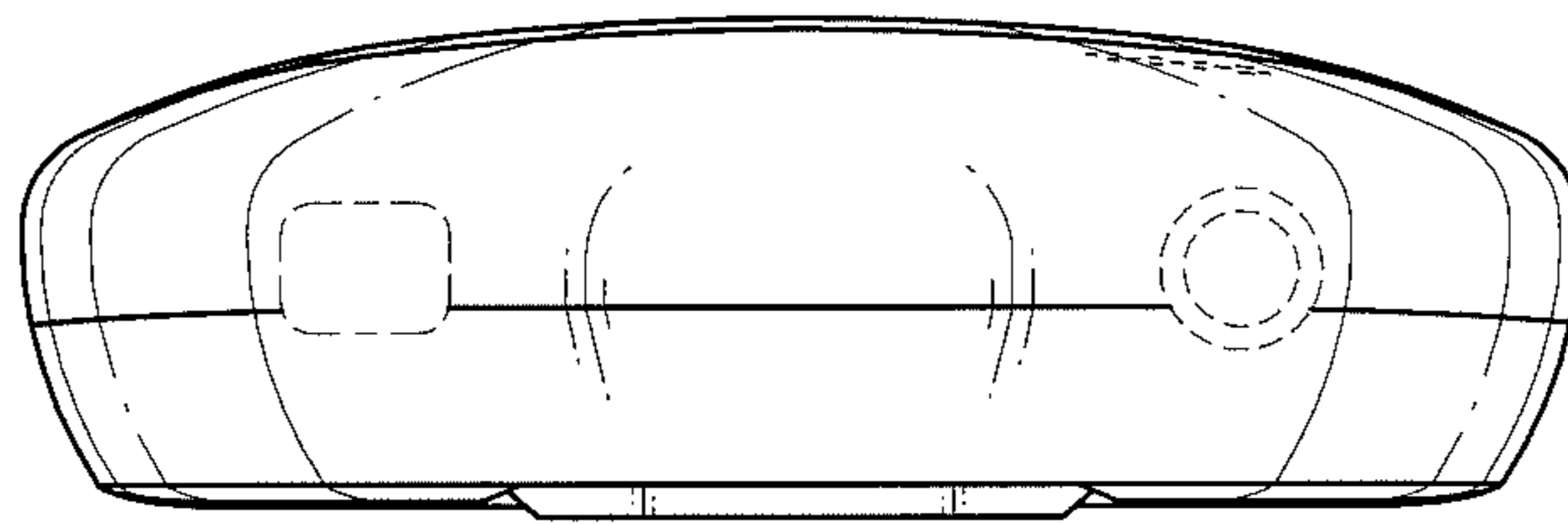


FIG. 7

