



US00D680981S

(12) **United States Design Patent**  
**Kim et al.**

(10) **Patent No.:** **US D680,981 S**  
(45) **Date of Patent:** **\*\* Apr. 30, 2013**

(54) **TELEVISION RECEIVER**

(75) Inventors: **Yooseok Kim**, Seoul (KR); **Woosuk Park**, Jeonbuk (KR); **Hyunhee You**, Gyeonggi-do (KR)

(73) Assignee: **LG Electronics Inc.**, Seoul (KR)

(\*\*) Term: **14 Years**

(21) Appl. No.: **29/429,657**

(22) Filed: **Aug. 15, 2012**

(30) **Foreign Application Priority Data**

Feb. 16, 2012 (KR) ..... 30-2012-0007094

(51) **LOC (9) Cl.** ..... **14-03**

(52) **U.S. Cl.**  
USPC ..... **D14/126**

(58) **Field of Classification Search** ..... D14/125-134,  
D14/239, 371, 136, 374-377, 440, 450, 448,  
D14/336, 342, 159; 312/7.2; 248/917-924,  
248/465; 345/104, 133, 156, 168, 87, 173;  
720/605, 669, 600, 655; 369/99, 197; 455/344,  
455/347; D21/329, 515, 577, 622, 333, 433,  
D21/448, 452, 450, 331; D6/477, 479, 300;  
273/148 B; 446/484, 175, 356; D10/15,  
D10/26

See application file for complete search history.

(56) **References Cited**

U.S. PATENT DOCUMENTS

D626,924 S \* 11/2010 Miyaji ..... D14/126  
D661,269 S \* 6/2012 Lee et al. .... D14/126  
D661,272 S \* 6/2012 Kim et al. .... D14/126  
D671,513 S \* 11/2012 Jang et al. .... D14/126

\* cited by examiner

*Primary Examiner* — Raphael Barkai

(74) *Attorney, Agent, or Firm* — Morgan, Lewis & Bockius LLP

(57) **CLAIM**

The ornamental design for a television receiver, as shown and described.

**DESCRIPTION**

FIG. 1 is a perspective view of a television receiver showing our new design;

FIG. 2 is a front view thereof;

FIG. 3 is a rear view thereof;

FIG. 4 is a left side view thereof where the right side view is a mirror image;

FIG. 5 is a top plan view thereof; and,

FIG. 6 is a bottom plan view thereof.

**1 Claim, 5 Drawing Sheets**

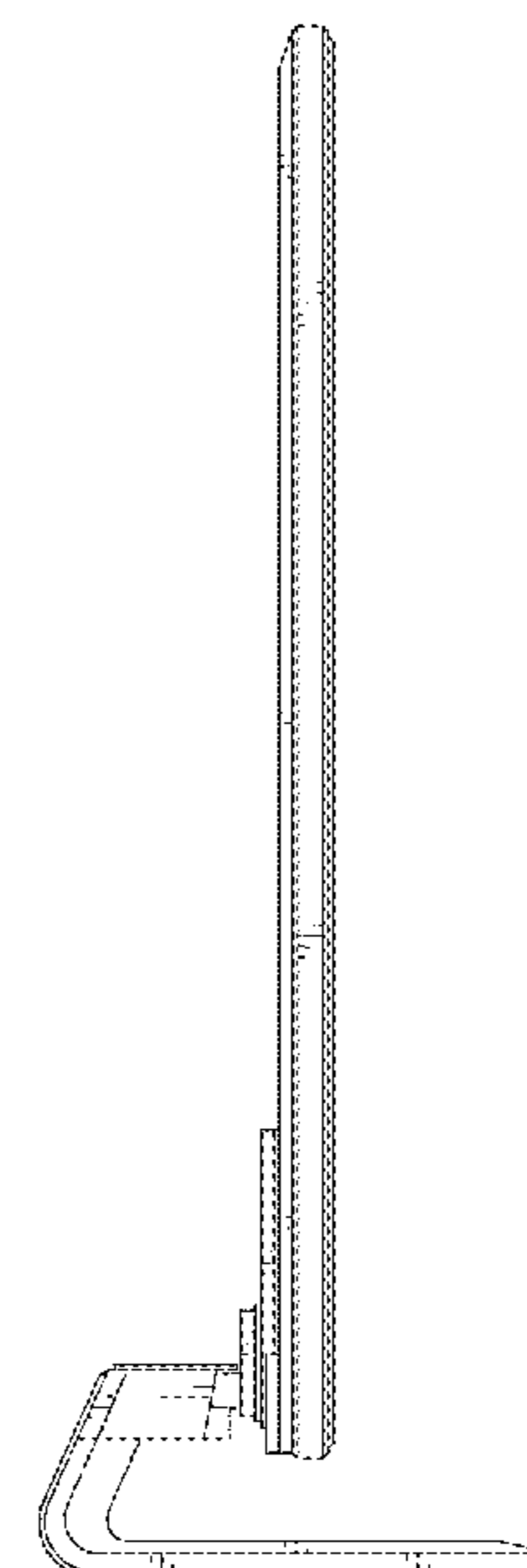
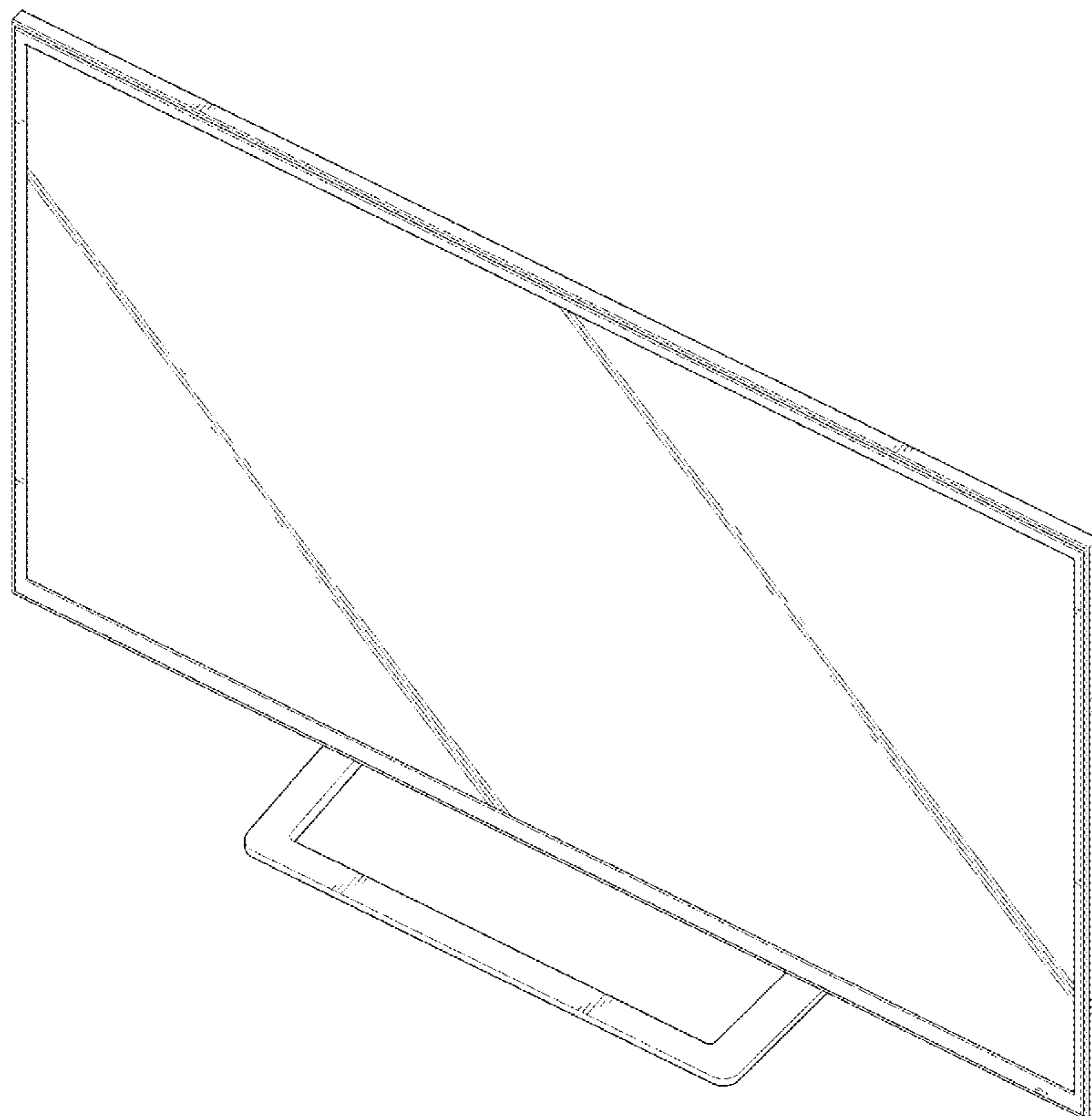


FIG. 1

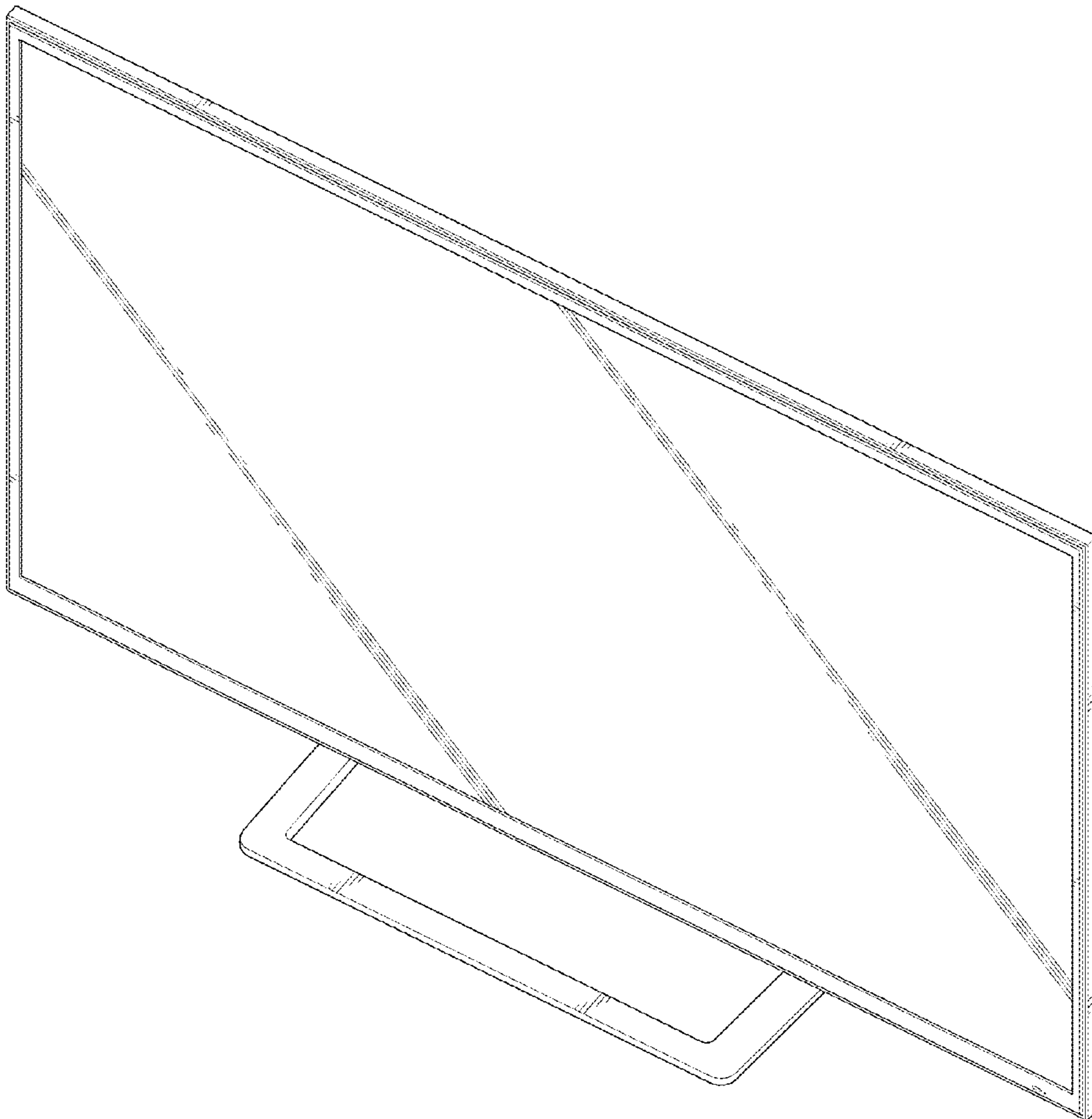


FIG. 2

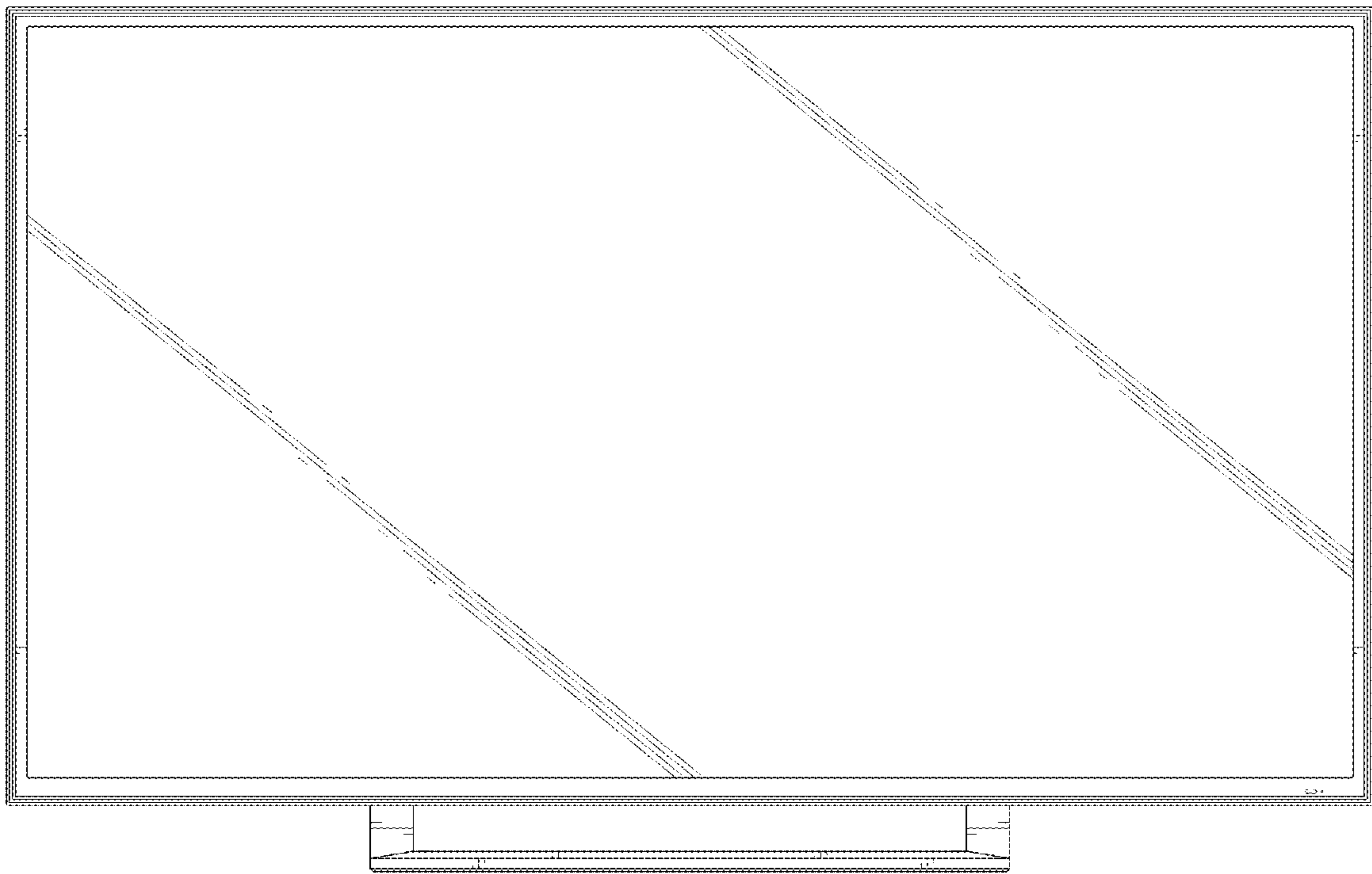


FIG. 3

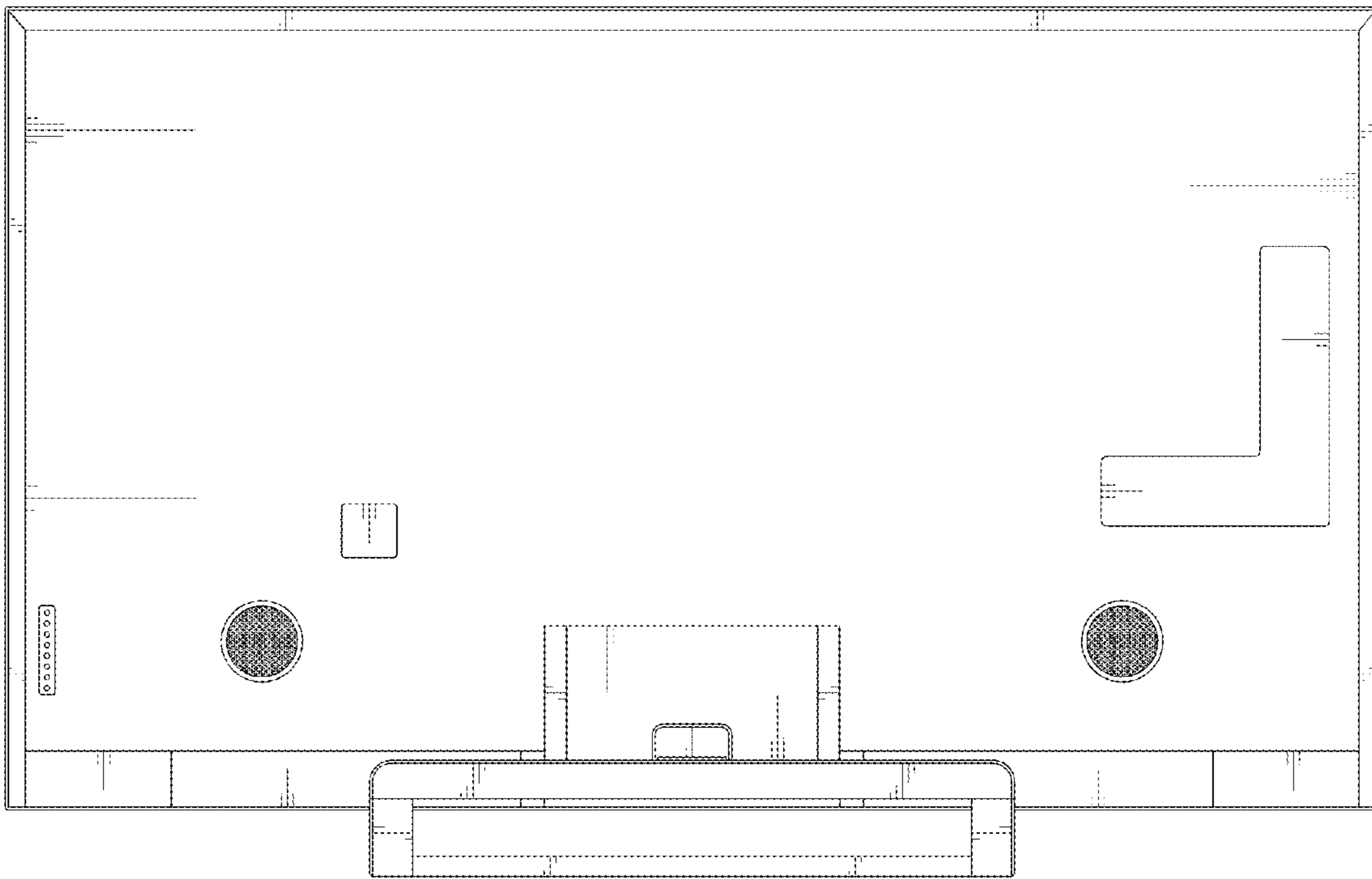


FIG. 4

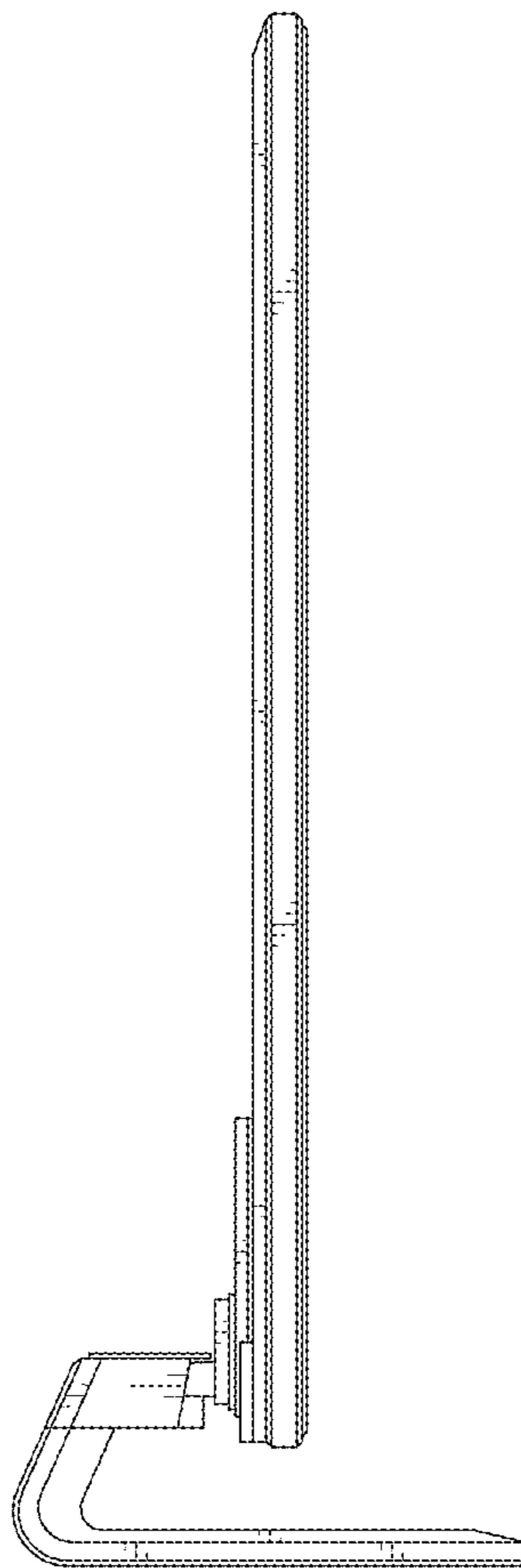


FIG. 5

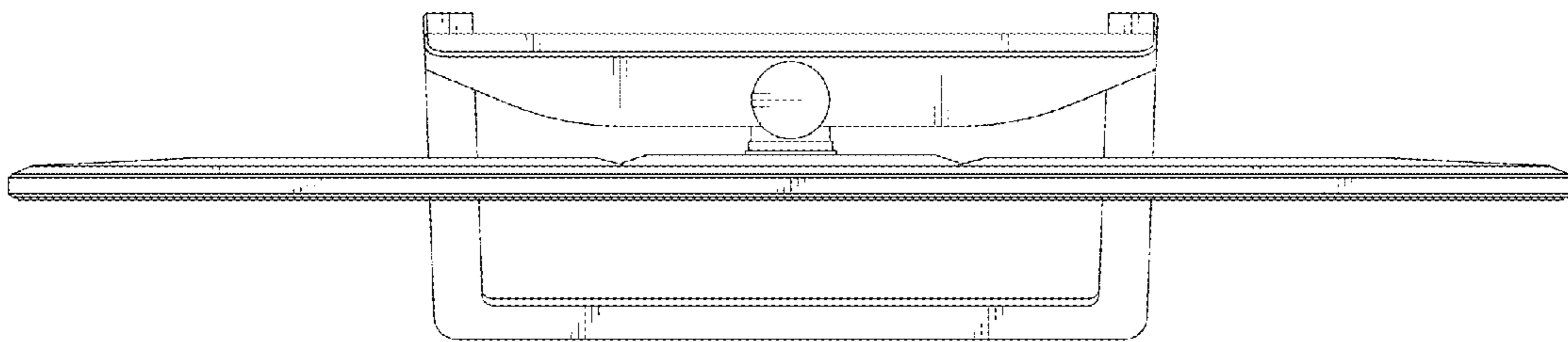


FIG. 6

