



US00D680980S

(12) **United States Design Patent**
Park

(10) **Patent No.:** **US D680,980 S**

(45) **Date of Patent:** **** Apr. 30, 2013**

(54) **TV RECEIVER**

(75) **Inventor:** **Hae-Sung Park**, Seoul (KR)

(73) **Assignee:** **Samsung Electronics Co., Ltd.**,
Suwon-si, Gyeonggi-do (KR)

(**) **Term:** **14 Years**

(21) **Appl. No.:** **29/426,392**

(22) **Filed:** **Jul. 5, 2012**

(30) **Foreign Application Priority Data**

Jan. 19, 2012 (KR) 30-2012-0002997

(51) **LOC (9) Cl.** **14-03**

(52) **U.S. Cl.**
USPC **D14/126**

(58) **Field of Classification Search** D14/125-134,
D14/239, 371, 136, 374-377, 440, 450, 448,
D14/336, 342, 159; 312/7.2; 348/836, 838,
348/180, 184, 325, 739; 341/12; 248/917-924,
248/465; 345/104, 133, 156, 168, 87, 173;
720/605, 669, 600, 655; 369/99, 197; D21/329,
D21/515, 577, 622, 333, 433, 448, 452, 450,
D21/331; D6/477, 479, 300; 273/148 B;
446/484, 175, 356; D10/15, 26

See application file for complete search history.

(56) **References Cited**

U.S. PATENT DOCUMENTS

D529,005	S	*	9/2006	Hong	D14/126
D535,630	S	*	1/2007	Yokota	D14/126
D539,245	S	*	3/2007	Bischoff	D14/126
D564,993	S	*	3/2008	Lee	D14/126
D597,976	S	*	8/2009	Gredler et al.	D14/126
D597,977	S	*	8/2009	Won et al.	D14/126
D655,266	S	*	3/2012	Kim	D14/126

* cited by examiner

Primary Examiner — Raphael Barkai

(74) *Attorney, Agent, or Firm* — Flynn, Thiel, Boutell & Tanis, P.C.

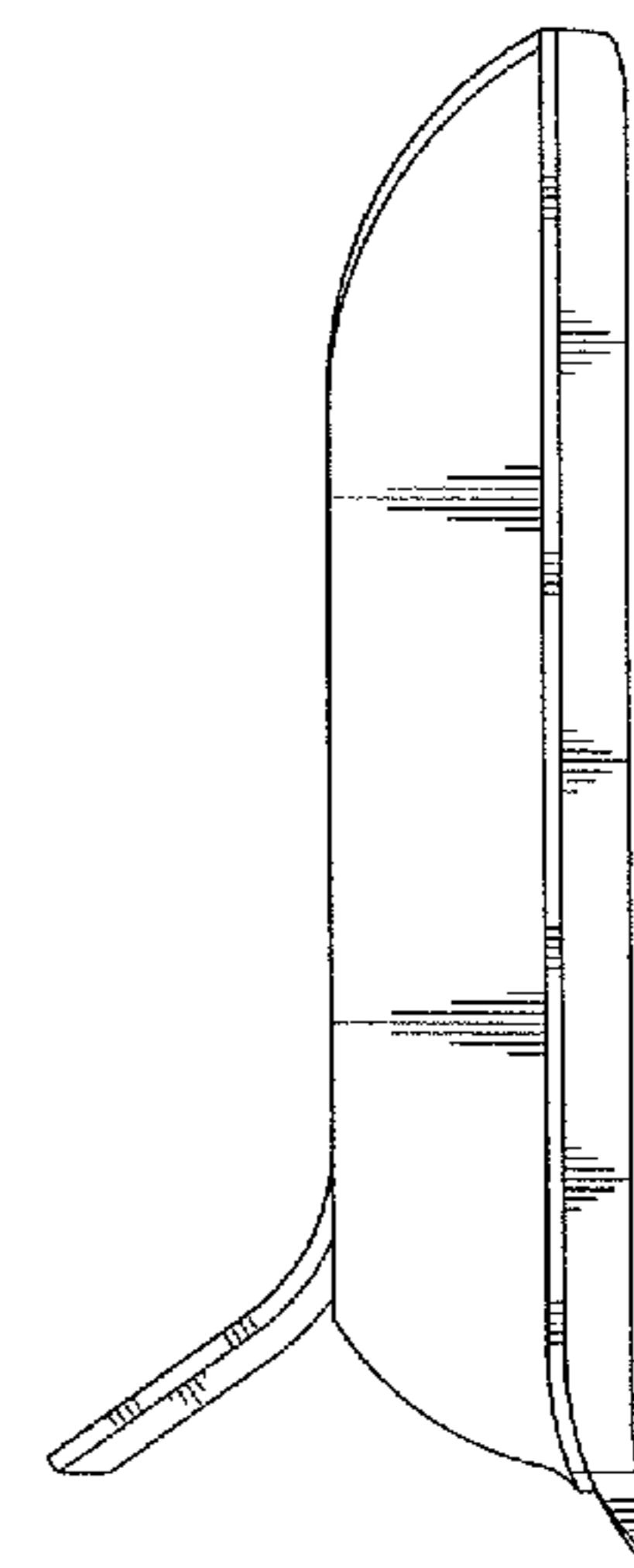
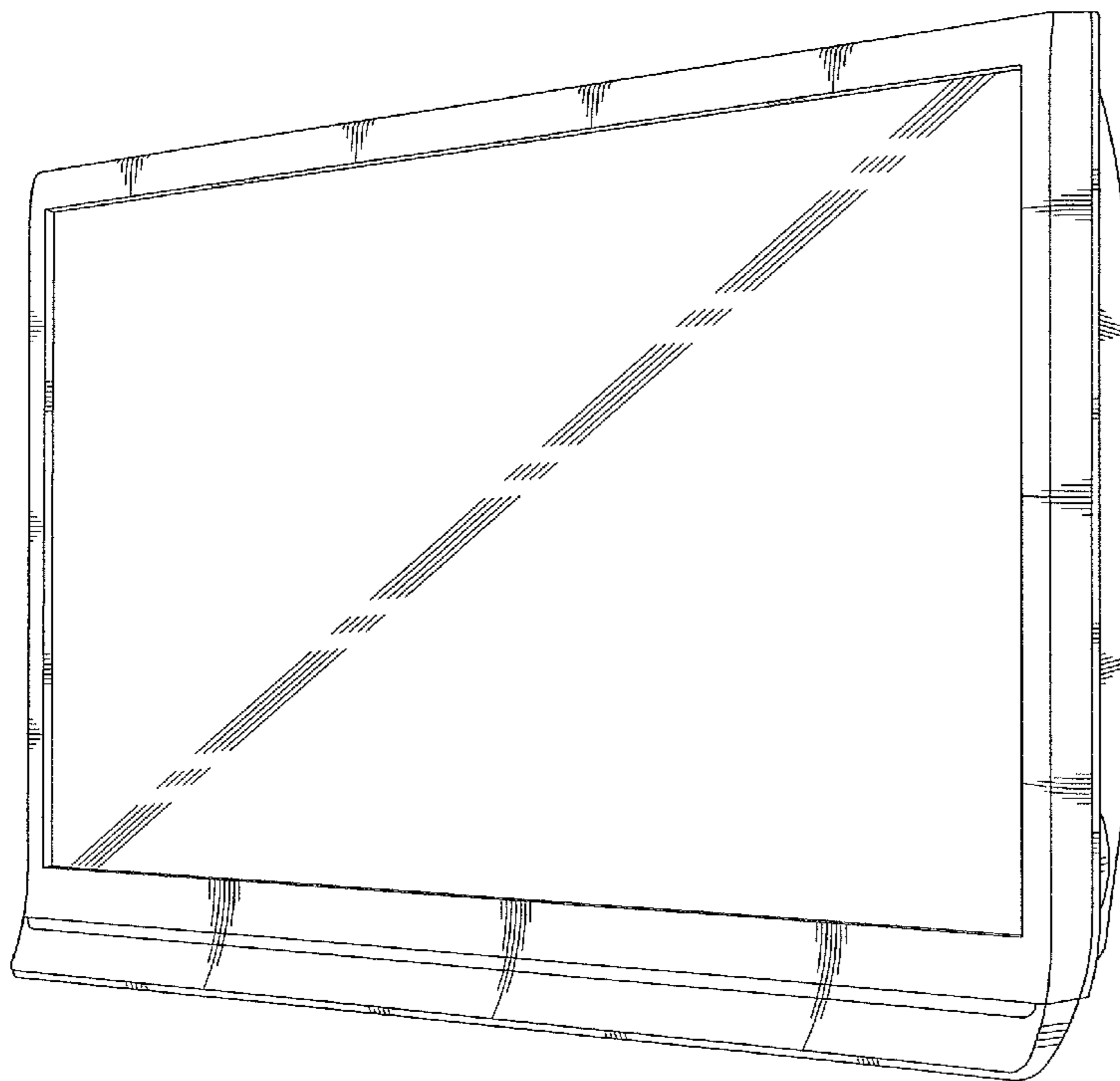
(57) **CLAIM**

The ornamental design for a TV receiver, as shown and described.

DESCRIPTION

FIG. 1 is a top front perspective view of a TV receiver showing my new design;
FIG. 2 is a front elevational view thereof;
FIG. 3 is a rear elevational view thereof;
FIG. 4 is a left side elevational view thereof;
FIG. 5 is a right side elevational view thereof;
FIG. 6 is a top plan view thereof; and,
FIG. 7 is a bottom plan view thereof.

1 Claim, 4 Drawing Sheets



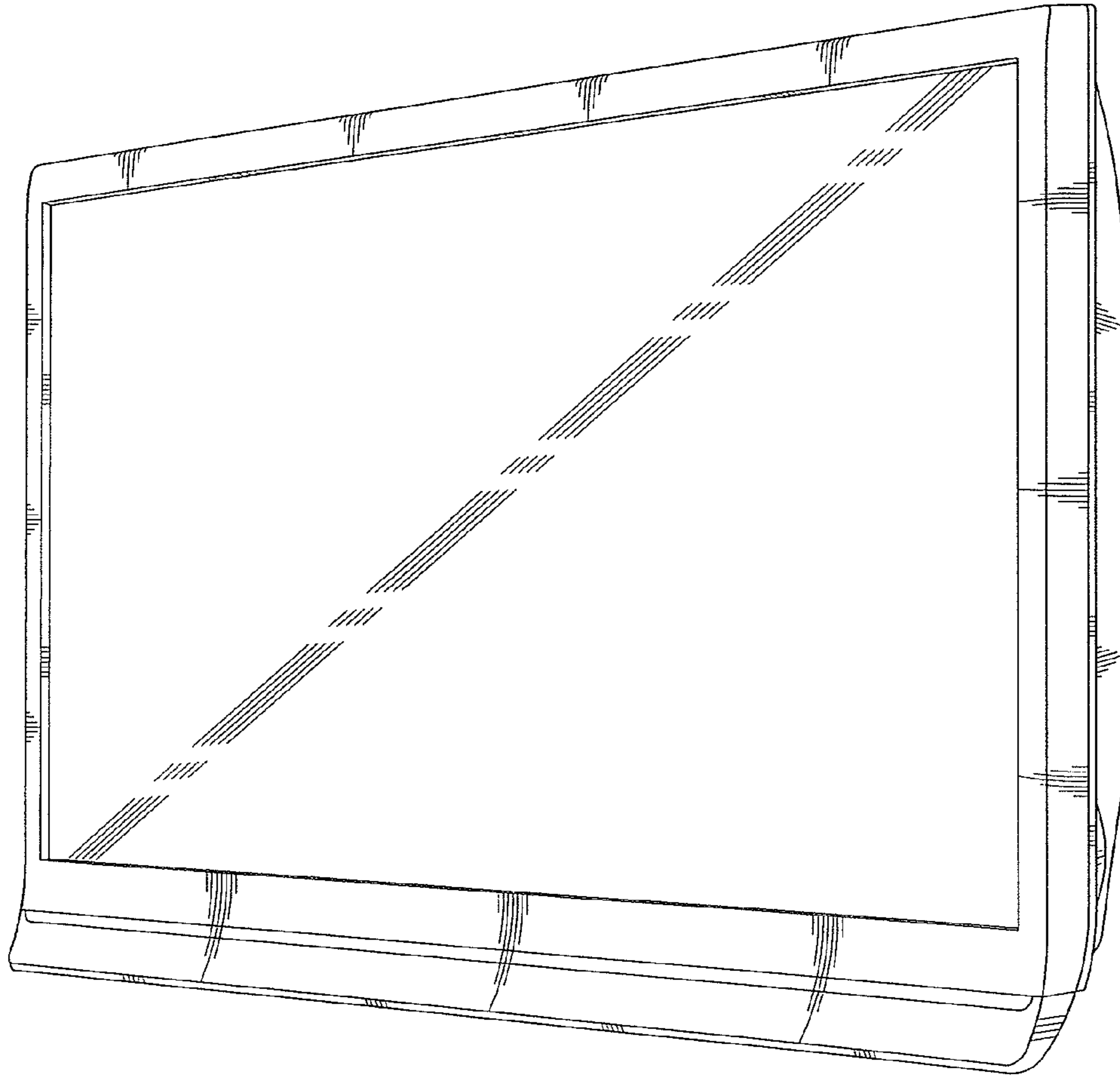


FIG.1

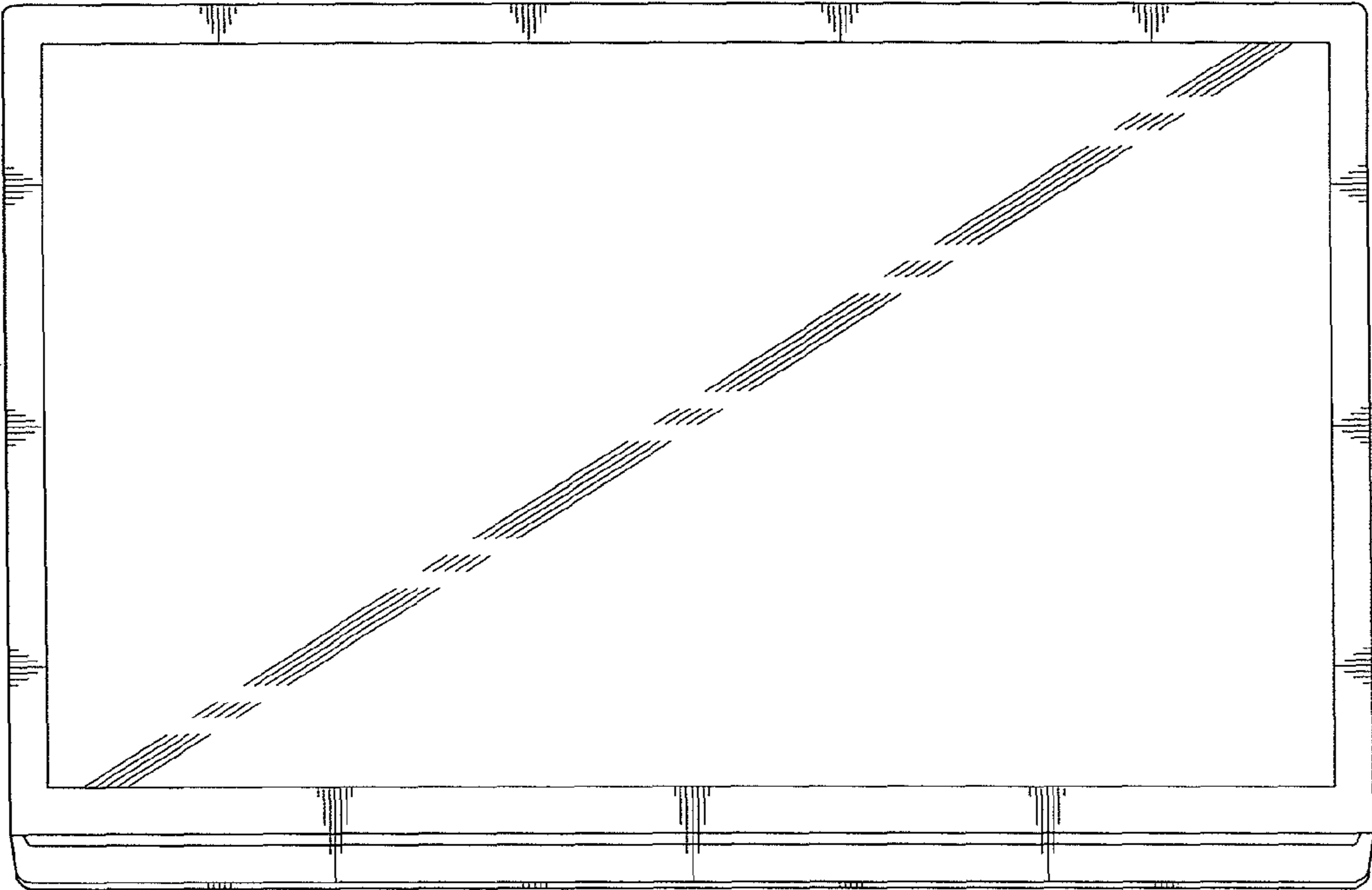


FIG. 2

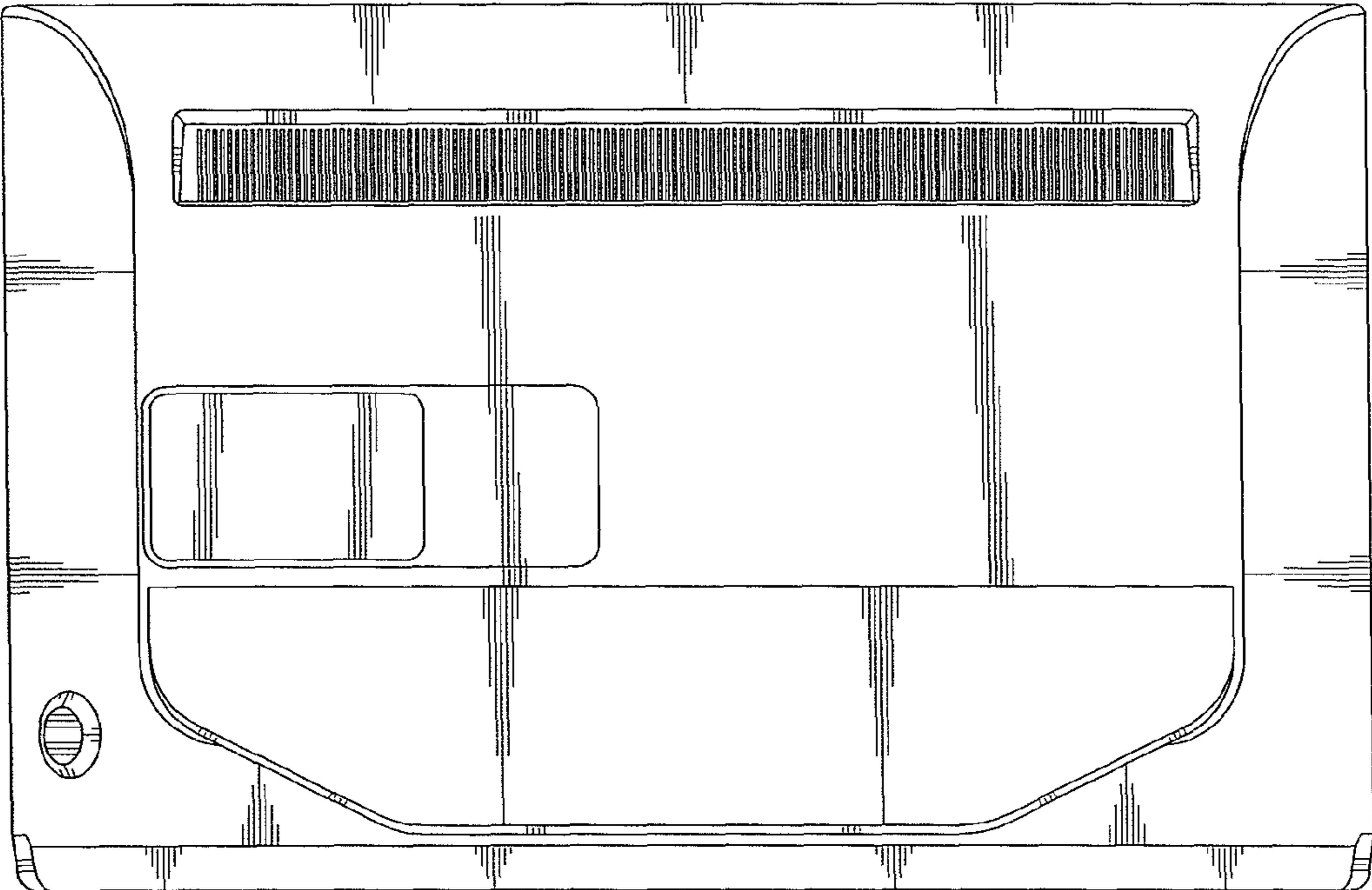


FIG. 3

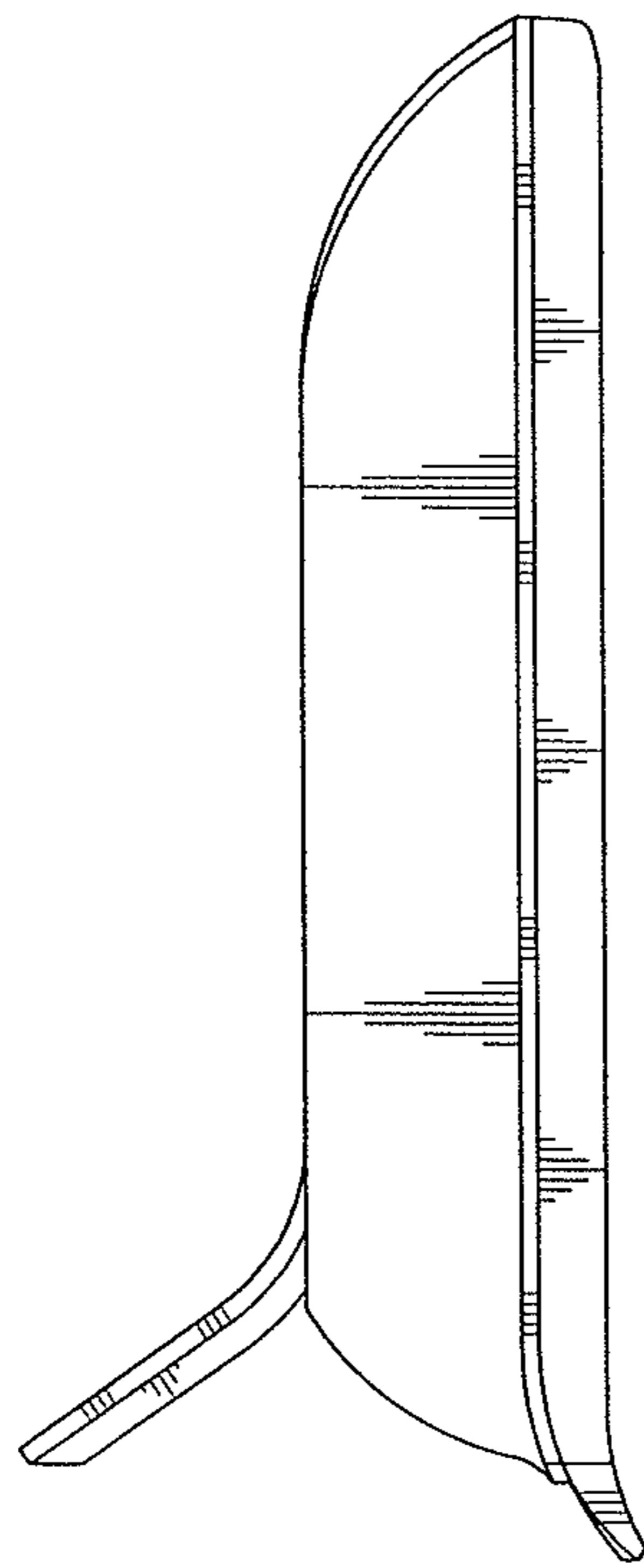


FIG. 4

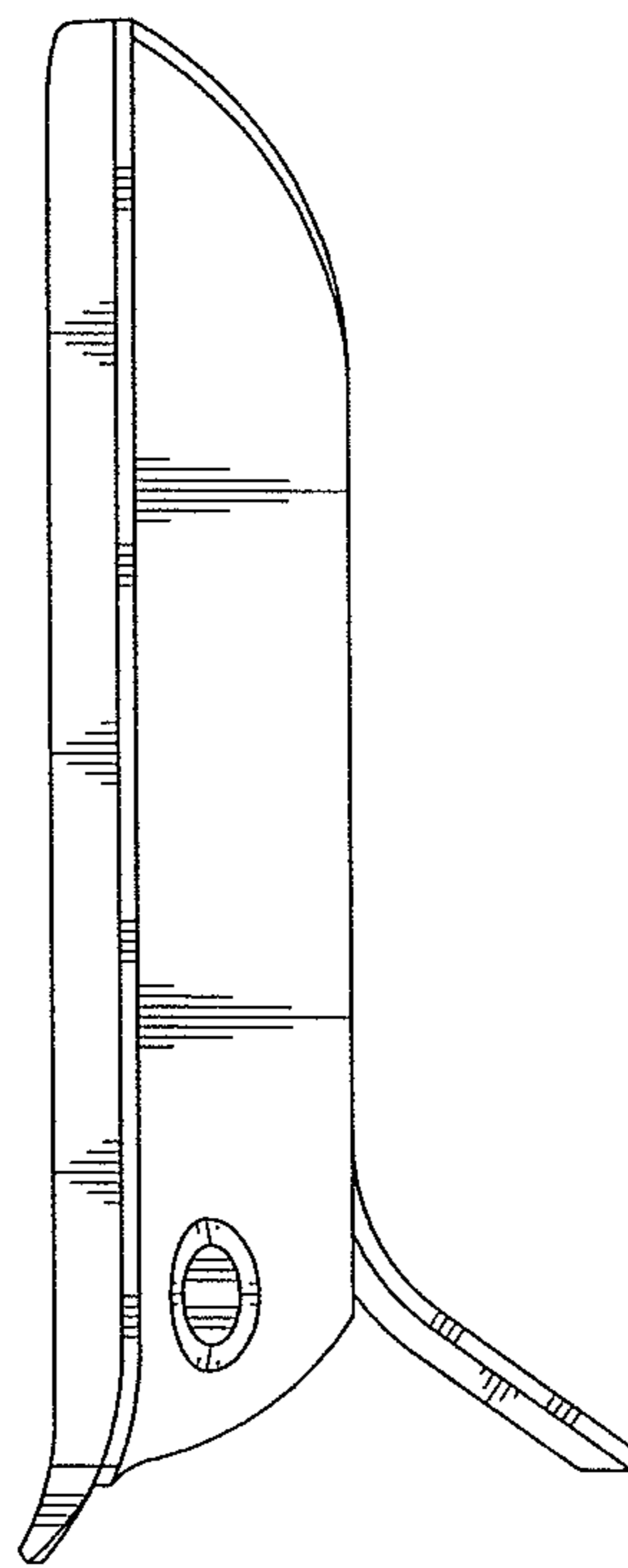


FIG. 5

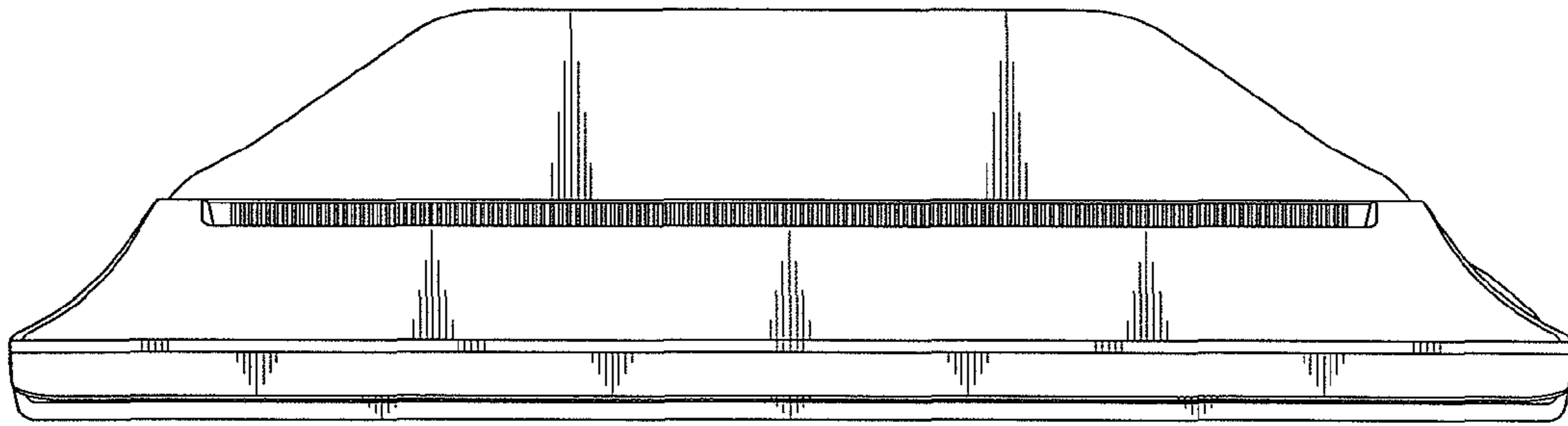


FIG. 6

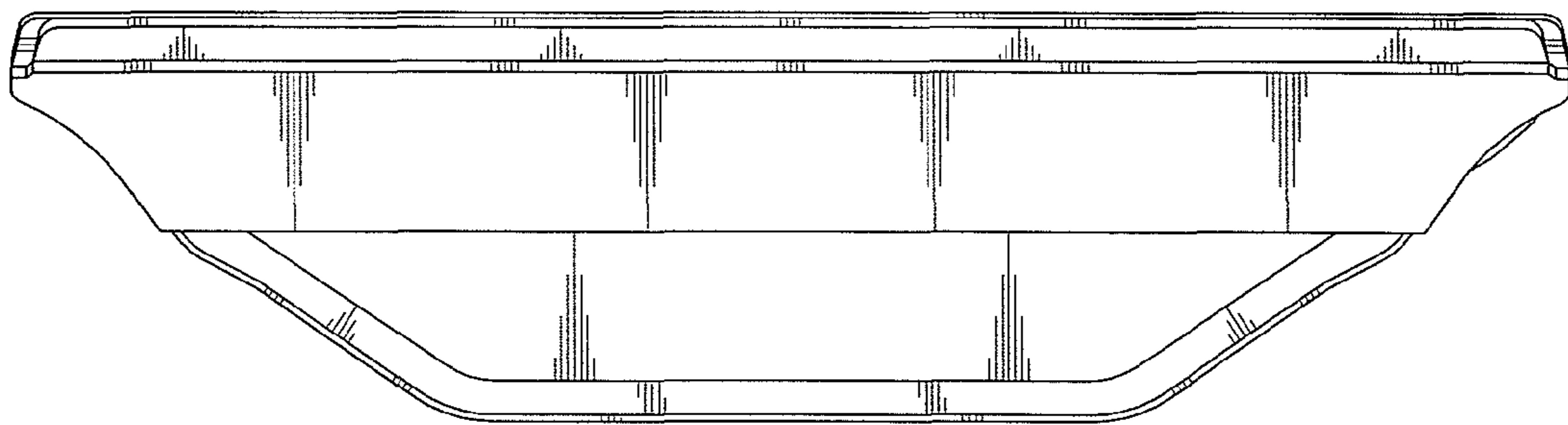


FIG. 7