



US00D680979S

(12) **United States Design Patent**
Chen

(10) **Patent No.:** **US D680,979 S**

(45) **Date of Patent:** **** Apr. 30, 2013**

(54) **DISPLAY**

(75) Inventor: **Yi-Cheng Chen**, New Taipei (TW)

(73) Assignee: **Hannspre, Inc.**, New Taipei (TW)

(**) Term: **14 Years**

(21) Appl. No.: **29/420,923**

(22) Filed: **May 15, 2012**

(51) **LOC (9) Cl.** **14-03**

(52) **U.S. Cl.**
USPC **D14/126**

(58) **Field of Classification Search** D14/125-134,
D14/239, 371, 136, 374-377, 440, 450, 448,
D14/336, 342, 159; 312/7.2; 248/917-924,
248/465; 345/104, 133, 156, 168, 87, 173;
720/605, 669, 600, 655; 369/99, 197; 455/344,
455/347; D21/329, 515, 577, 622, 333, 433,
D21/448, 452, 450, 331; D6/477, 479, 300;
273/148 B; 446/484, 175, 356; D10/15,
D10/26

See application file for complete search history.

(56) **References Cited**

U.S. PATENT DOCUMENTS

D535,953 S *	1/2007	Fujii	D14/126
D548,206 S *	8/2007	Han	D14/126
D581,378 S *	11/2008	Chiu	D14/126
D589,475 S *	3/2009	Lee	D14/126
D655,266 S *	3/2012	Kim	D14/126

* cited by examiner

Primary Examiner — Raphael Barkai

(74) *Attorney, Agent, or Firm* — Ming Chow; Sinorica, LLC

(57) **CLAIM**

The ornamental design for a display, as shown and described.

DESCRIPTION

FIG. 1. is a perspective view of a display showing my new design;

FIG. 2. is a front elevational view thereof;

FIG. 3. is a rear elevational view thereof;

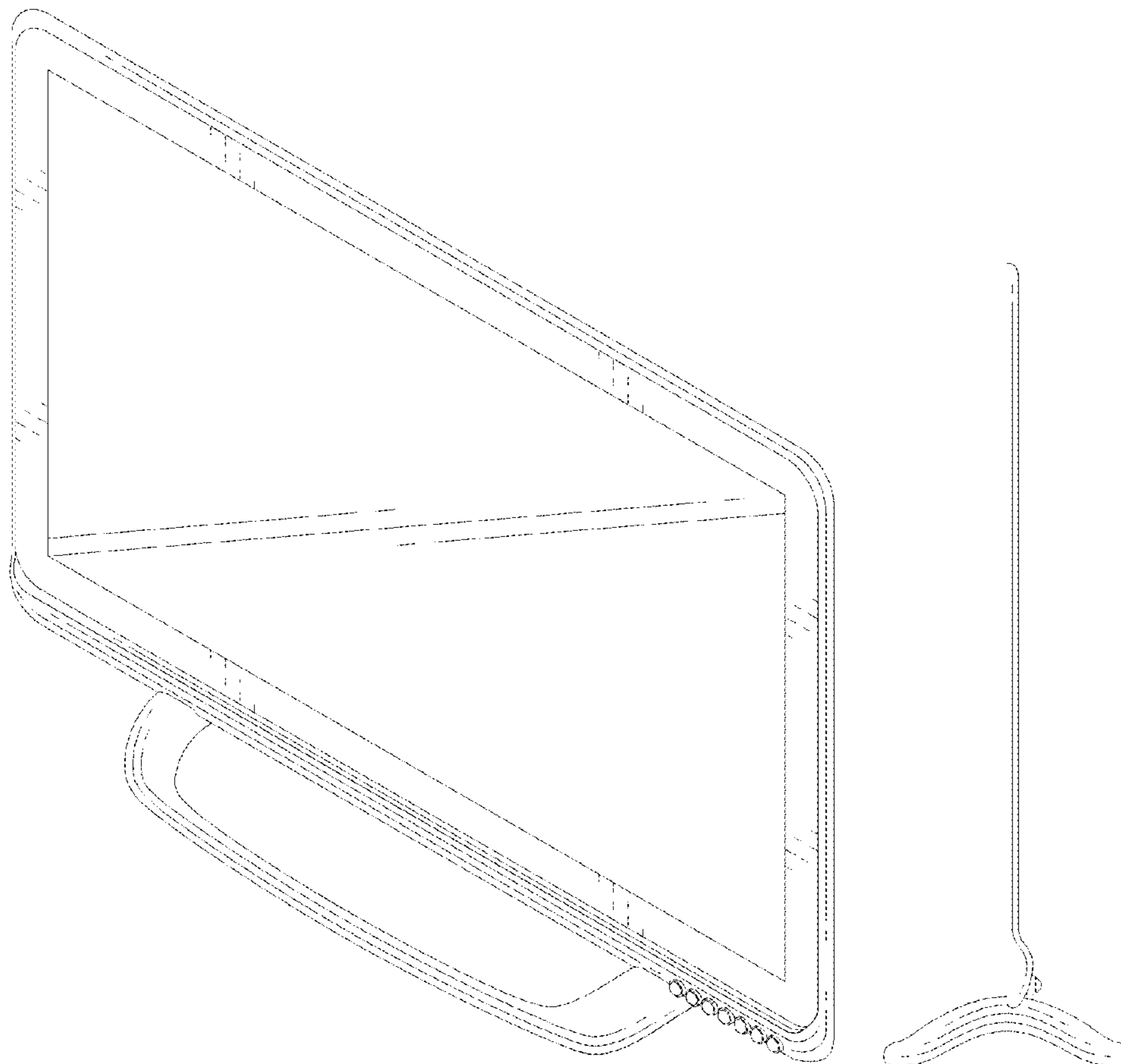
FIG. 4. is a left side elevational view thereof;

FIG. 5. is a right side elevational view thereof;

FIG. 6. is a top plan view thereof; and,

FIG. 7. is a bottom plan view thereof.

1 Claim, 7 Drawing Sheets



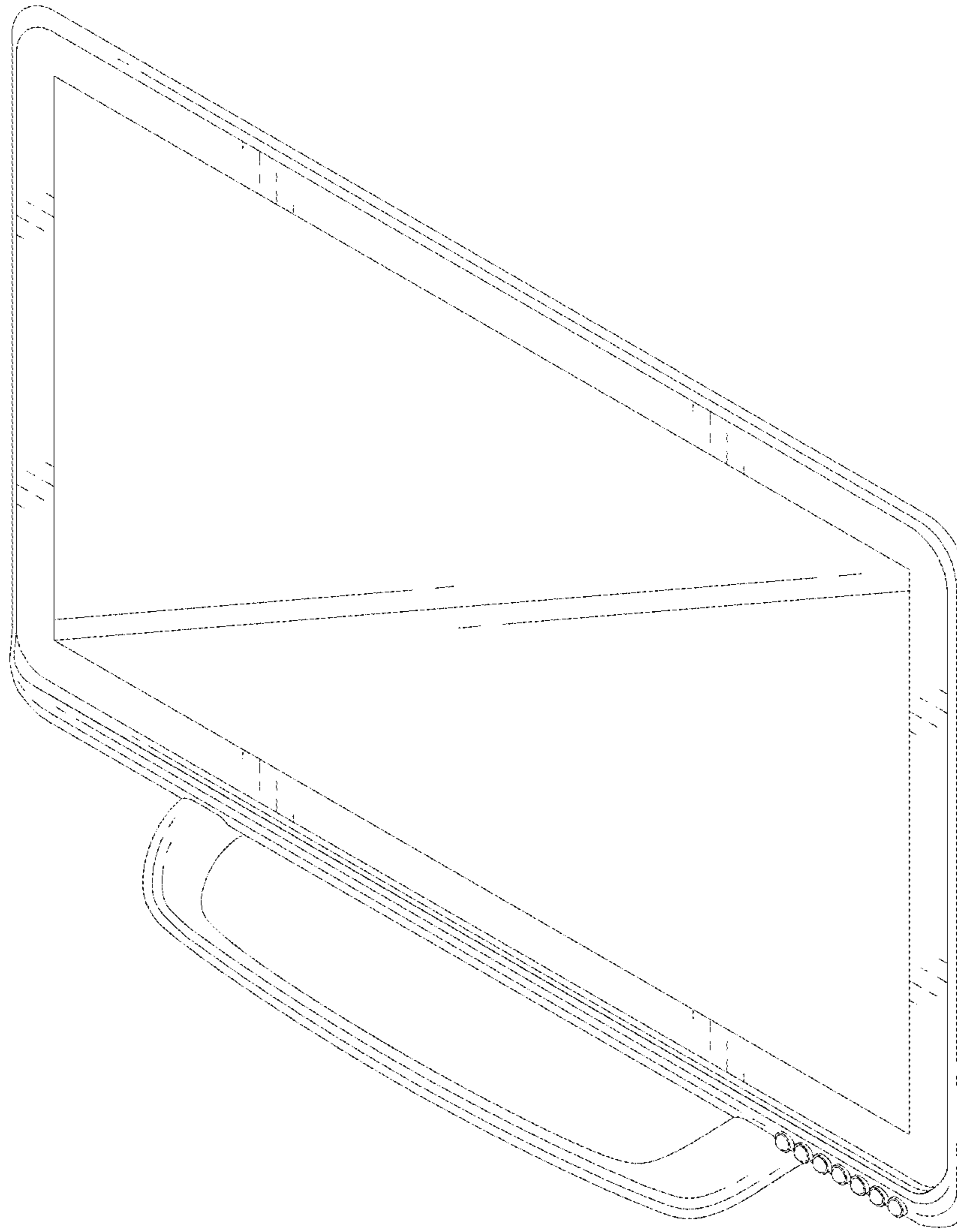


FIG. 1

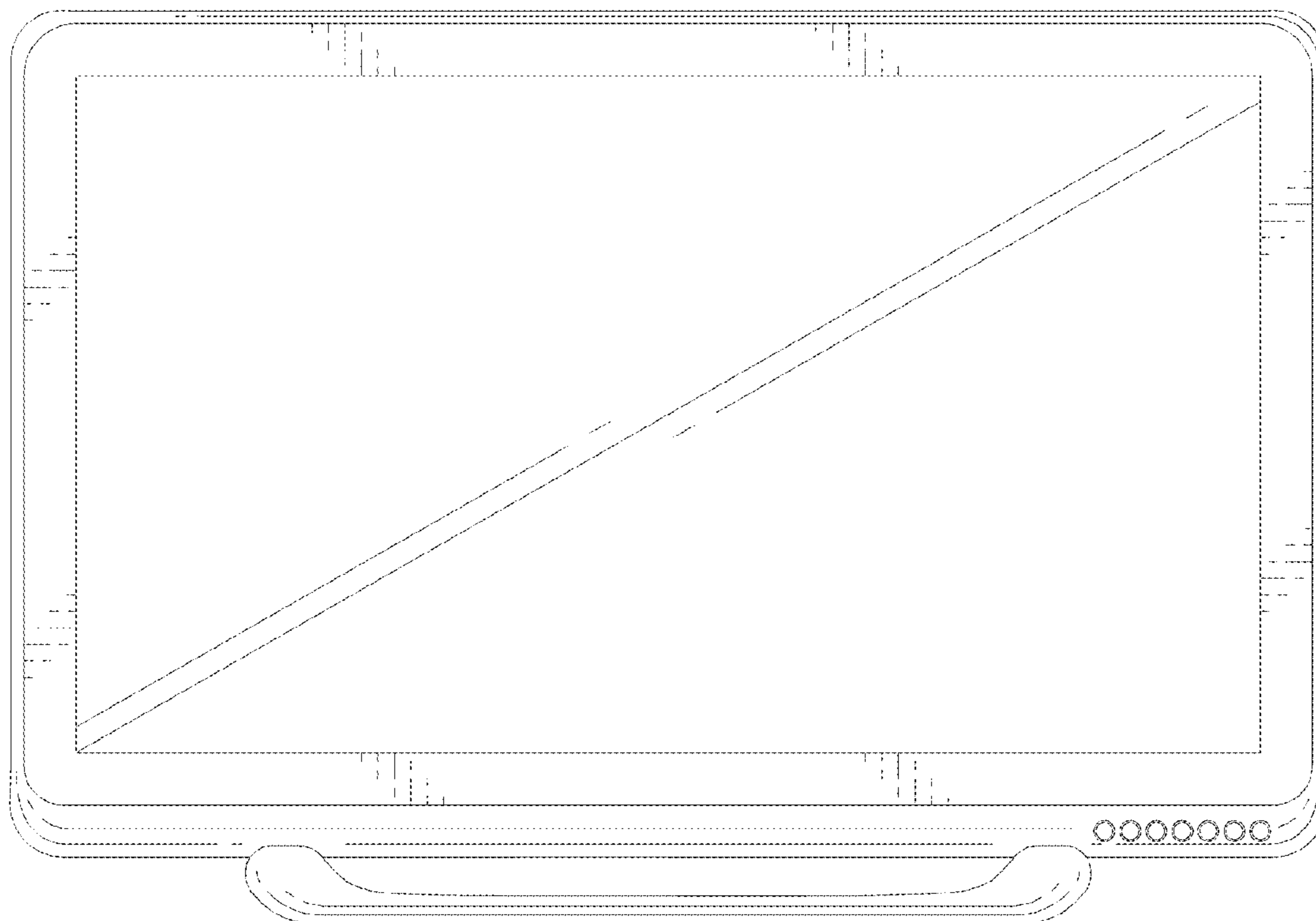


FIG. 2

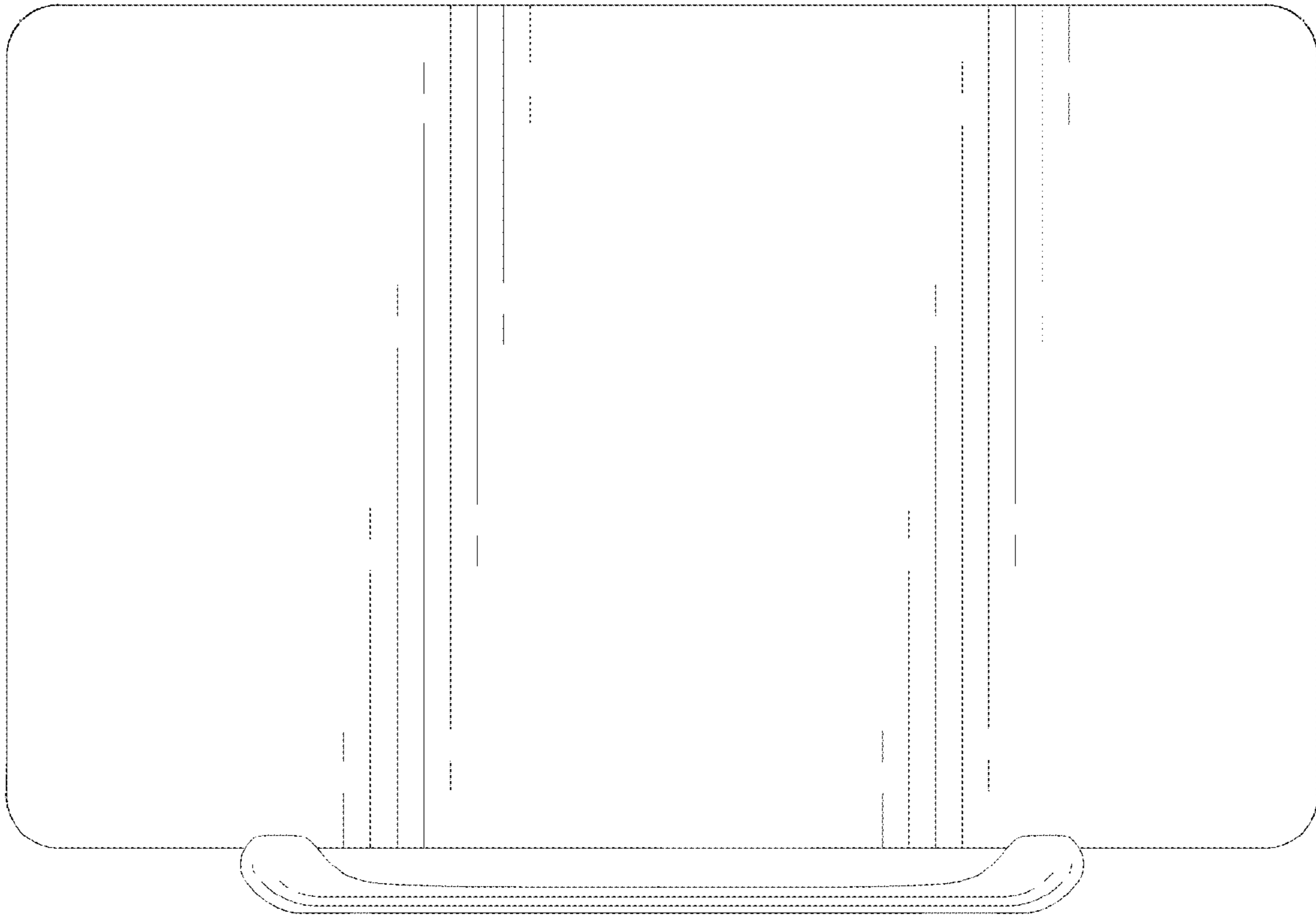


FIG. 3

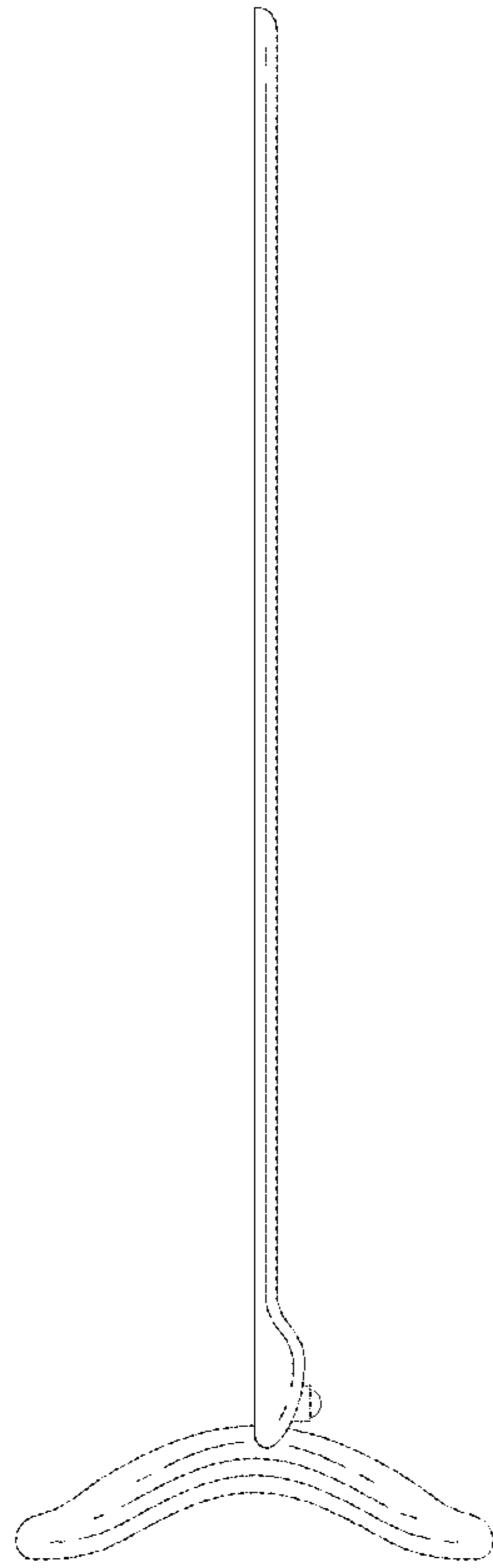


FIG. 4

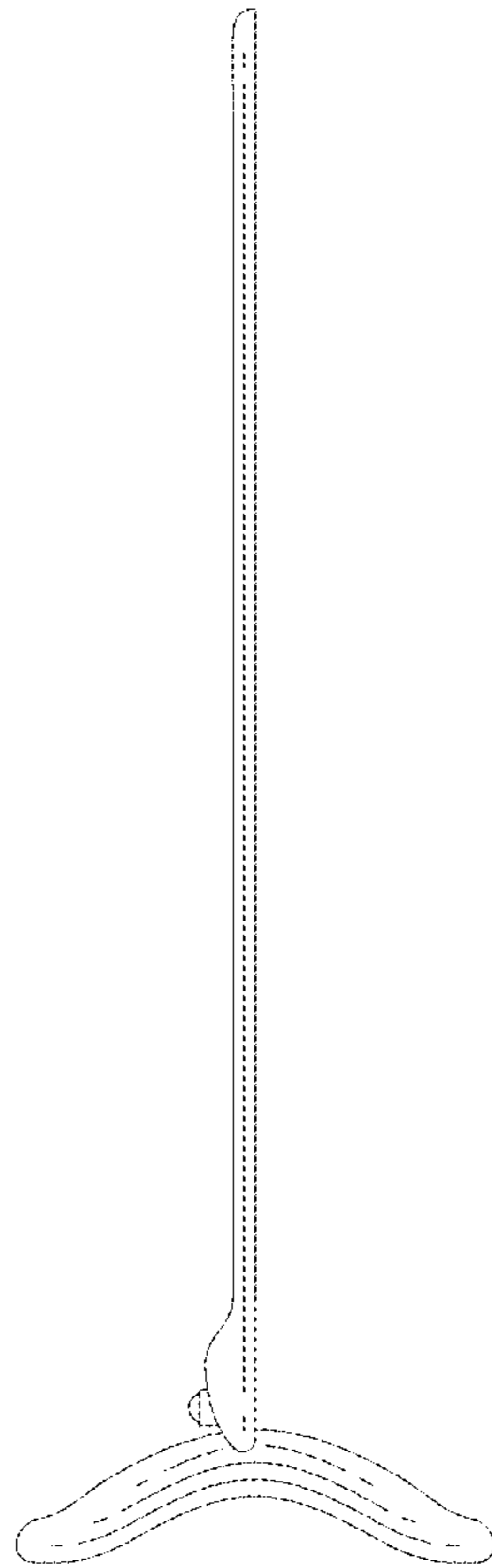


FIG. 5

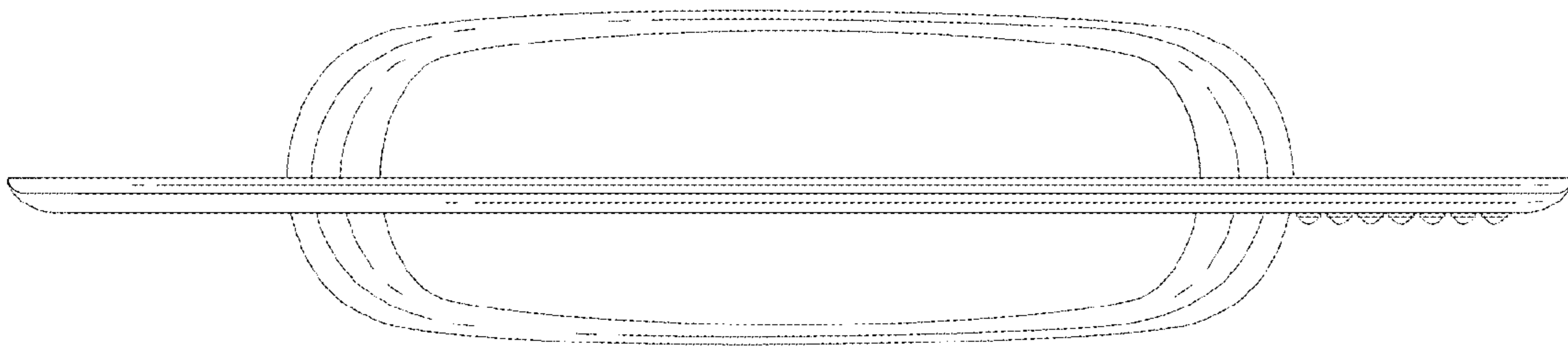


FIG. 6

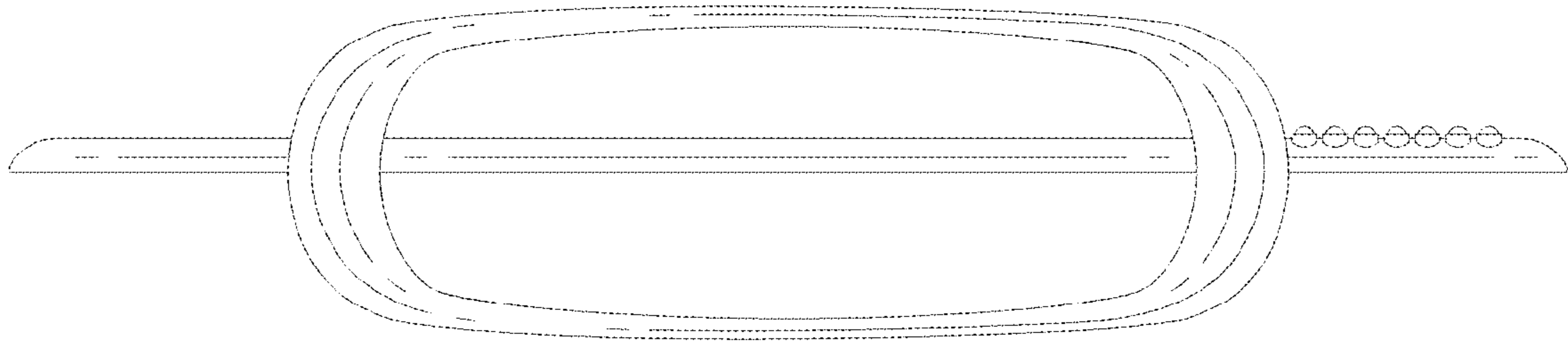


FIG. 7