



US00D680978S

(12) **United States Design Patent**
Meek

(10) **Patent No.:** **US D680,978 S**

(45) **Date of Patent:** **** Apr. 30, 2013**

(54) **LOW DRAG ANTENNA BOARD**

(76) Inventor: **Jean L. Meek**, Lindale, TX (US)

(**) Term: **14 Years**

(21) Appl. No.: **29/373,432**

(22) Filed: **Apr. 7, 2011**

(51) **LOC (9) Cl.** **13-03**

(52) **U.S. Cl.**
USPC **D13/182; D14/230**

(58) **Field of Classification Search** D13/182;
D14/230; 340/10.51, 572.1, 572.7; 343/700 MS,
343/702, 795, 872, 895

See application file for complete search history.

(56) **References Cited**

U.S. PATENT DOCUMENTS

D440,209	S *	4/2001	Kang	D13/182
D465,772	S *	11/2002	Poulter et al.	D13/182
7,053,836	B2 *	5/2006	Huang	343/700 MS
D598,435	S *	8/2009	Miyoshi et al.	D14/230
D599,308	S *	9/2009	Blumberg et al.	D13/182
7,685,337	B2 *	3/2010	Merry et al.	710/62

2007/0052591	A1 *	3/2007	Chao	343/700 MS
2008/0278377	A1 *	11/2008	Vance	343/700 MS
2008/0303735	A1 *	12/2008	Fujimoto et al.	343/787
2010/0296236	A1 *	11/2010	Schuette	361/679.31
2011/0051351	A1 *	3/2011	Harashima	361/679.31

* cited by examiner

Primary Examiner — Selina Sikder

(74) *Attorney, Agent, or Firm* — C. W. Alworth

(57) **CLAIM**

The ornamental design for a low drag antenna board, as shown and described.

DESCRIPTION

FIG. 1, is an isometric view of the new low drag antenna board, showing the perforated copper strip;

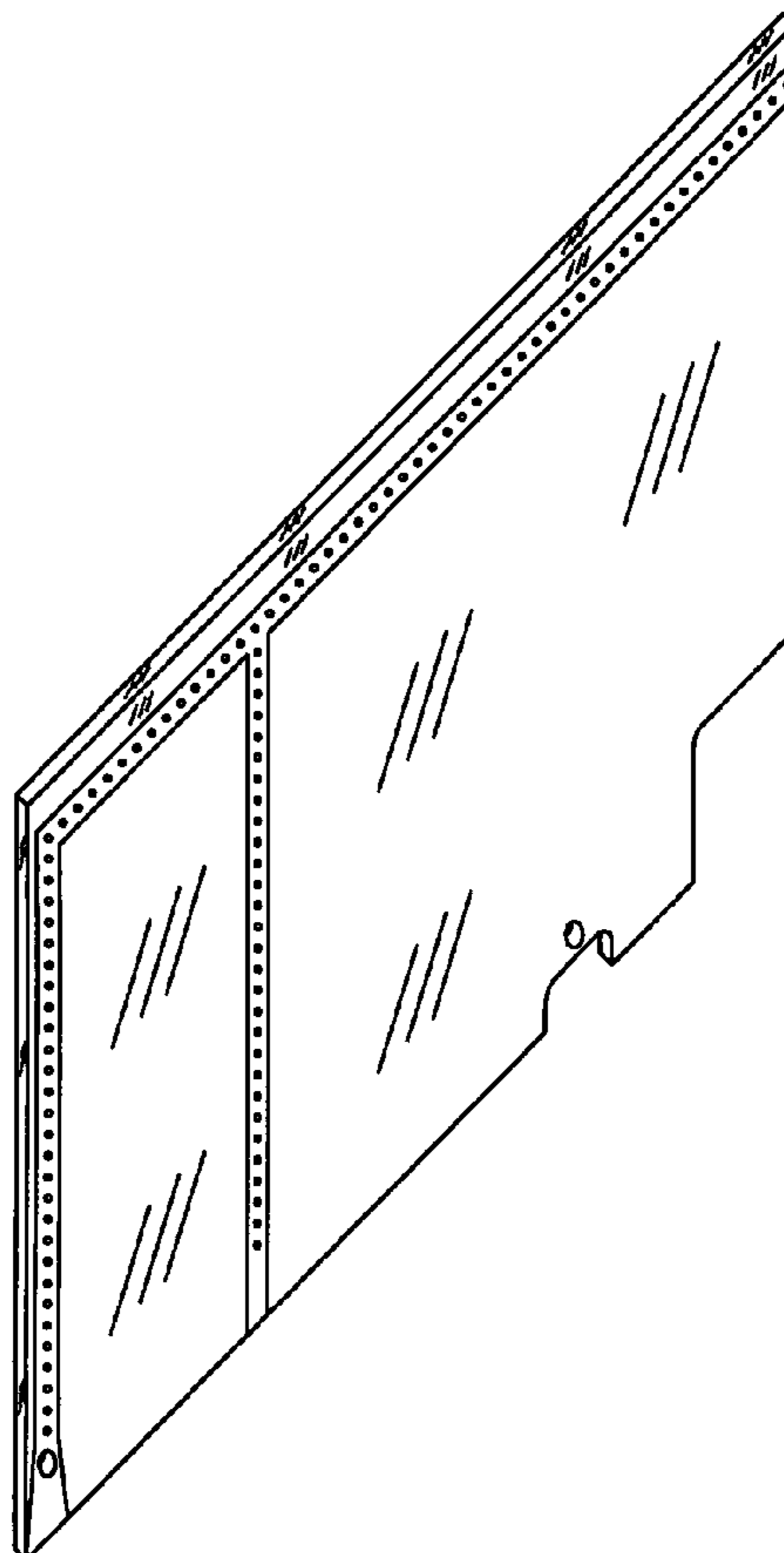
FIG. 2, is a side elevational view of the board thereof, taken from FIG. 1;

FIG. 3, is a side elevational view of the board thereof, taken from the other side of FIG. 1;

FIG. 4, is a top view of the board thereof; and,

FIG. 5, is a bottom view of the board thereof.

1 Claim, 5 Drawing Sheets



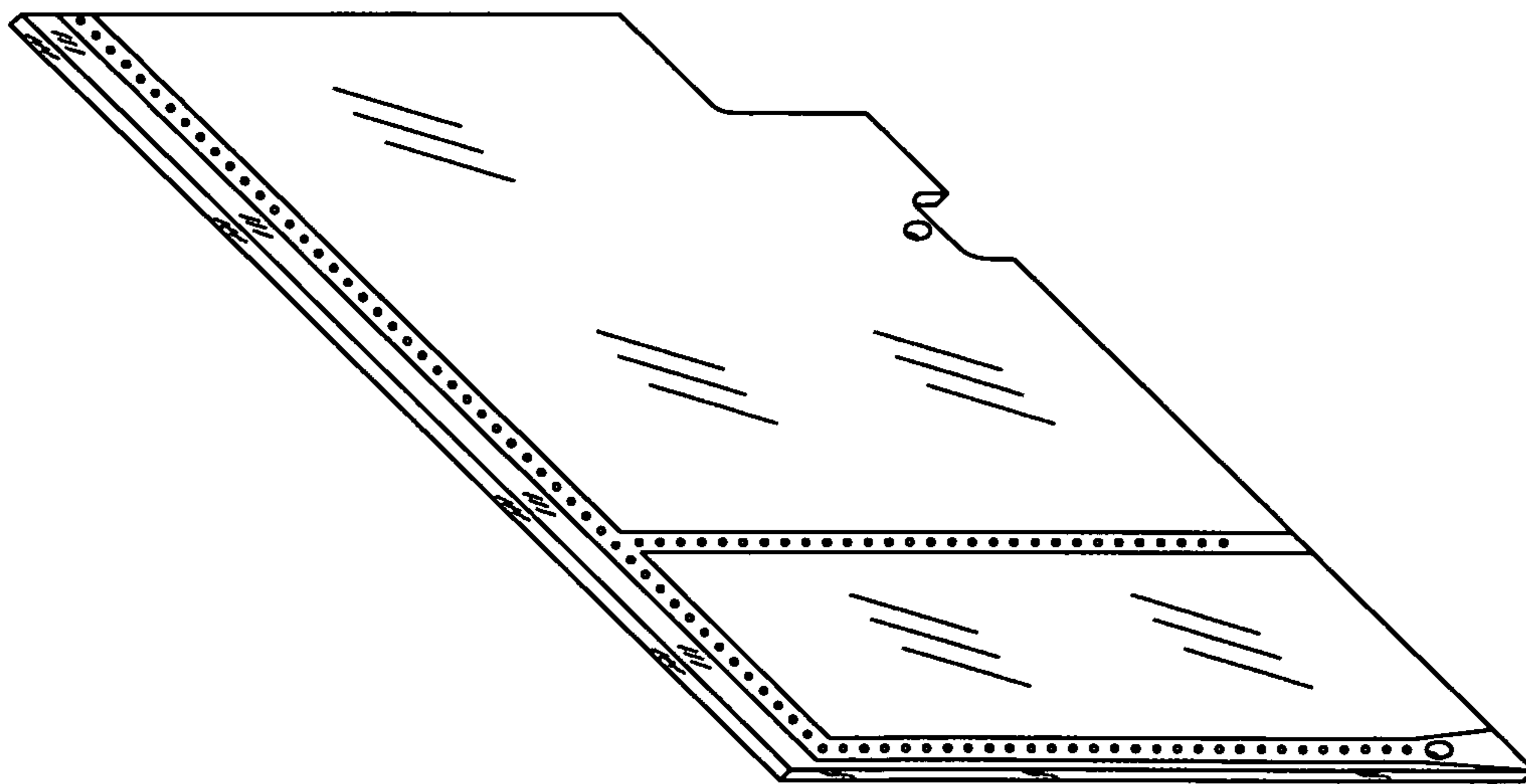


Figure 1

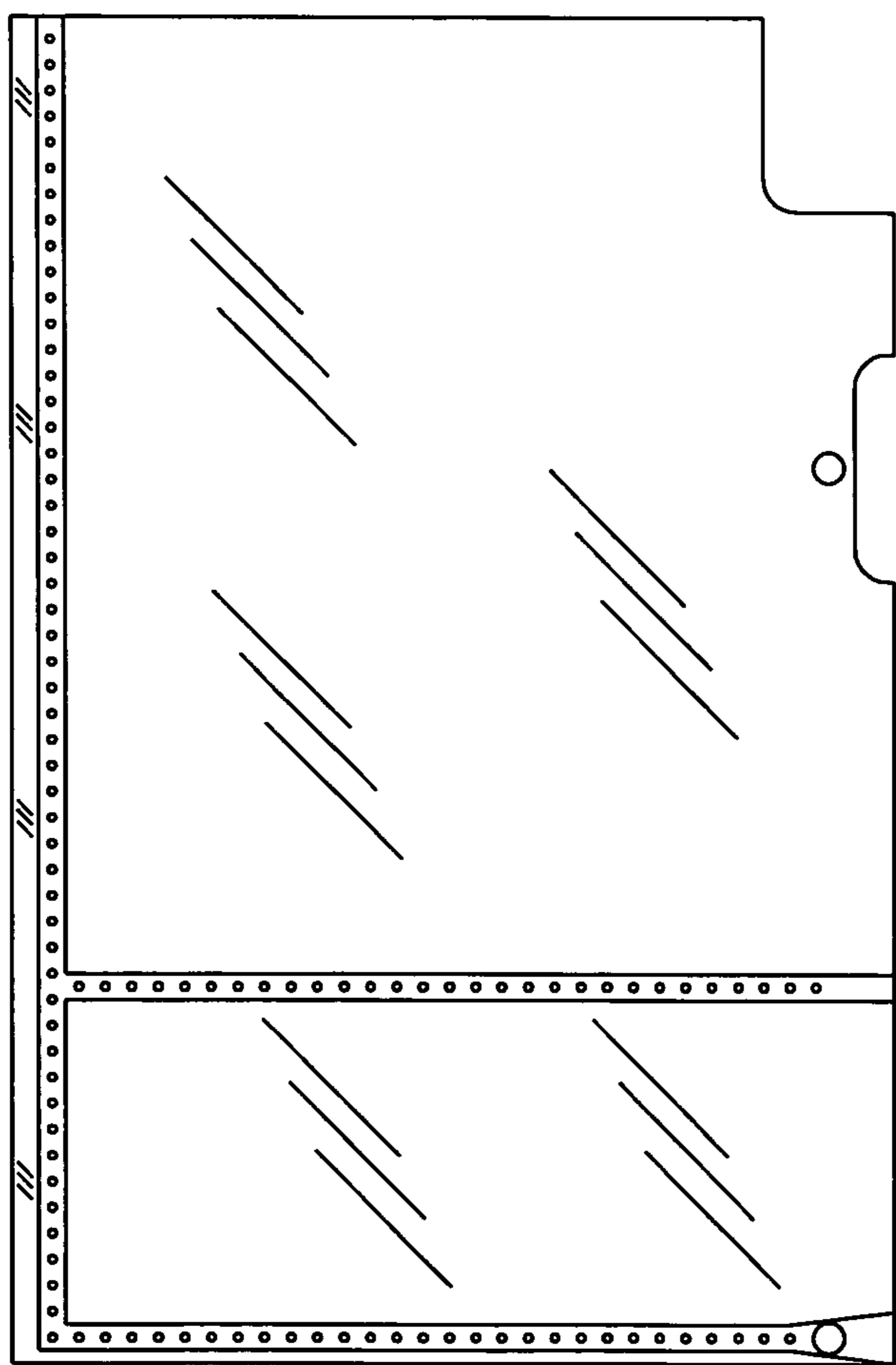


Figure 2

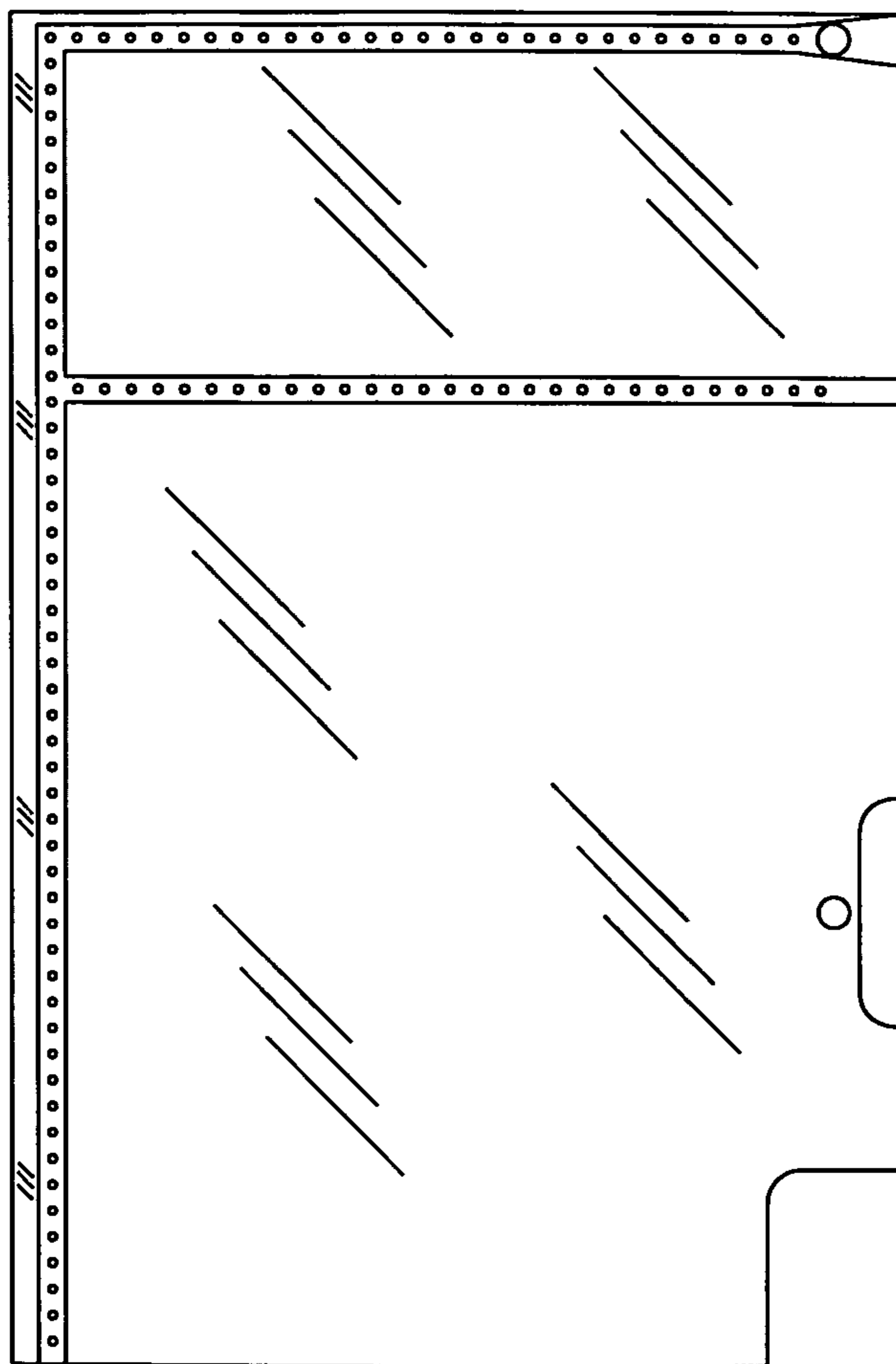


Figure 3



Figure 4



Figure 5