



US00D680977S

(12) **United States Design Patent**  
**Hsu et al.**

(10) **Patent No.:** **US D680,977 S**  
(45) **Date of Patent:** **\*\* Apr. 30, 2013**

(54) **LIGHT EMITTING DIODE**

(75) Inventors: **Chia-Liang Hsu**, Hsinchu (TW);  
**Chun-Yi Wu**, Hsinchu (TW); **Shih-I**  
**Chen**, Hsinchu (TW)

(73) Assignee: **Epistar Corporation**, Hsinchu (TW)

(\*\*) Term: **14 Years**

(21) Appl. No.: **29/432,255**

(22) Filed: **Sep. 14, 2012**

**Related U.S. Application Data**

(62) Division of application No. 29/389,215, filed on Apr. 7, 2011.

(51) **LOC (9) Cl.** ..... **13-03**

(52) **U.S. Cl.**  
USPC ..... **D13/180**

(58) **Field of Classification Search** ..... D13/180;  
D26/1, 2; 257/79, 80, 81, 88, 89, 95, 98,  
257/99, 100, E33.058; 313/483, 498, 500;  
362/555, 800

See application file for complete search history.

(56) **References Cited**

**U.S. PATENT DOCUMENTS**

|           |      |         |                |         |
|-----------|------|---------|----------------|---------|
| 6,614,056 | B1   | 9/2003  | Tarsa et al.   |         |
| 6,921,924 | B2   | 7/2005  | Tsai et al.    |         |
| 7,436,066 | B2   | 10/2008 | Sonbobe et al. |         |
| D580,888  | S    | 11/2008 | Liu            |         |
| D593,968  | S    | 6/2009  | Edmond et al.  |         |
| D599,748  | S    | 9/2009  | Liu            |         |
| D606,949  | S    | 12/2009 | Liu            |         |
| D633,876  | S    | 3/2011  | Shan et al.    |         |
| D653,630  | S *  | 2/2012  | Liu            | D13/180 |
| 8,129,739 | B2 * | 3/2012  | Higashi et al. | 257/99  |

|              |      |         |                    |        |
|--------------|------|---------|--------------------|--------|
| 8,168,995    | B2 * | 5/2012  | Ko et al.          | 257/99 |
| 8,168,996    | B2 * | 5/2012  | Inoue et al.       | 257/99 |
| 2003/0107053 | A1   | 6/2003  | Uemura et al.      |        |
| 2003/0230754 | A1   | 12/2003 | Steigerwald et al. |        |
| 2006/0237735 | A1   | 10/2006 | Naulin et al.      |        |
| 2007/0085095 | A1   | 4/2007  | Ko et al.          |        |
| 2009/0283787 | A1   | 11/2009 | Donofrio et al.    |        |

**OTHER PUBLICATIONS**

Application and File History of U.S. Appl. No. 29/389,215, filed Apr. 7, 2011, inventors Chia-Liang Hsu et al., entitled "Light Emitting Diode".

\* cited by examiner

*Primary Examiner* — Selina Sikder

(74) *Attorney, Agent, or Firm* — Patterson Thuent Christensen, P.A.

(57) **CLAIM**

The ornamental design for a light emitting diode, as shown and described.

**DESCRIPTION**

FIG. 1 is a perspective view of a light emitting diode showing the claimed design;

FIG. 2 is a front elevational view of FIG. 1;

FIG. 3 is a rear elevational view of FIG. 1;

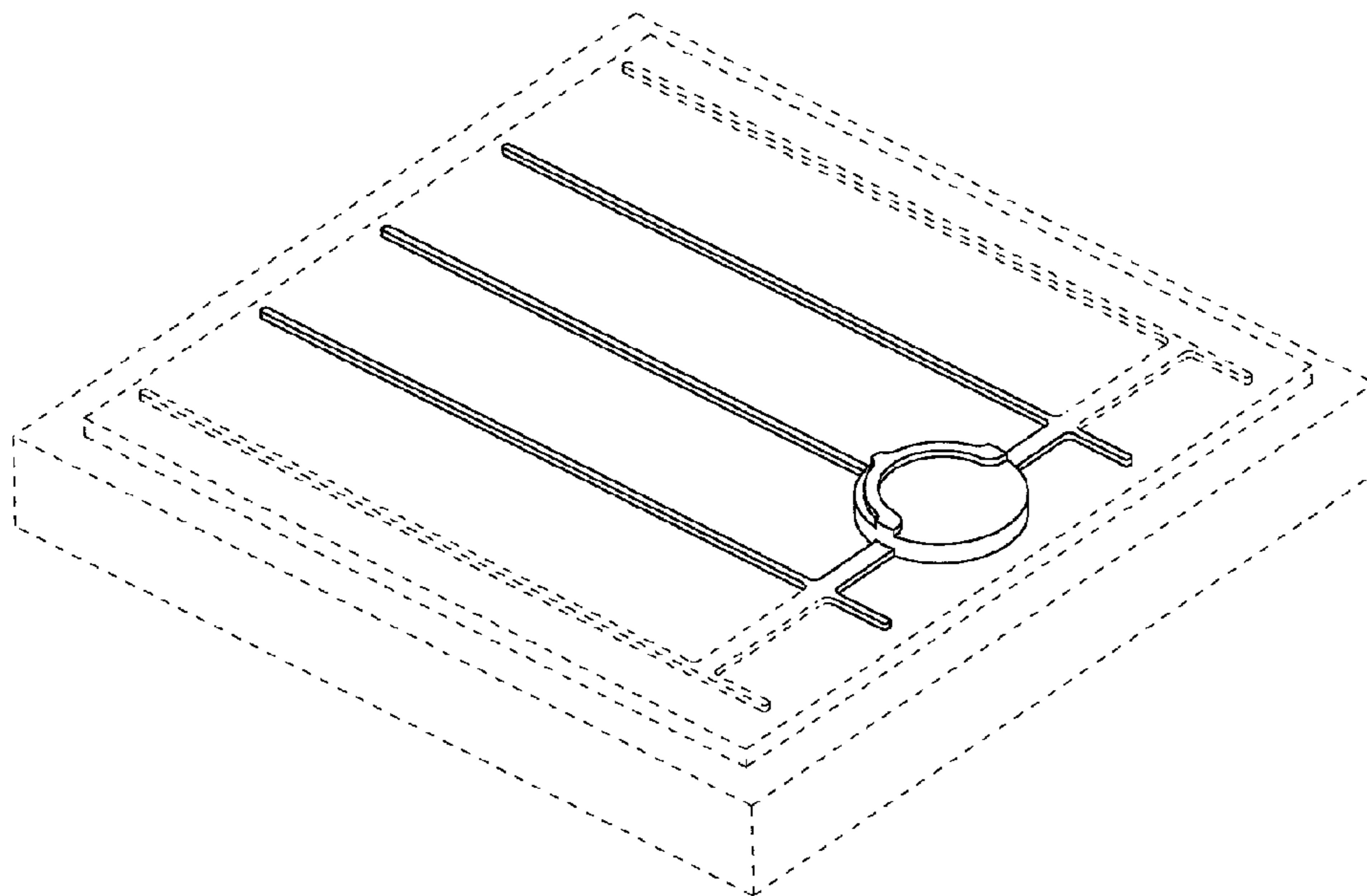
FIG. 4 is a left side elevational view of FIG. 1;

FIG. 5 is a right side elevational view of FIG. 1; and,

FIG. 6 is a bottom plan view of FIG. 1, which is a mirror image of the top plan view.

The broken lines are directed to environment and are for illustrative purpose only; the broken lines form no part of the claimed design.

**1 Claim, 4 Drawing Sheets**



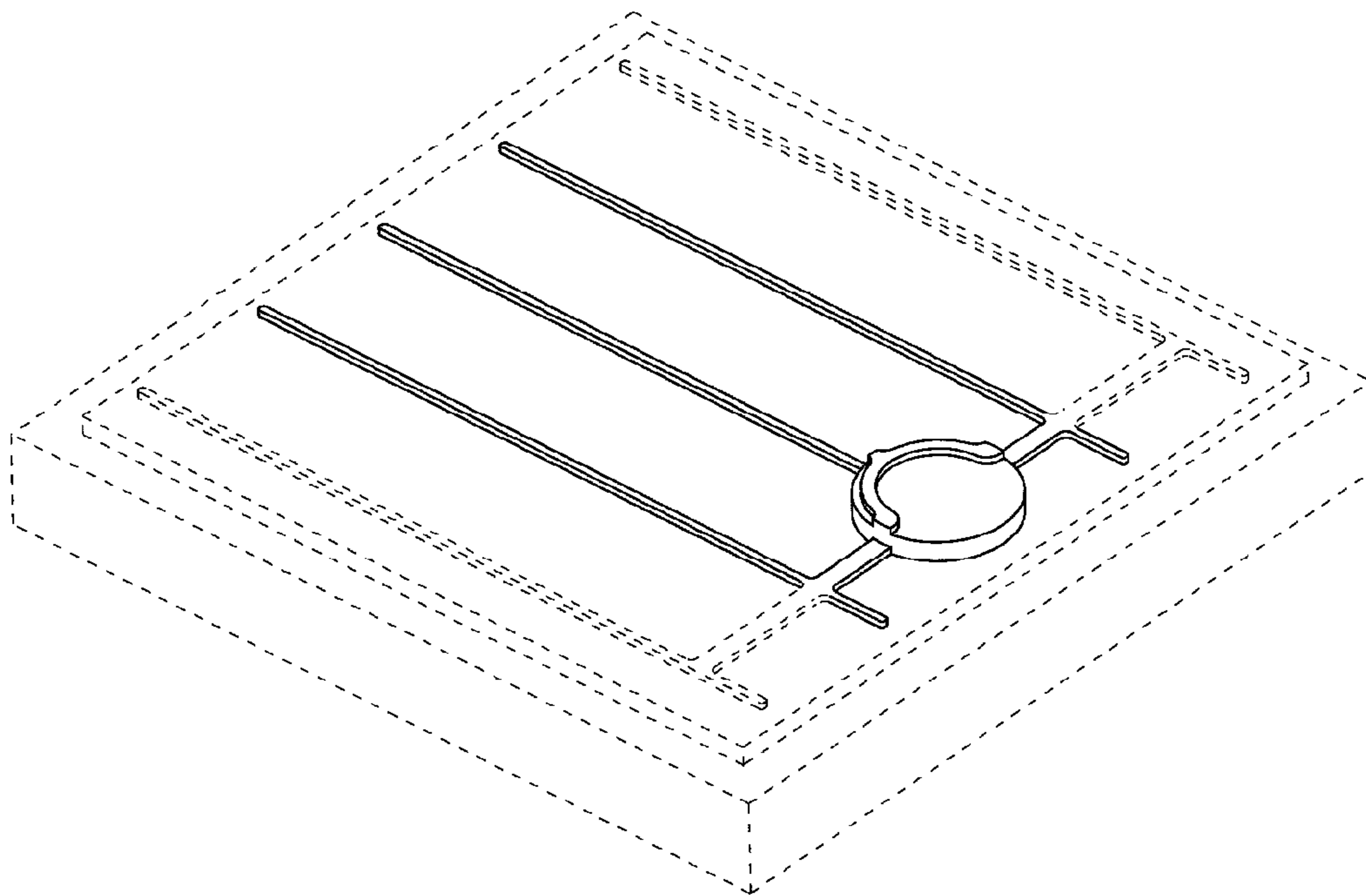


FIG.1

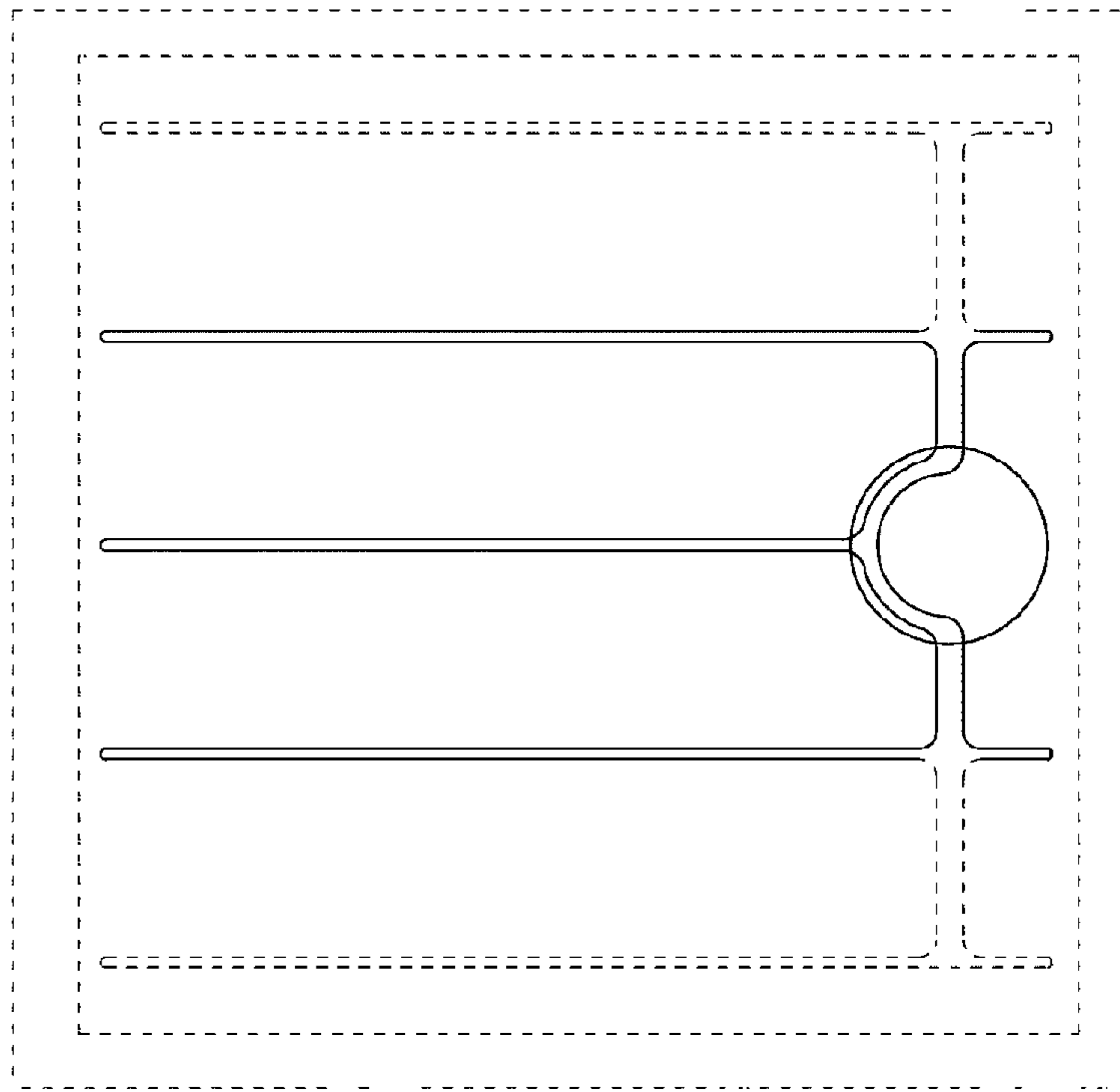


FIG. 2



FIG. 3

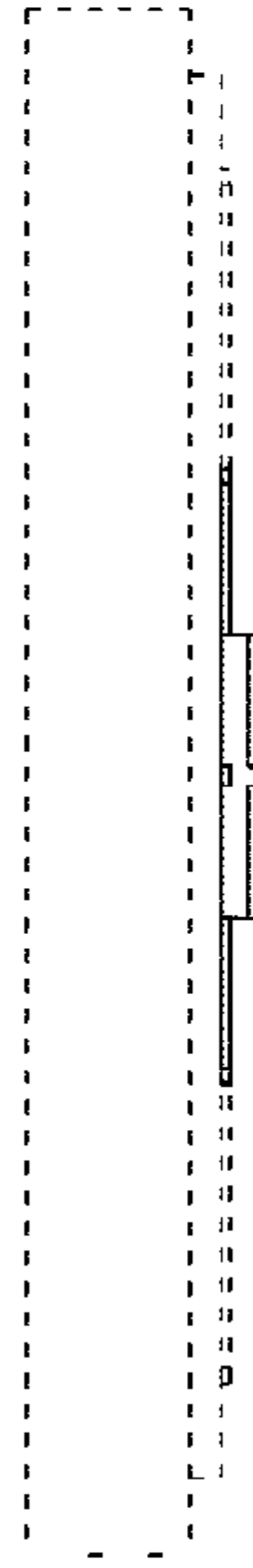


FIG.4

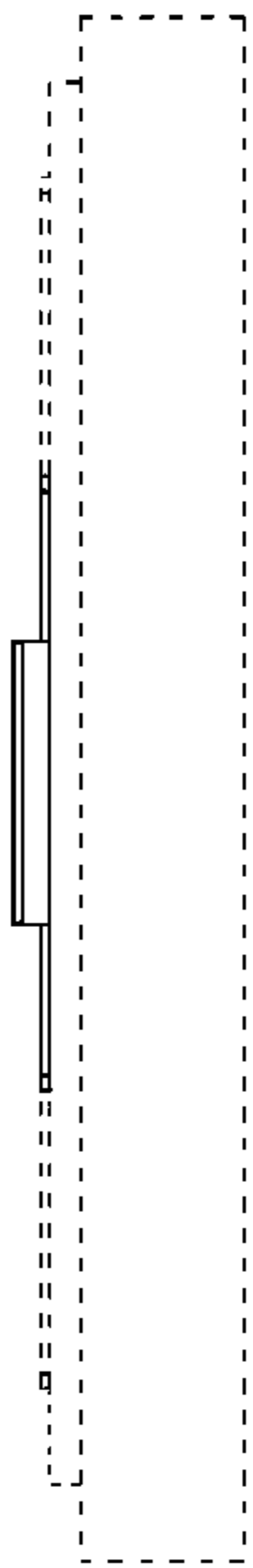
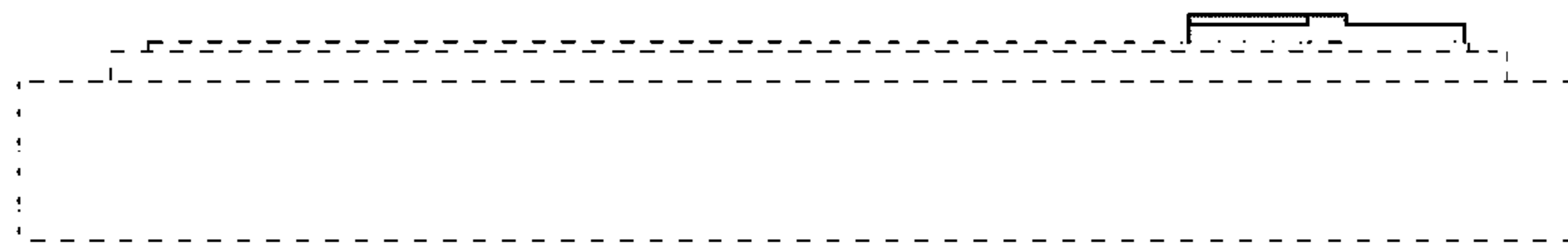


FIG.5



**FIG.6**