



US00D680973S

(12) **United States Design Patent**  
**Nakai**

(10) **Patent No.:** **US D680,973 S**

(45) **Date of Patent:** **\*\* Apr. 30, 2013**

(54) **REMOTE CONTROLLER FOR AIR-CONDITIONERS**

(75) Inventor: **So Nakai**, Chiyoda-Ku (JP)

(73) Assignee: **Mitsubishi Electric Corporation**, Tokyo (JP)

(\*\*) Term: **14 Years**

(21) Appl. No.: **29/417,566**

(22) Filed: **Apr. 5, 2012**

(30) **Foreign Application Priority Data**

Dec. 14, 2011 (JP) ..... 2011-029027

(51) **LOC (9) Cl.** ..... **14-03**

(52) **U.S. Cl.**  
USPC ..... **D13/168**

(58) **Field of Classification Search** ..... D13/168;  
D10/50, 104.1, 106.1; D14/218; 236/1 C,  
236/51; 315/158, 295; 340/4.3, 4.42, 12.22,  
340/12.23, 12.24, 12.29, 12.3, 13.2, 13.21,  
340/13.24; 341/176; 345/169; 348/734;  
455/352; 463/39; 700/17, 65, 83, 278  
See application file for complete search history.

(56) **References Cited**

U.S. PATENT DOCUMENTS

6,460,774 B2 \* 10/2002 Sumida et al. .... 236/51  
D619,543 S \* 7/2010 Nakai ..... D13/168

D634,277 S \* 3/2011 Chouji ..... D13/168  
D634,715 S \* 3/2011 Choi et al. .... D13/168  
D639,750 S \* 6/2011 Chouji ..... D13/168  
D657,754 S \* 4/2012 Kashimoto ..... D13/168  
D667,797 S \* 9/2012 Saitou ..... D13/168

\* cited by examiner

*Primary Examiner* — Selina Sikder

(74) *Attorney, Agent, or Firm* — Sughrue Mion, PLLC

(57) **CLAIM**

The ornamental design for a remote controller for air conditioners, as shown and described.

**DESCRIPTION**

FIG. 1 is a front, top and right side perspective view of a remote controller for air conditioners, showing my new design;

FIG. 2 is a front elevational view thereof;

FIG. 3 is a rear elevational view thereof;

FIG. 4 is a left side elevational view thereof;

FIG. 5 is a right side elevational view thereof;

FIG. 6 is a top plan view thereof;

FIG. 7 is a bottom plan view thereof; and,

FIG. 8 is a reference vertical cross-sectional view thereof; taken in the direction of line 8-8 in FIG. 6, the broken line disclosure of internal elements being understood to be part of the article in which the claimed design is embodied, but which forms no part of the claimed design.

**1 Claim, 5 Drawing Sheets**

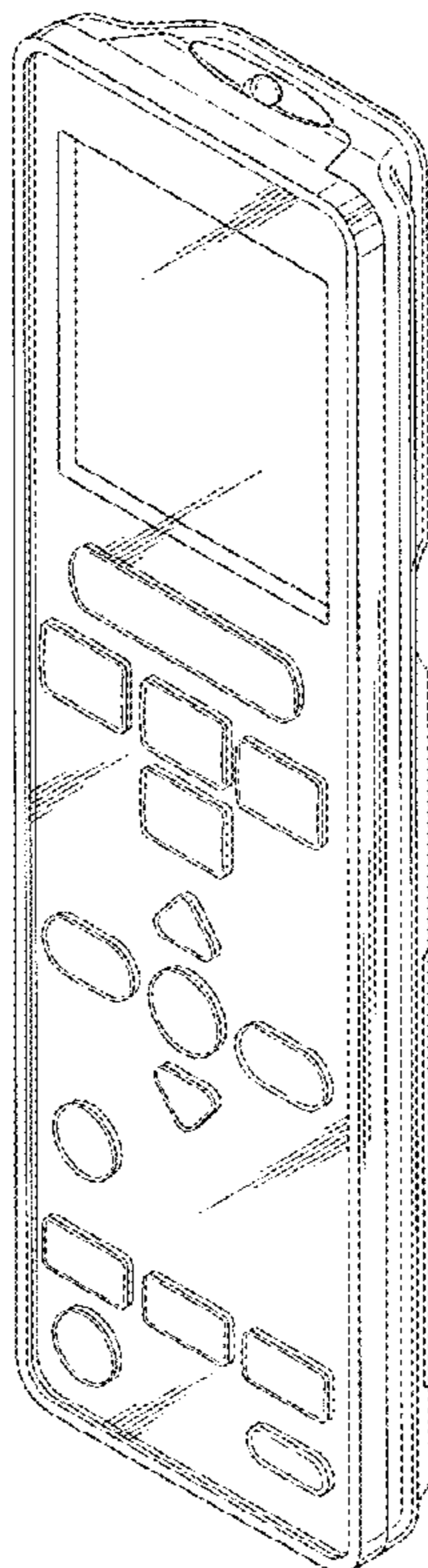


Fig. 1

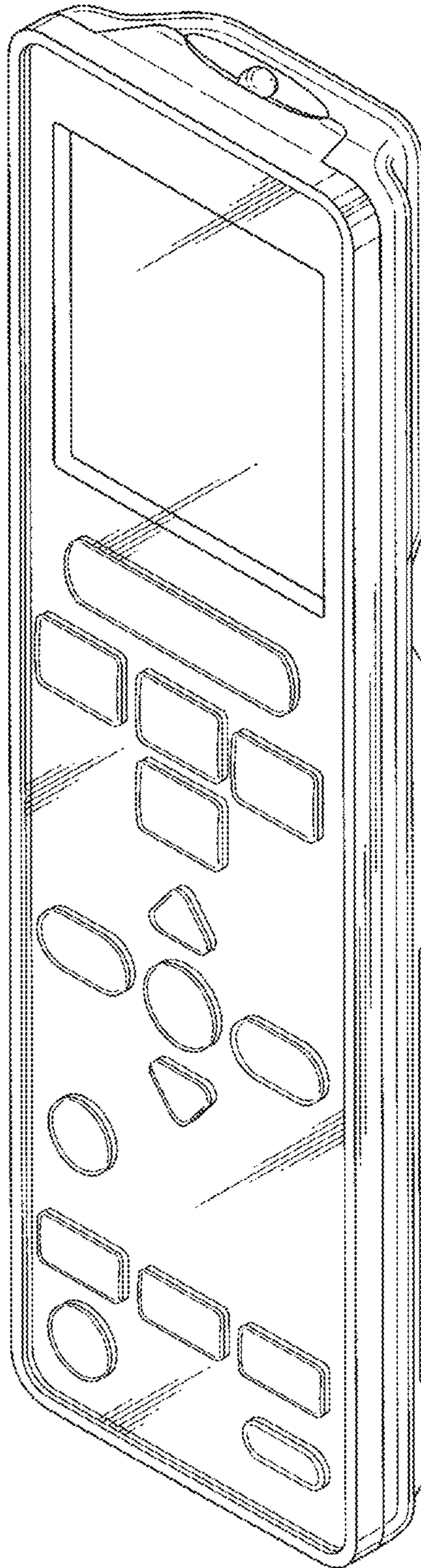


Fig. 2

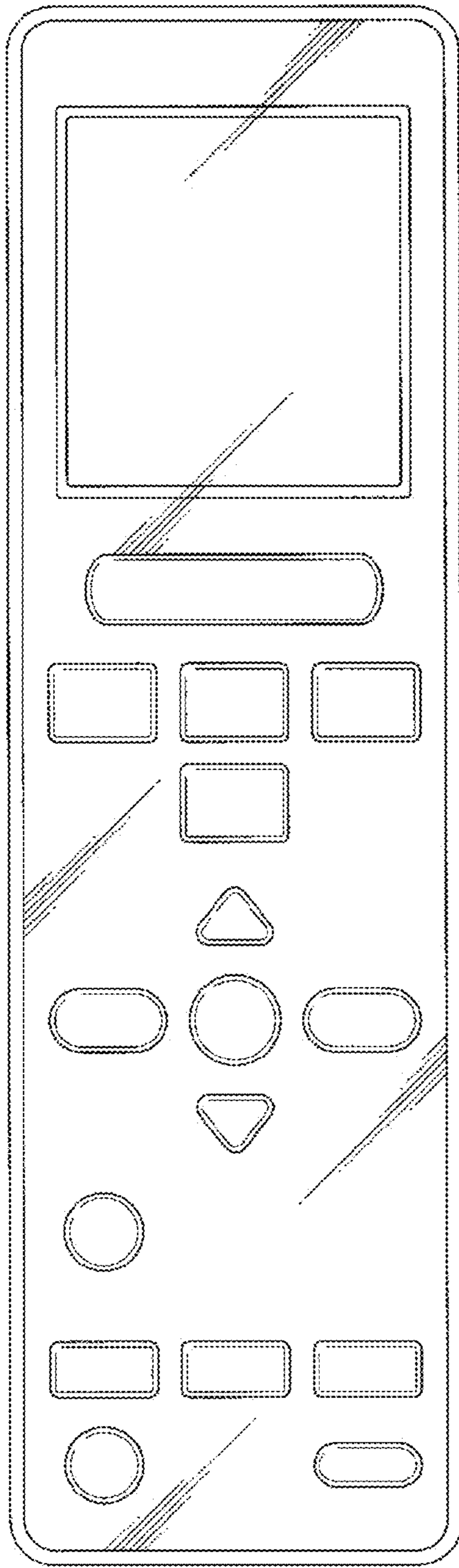


Fig. 3

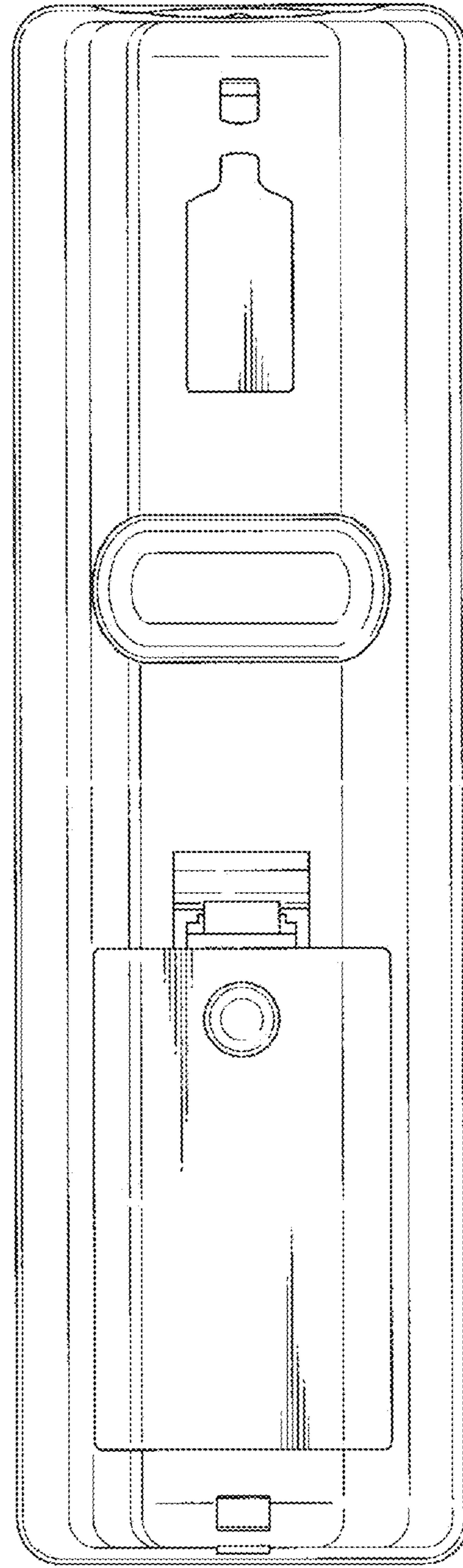


Fig. 4

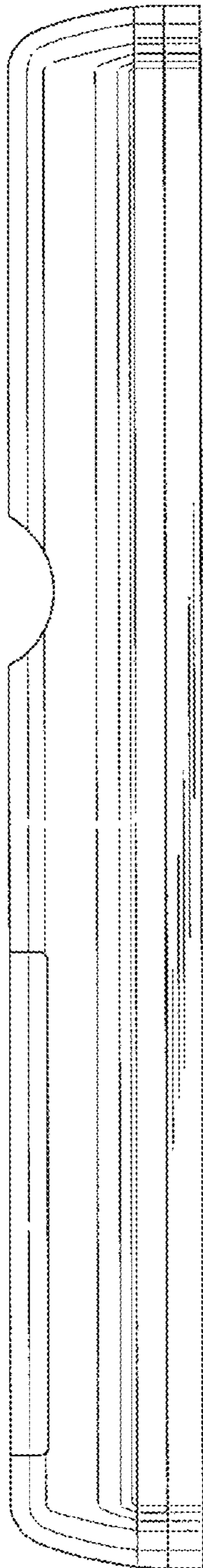


Fig. 5

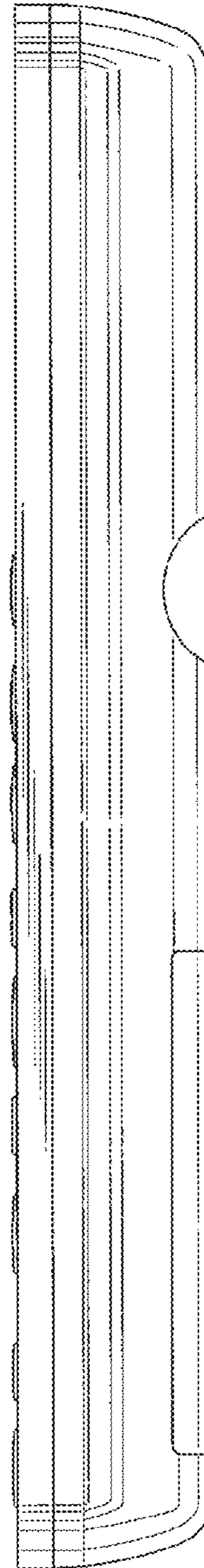


Fig. 6

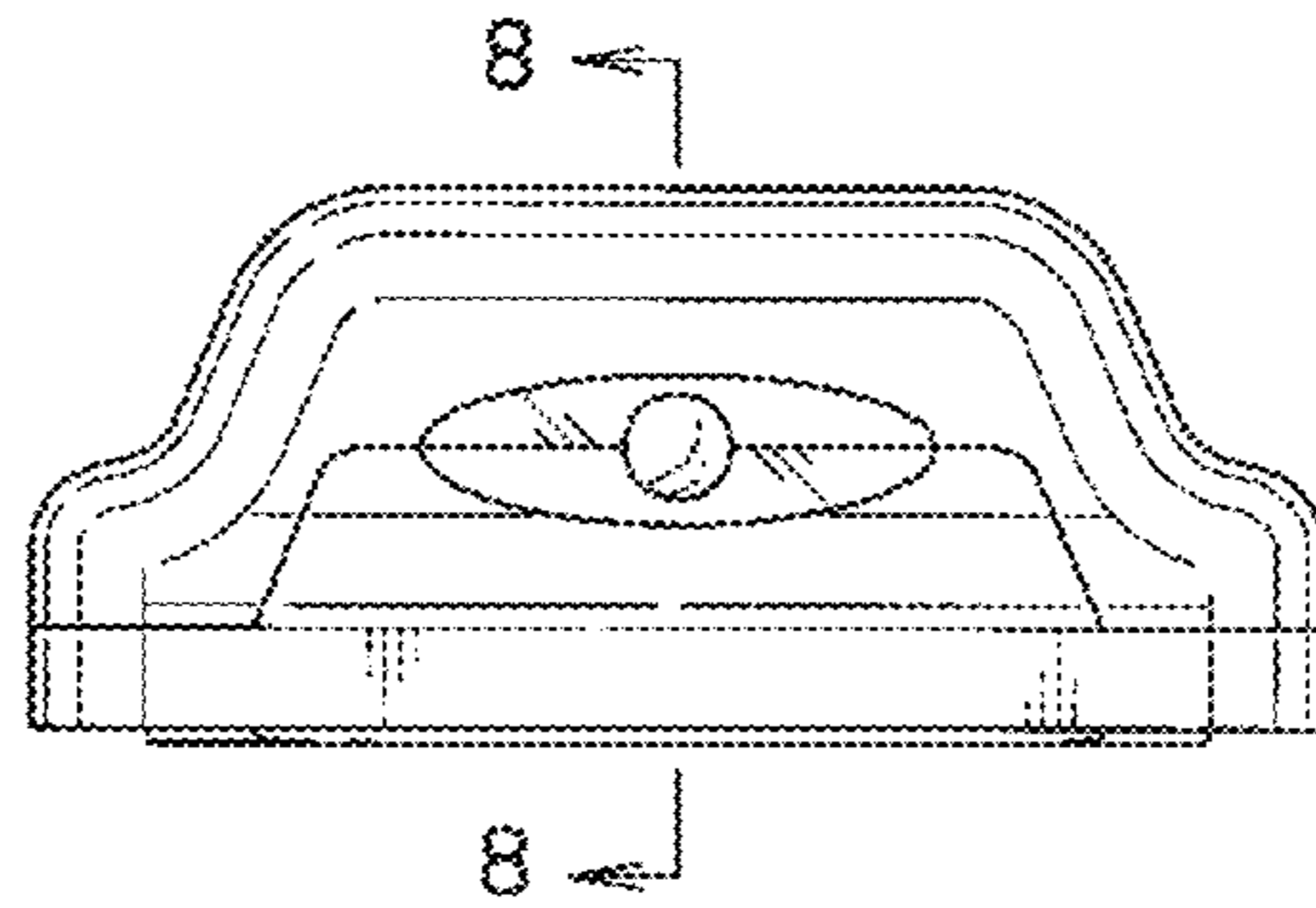


Fig. 7

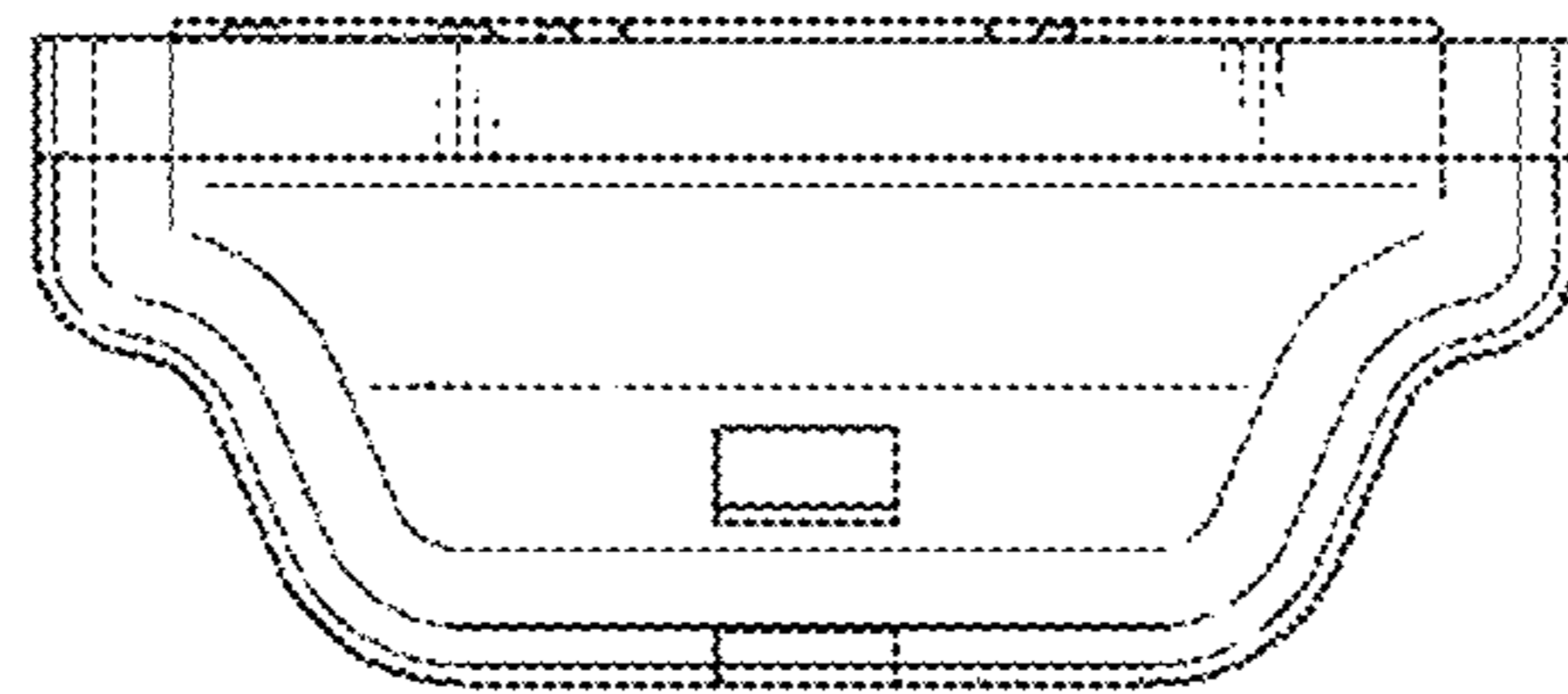


Fig.8

