



US00D680971S

(12) **United States Design Patent**
Furuhata et al.

(10) **Patent No.:** **US D680,971 S**
(45) **Date of Patent:** **** Apr. 30, 2013**

(54) **VACUUM INTERRUPTER**

(75) Inventors: **Takaaki Furuhata**, Numazu (JP);
Yoshihiro Tahara, Numazu (JP); **Hideki**
Komatsu, Numazu (JP); **Kenta**
Yamamura, Numazu (JP); **Akira**
Katayama, Numazu (JP)

(73) Assignee: **Japan AE Power Systems Corporation**,
Tokyo (JP)

(**) Term: **14 Years**

(21) Appl. No.: **29/392,786**

(22) Filed: **May 26, 2011**

(30) **Foreign Application Priority Data**

Dec. 28, 2010 (JP) 2010-31243

(51) **LOC (9) Cl.** **13-03**

(52) **U.S. Cl.**
USPC **D13/160**

(58) **Field of Classification Search** D13/123,
D13/125, 158, 160, 162, 164, 171; 439/417-419,
439/395-404, 465, 695, 696, 701; D32/60,
D32/61; 338/179, 198; 174/50, 66, 65 R,
174/67, 70 R, 77 R, 77 S, 92; 200/5 R, 43.11,
200/43.14, 50.01, 50.15, 293, 293.1, 303,
200/401; 361/42, 44, 45, 50, 71, 115, 118,
361/119, 679; 335/374, 68, 132, 202; 15/230.11;
401/121, 127, 137, 146, 197; D4/122, 123;
D8/373-386

See application file for complete search history.

(56) **References Cited**

U.S. PATENT DOCUMENTS

4,471,184 A * 9/1984 Sano et al. 218/127
D285,434 S * 9/1986 Panas D13/160
5,438,174 A * 8/1995 Slade 218/118

D418,482 S * 1/2000 MacKay D13/160
D521,457 S * 5/2006 Laurent et al. D13/160
D546,768 S * 7/2007 Sengupta et al. D13/151
D546,769 S * 7/2007 Sengupta et al. D13/151
D579,881 S * 11/2008 Aromin D13/160
2011/0204030 A1 * 8/2011 Mangan et al. 218/121

OTHER PUBLICATIONS

AE Power Review, vol. 3, Jul. 2010, pp. 1-44. (w/English version vol. 3, Aug. 2010).

* cited by examiner

Primary Examiner — Thomas Johannes

(74) *Attorney, Agent, or Firm* — Brundidge & Stanger, P.C.

(57) **CLAIM**

The ornamental design of a vacuum interrupter, as shown and described.

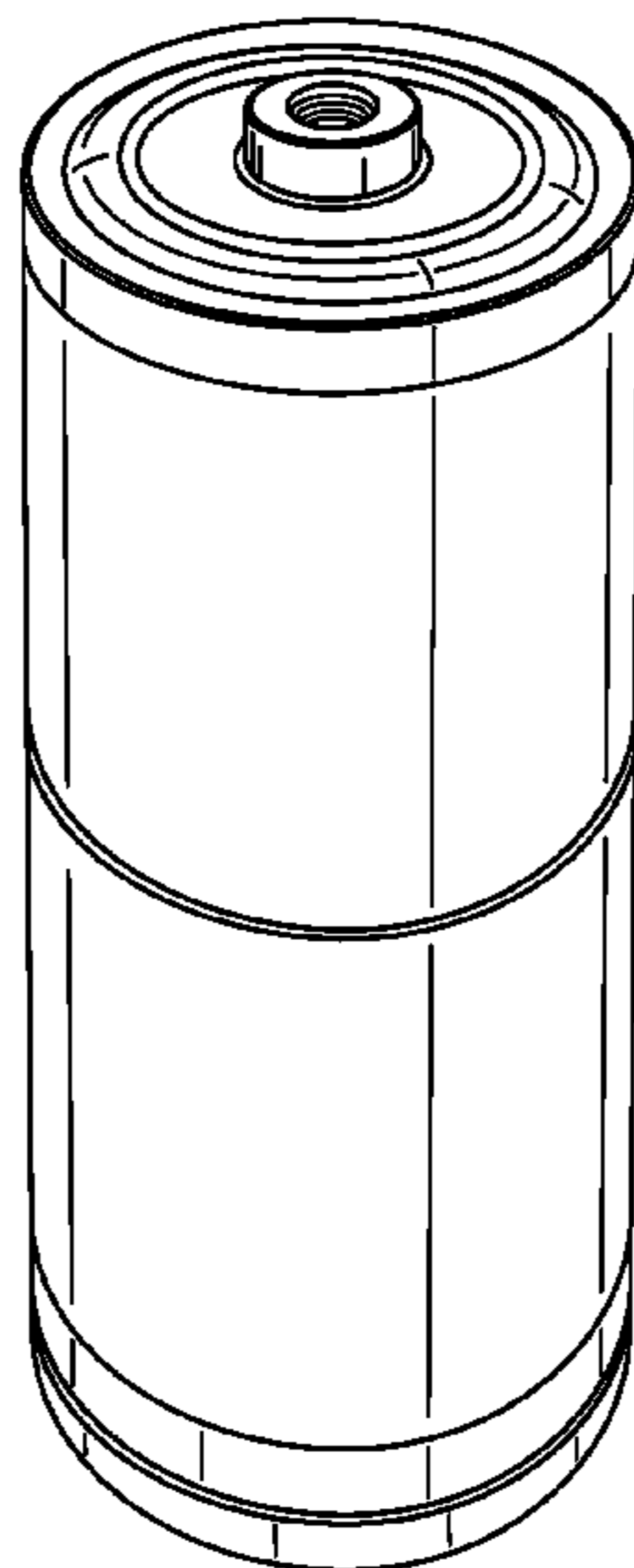
DESCRIPTION

FIG. 1 is a top perspective view of a vacuum interrupter showing our new design;
FIG. 2 is a bottom perspective view thereof;
FIG. 3 is a front view thereof;
FIG. 4 is a right-side view thereof;
FIG. 5 is an enlarged top plan view thereof;
FIG. 6 is an enlarged bottom plan view thereof;
FIG. 7 is an enlarged top perspective view thereof; and,
FIG. 8 is an enlarged bottom perspective view thereof.

A rear view of the vacuum interrupter is a mirror image of the front view, and therefore omitted. A left-side view of the vacuum interrupter is a mirror image of the right-side view, and therefore omitted.

The broken line portion of the figure drawings is included to show unclaimed subject matter only and forms no part of the claimed design.

1 Claim, 4 Drawing Sheets



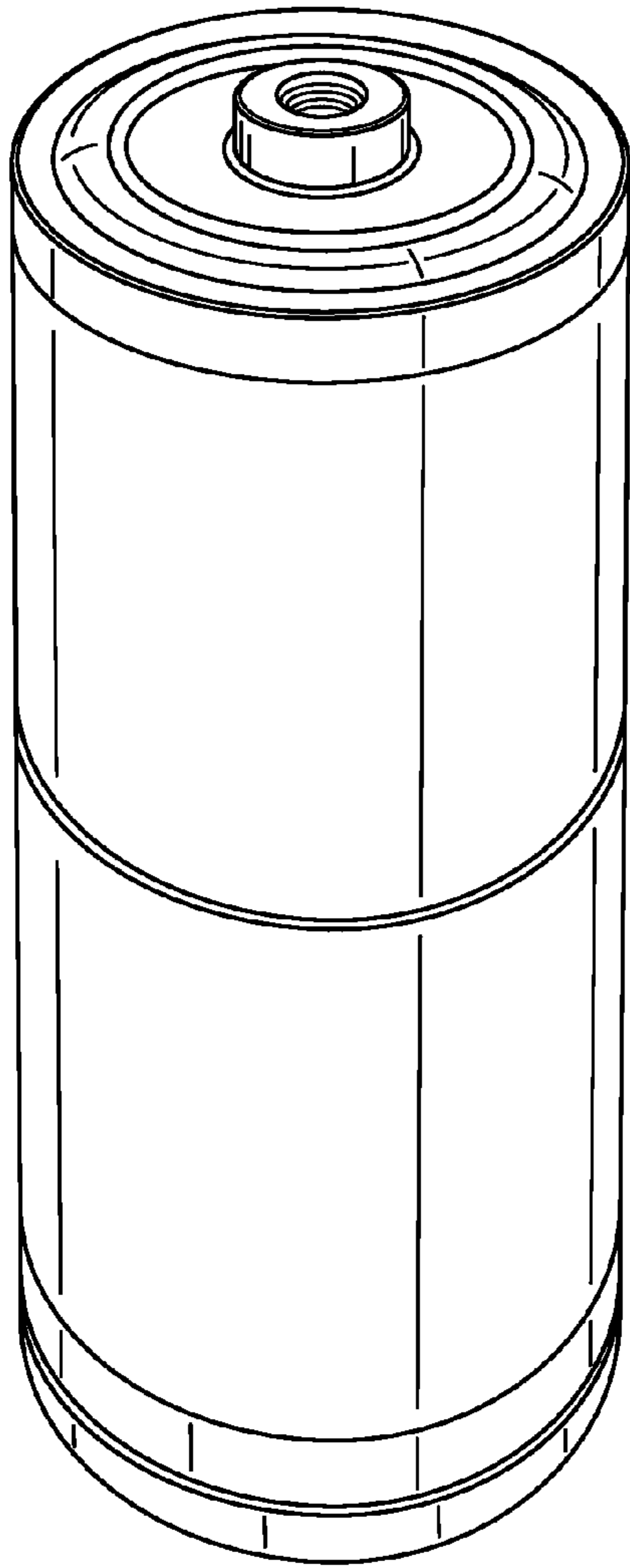


FIG. 1

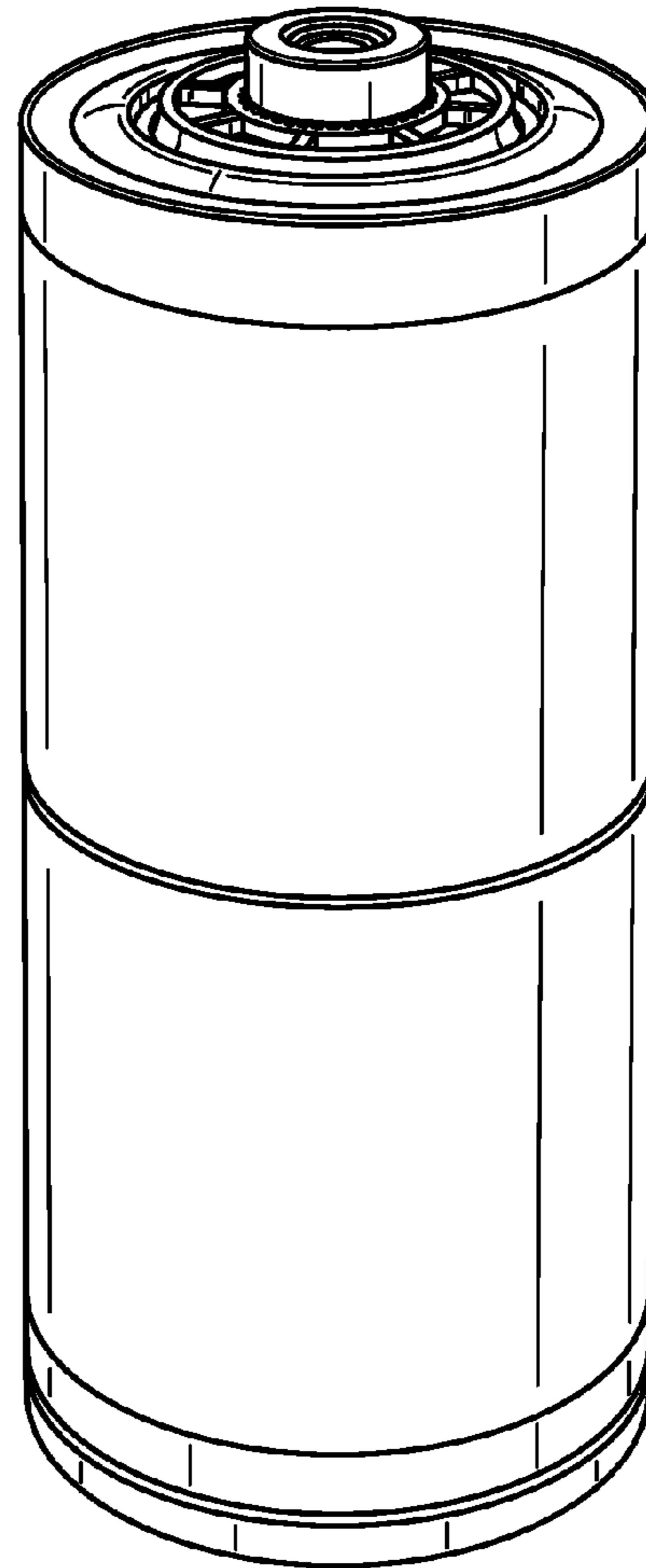


FIG. 2

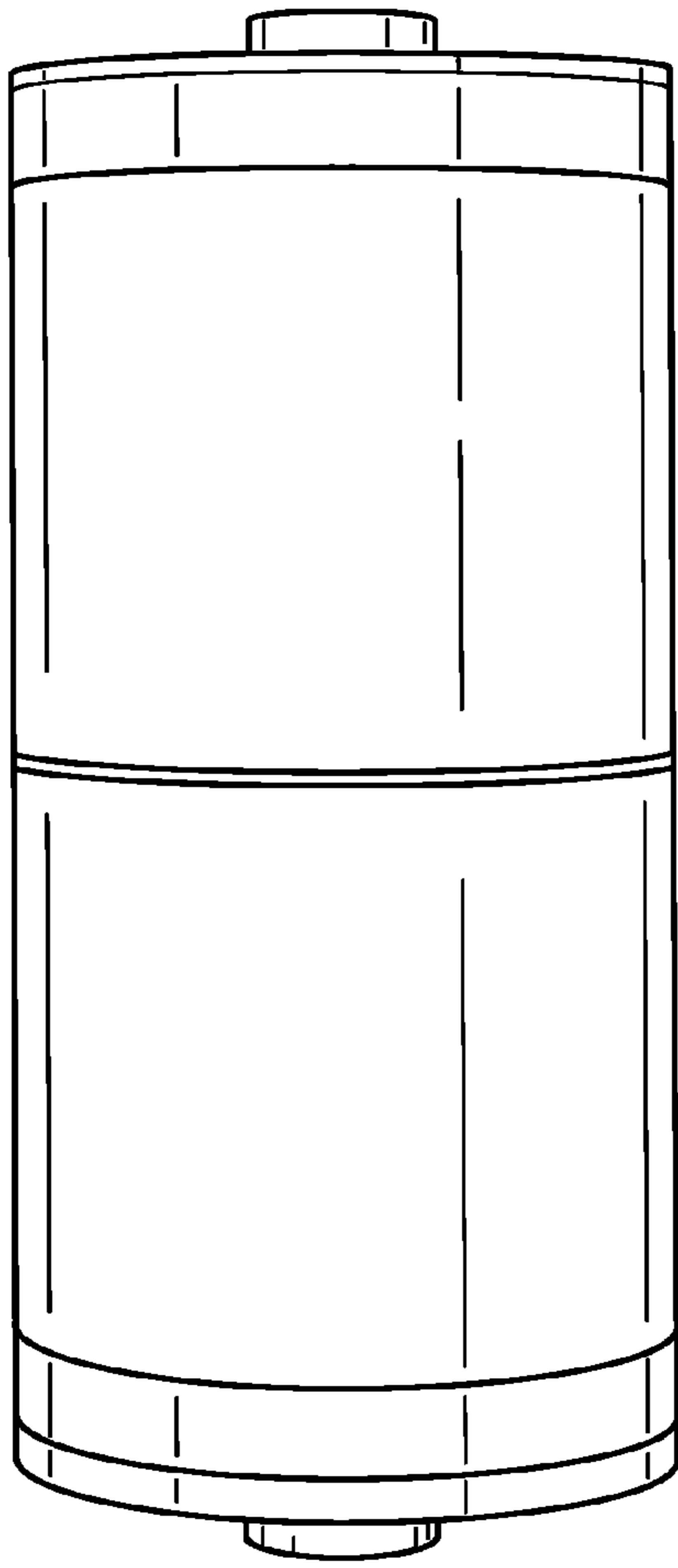


FIG. 3

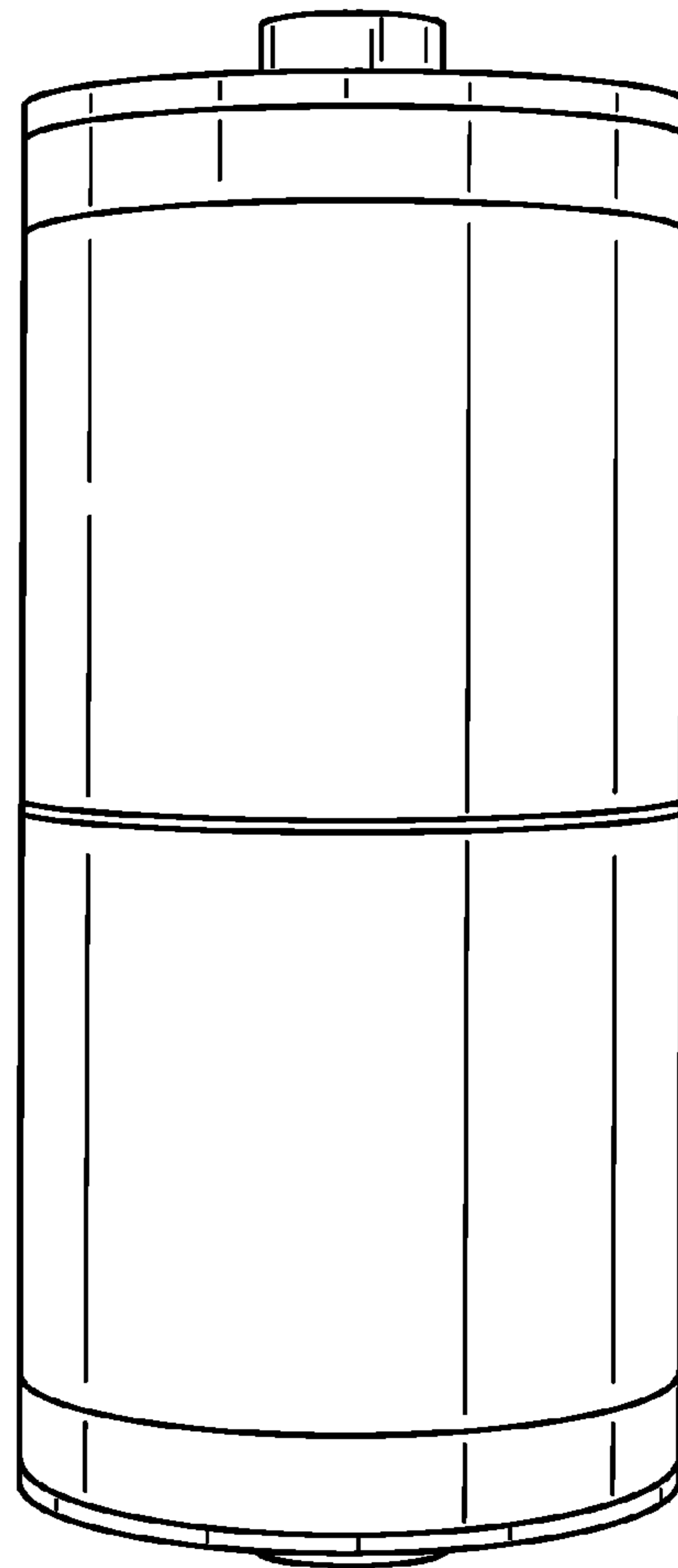


FIG. 4

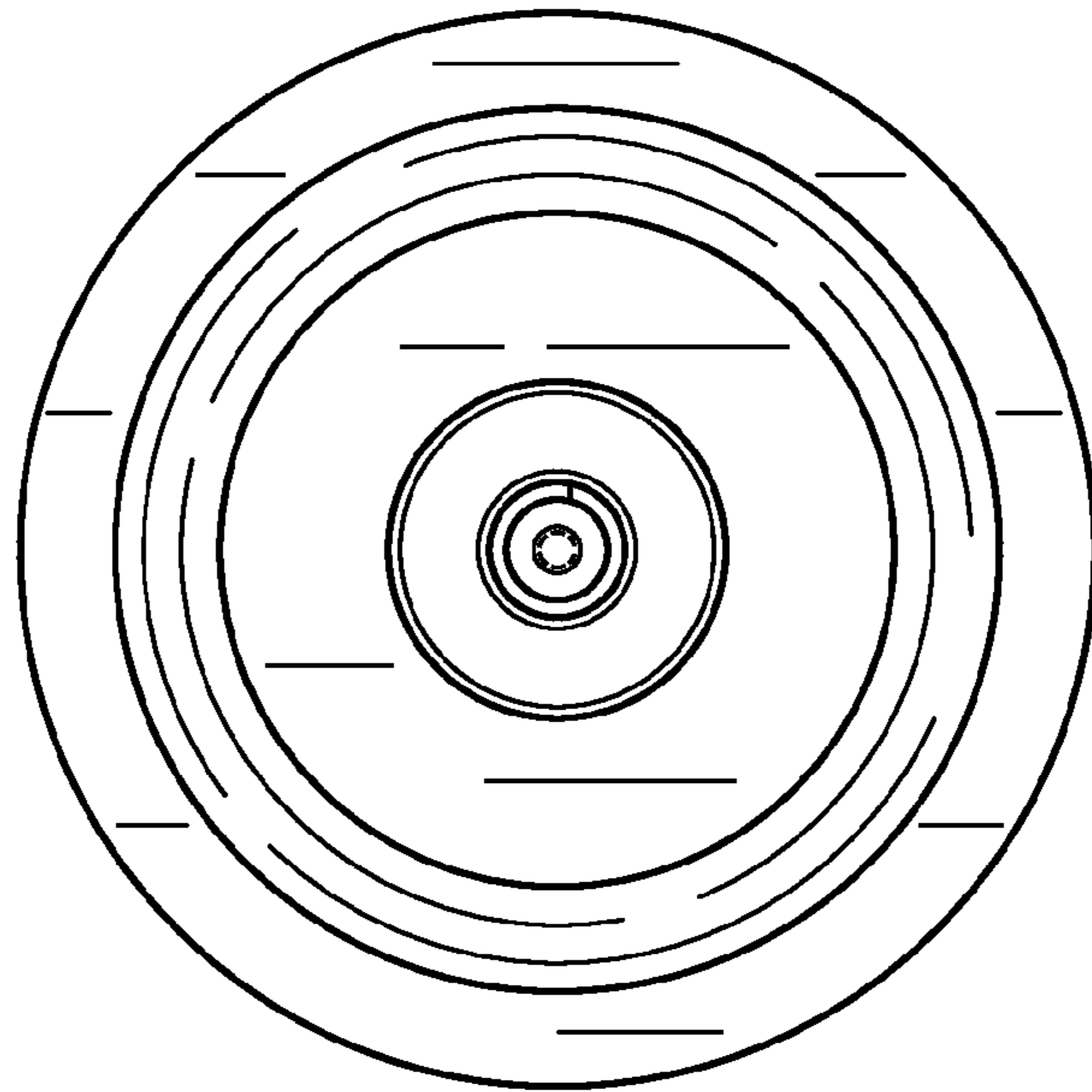


FIG. 5

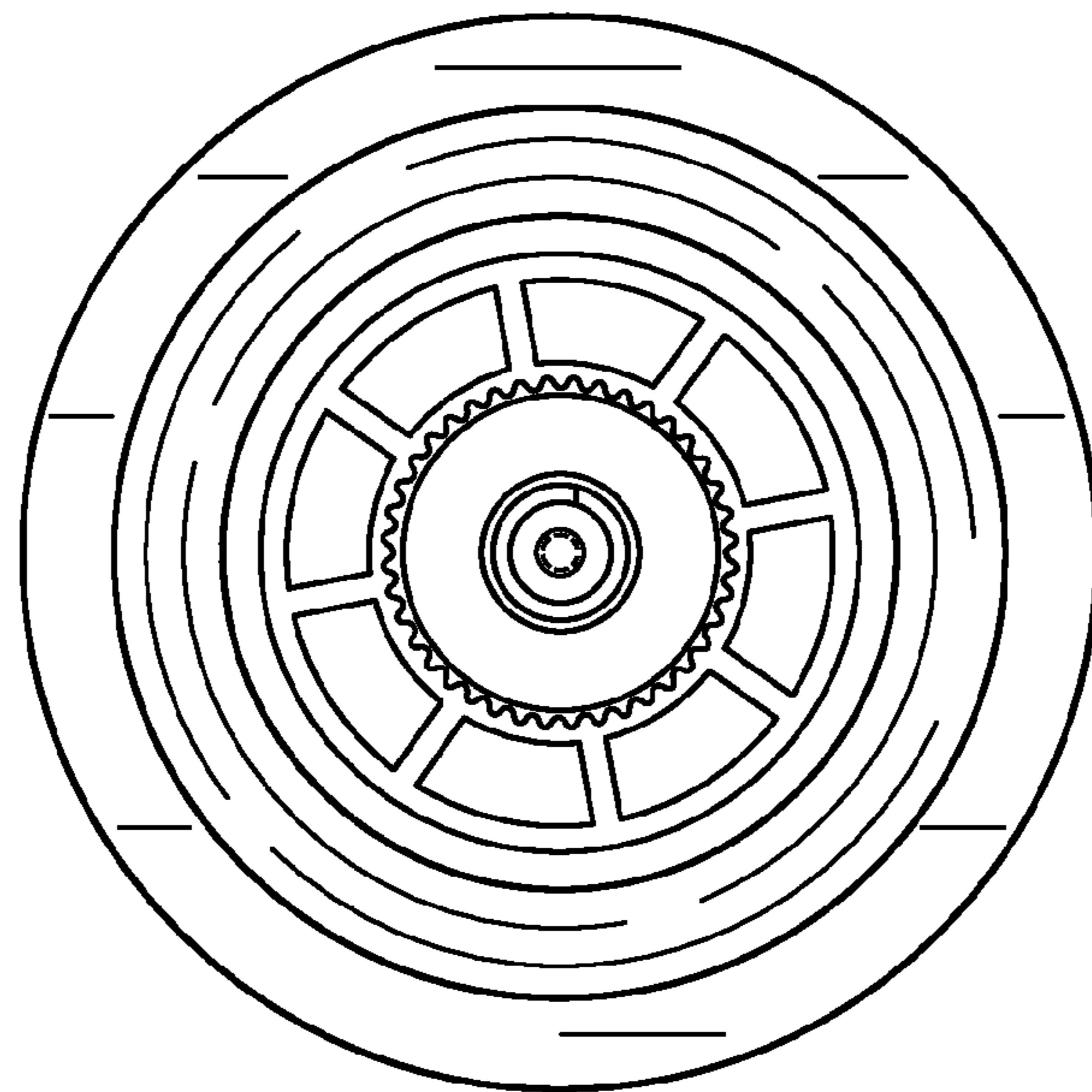


FIG. 6

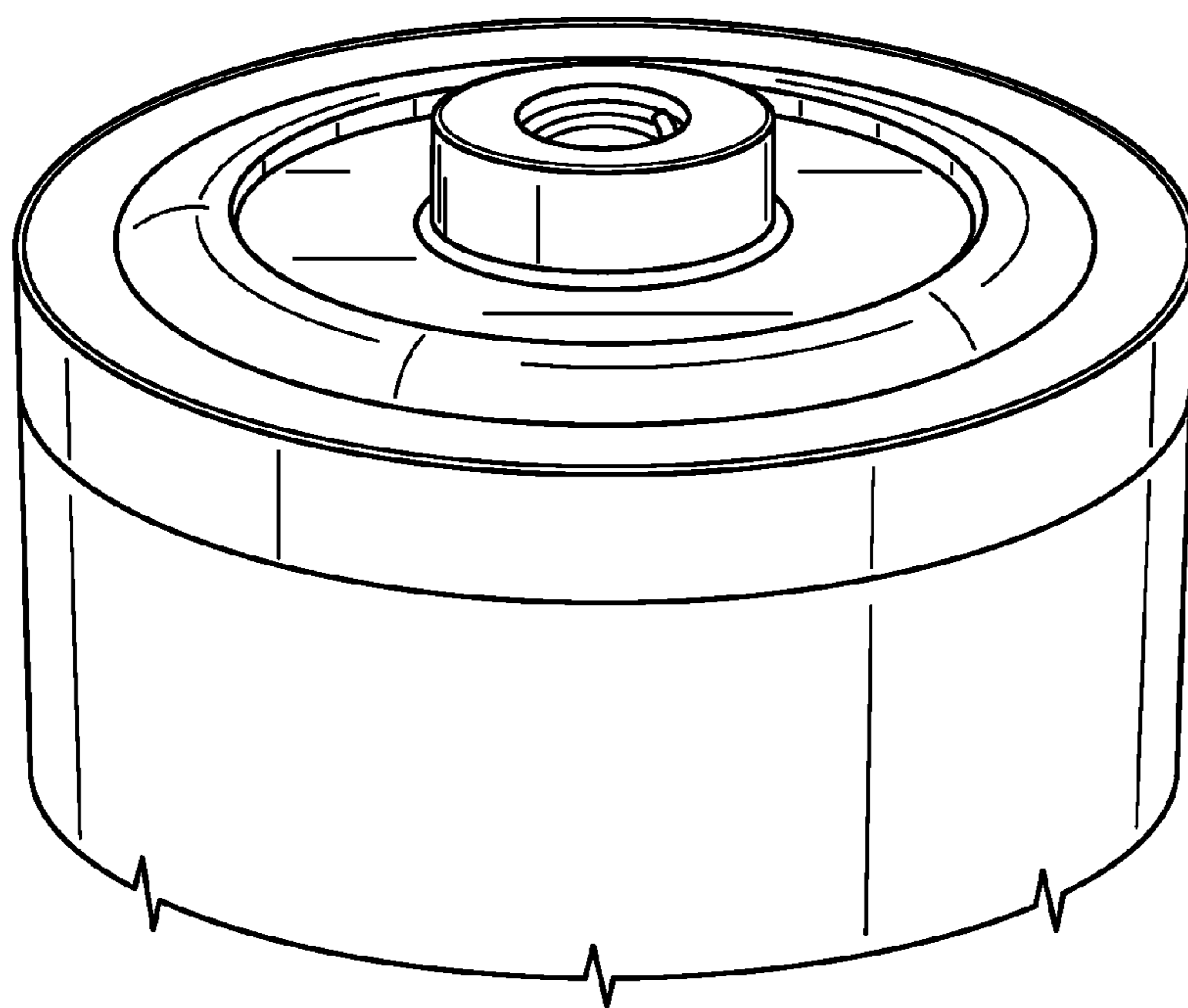


FIG. 7

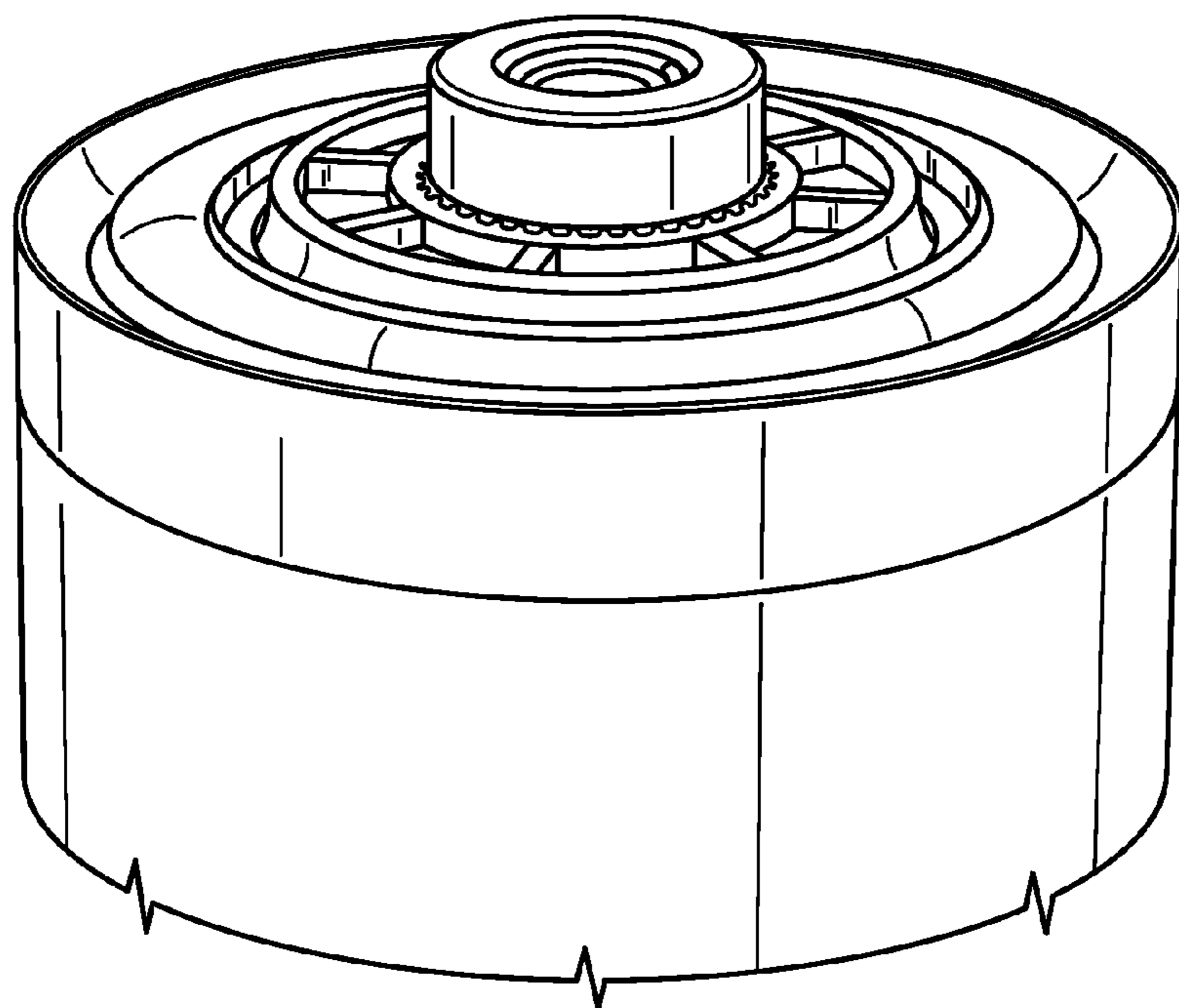


FIG. 8