



US00D680965S

(12) **United States Design Patent**
Yang et al.

(10) **Patent No.:** **US D680,965 S**

(45) **Date of Patent:** **** Apr. 30, 2013**

(54) **FIXING MECHANISM FOR FIXING A
CIRCUIT BOARD**

(75) Inventors: **Shang-Chih Yang**, New Taipei (TW);
Lin-Yu Lee, New Taipei (TW)

(73) Assignee: **Micro-Star Int'l Co., Ltd.**, Zhonghe Dist,
New Taipei (TW)

(**) Term: **14 Years**

(21) Appl. No.: **29/389,597**

(22) Filed: **Apr. 14, 2011**

(30) **Foreign Application Priority Data**

Jan. 31, 2011 (TW) 100202248

(51) **LOC (9) Cl.** **13-03**

(52) **U.S. Cl.**
USPC **D13/154**

(58) **Field of Classification Search** D13/120,
D13/147, 154, 184, 199; 439/607.01, 607.04,
439/607.05, 607.17, 607.25, 607.34, 607.41,
439/607.53, 839, 849, 850, 852, 862, 870,
439/877, 884, 885, 887, 888, 889, 890, 891

See application file for complete search history.

(56) **References Cited**

U.S. PATENT DOCUMENTS

D336,284	S	*	6/1993	Pruett et al.	D13/154
D516,524	S	*	3/2006	Su	D13/154
D553,084	S	*	10/2007	Huang et al.	D13/133
D553,085	S	*	10/2007	Kuan et al.	D13/133
D576,558	S	*	9/2008	Chiang	D13/154
D596,133	S	*	7/2009	Hemmi et al.	D13/154

* cited by examiner

Primary Examiner — Daniel Bui

(74) *Attorney, Agent, or Firm* — Winston Hsu; Scott Margo

(57) **CLAIM**

The ornamental design for a fixing mechanism for fixing a circuit board, as shown and described.

DESCRIPTION

FIG. 1 is a fixing mechanism for fixing a circuit board showing our new design;

FIG. 2 is a rear elevation view thereof;

FIG. 3 is a left side elevation view thereof;

FIG. 4 is a right side elevation view thereof;

FIG. 5 is a top plan view thereof;

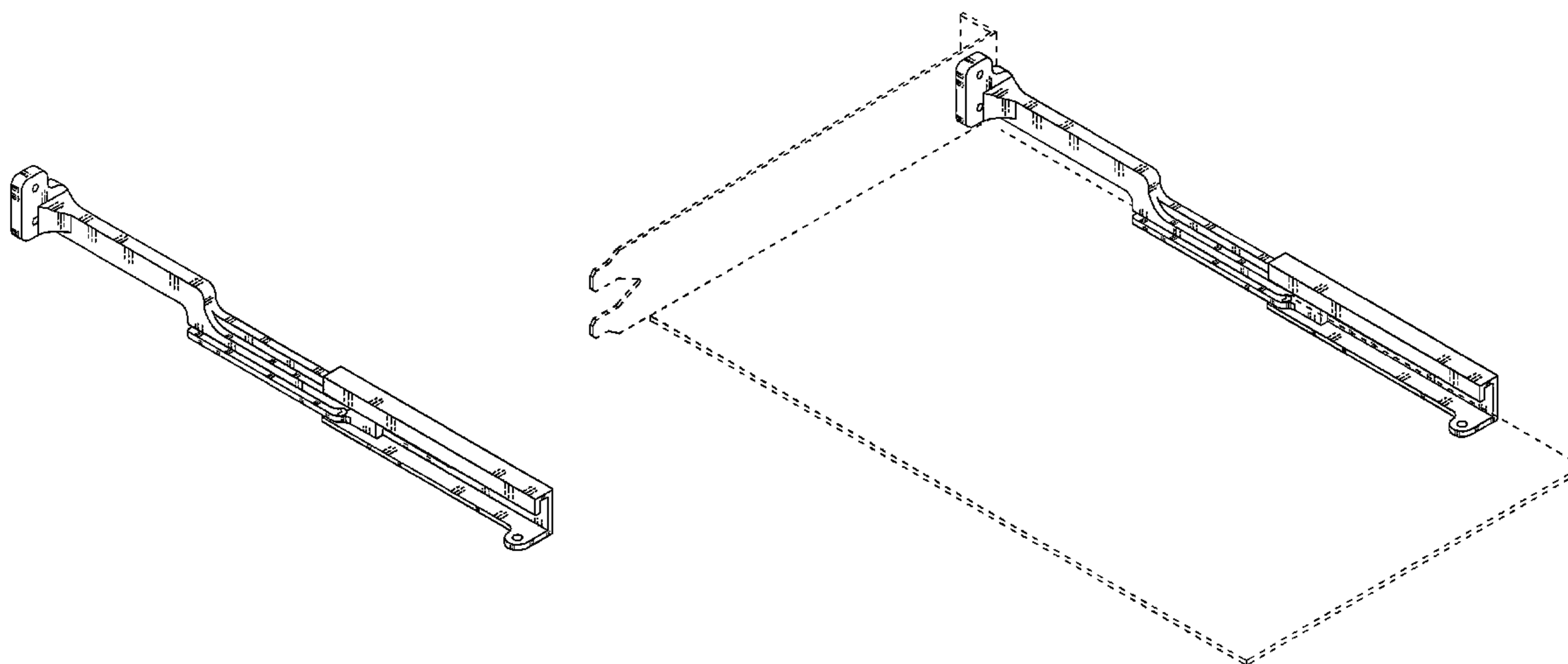
FIG. 6 is a bottom plan view thereof;

FIG. 7 is a top, front, and right side perspective view thereof; and,

FIG. 8 is a top, front, and right side perspective view thereof, in use condition.

The broken line in FIG. 8 is included to show unclaimed environment only and forms no part of the claimed design.

1 Claim, 8 Drawing Sheets



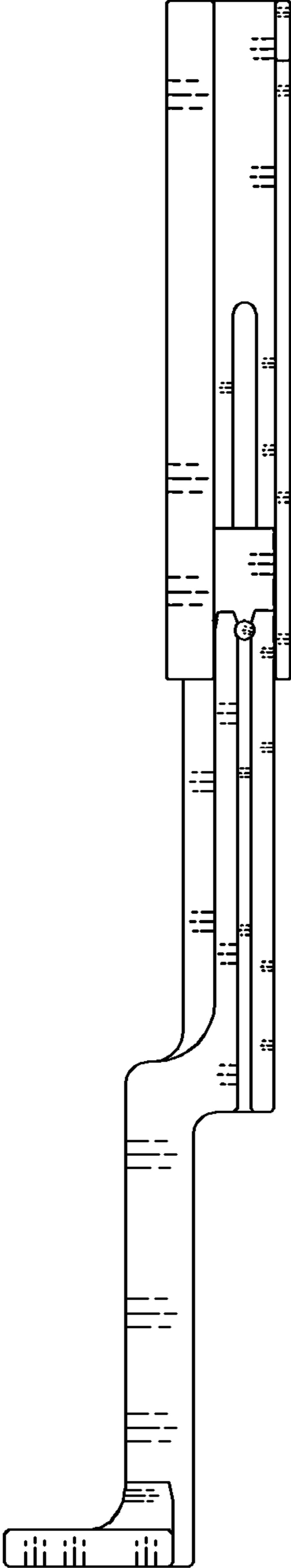


FIG. 1

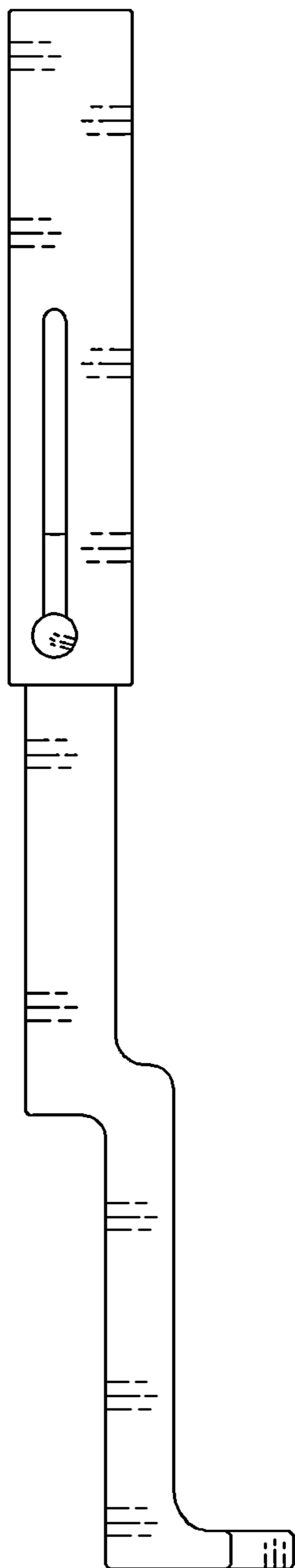


FIG. 2

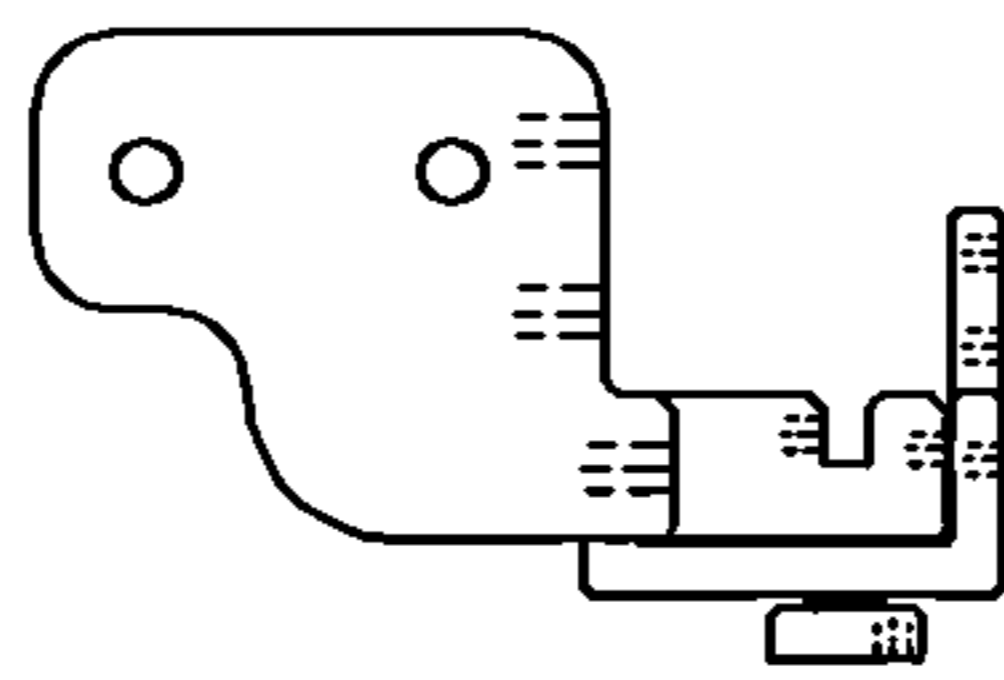


FIG. 3

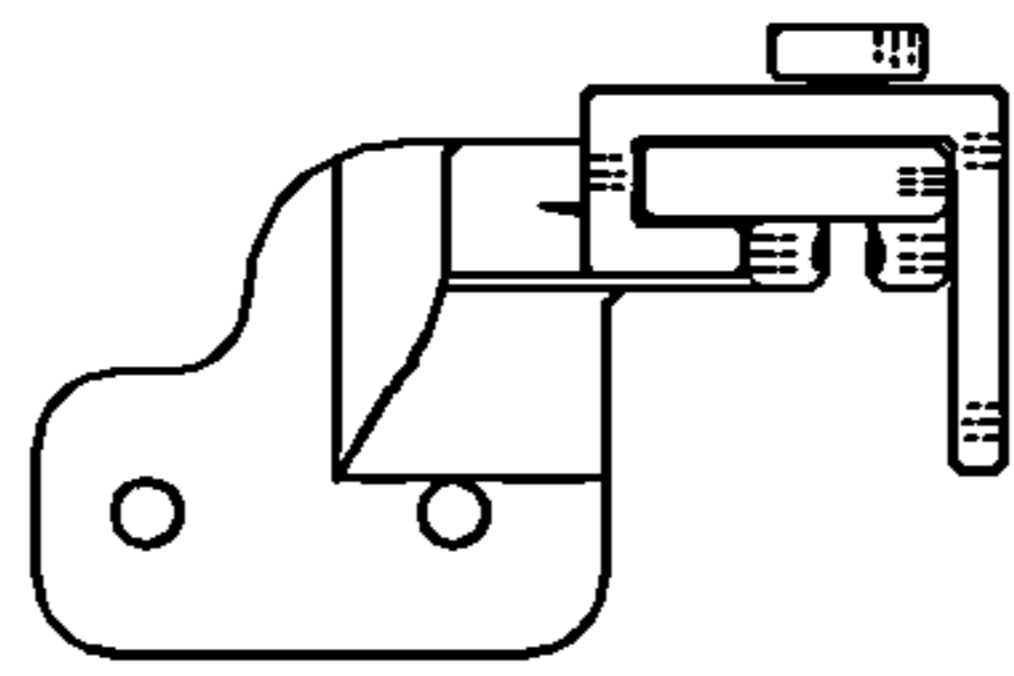


FIG. 4

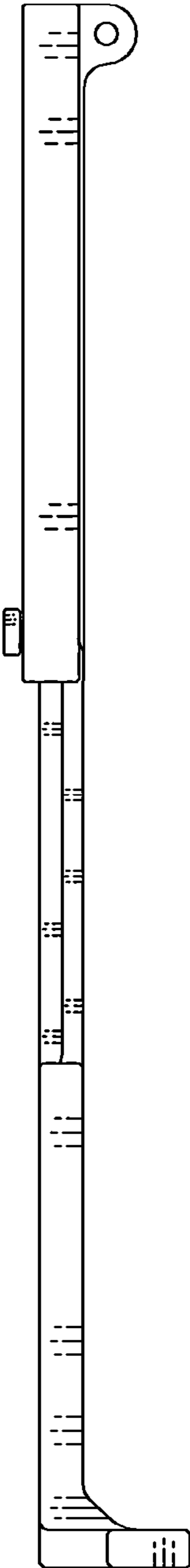


FIG. 5

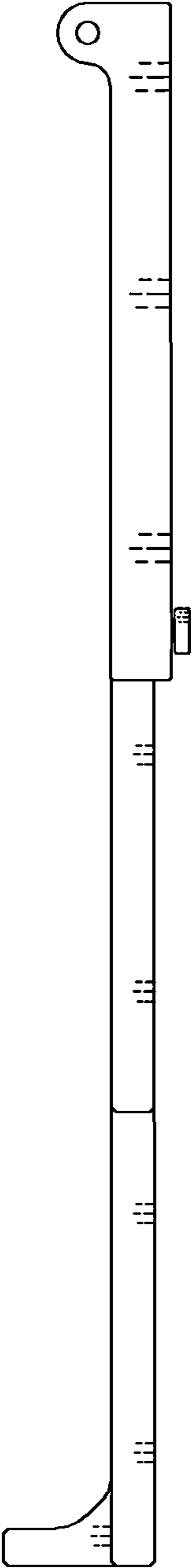


FIG. 6

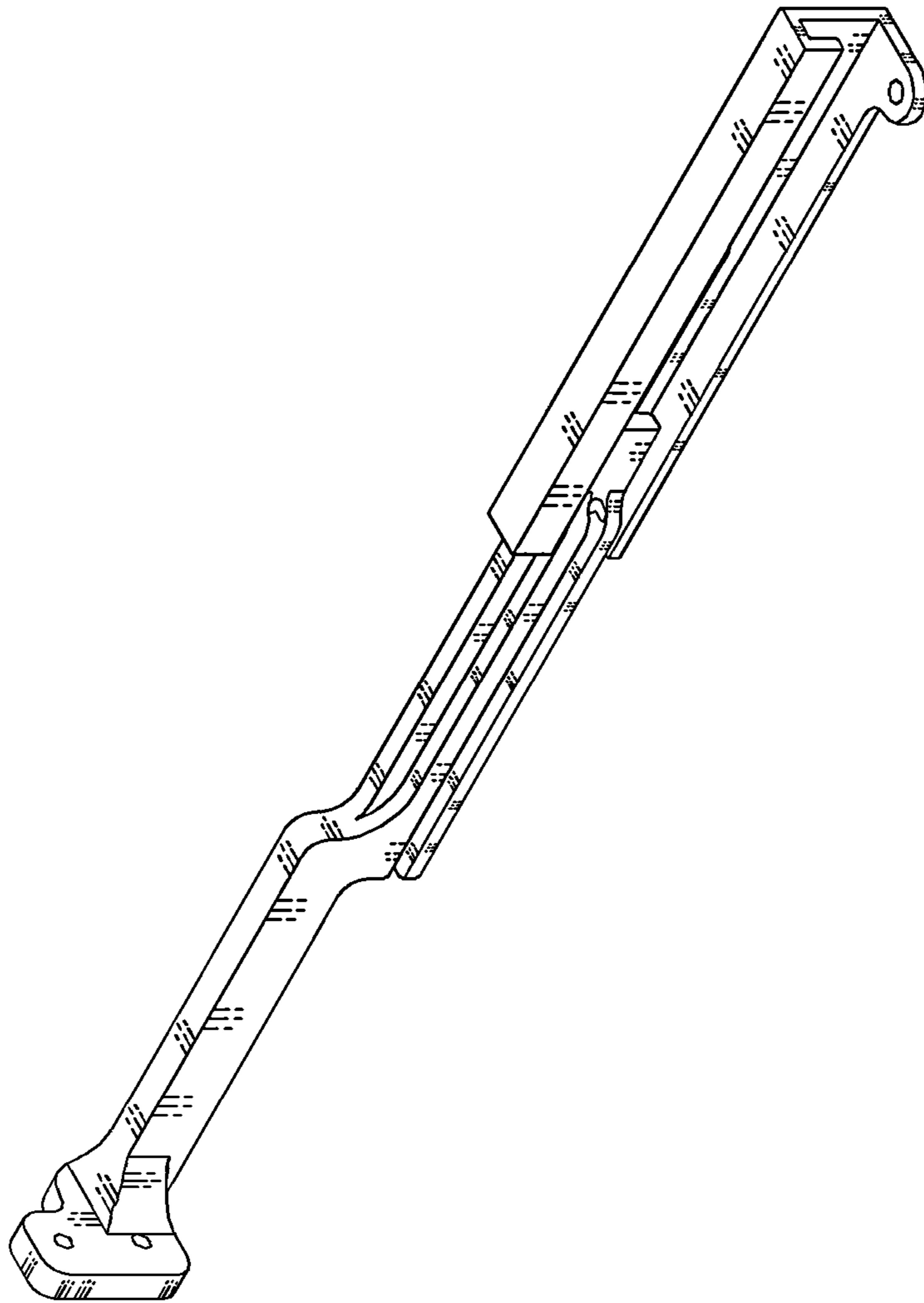


FIG. 7

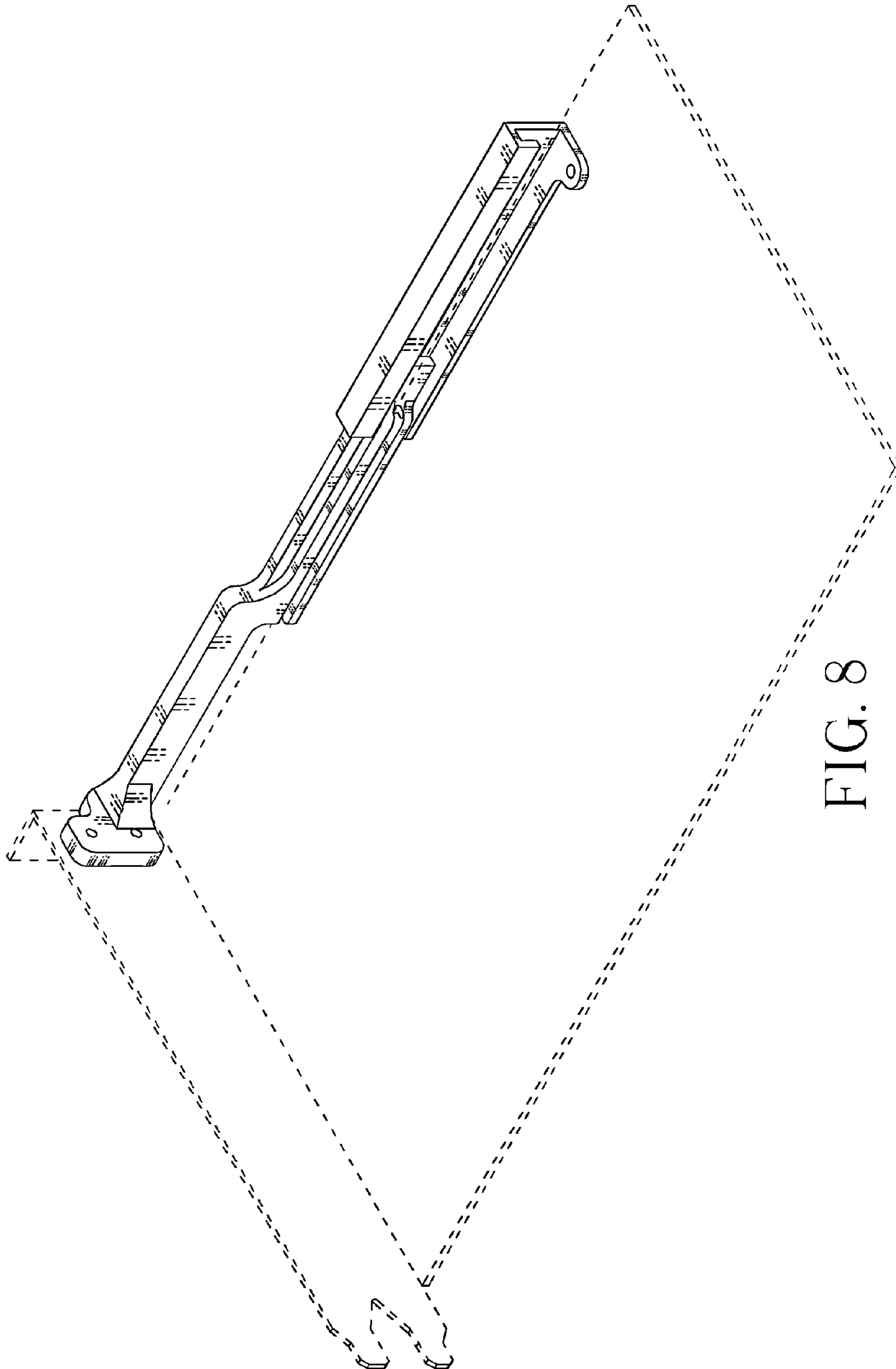


FIG. 8