



US00D680964S

(12) **United States Design Patent**
Haberek

(10) **Patent No.:** **US D680,964 S**

(45) **Date of Patent:** **** Apr. 30, 2013**

(54) **GROUND BLOCK**

(75) Inventor: **Andrew Haberek**, Baldwinsville, NY
(US)

(73) Assignee: **PPC Broadband, Inc.**, East Syracuse,
NY (US)

(**) Term: **14 Years**

(21) Appl. No.: **29/430,913**

(22) Filed: **Aug. 31, 2012**

(51) **LOC (9) Cl.** **13-03**

(52) **U.S. Cl.**
USPC **D13/151**

(58) **Field of Classification Search** D13/151,
D13/133, 149, 150, 154, 156, 184, 199; D8/382,
D8/387; 439/63, 74, 79, 108, 271, 275, 284,
439/289, 578, 581, 583
See application file for complete search history.

(56) **References Cited**

U.S. PATENT DOCUMENTS

6,106,304 A * 8/2000 Huang 439/63
6,283,771 B1 * 9/2001 Mitchell et al. 439/95
D459,304 S * 6/2002 Malin D13/133

D469,742 S * 2/2003 Michon et al. D13/151
D470,113 S * 2/2003 Brower et al. D13/154
D556,693 S * 12/2007 Montena D13/151
D581,877 S * 12/2008 Kiely D13/151

* cited by examiner

Primary Examiner — Derrick Holland

(74) *Attorney, Agent, or Firm* — Schmeiser, Olsen & Watts
LLP

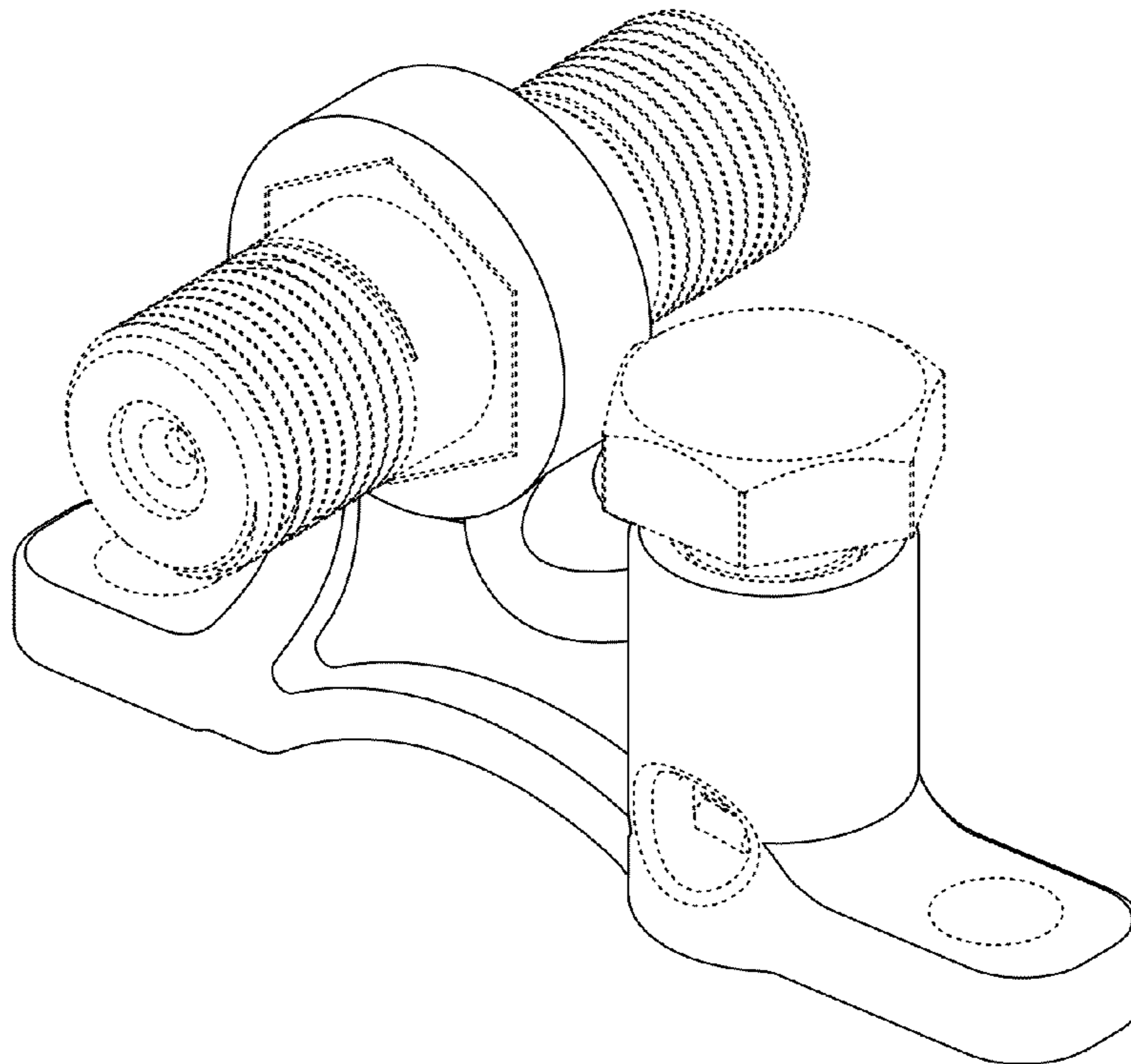
(57) **CLAIM**

The ornamental design for a ground block, as shown and
described.

DESCRIPTION

FIG. 1 is a front perspective view of my new design for a
ground block;
FIG. 2 is a top plan view thereof;
FIG. 3 is a bottom plan view thereof;
FIG. 4 is a left side elevation view thereof;
FIG. 5 is a right side elevation view thereof;
FIG. 6 is a front elevation view thereof; and,
FIG. 7 is a back elevation view thereof.
The broken line portions of the figure drawings represent
unclaimed matter and form no part of the claimed design.

1 Claim, 7 Drawing Sheets



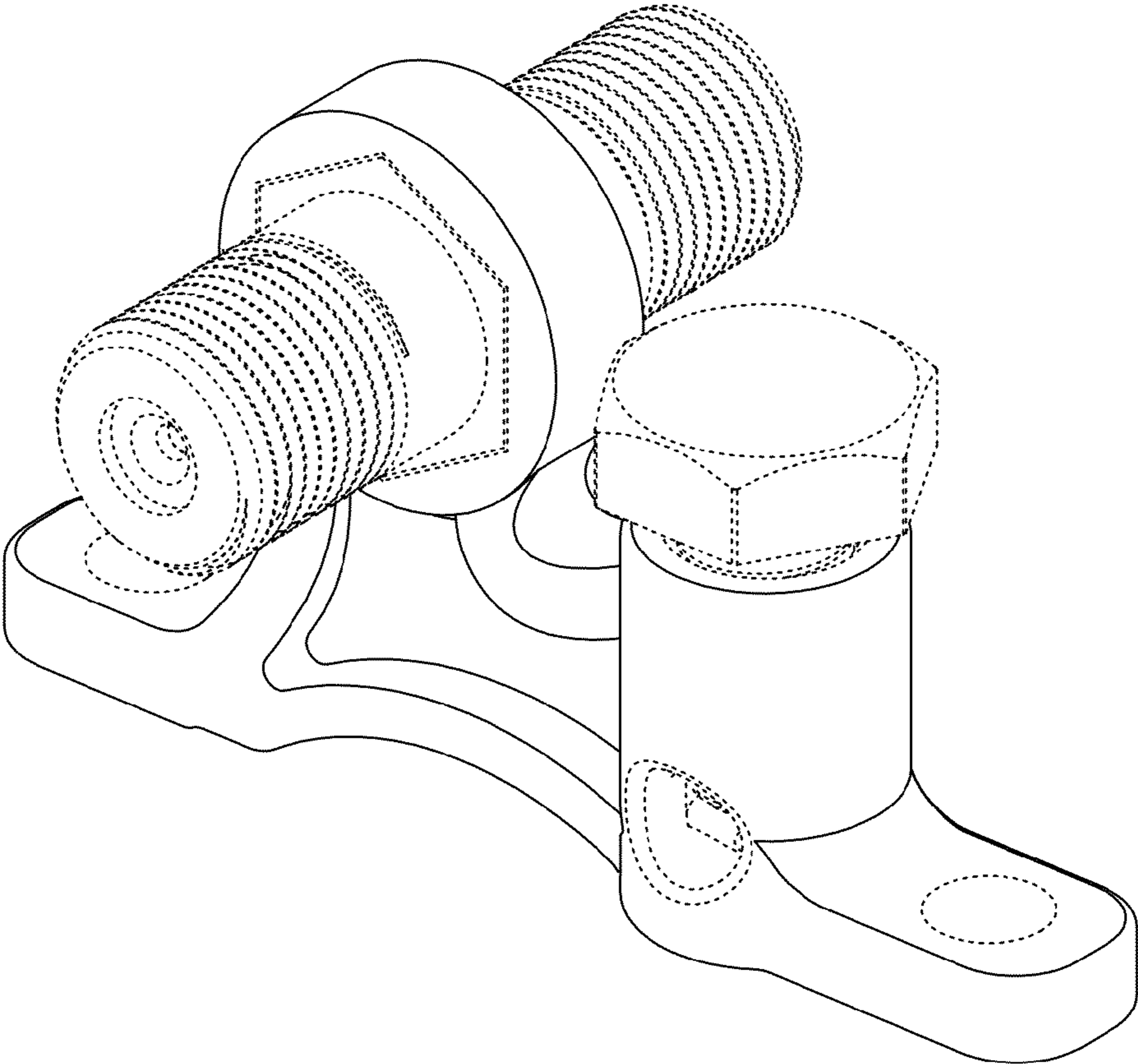


FIG. 1

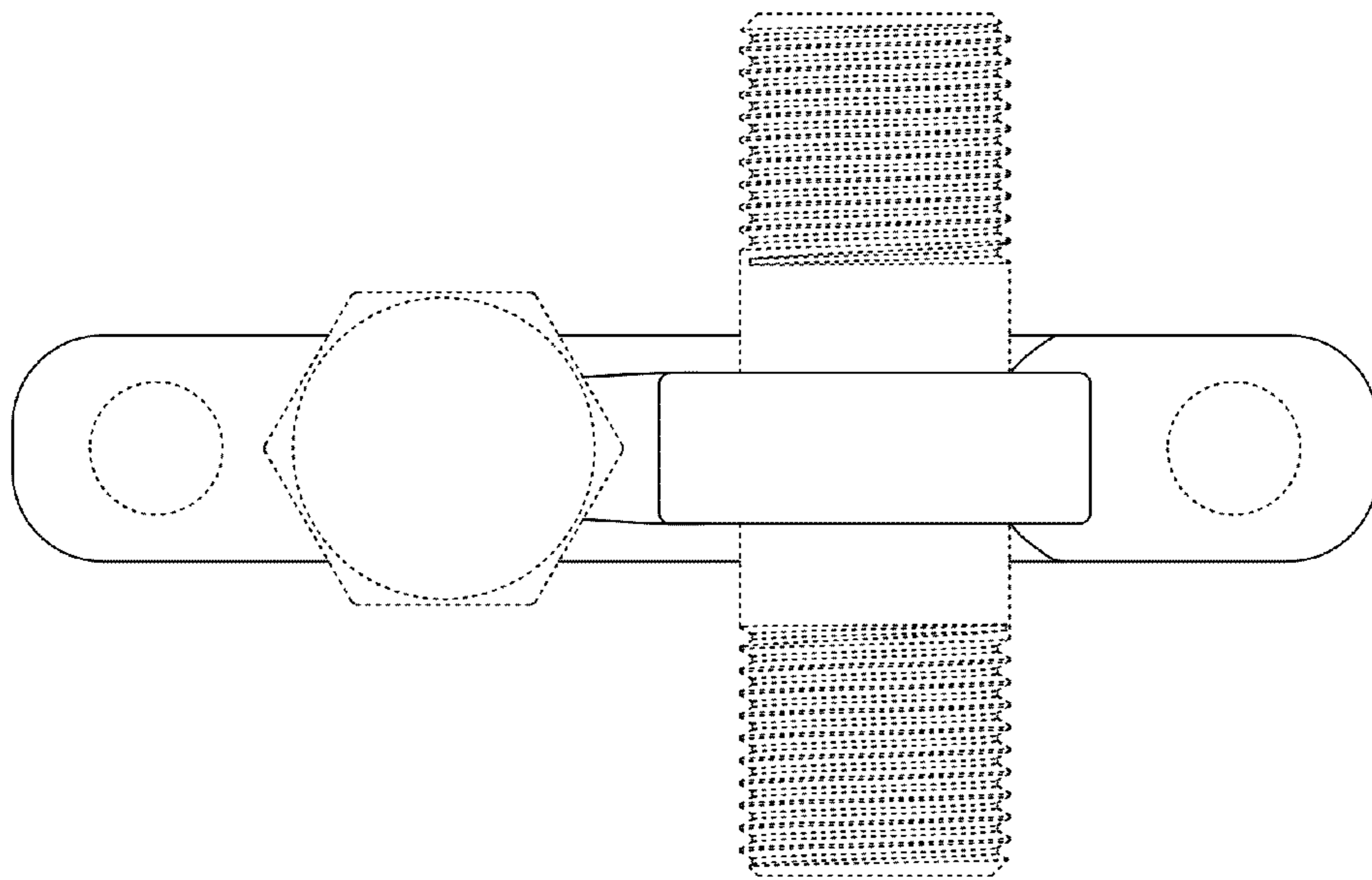


FIG. 2

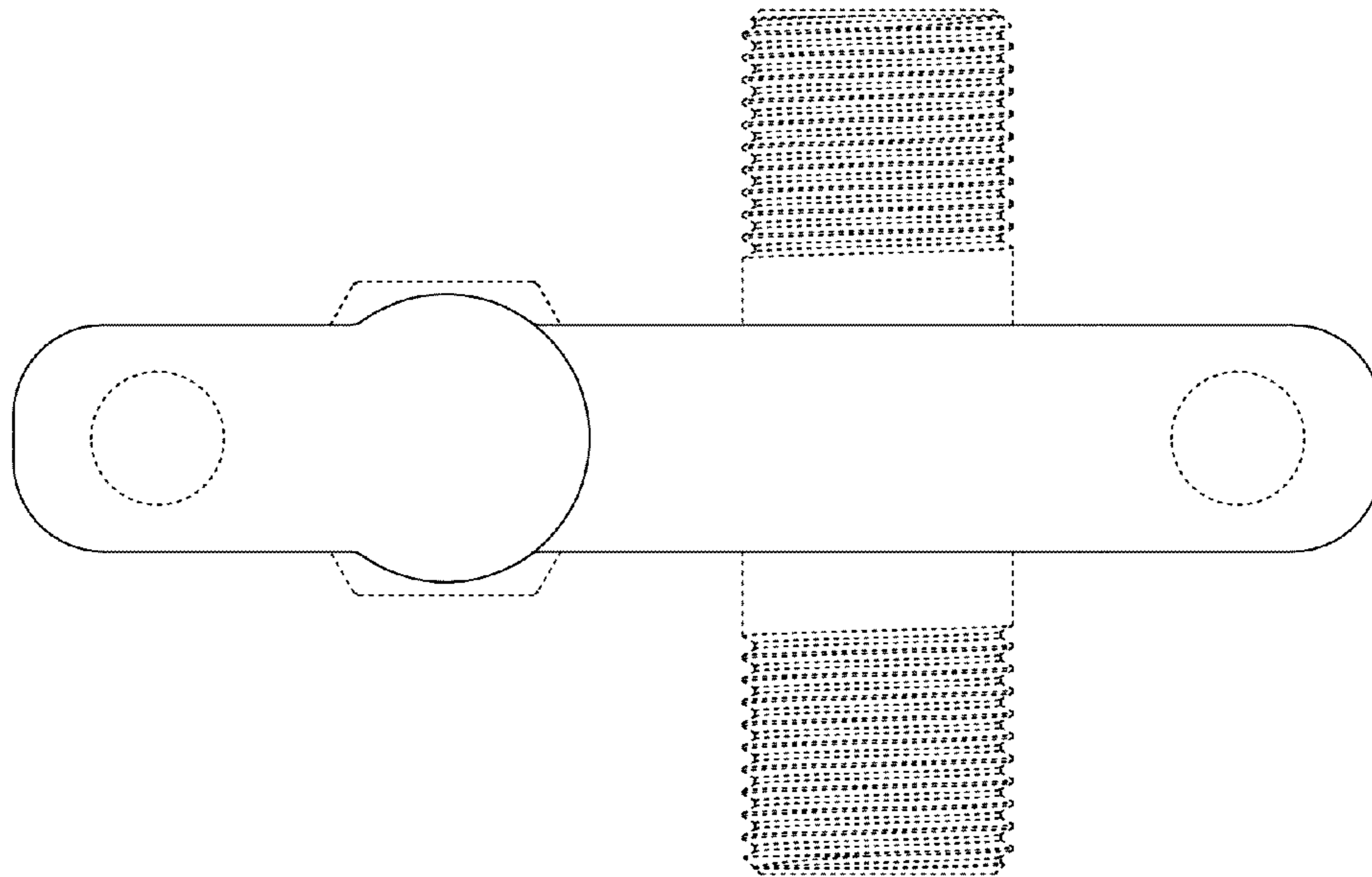


FIG. 3

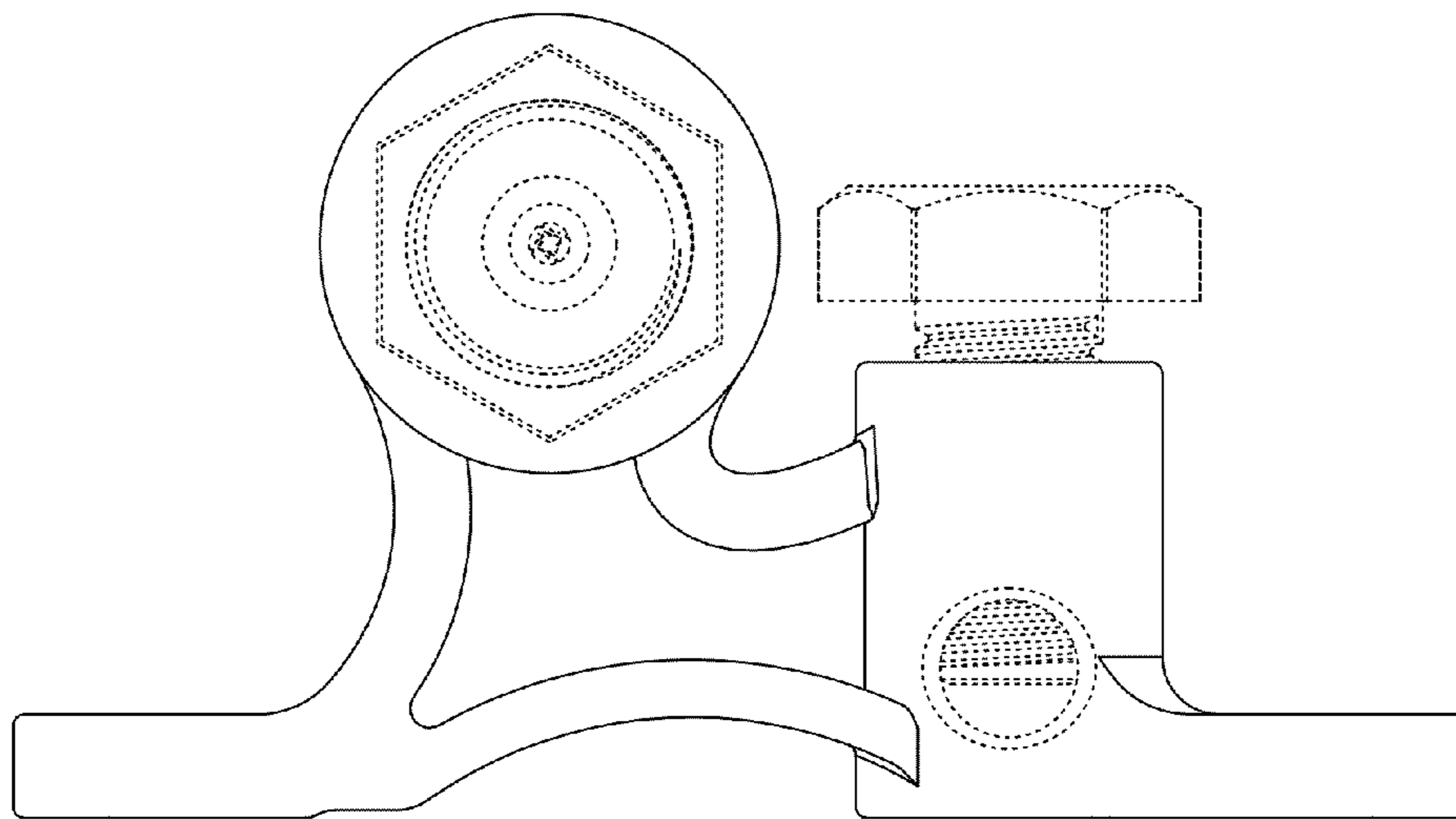


FIG. 4

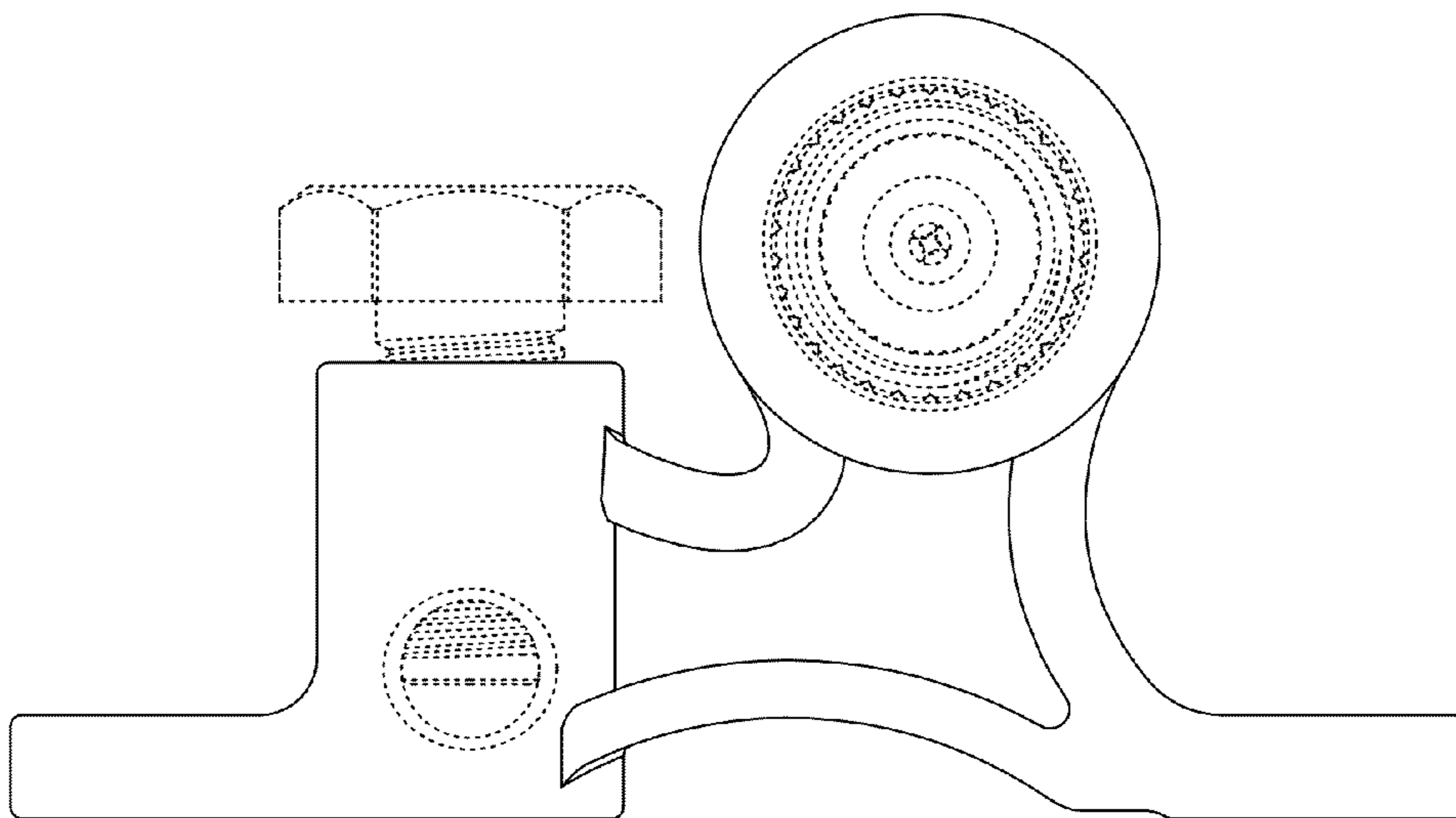


FIG. 5

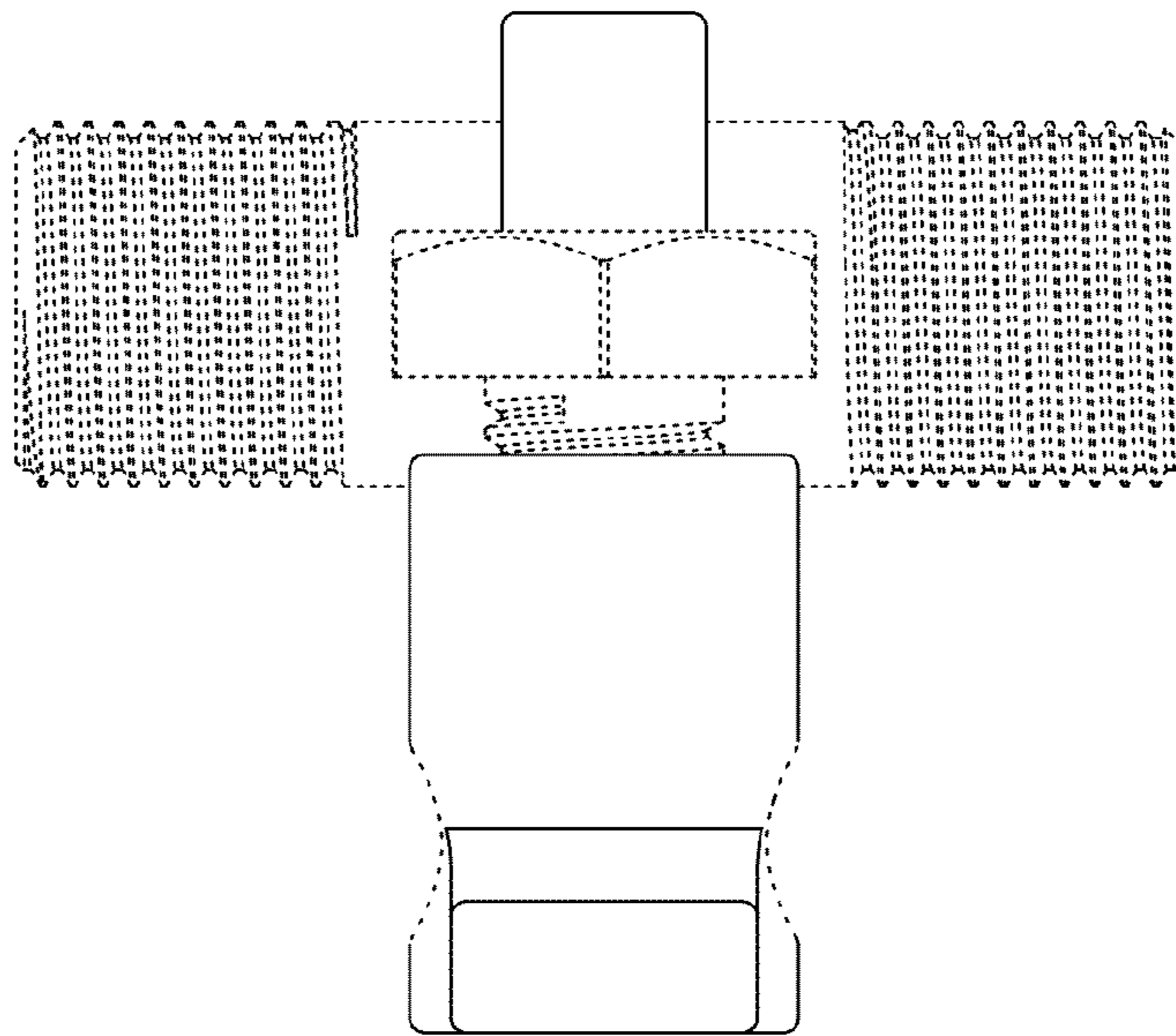


FIG. 6

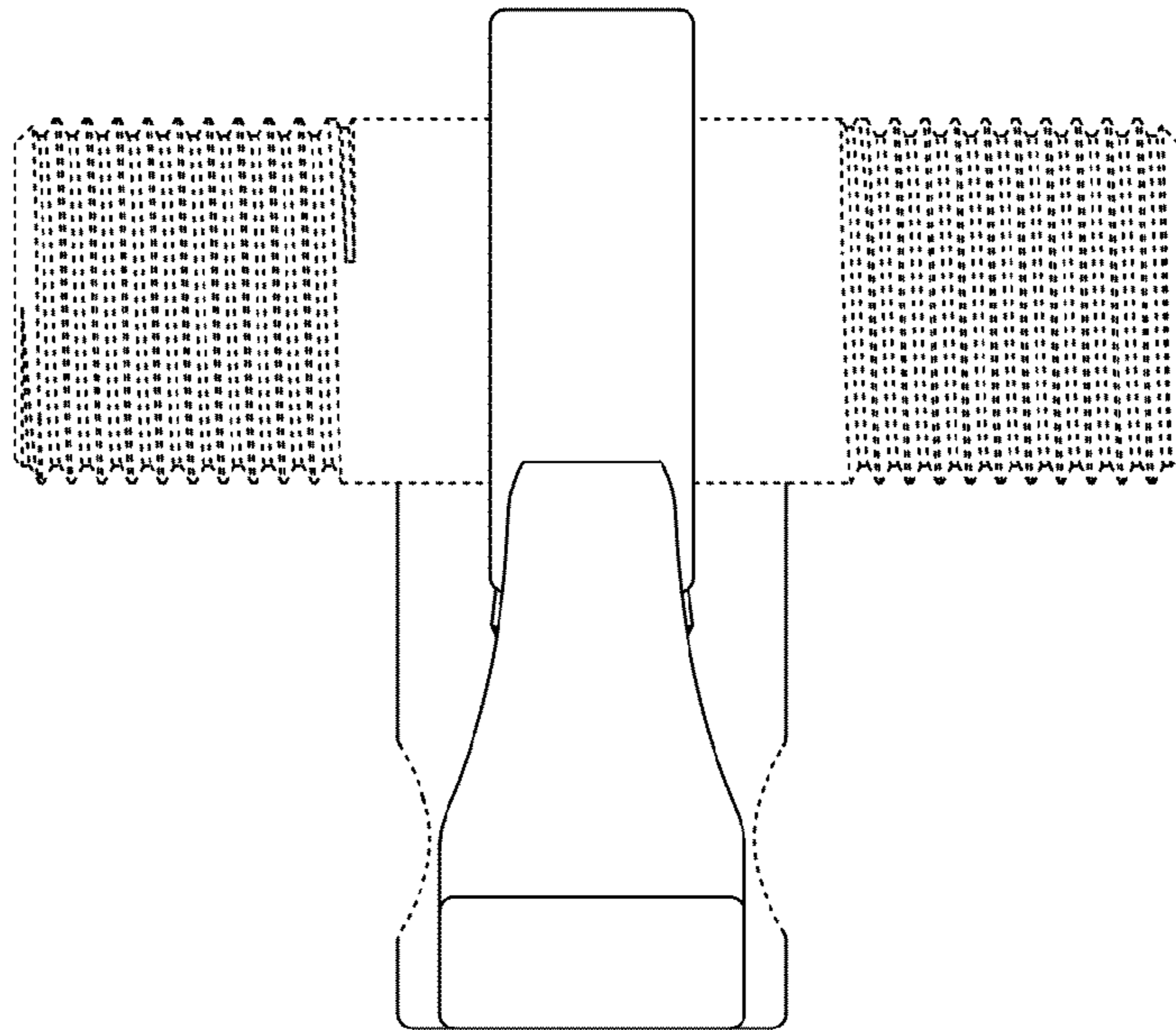


FIG. 7