



US00D680963S

(12) **United States Design Patent**  
**Purdy**

(10) **Patent No.:** **US D680,963 S**

(45) **Date of Patent:** **\*\* Apr. 30, 2013**

(54) **COAXIAL CABLE CONNECTOR**

(75) **Inventor:** **Eric Purdy**, Constantia, NY (US)

(73) **Assignee:** **PPC Broadband, Inc.**, East Syracuse, NY (US)

(\*\*) **Term:** **14 Years**

(21) **Appl. No.:** **29/399,866**

(22) **Filed:** **Aug. 19, 2011**

(51) **LOC (9) Cl.** ..... **13-03**

(52) **U.S. Cl.**

USPC ..... **D13/151**

(58) **Field of Classification Search** ..... D13/151,  
D13/133, 149, 150, 153, 154, 156, 184, 199;  
439/180, 207, 208, 253–257, 374, 378, 380,  
439/527, 543, 578, 583, 585, 753, 805, 894,  
439/901

See application file for complete search history.

(56) **References Cited**

**U.S. PATENT DOCUMENTS**

|           |      |         |         |       |         |
|-----------|------|---------|---------|-------|---------|
| 1,971,500 | A *  | 8/1934  | Palmer  | ..... | 285/116 |
| D432,088  | S *  | 10/2000 | Malak   | ..... | D13/154 |
| D475,977  | S *  | 6/2003  | Montena | ..... | D13/151 |
| D517,496  | S *  | 3/2006  | Montena | ..... | D13/151 |
| 7,144,273 | B1 * | 12/2006 | Chawgo  | ..... | 439/583 |

|              |      |         |                  |       |         |
|--------------|------|---------|------------------|-------|---------|
| D556,693     | S *  | 12/2007 | Montena          | ..... | D13/151 |
| D569,809     | S *  | 5/2008  | Montena          | ..... | D13/151 |
| D584,227     | S *  | 1/2009  | Strickland, Jr.  | ..... | D13/133 |
| D605,135     | S *  | 12/2009 | Malloy           | ..... | D13/151 |
| 2003/0162439 | A1 * | 8/2003  | Rodrigues et al. | ..... | 439/578 |
| 2008/0248688 | A1 * | 10/2008 | Amidon           | ..... | 439/578 |

\* cited by examiner

*Primary Examiner* — Derrick Holland

(74) *Attorney, Agent, or Firm* — Schmeiser, Olsen & Watts LLP

(57) **CLAIM**

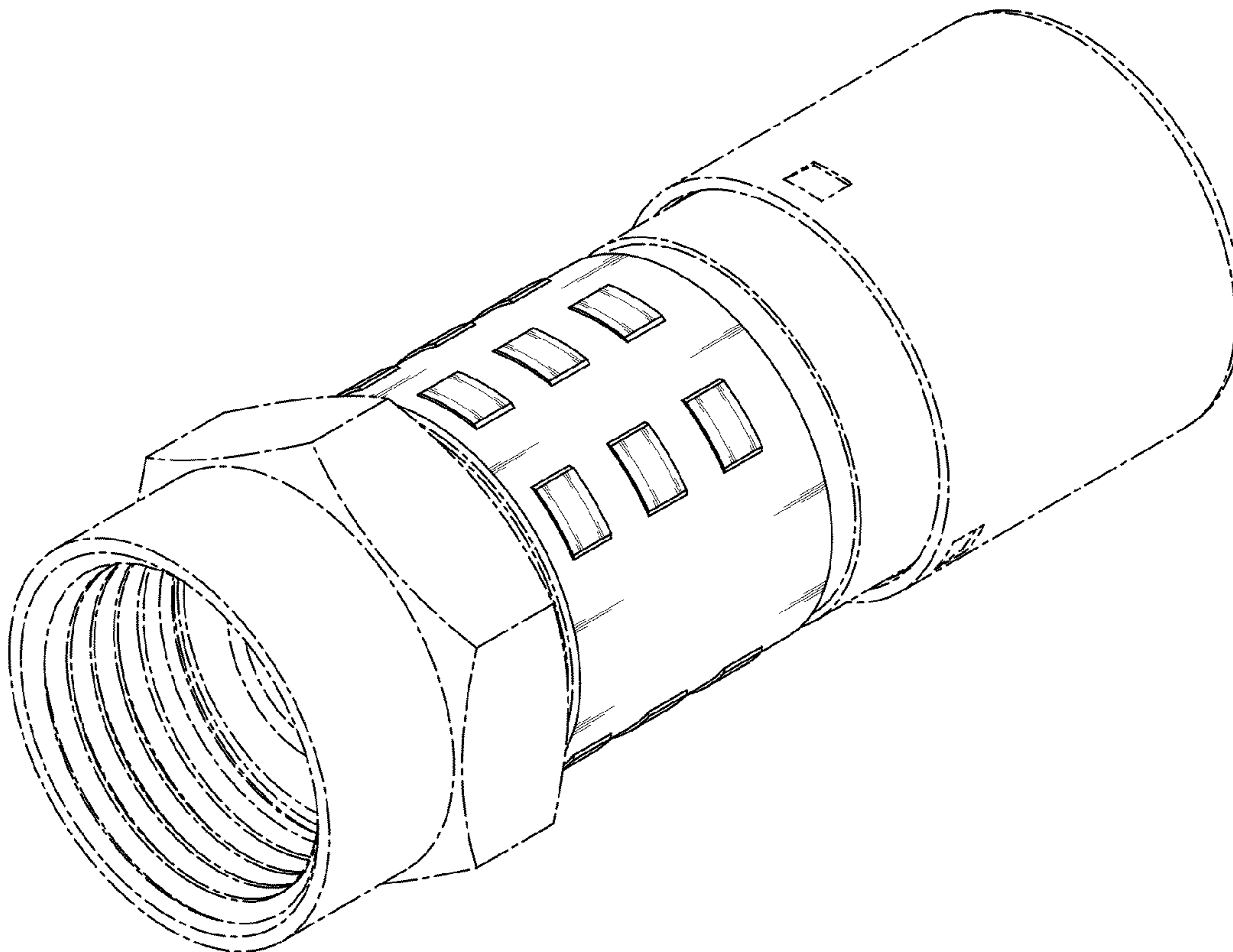
The ornamental design for a coaxial cable connector, as shown and described.

**DESCRIPTION**

FIG. 1 is a top, front perspective view of a coaxial cable connector showing my new design; FIG. 2 is a front elevation view thereof; FIG. 3 is a back elevation view thereof; FIG. 4 is a left side elevation view thereof, the right side elevation view being a mirror image thereto; and, FIG. 5 is a top plan view thereof, the bottom plan view being a mirror image thereto.

The dash-dot line portion of the figure drawings is included to show unclaimed subject matter only and forms no part of the claimed design.

**1 Claim, 2 Drawing Sheets**



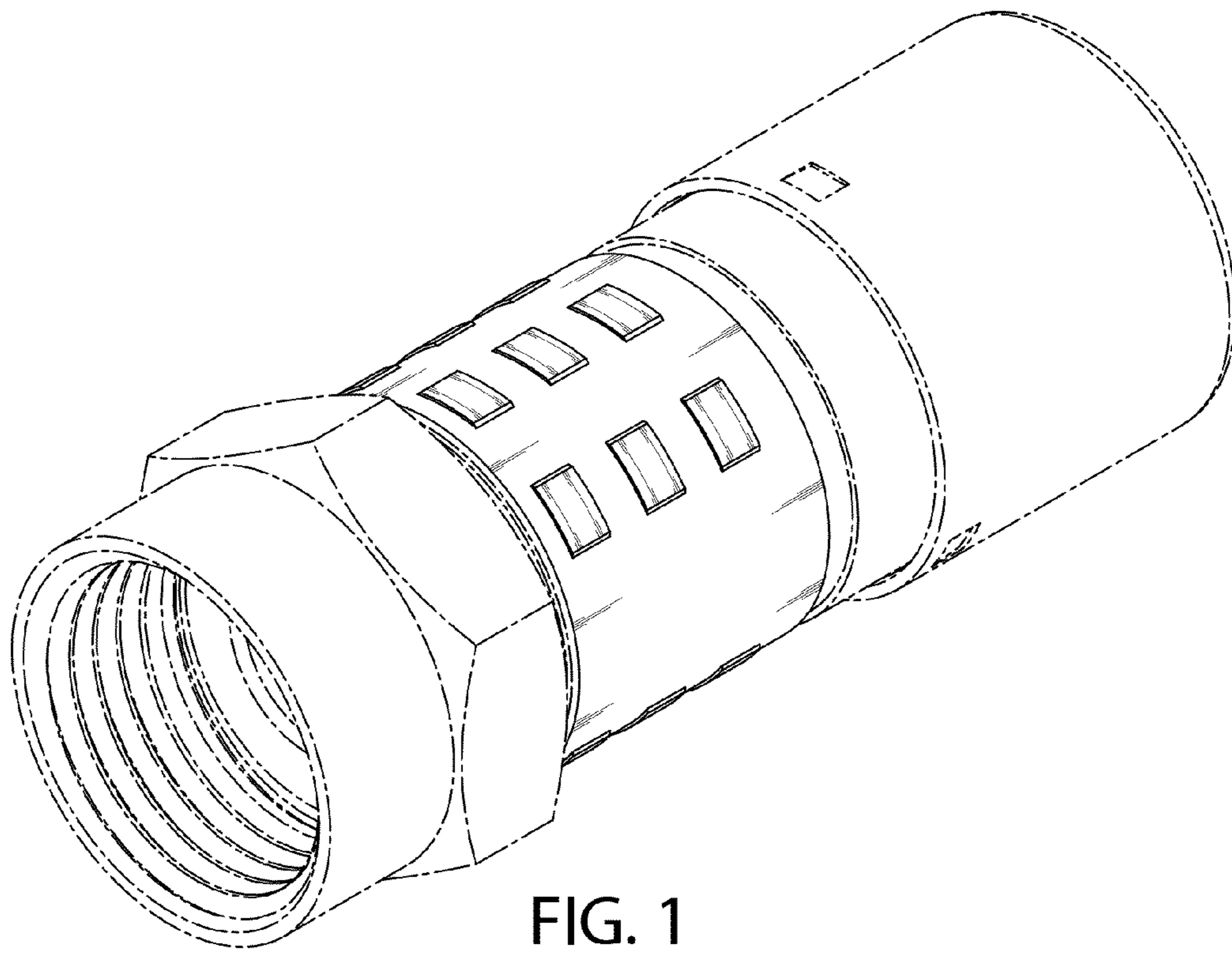


FIG. 1

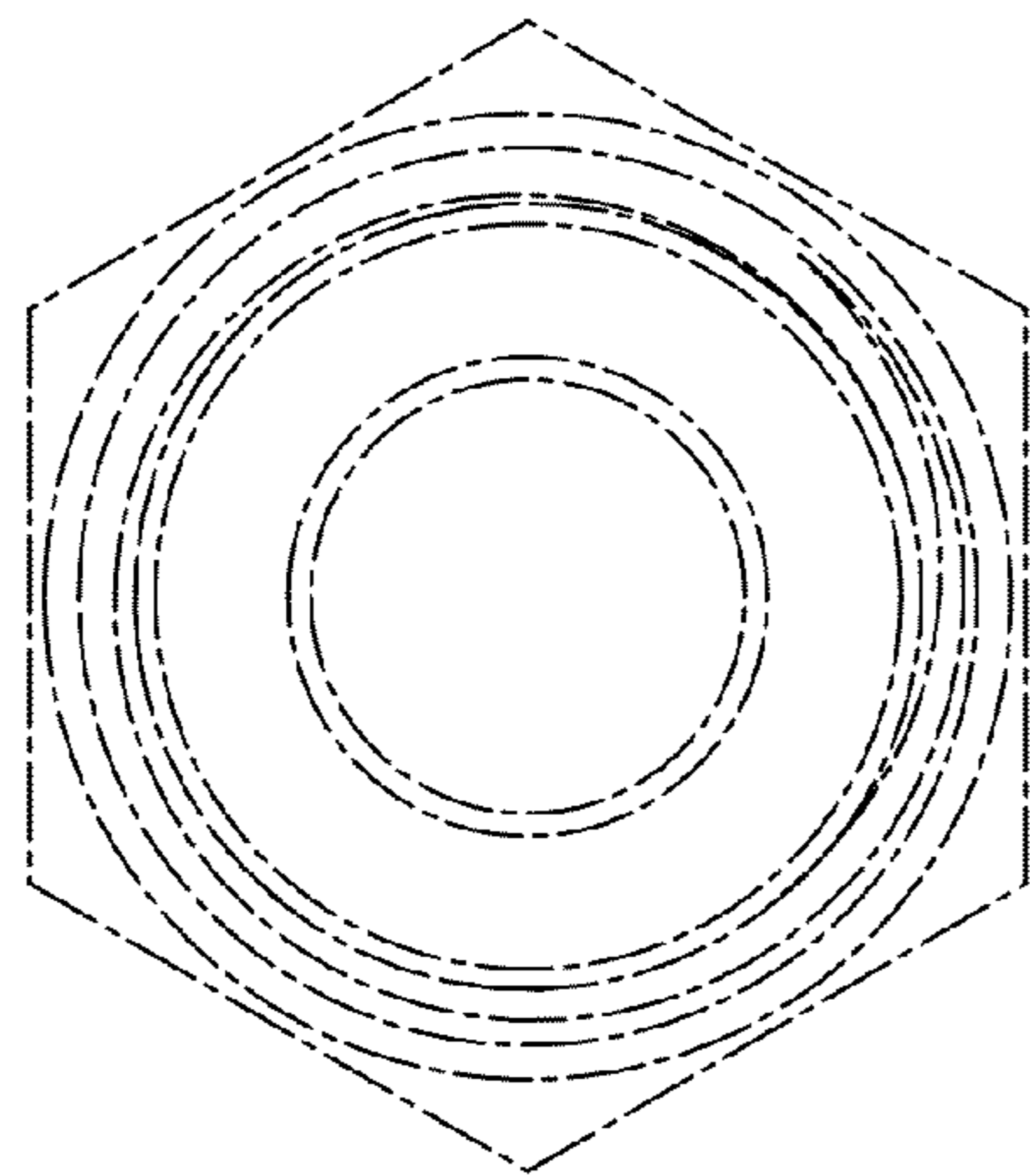


FIG. 2

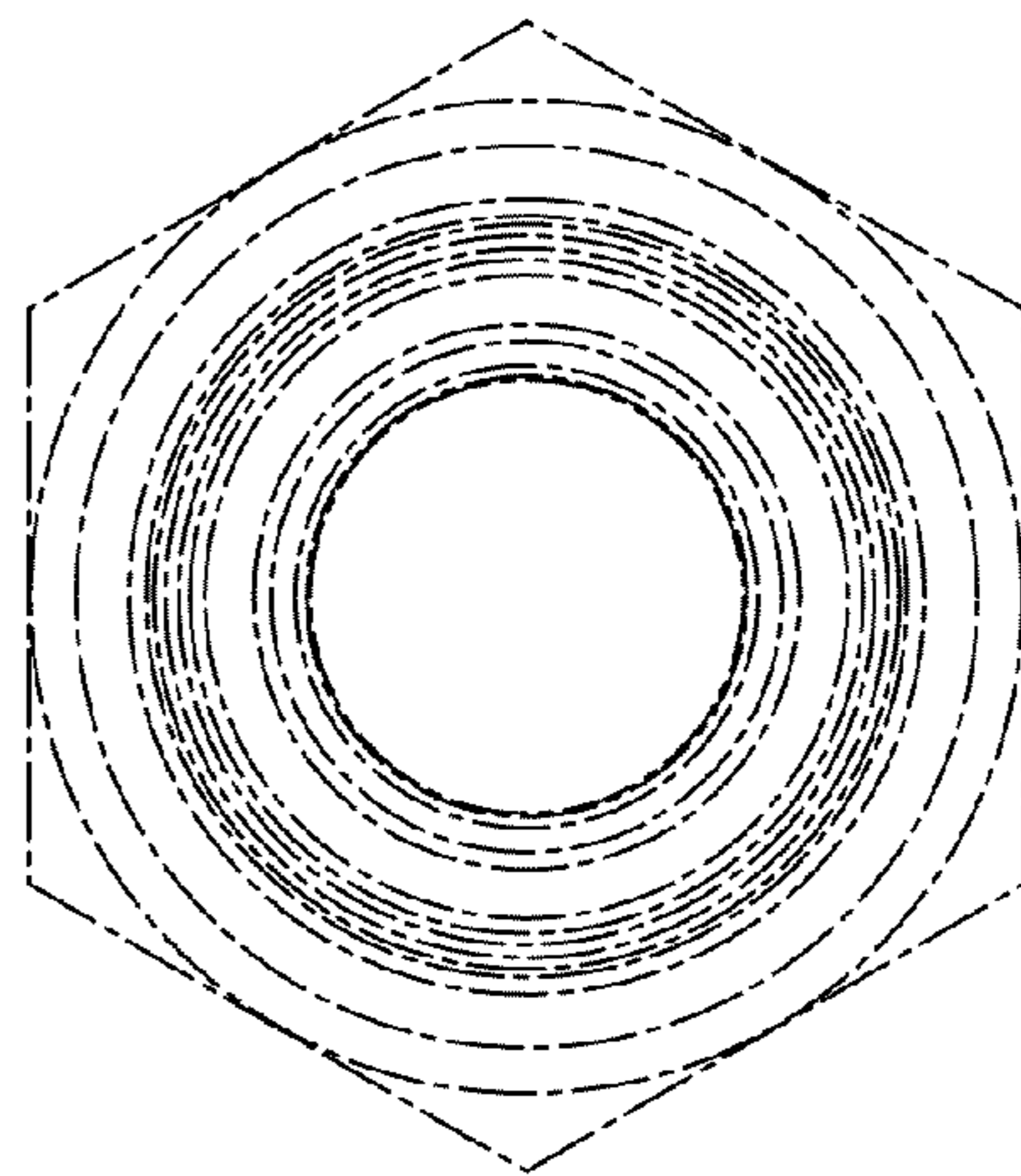


FIG. 3

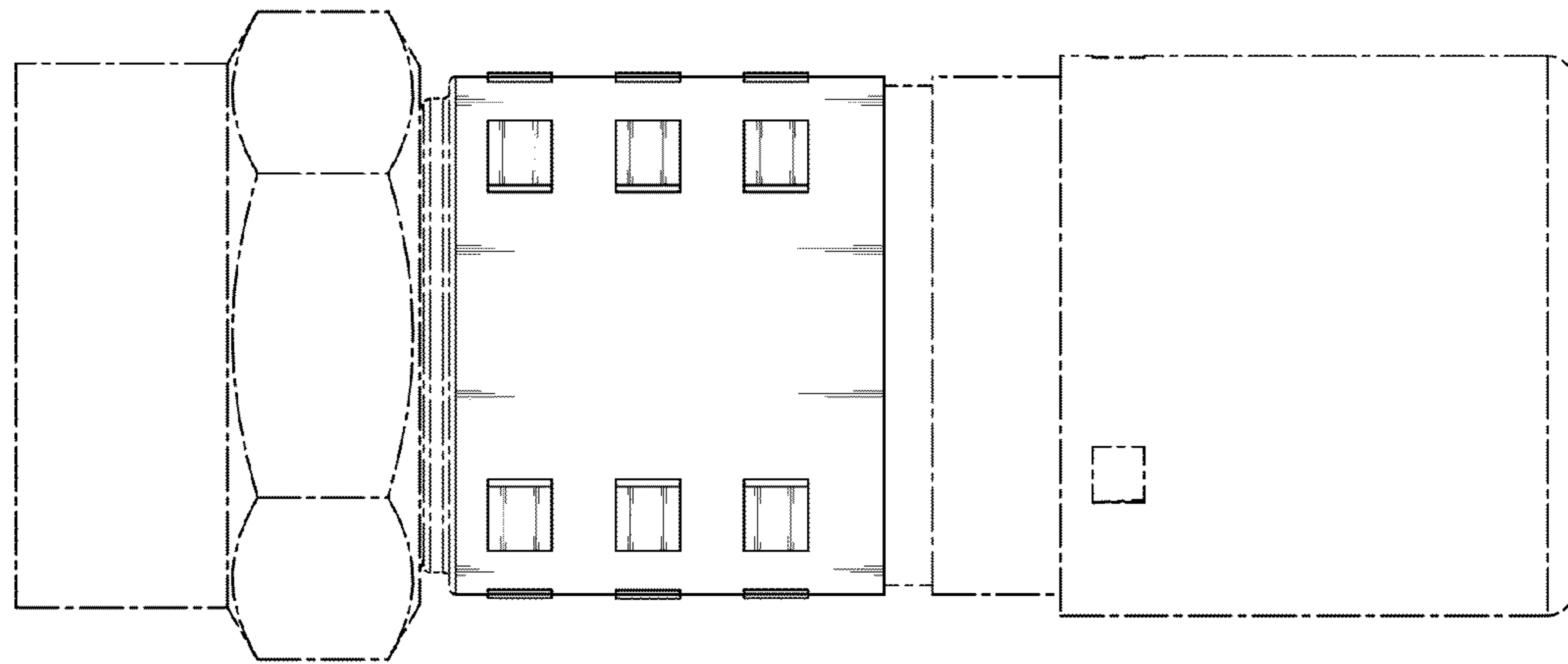


FIG. 4

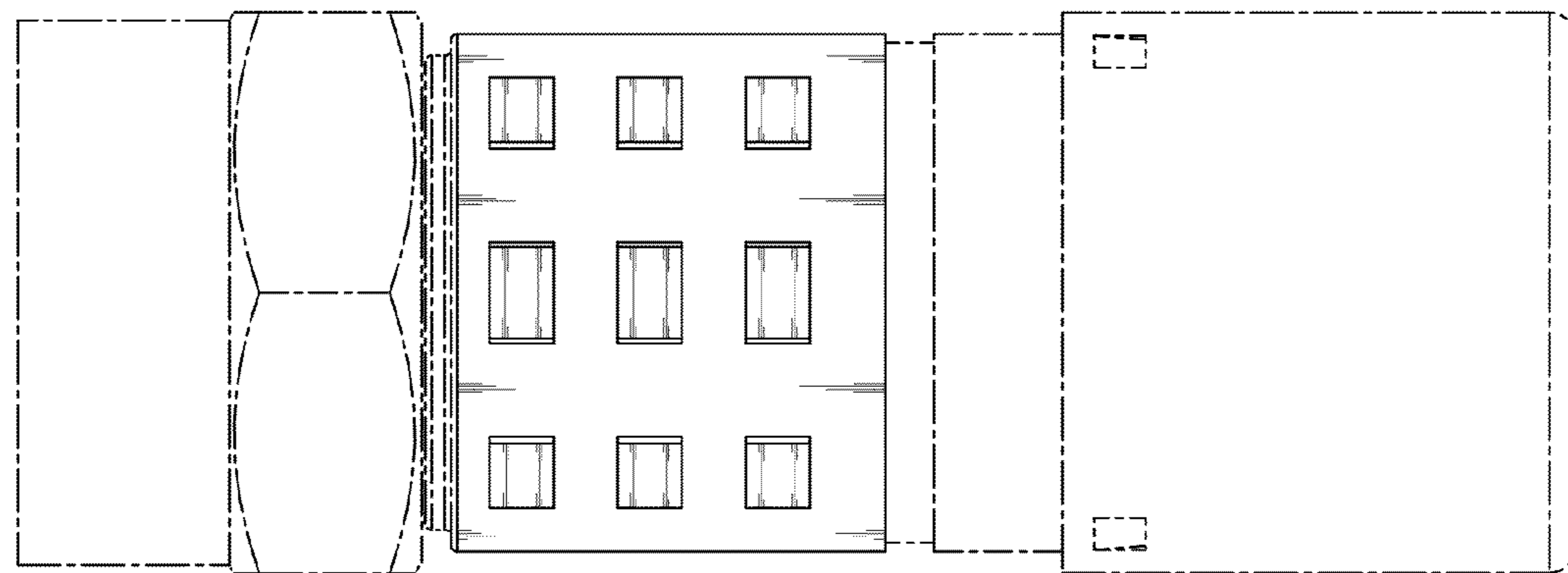


FIG. 5