



US00D680962S

(12) **United States Design Patent**  
**Lan**

(10) **Patent No.:** **US D680,962 S**

(45) **Date of Patent:** **\*\* Apr. 30, 2013**

(54) **RECEPTACLE CONNECTOR**

(71) Applicant: **Cheng Uei Precision Industry Co., Ltd.**, New Taipei (TW)

(72) Inventor: **Rong-Qin Lan**, New Taipei (TW)

(73) Assignee: **Cheng Uei Precision Industry Co., Ltd.**, New Taipei (TW)

(\*\*) Term: **14 Years**

(21) Appl. No.: **29/435,364**

(22) Filed: **Oct. 23, 2012**

(51) **LOC (9) Cl.** ..... **13-03**

(52) **U.S. Cl.**  
USPC ..... **D13/147**

(58) **Field of Classification Search** ..... D13/147,  
D13/154, 184, 199; 439/79, 108, 350, 353,  
439/357, 358, 378, 447, 578, 567, 595, 607.01,  
439/607.04, 607.05, 607.17, 607.25, 607.34,  
439/607.41, 607.53, 660, 668, 677, 680-682,  
439/686

See application file for complete search history.

(56) **References Cited**

**U.S. PATENT DOCUMENTS**

D419,524 S \* 1/2000 Chiou et al. .... D13/147  
D446,772 S \* 8/2001 Chen et al. .... D13/147  
D446,773 S \* 8/2001 Yao et al. .... D13/147

D499,382 S \* 12/2004 Zhu et al. .... D13/147  
D500,988 S \* 1/2005 Moriwake et al. .... D13/147  
D585,829 S \* 2/2009 Ko et al. .... D13/147

\* cited by examiner

*Primary Examiner* — Daniel Bui

(74) *Attorney, Agent, or Firm* — Muncy, Geissler, Olds & Lowe, PLLC

(57) **CLAIM**

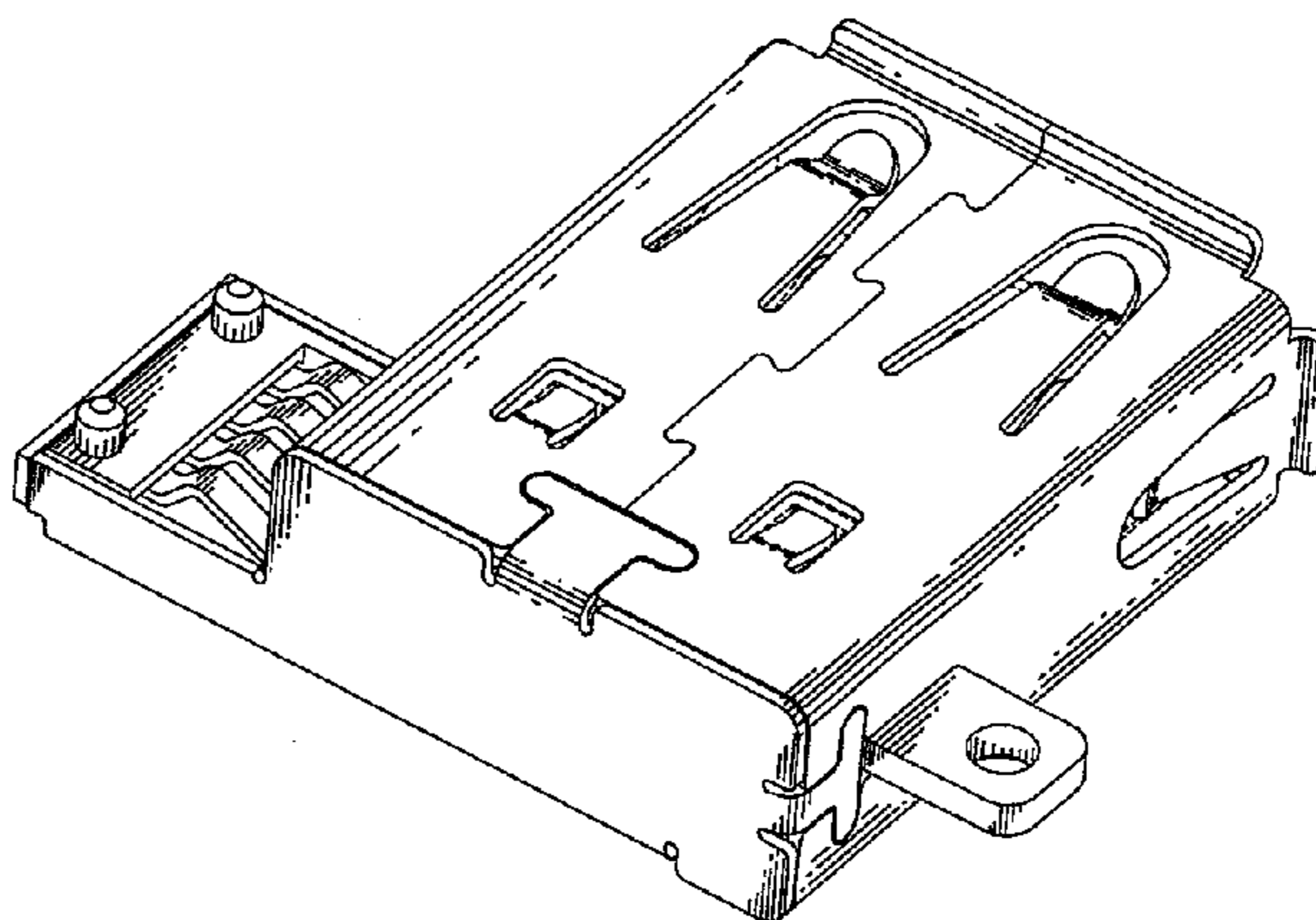
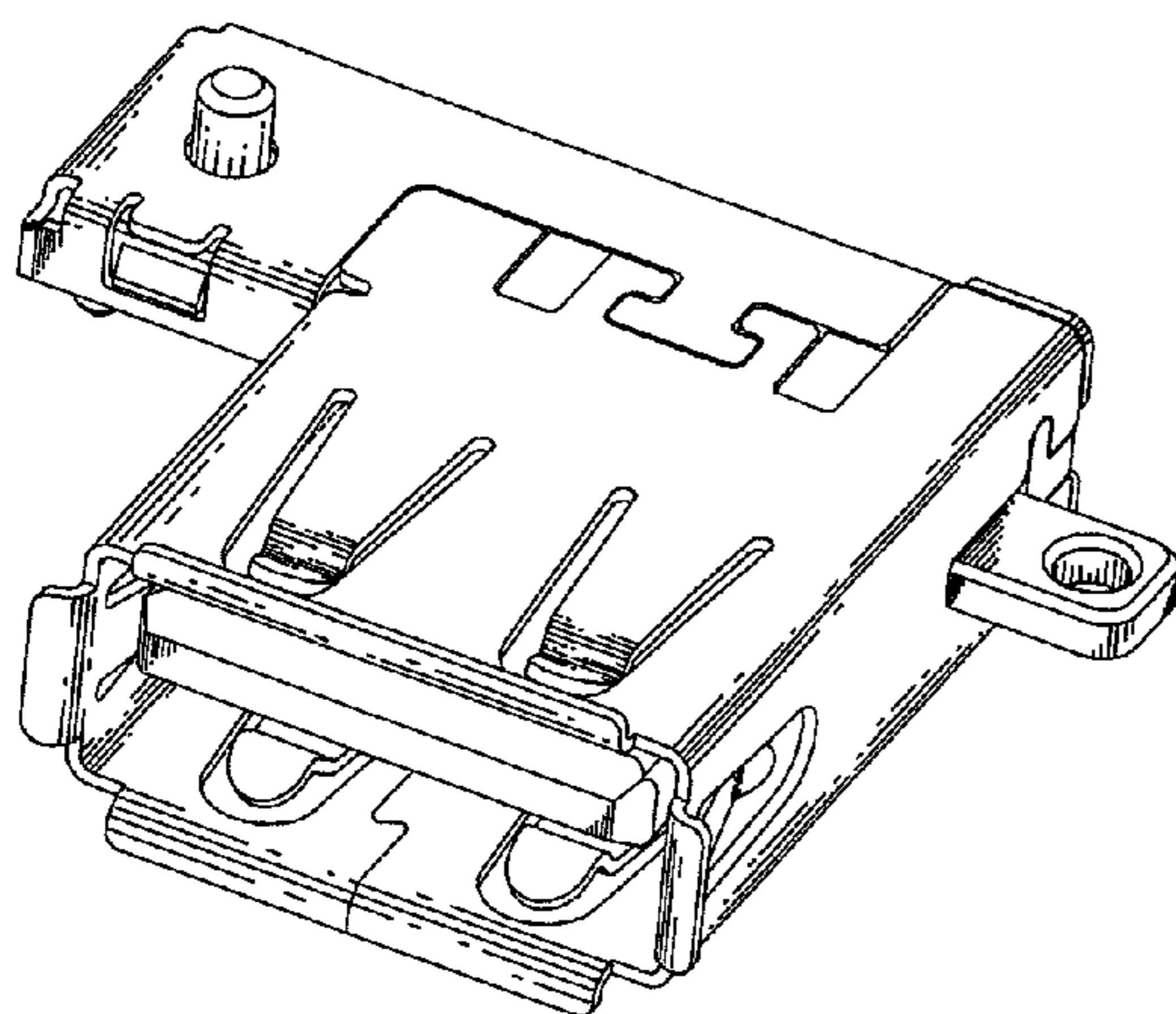
The ornamental design for a receptacle connector, as shown and described.

**DESCRIPTION**

FIG. 1 is a perspective view of a receptacle connector showing my new design;  
FIG. 2 is a front elevational view thereof;  
FIG. 3 is a rear elevational view thereof;  
FIG. 4 is a left side elevational view thereof;  
FIG. 5 is a right side elevational view thereof;  
FIG. 6 is a top plan view thereof;  
FIG. 7 is a bottom plan view thereof; and,  
FIG. 8 is another perspective view of the receptacle connector showing my new design.

The broken line portion of the figure drawings is included to show unclaimed subject matter only and forms no part of the claimed design.

**1 Claim, 8 Drawing Sheets**



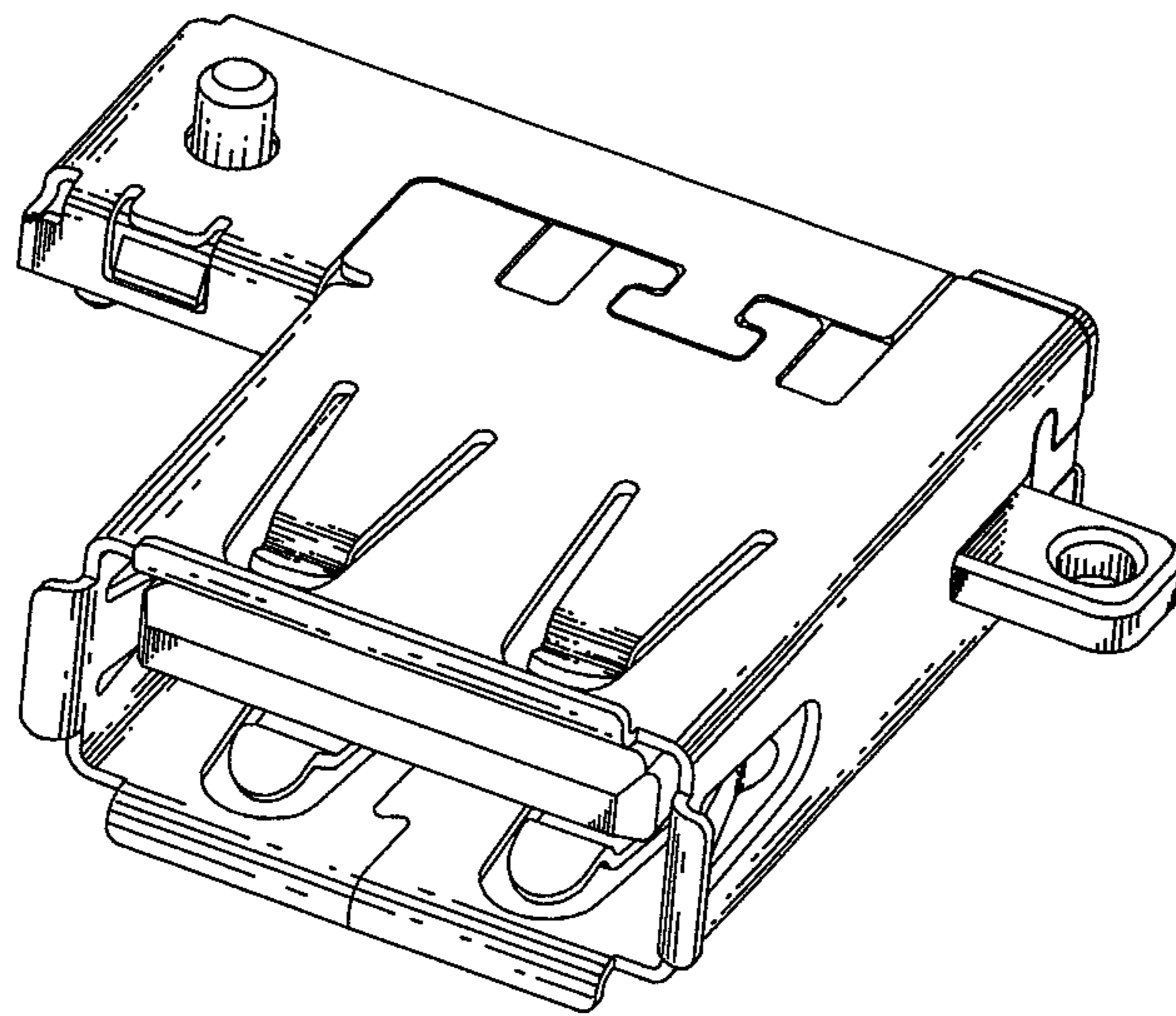


FIG. 1

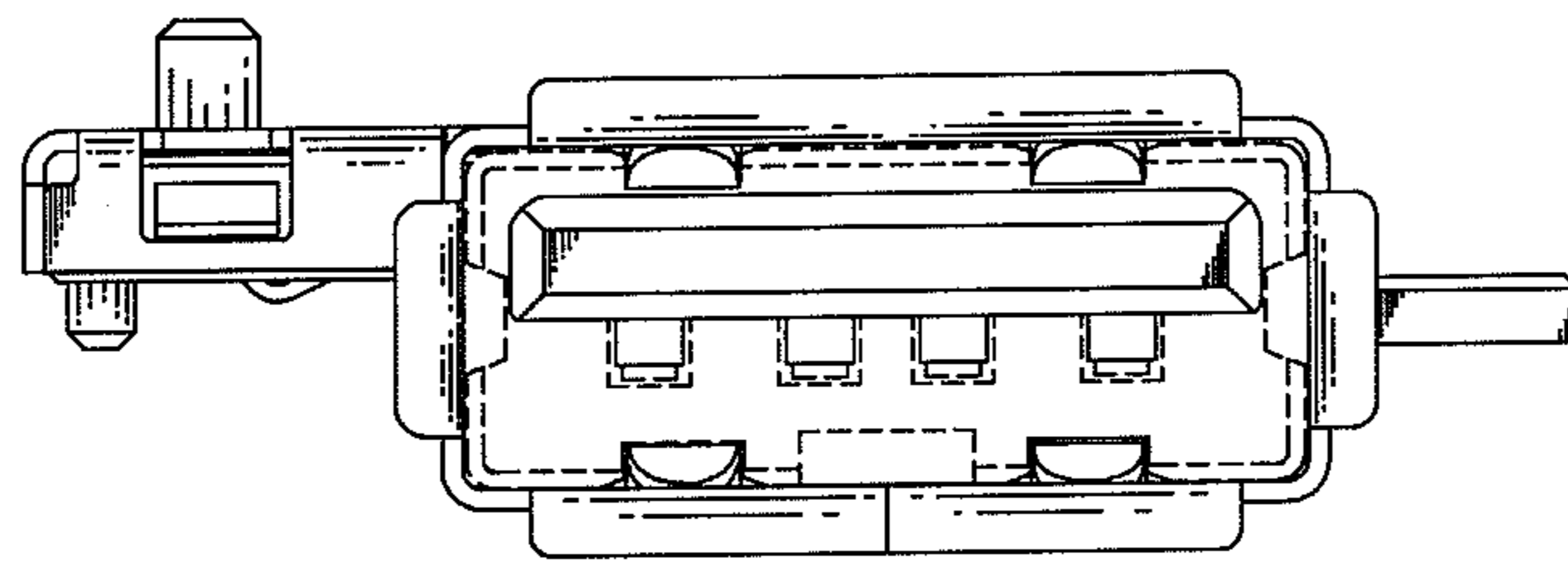


FIG. 2

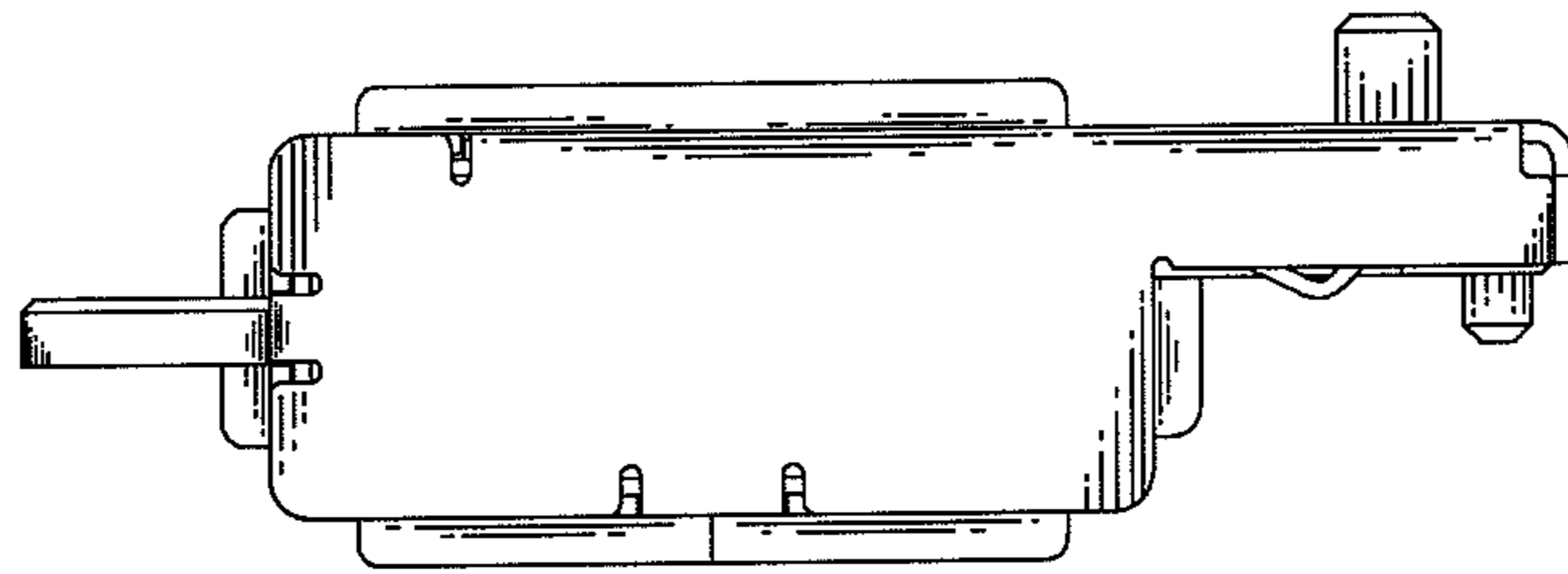


FIG. 3

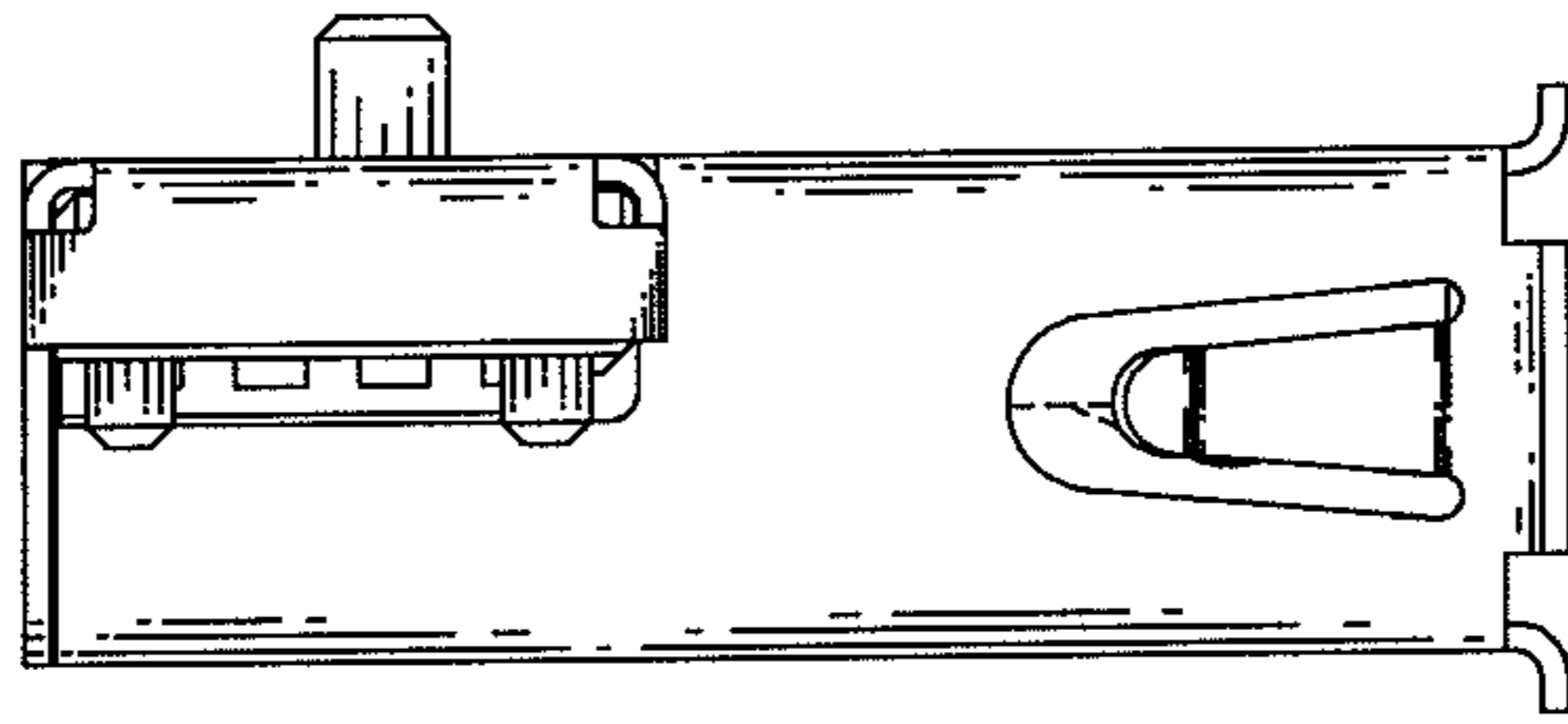


FIG. 4

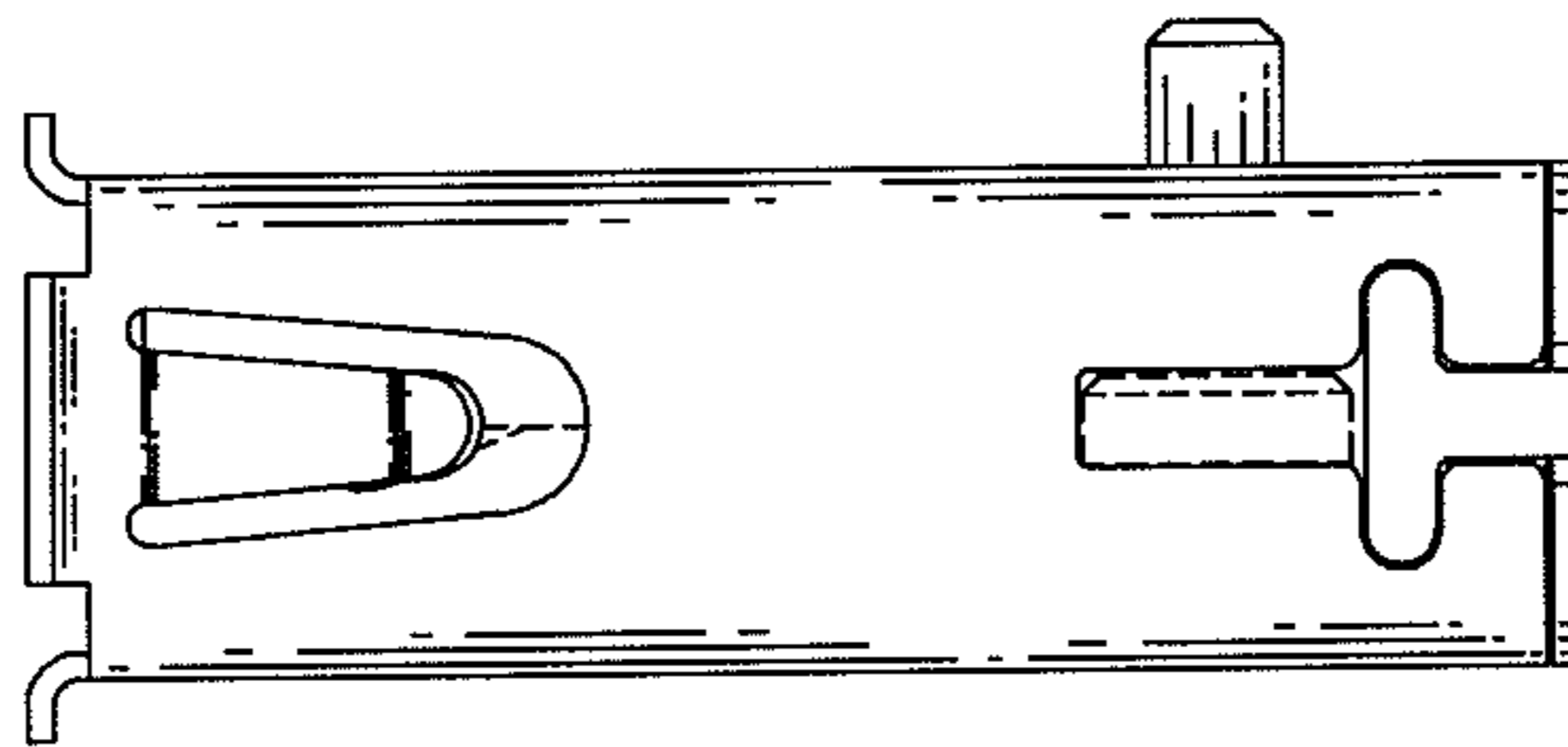


FIG. 5

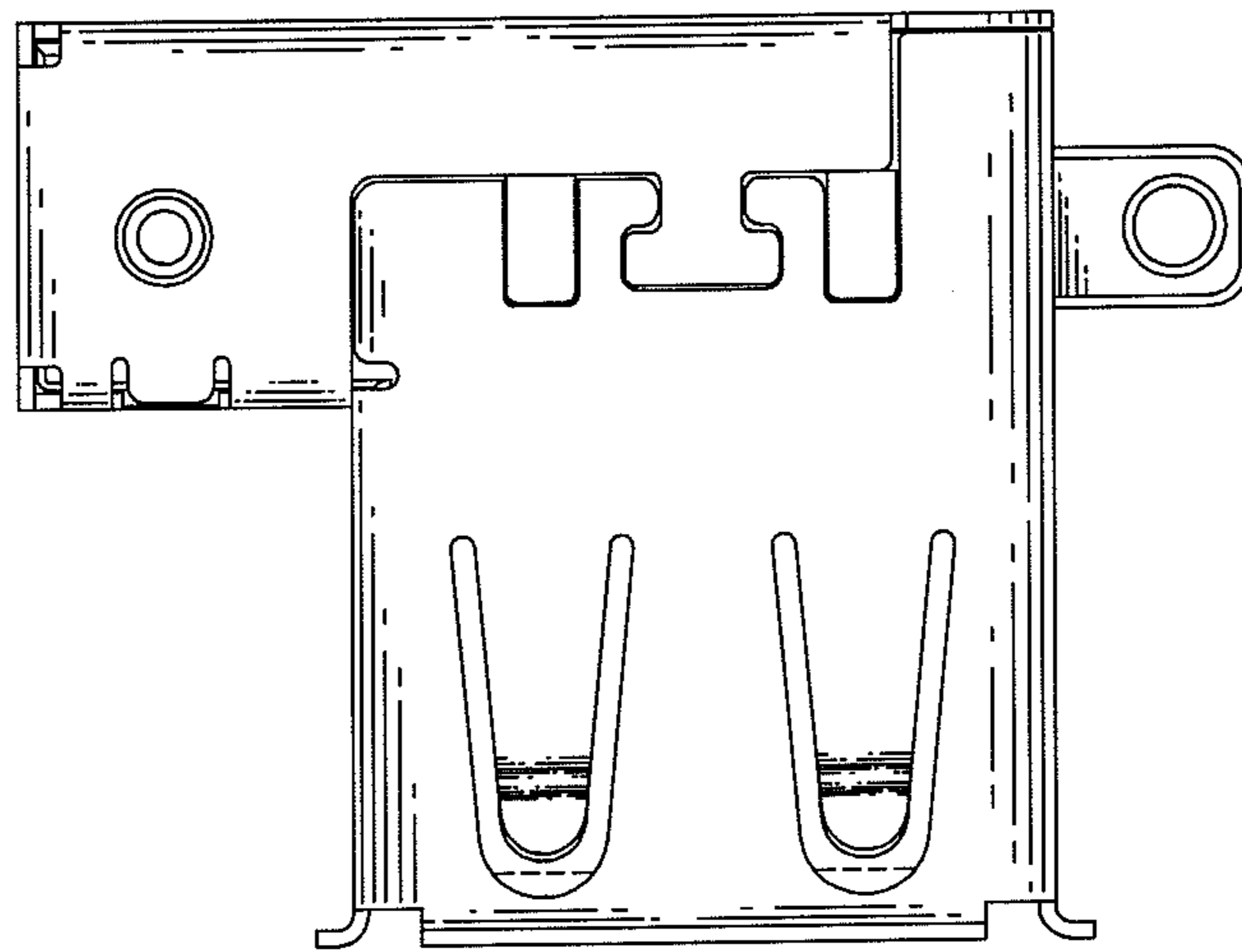


FIG. 6

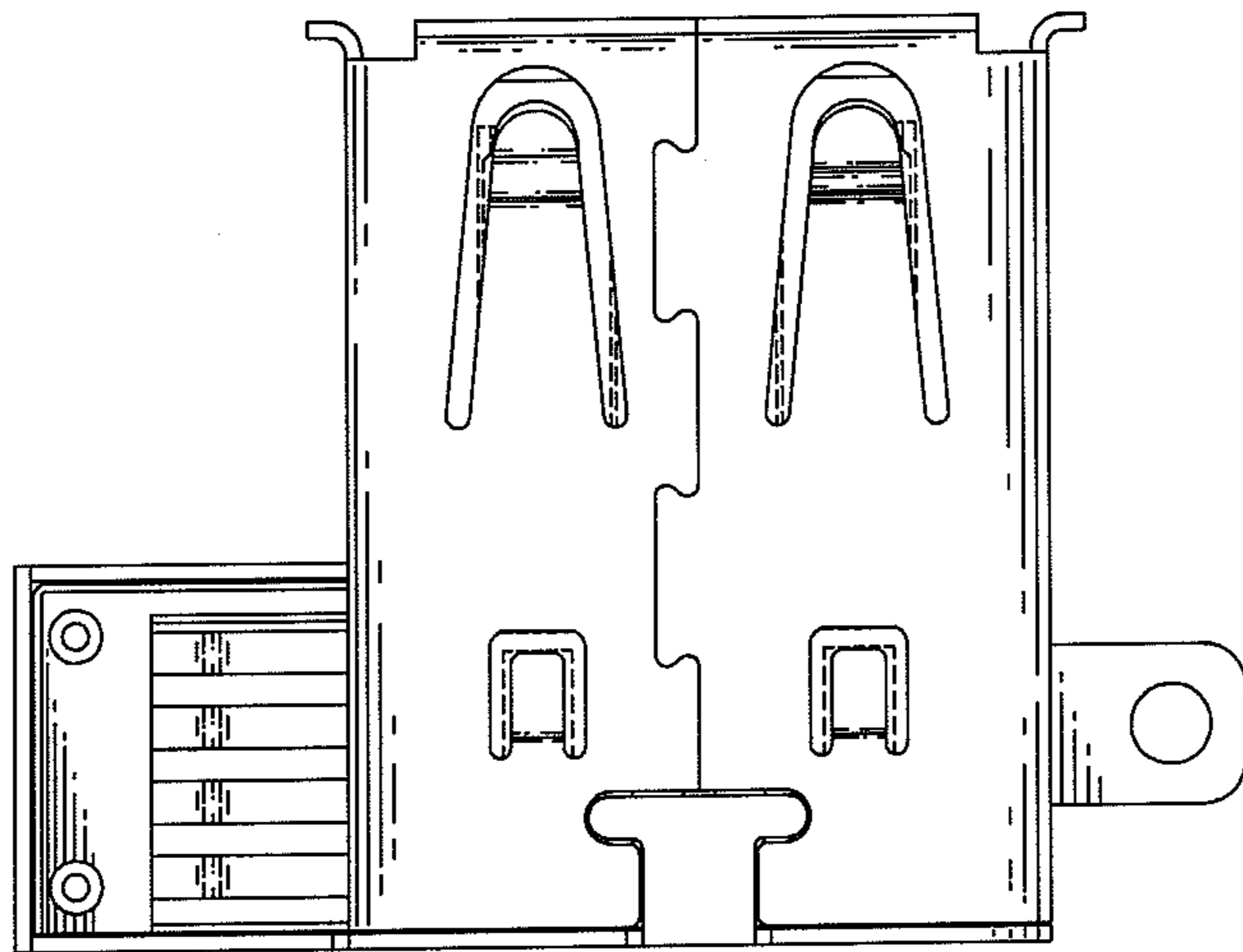


FIG. 7



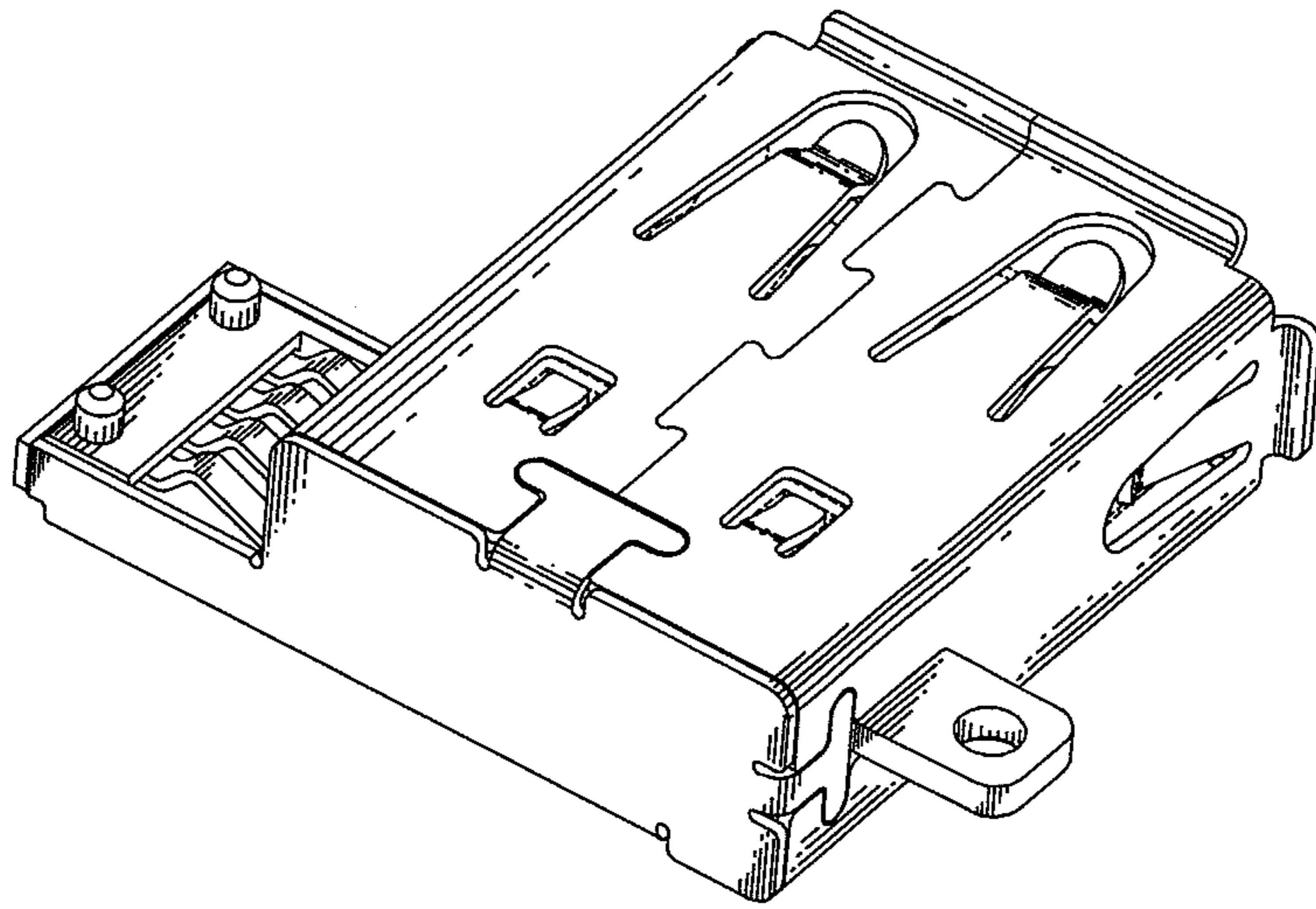


FIG. 8