



US00D680960S

(12) **United States Design Patent**
Xie et al.

(10) **Patent No.:** **US D680,960 S**

(45) **Date of Patent:** **** Apr. 30, 2013**

(54) **RECEPTACLE CONNECTOR**

(75) Inventors: **Bao-Geng Xie**, Guang-Dong (CN);
Wei-Hong Liao, Guang-Dong (CN);
Yin-Lung Wu, New Taipei (TW)

(73) Assignee: **Cheng Uei Precision Industry Co., Ltd.**, New Taipei (TW)

(**) Term: **14 Years**

(21) Appl. No.: **29/430,473**

(22) Filed: **Aug. 26, 2012**

(51) **LOC (9) Cl.** **13-03**

(52) **U.S. Cl.**
USPC **D13/147**

(58) **Field of Classification Search** D13/147,
D13/154, 184, 199; 439/79, 108, 378, 567,
439/607.01, 607.04, 607.05, 607.17, 607.25,
439/607.34, 607.41, 607.53, 660, 668, 680
See application file for complete search history.

(56) **References Cited**

U.S. PATENT DOCUMENTS

D618,622 S *	6/2010	Chiang et al.	D13/147
D618,623 S *	6/2010	Peng	D13/147
D618,624 S *	6/2010	Chiang	D13/147
D620,444 S *	7/2010	Liu et al.	D13/147
D620,445 S *	7/2010	Yang et al.	D13/147

D635,925 S *	4/2011	Liu et al.	D13/147
D653,622 S *	2/2012	Wang et al.	D13/147
D660,244 S *	5/2012	Yudate	D13/147
D664,925 S *	8/2012	Yudate	D13/147
D664,926 S *	8/2012	Yudate	D13/147

* cited by examiner

Primary Examiner — Daniel Bui

(74) *Attorney, Agent, or Firm* — Cheng-Ju Chiang

(57) **CLAIM**

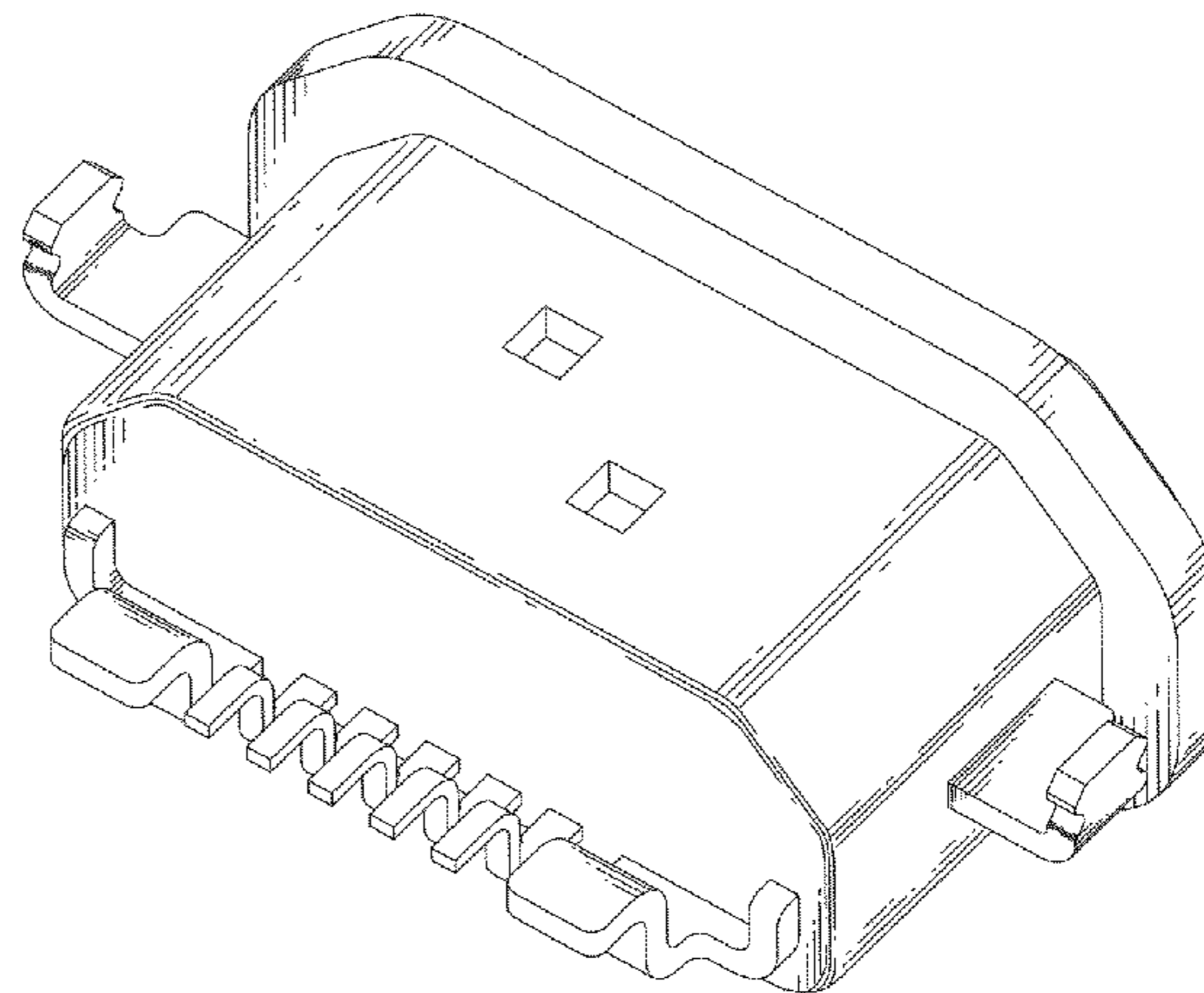
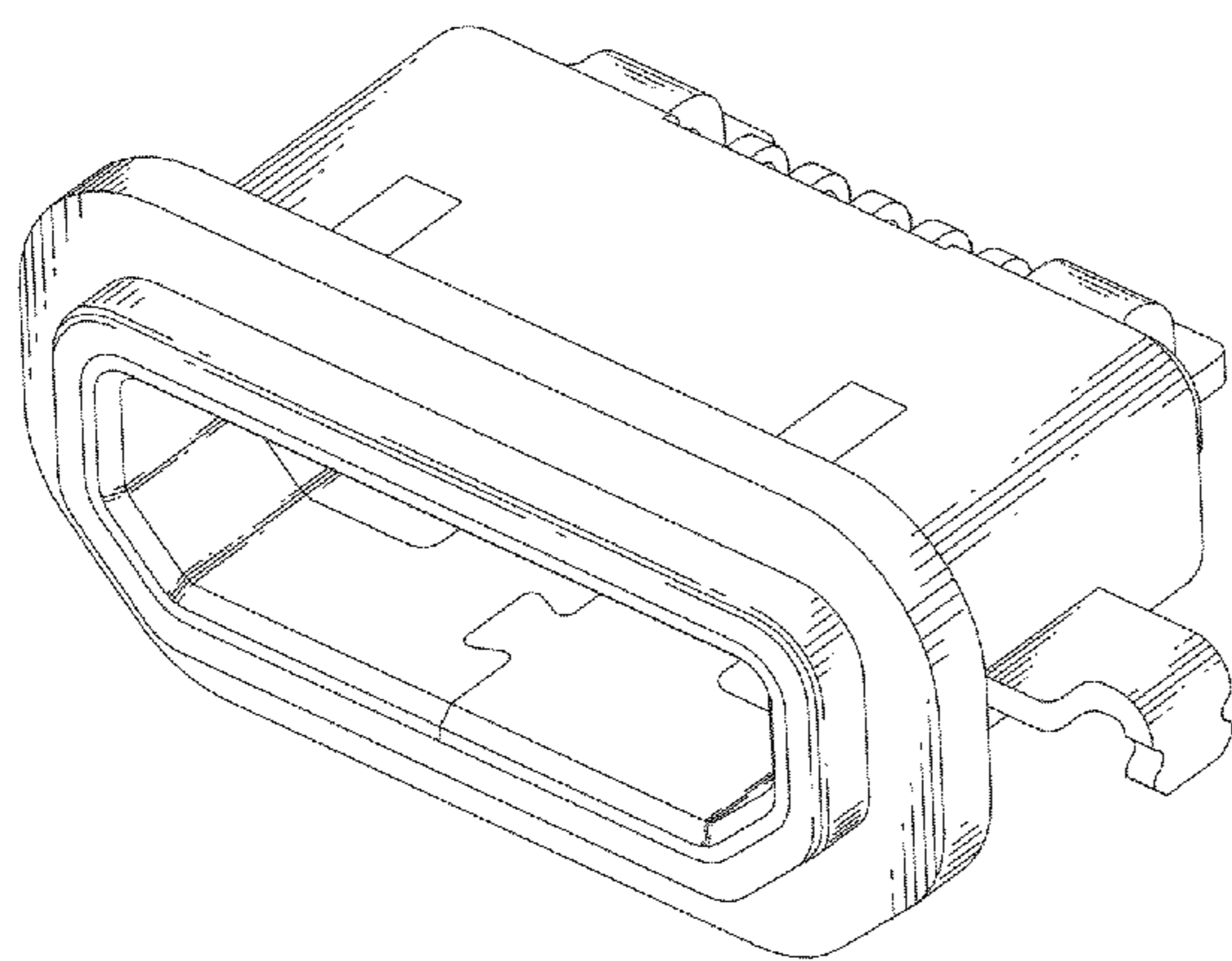
The ornamental design for a receptacle connector, as shown and described.

DESCRIPTION

FIG. 1 is a perspective view of a receptacle connector showing our new design;
FIG. 2 is a front elevational view thereof;
FIG. 3 is a rear elevational view thereof;
FIG. 4 is a left side elevational view thereof;
FIG. 5 is a right side elevational view thereof;
FIG. 6 is a top plan view thereof;
FIG. 7 is a bottom plan view thereof; and,
FIG. 8 is another perspective view of the receptacle connector showing our new design.

The broken line portion of the figure drawings is included to show unclaimed subject matter only and forms no part of the claimed design.

1 Claim, 8 Drawing Sheets



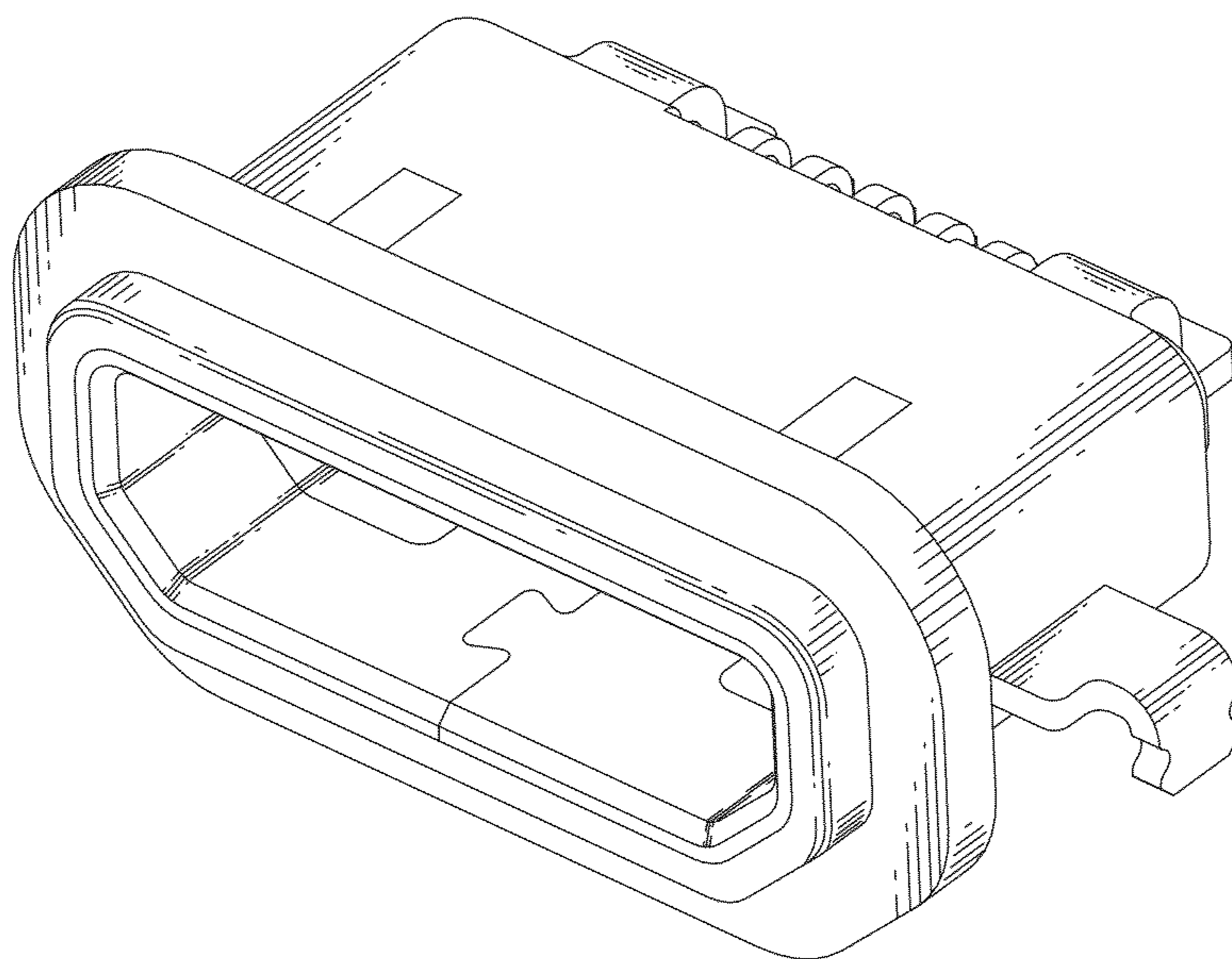


FIG. 1

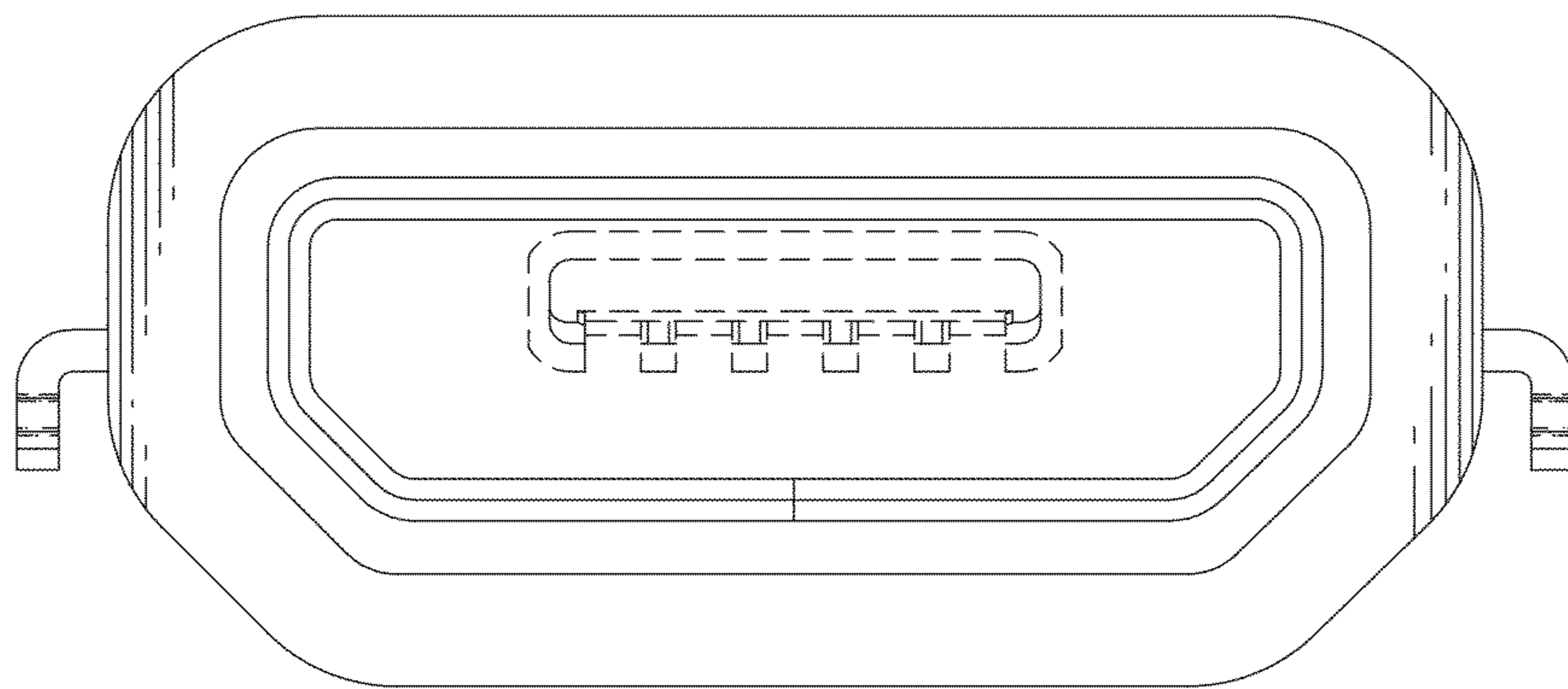


FIG. 2

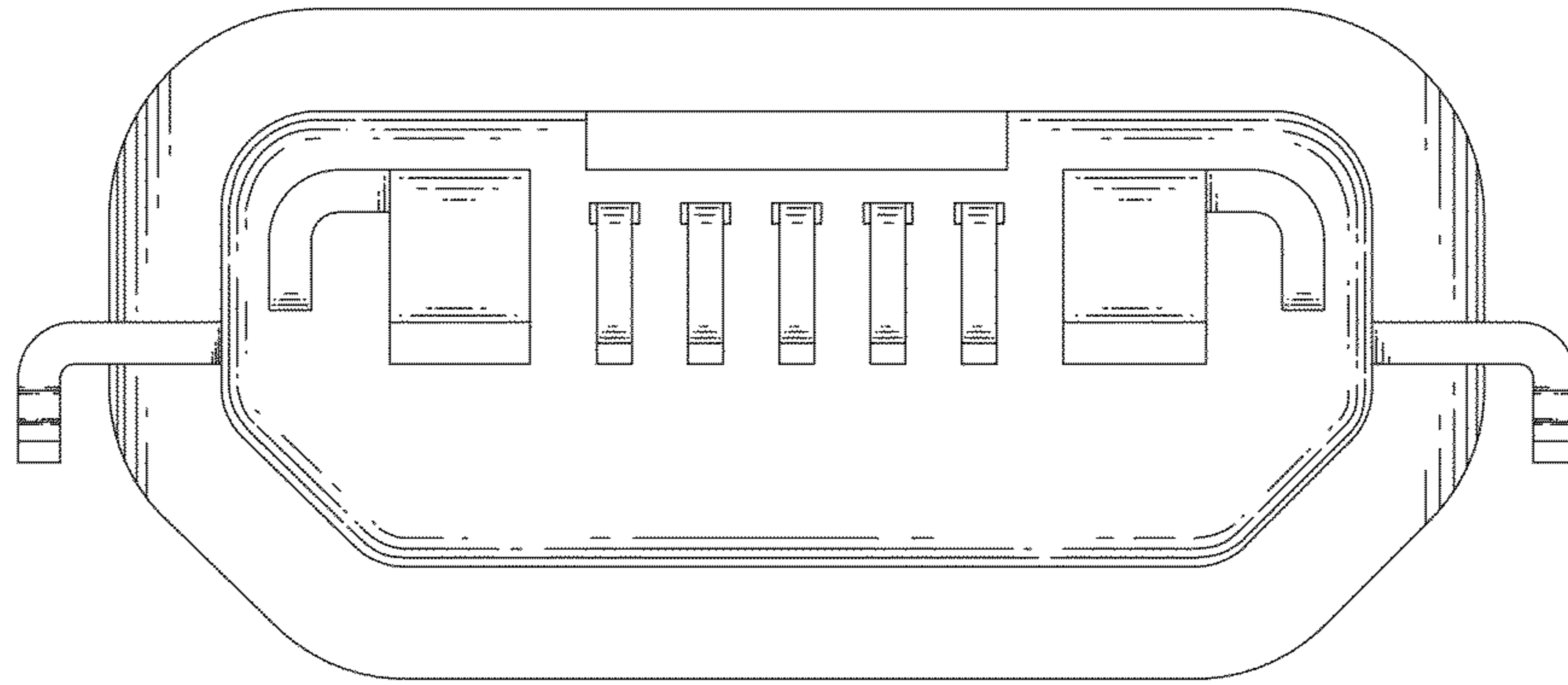


FIG. 3

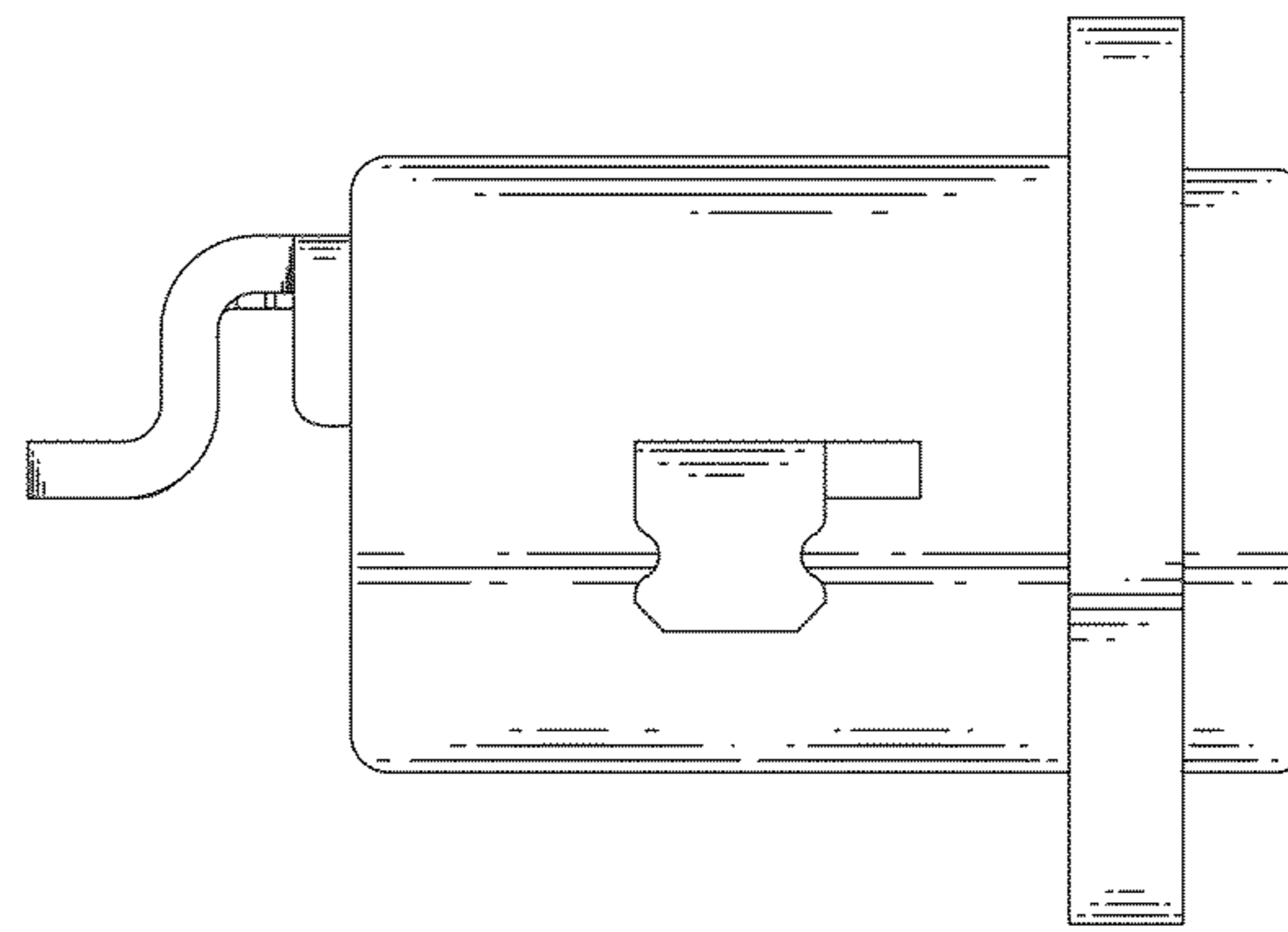


FIG. 4

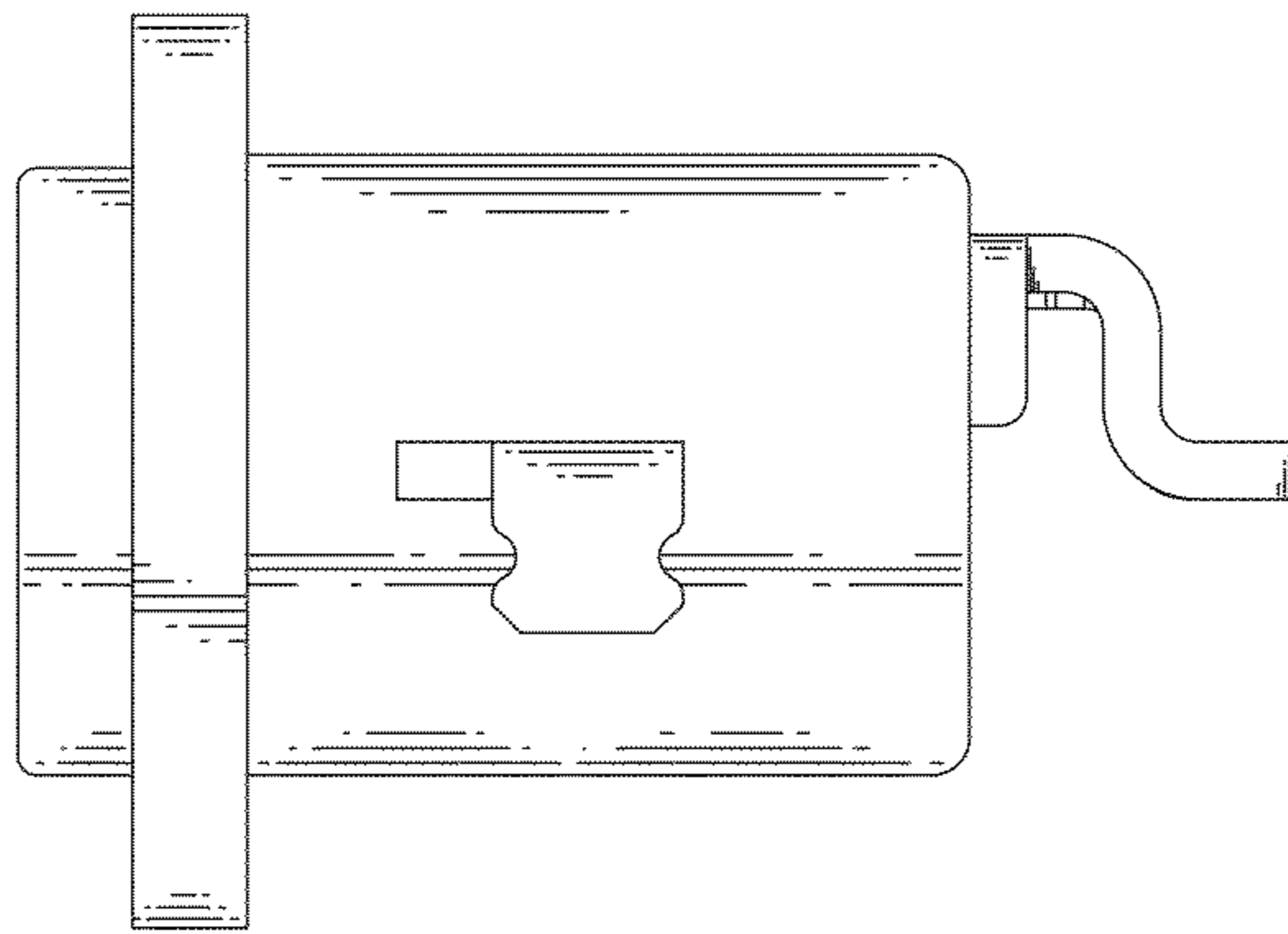


FIG. 5

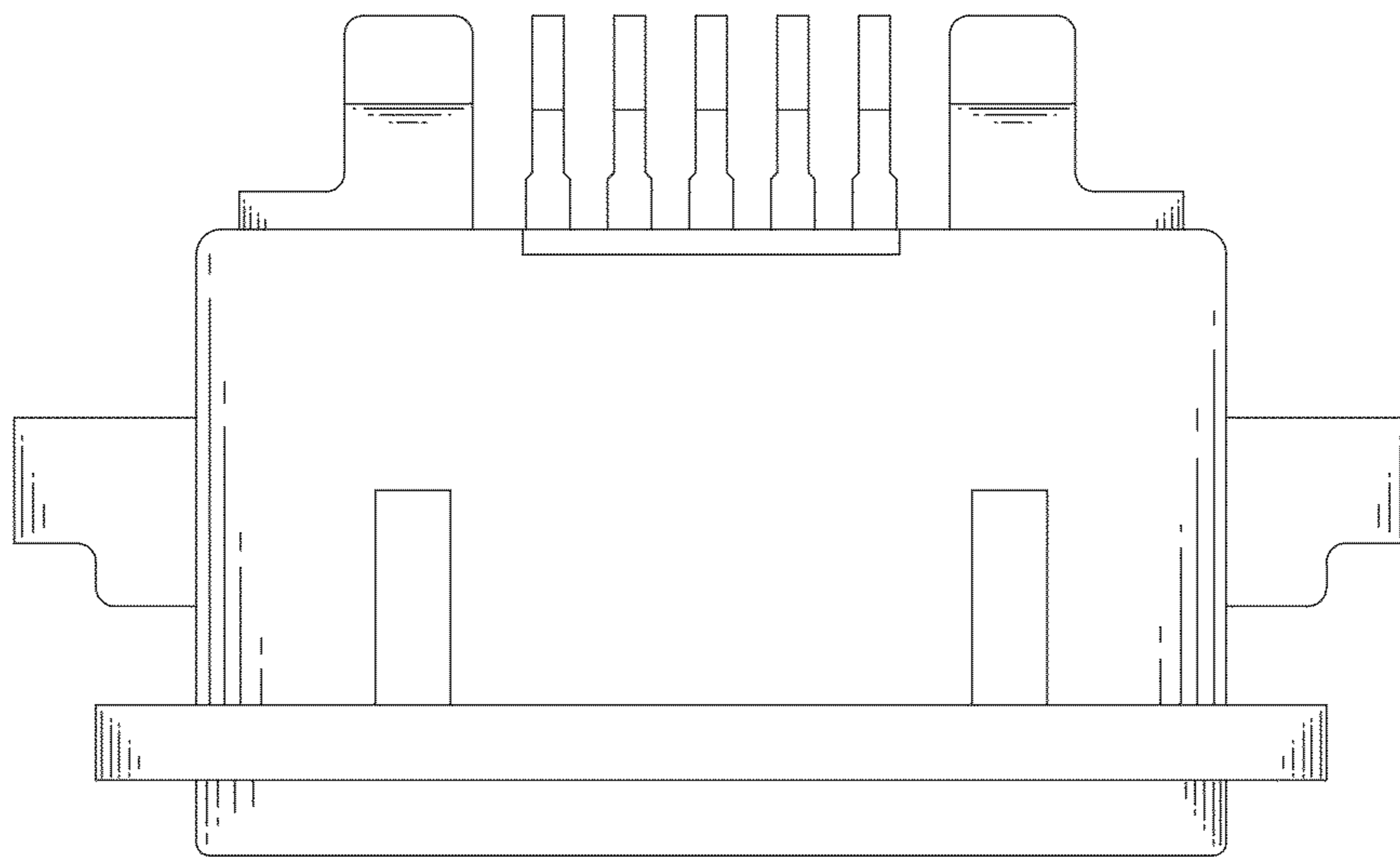


FIG. 6

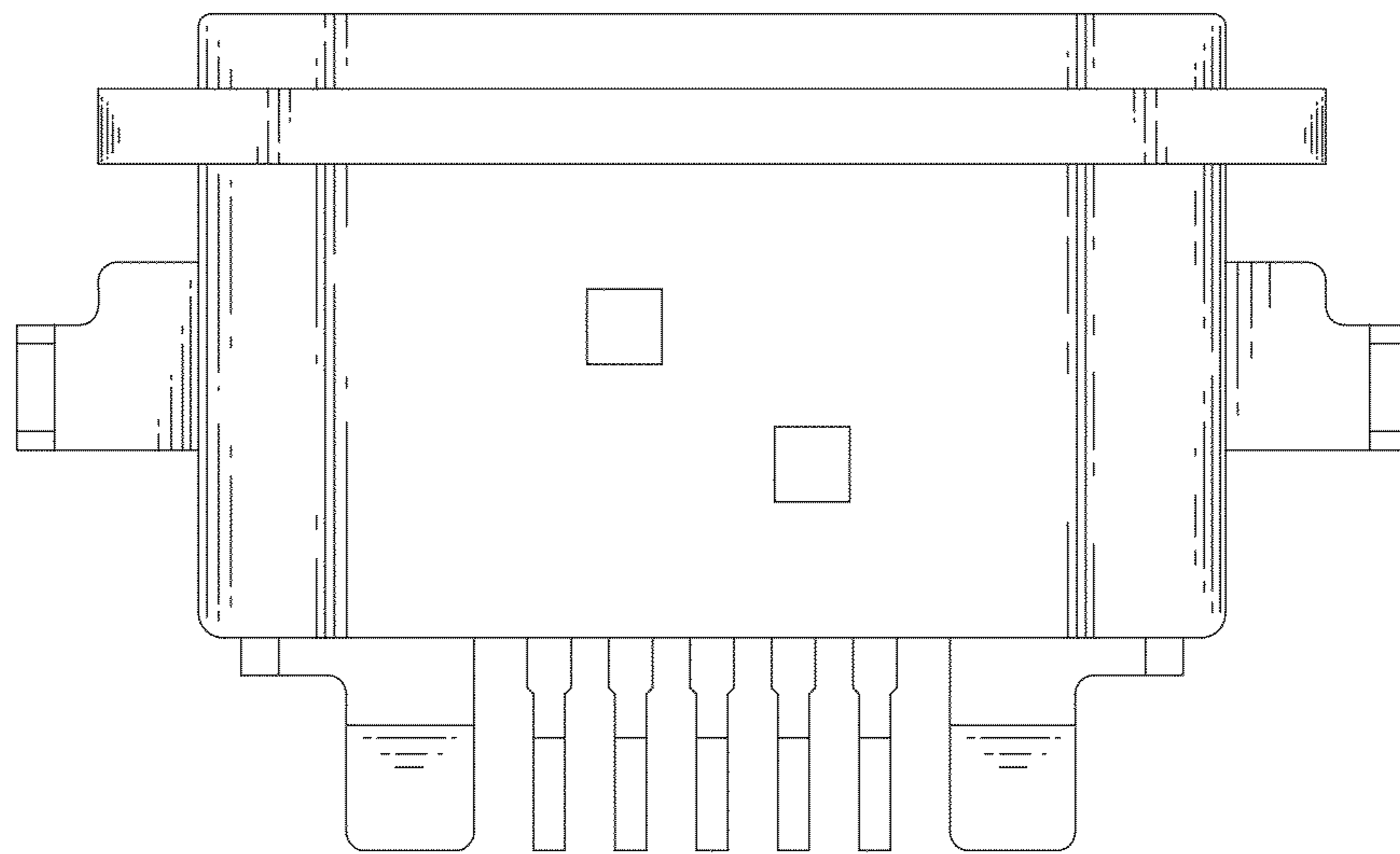


FIG. 7

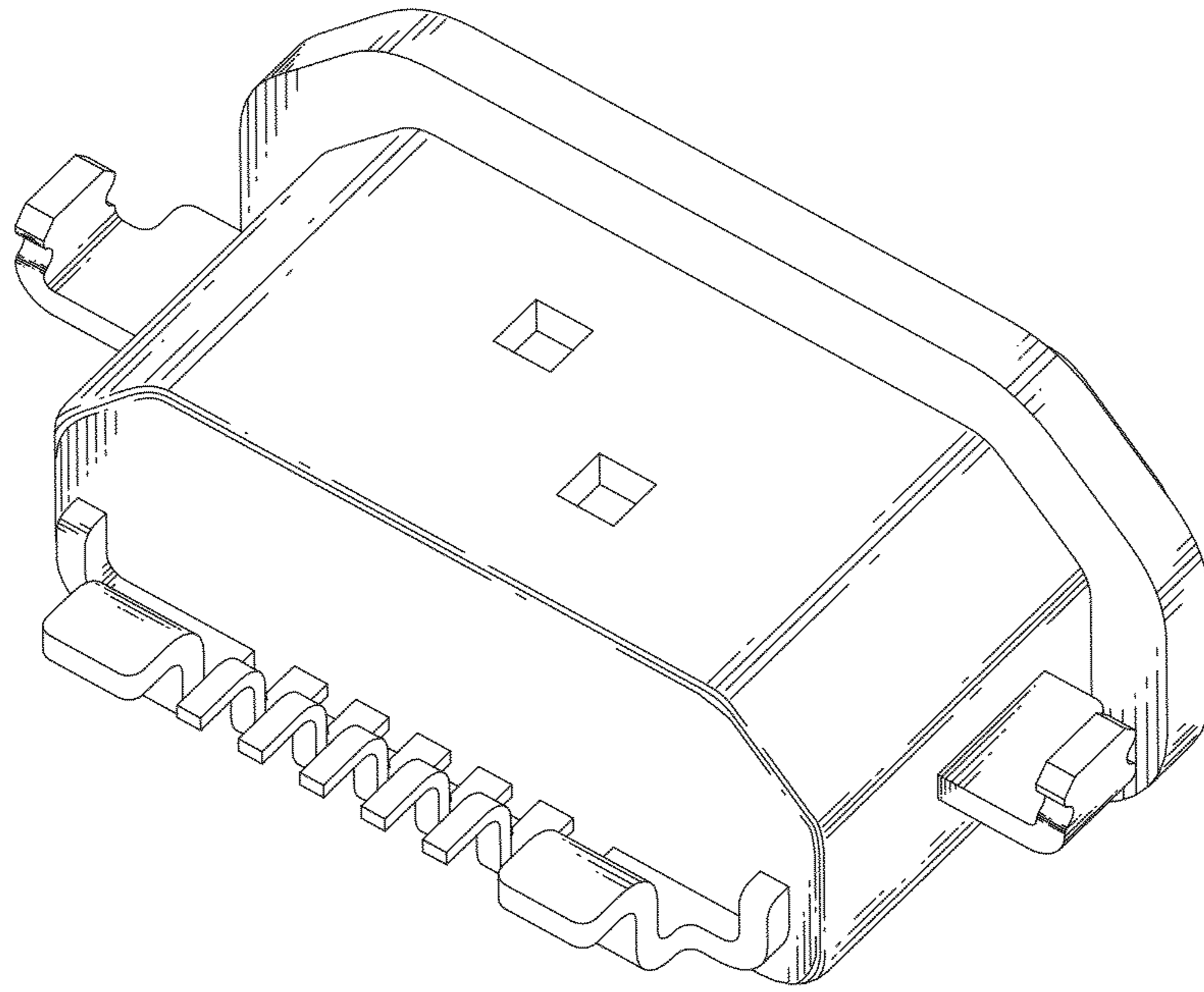


FIG. 8